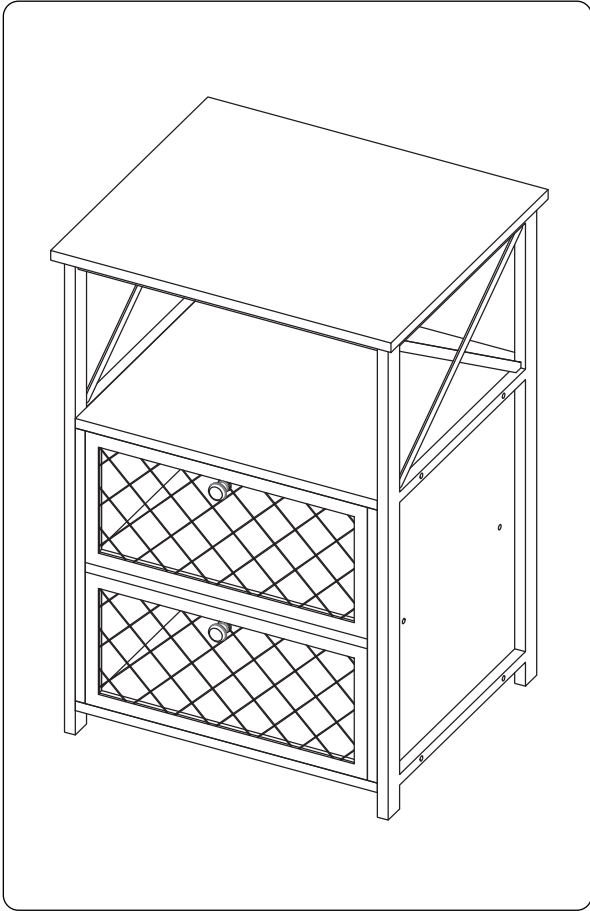
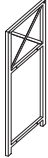

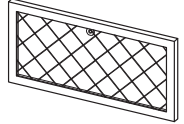
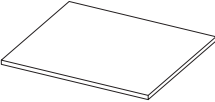

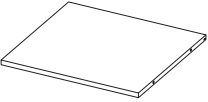
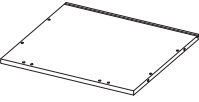
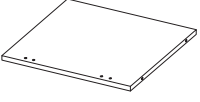
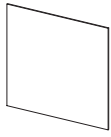
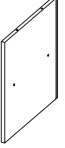


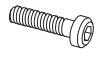




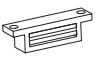
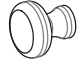
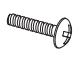

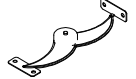
# Assembly Instructions



## Componets

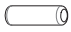


① x2 	② x2 	③ x2 	
④ x1 	⑤ x1 	⑥ x1 	
⑦ x1 	⑧ x1 	⑨ x1 	⑩ x1 

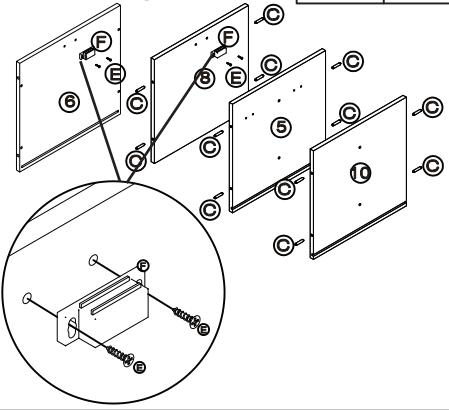
## Screws & tools

Ⓐ x8 	Ⓑ x8 	Ⓒ x12 	Ⓓ x12 	Ⓔ x4 
Ⓕ x2 	Ⓖ x2 	Ⓗ x6 	Ⓘ x1 	Ⓙ x2 

**1**

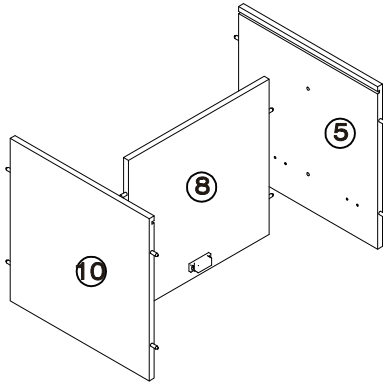
Assembly ⑧、⑤ & ⑩  
Assembly ①

	Cx12
	Ex4
	Fx2



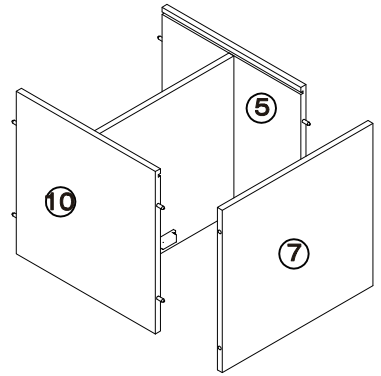
**2**

Connect ⑧、⑤ & ⑩



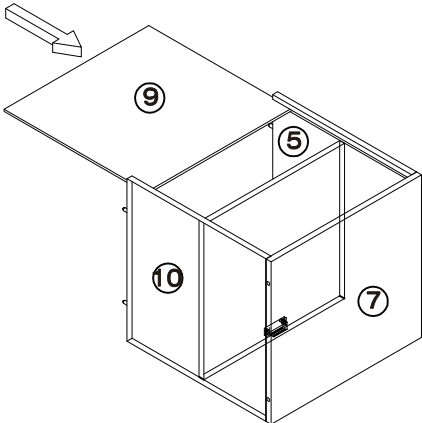
**3**

Connect ⑤、⑩ & ⑦



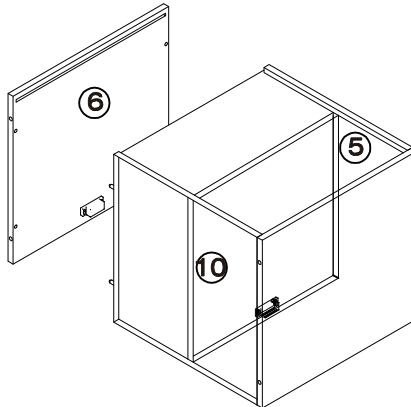
**4**

Assembly ⑨ & ⑦



**5**

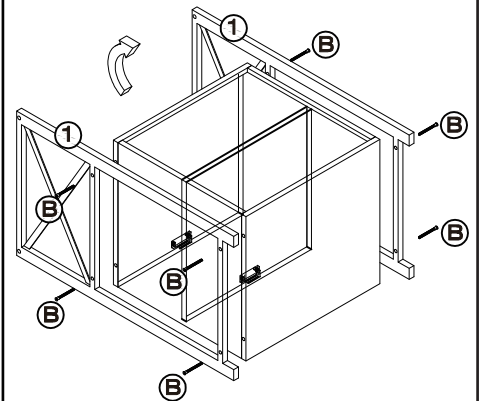
Connect ⑥、⑤ & ⑩



**6**

Connect ①、⑥ & ⑦

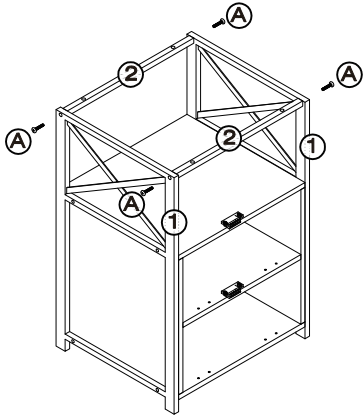
	Bx8
---	-----



**7**

Connect ② & ①

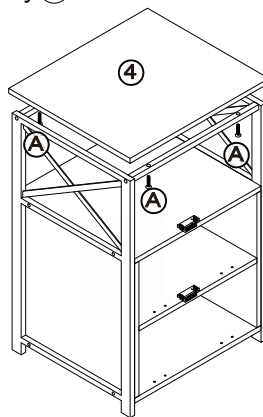
	Ax4
---	-----



**8**




Assembly ④

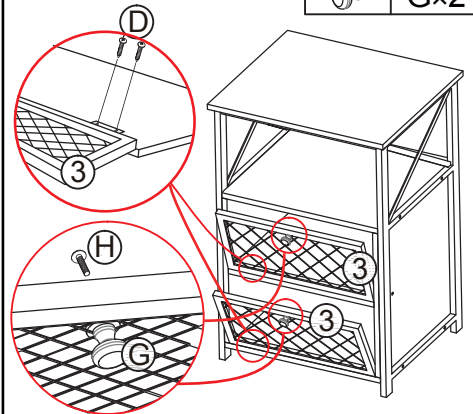
	Ax4
---	-----



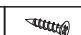


**9**

Assembly ③ & ⑥

	Dx8
	Hx2
	Gx2



**10** Assembly ③ & ①

	Dx4
	Jx2
	Hx4

