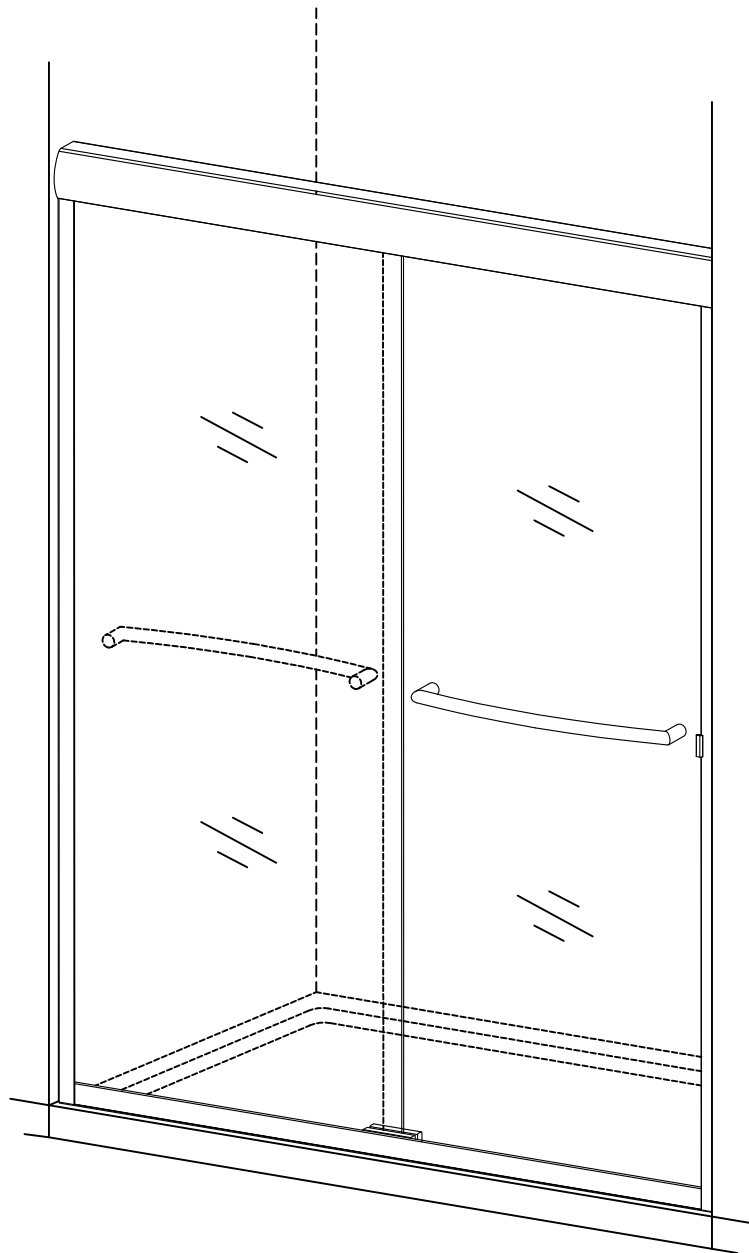
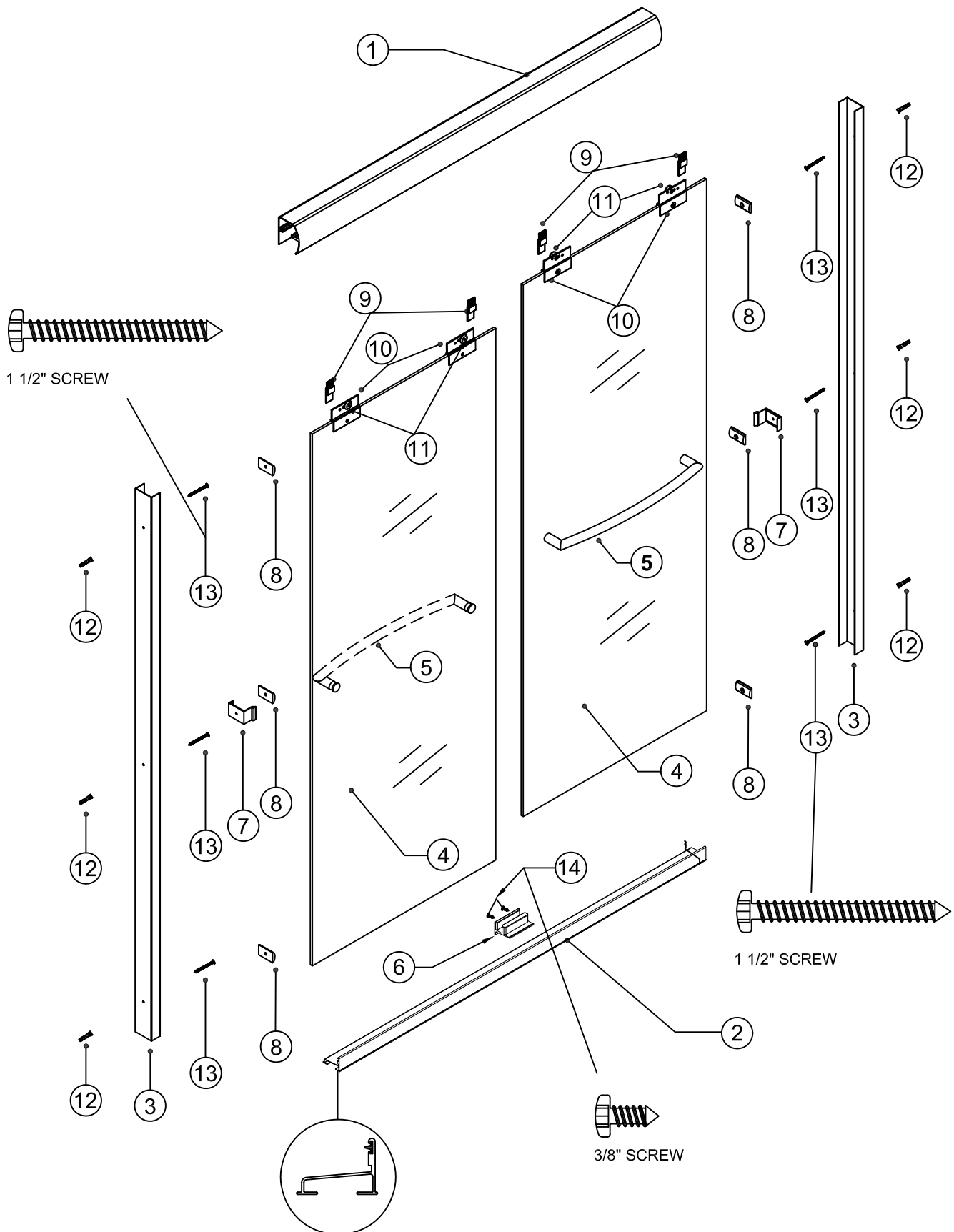


READ THE INSTRUCTIONS CAREFULLY, familiarize yourself with all the parts as shown in the exploded view. The exploded view will also provide a helpful reference when relating to the location of the various parts and how they are mounted.

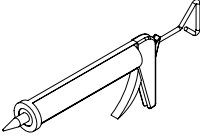
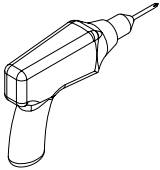
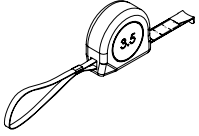
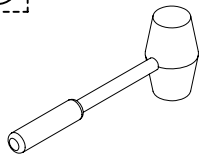
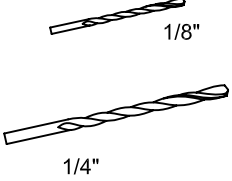
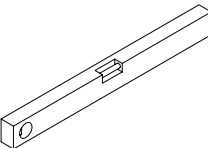
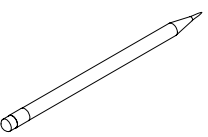
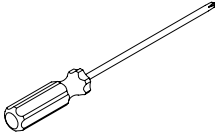
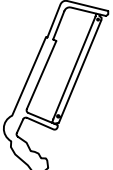





## PARTS LIST.

				
TOP TRACK (1 pcs)	BOTTOM TRACK (1 pcs)	WALL JAMB (2 pcs)	DOOR PANEL ( Outside / Inside )	TOWEL BAR (2 pcs)
				
PANEL GUIDE (1 pcs)	BUMPER GUIDE (2 pcs)	WALL BUMPER (6 pcs)	SAFE SLIDER CLIP (4 pcs)	GLASS HANGER (4 pcs)
				
ROLLER (4 pcs)	WALL PLUG (6 pcs)	1 1/2" SCREW (6pcs)	3/8" SCREW (2 pcs)	TOWEL BAR WRENCH (2 3/8" LONG 1 pcs)
	<p style="text-align: center;"><b>WARNING: Safety glasses should always be worn when working with tempered glass</b></p>			
SAFE SLIDER INSTALL ROD (4" LONG 1 pcs)				

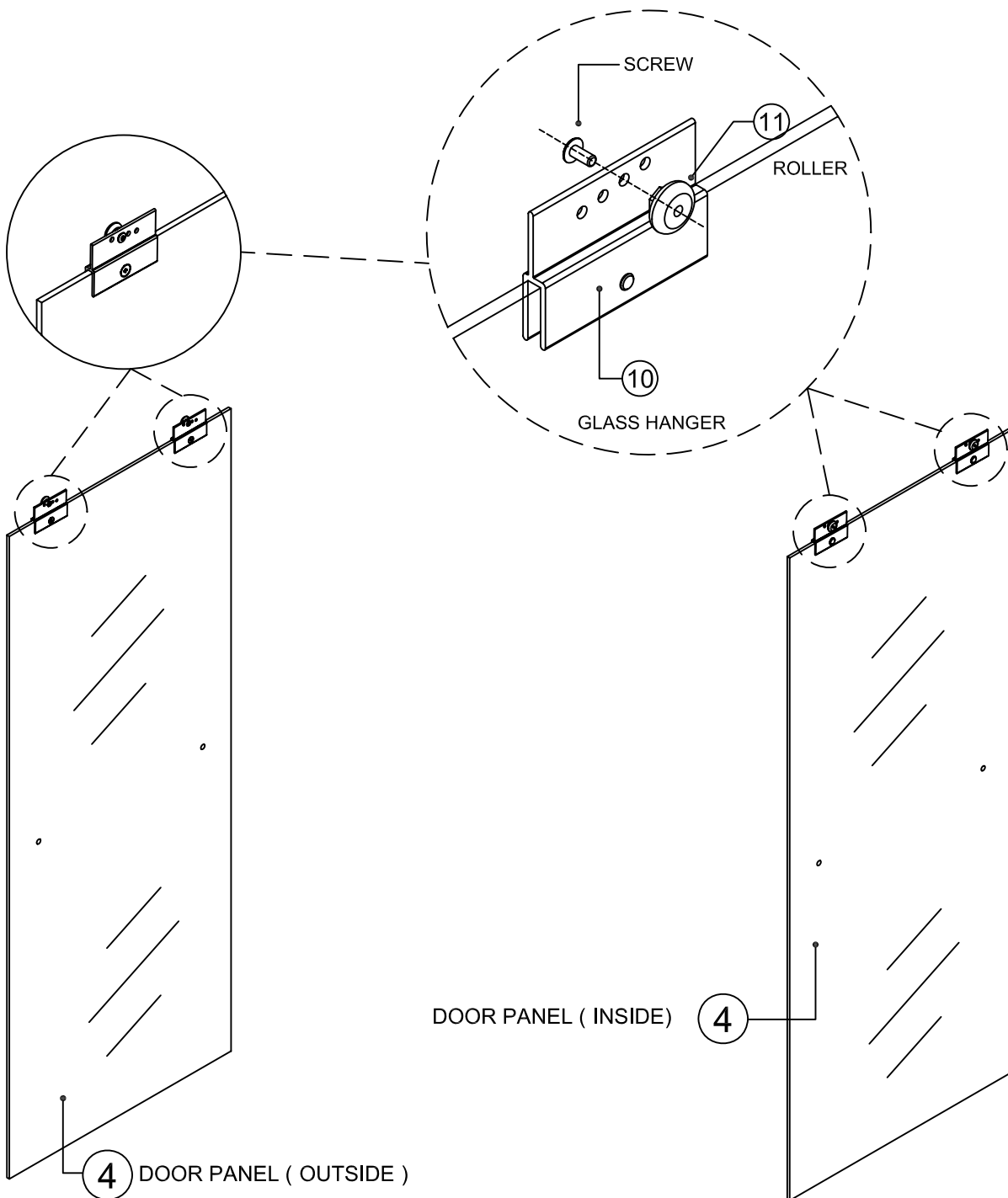
## Recommended TOOLS

				
SILICONE	DRILL	MEASURE TAPE	RUBBER MALLET	DRILL BITS
				
LEVEL	PENCIL	SCREW DRIVERS	HANDSAW	SAFETY GLASSES

### STEP 1

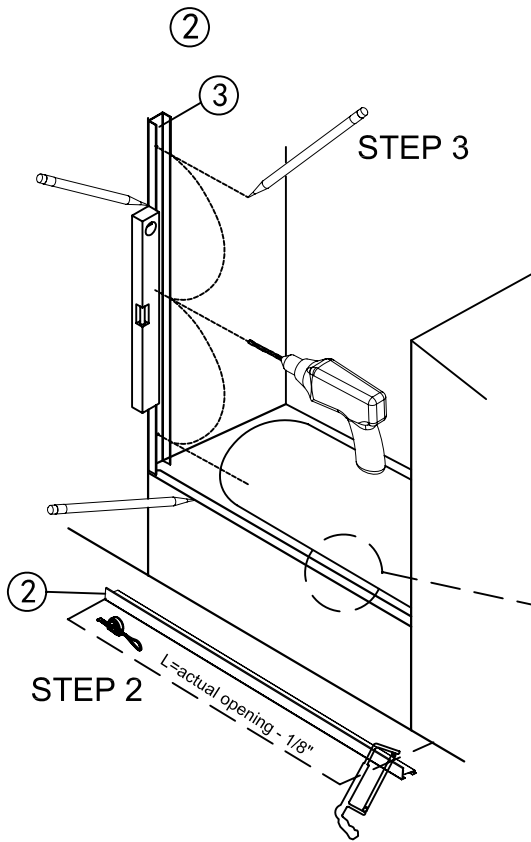
Attach rollers to hanger clips on both panels. Rollers should be mounted so that the head of the mounting screw is on the same side of the panel as the screw head set into the hanger clip (see inset drawing).

NOTE: The various holes in the hanger clip are used to fine tune the adjustment of the panel to make up for walls that are slightly out of square or plumb. For best results start with all rollers in the second hole from the top and then make adjustments as needed.



**STEP 2**

Measure opening on bottom and cut Bottom track 1/8" shorter than opening.



**STEP 3**

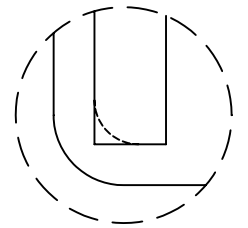
Place wall jamb down over bottom track so that the back of the jamb is between the bottom track and the wall. Using a level to insure jamb is plumb, mark hole locations. Remove jamb and drill holes about 1 1/2" deep at each of the marked locations.



**NOTE:** When drilling into ceramic, glass or stone use a 1/4" MASONRY drill bit. **When installing on fiberglass or acrylic use a 1/8" drill bit and discard the wall plugs.** When installing on Fiberglass or Acrylic the side jambs may need to be filed at the bottom to fit the contour of the unit.

**STEP 4**

Repeat step 3 on the other side.



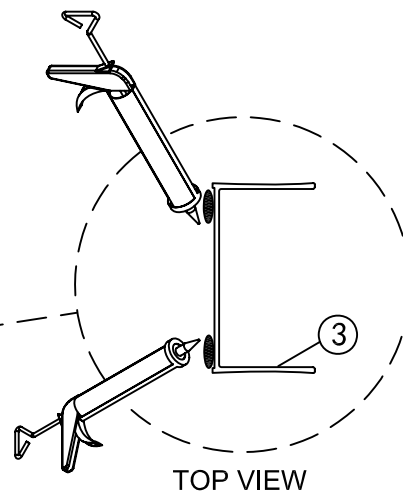
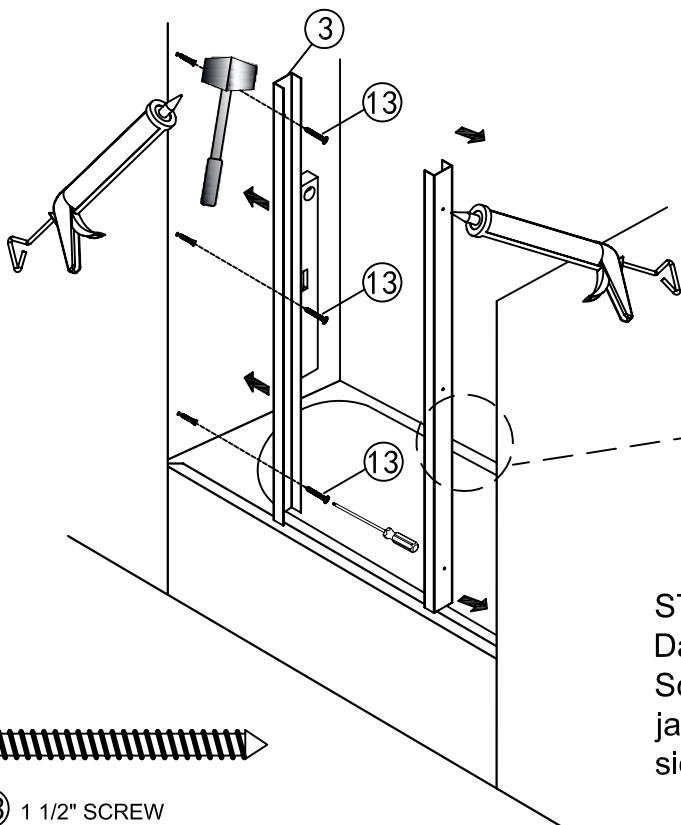
**STEP 6**

Push wall plugs into holes drilled in step 3 and tap them in with a rubber mallet.

**NOTE:** If you are installing on fiberglass or acrylic, skip this step and discard the wall plugs.

**STEP 5**

Run a thin bead of silicone caulk down the entire length of both bottom ledges on the bottom track. Place the bottom track into position and press down firmly along the length of the track.



**STEP 7**

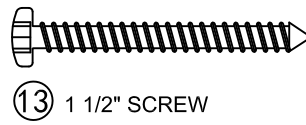
Dab silicone into all 3 holes on each side. Run 1 1/2" Screws through wall bumper and use to attach wall jamb to wall in top and bottom holes only on both sides.



⑬ 1 1/2" SCREW

**STEP 8**

Use 1 1/2" screws to anchor wall bumper and bumper guide into center hole on each side.

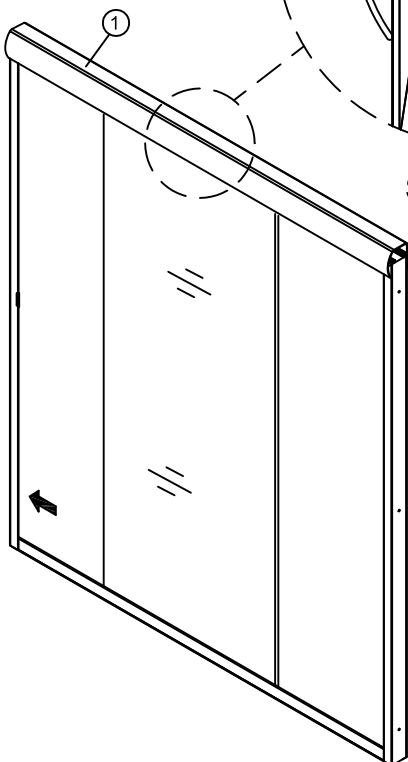
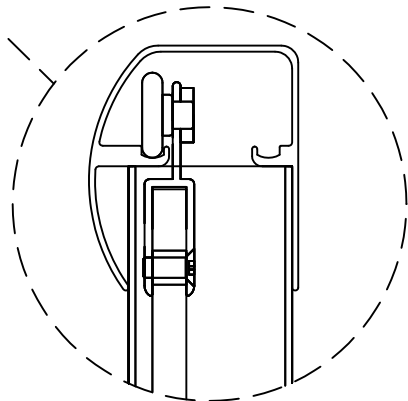
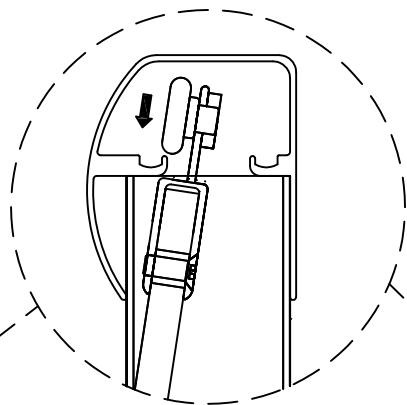
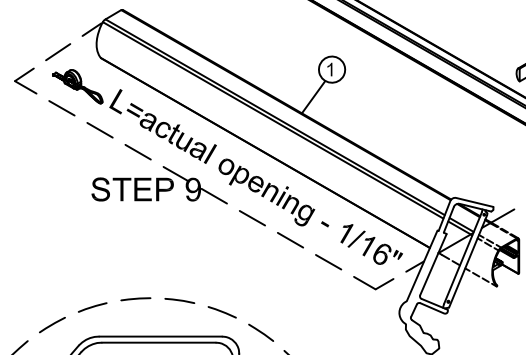
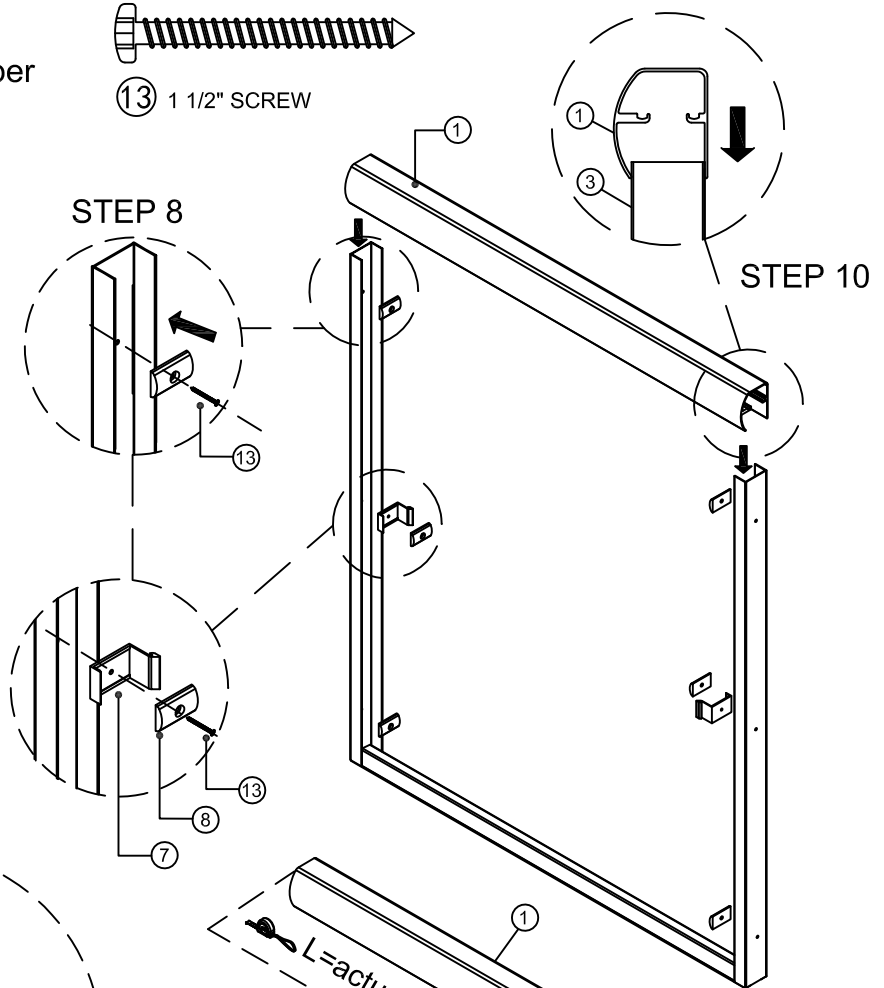


**STEP 9**

Measure opening at top of wall jamb, cut Top track ① 1/16" shorter than opening.

**STEP 10**

Place top track down over wall jambs as shown.

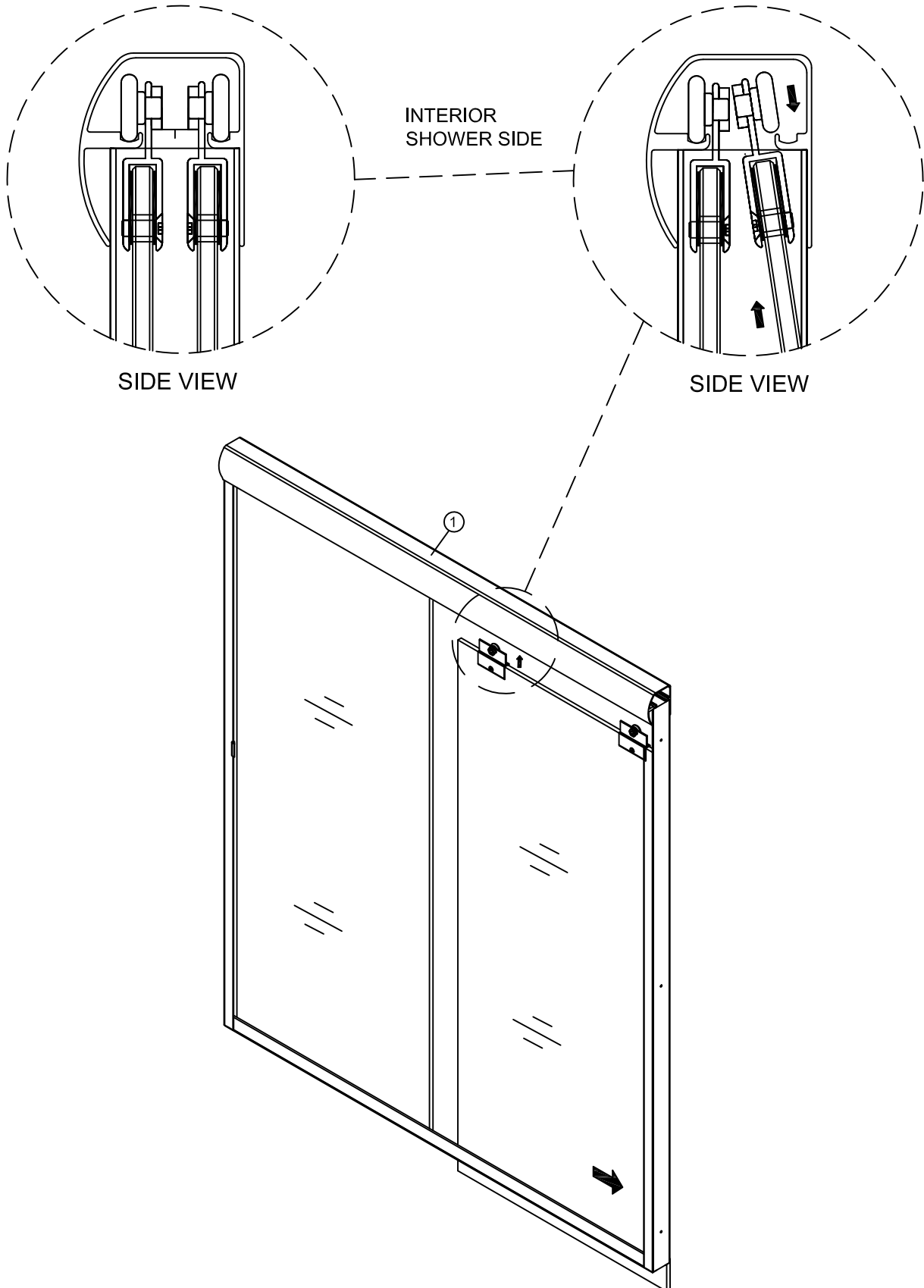


**STEP 11**

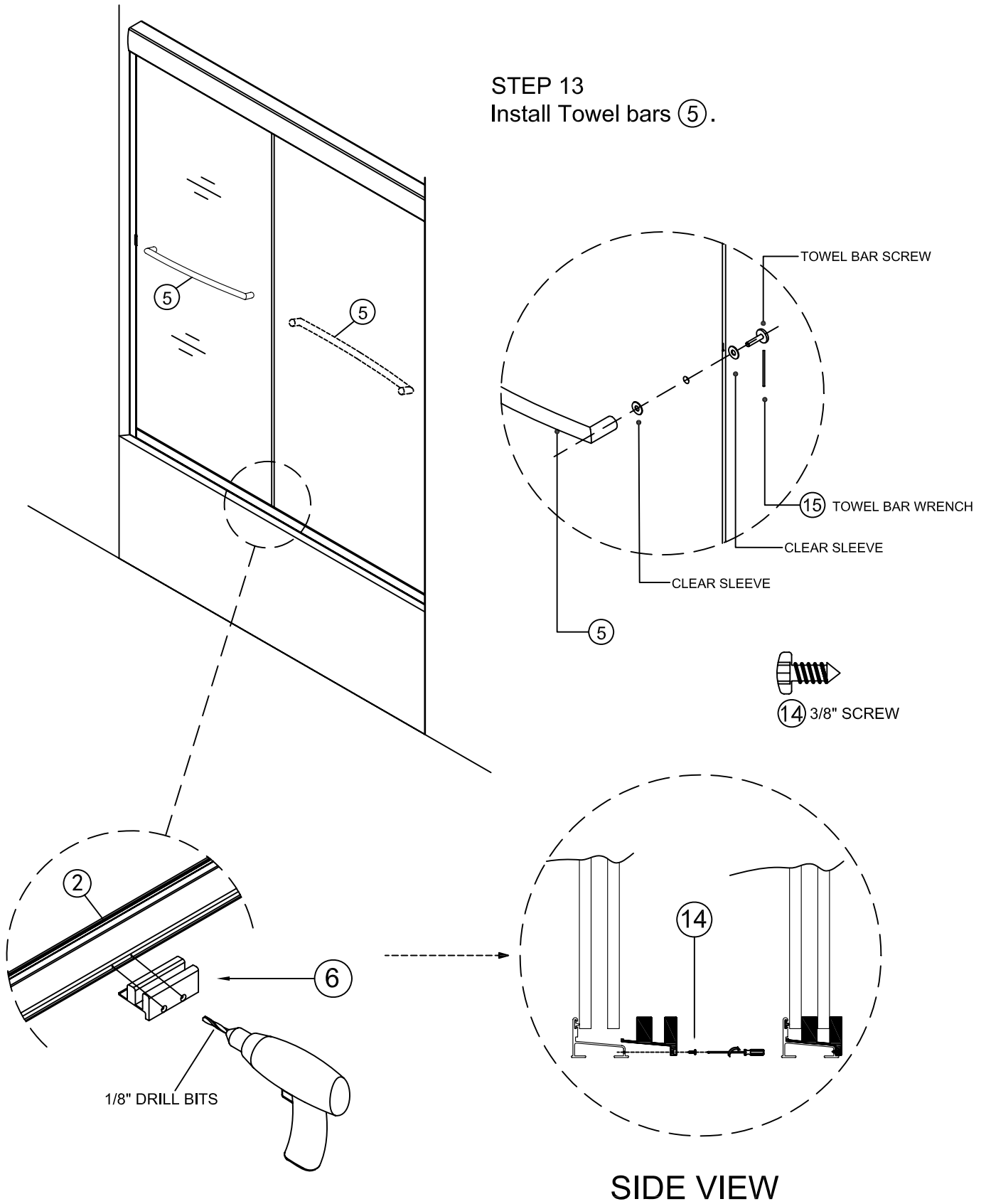
Install outer Door panel by lifting up & into Top track ① ( Do not lift by towel bar, be careful not to bump panel against metal track. )

**STEP 12**

Install inner door panel by lifting up & into Top track ( Do not lift by towel bar ).



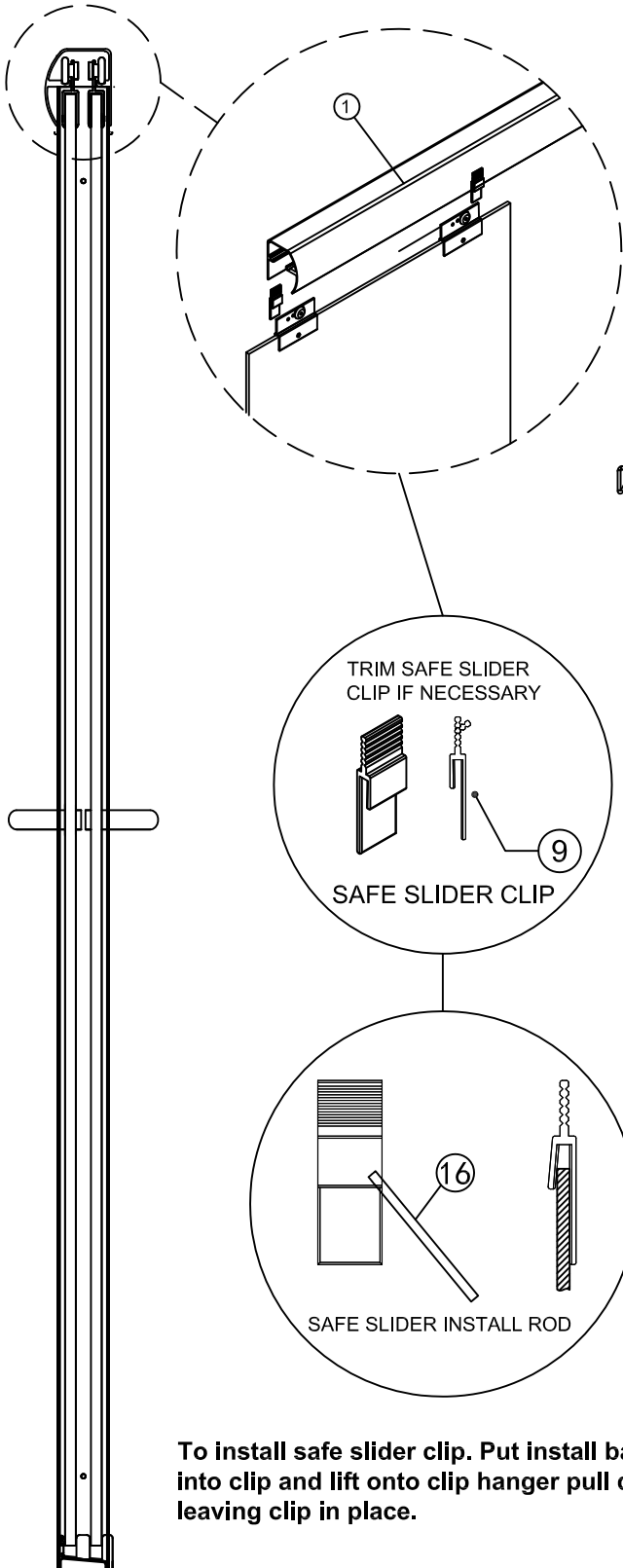
**STEP 13**  
Install Towel bars (5).



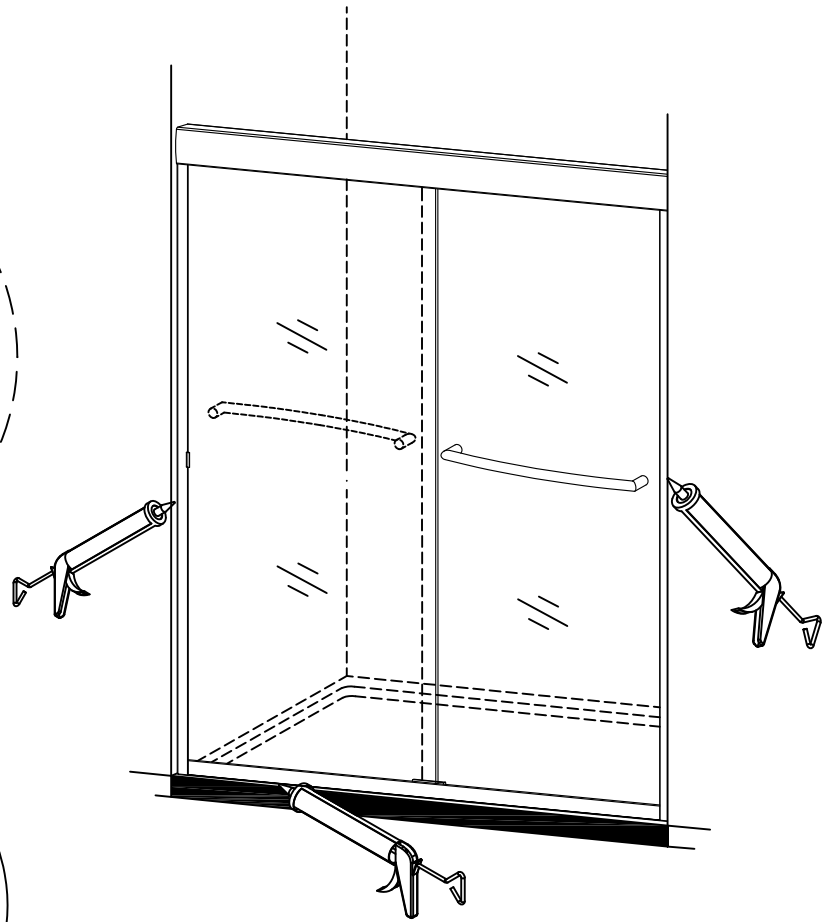
**STEP 14**  
Position panel guide in center of Bottom track. Drill two 1/8" holes through screw holes in guide and into Bottom track. Position panels in guide as shown in inset drawing and attach guide to bottom track using 3/8" screws.

STEP 15

At last, Install safe slider clip ⑨.



To install safe slider clip. Put install bar into clip and lift onto clip hanger pull down leaving clip in place.



CAULK ALL SIDES



**FINAL STEP:** Caulk both sides of the shower door frame to seal. Keep the entire area dry for a minimum of 24 hours.