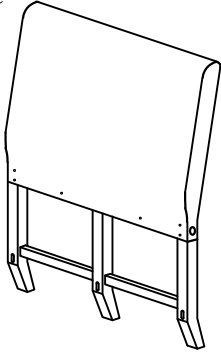
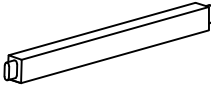
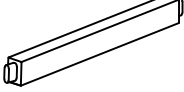
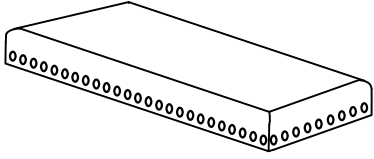
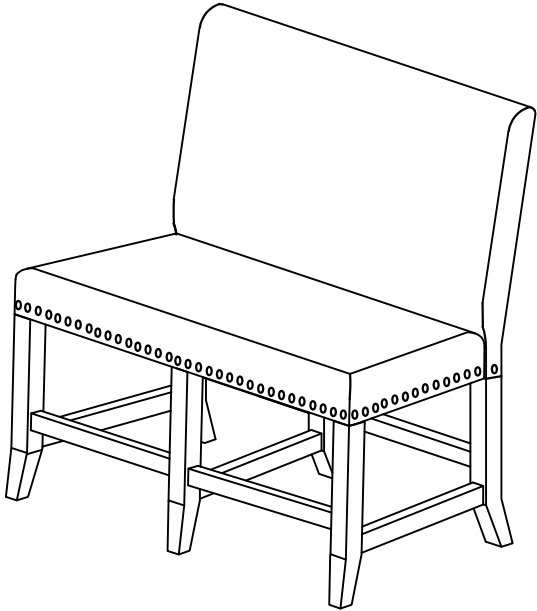
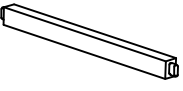


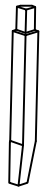
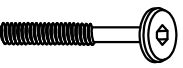
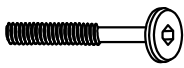
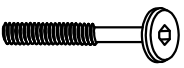



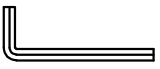


# ASSEMBLY INSTRUCTIONS

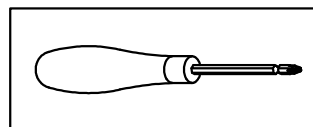
<p>A. BACK FRAME 1 PC</p> 	<p>G. LEFT STRETCHER 1 PC</p> 	<p>H. RIGHT STRETCHER 1 PC</p> 	
<p>B. SEAT FRAME 1 PC</p> 	<p>YOSEMITE BANQUETTE STOOL ASSEMBLED</p> 		
<p>C. FRONT STRETCHERS 2 PCS</p> 			<p>D. MIDDLE LEG 1 PC</p> 
<p>E. LEFT LEG 1 PC</p> 			<p>F. RIGHT LEG 1 PC</p> 

## HARDWARE ENCLOSED IN BOX

1	ALLEN BOLT M6 x 40 MM	02 PCS	2	ALLEN BOLT M6 x 50 MM	06 PCS	3	ALLEN BOLT M6 x 70 MM	04 PCS	4	SPRING WASHER M9/11	12 PCS	5	WASHER M9/22	12 PCS	
															
6	SCREW M4 x 40 MM	10 PCS	7	ALLEN KEY N4	01 PC										
															

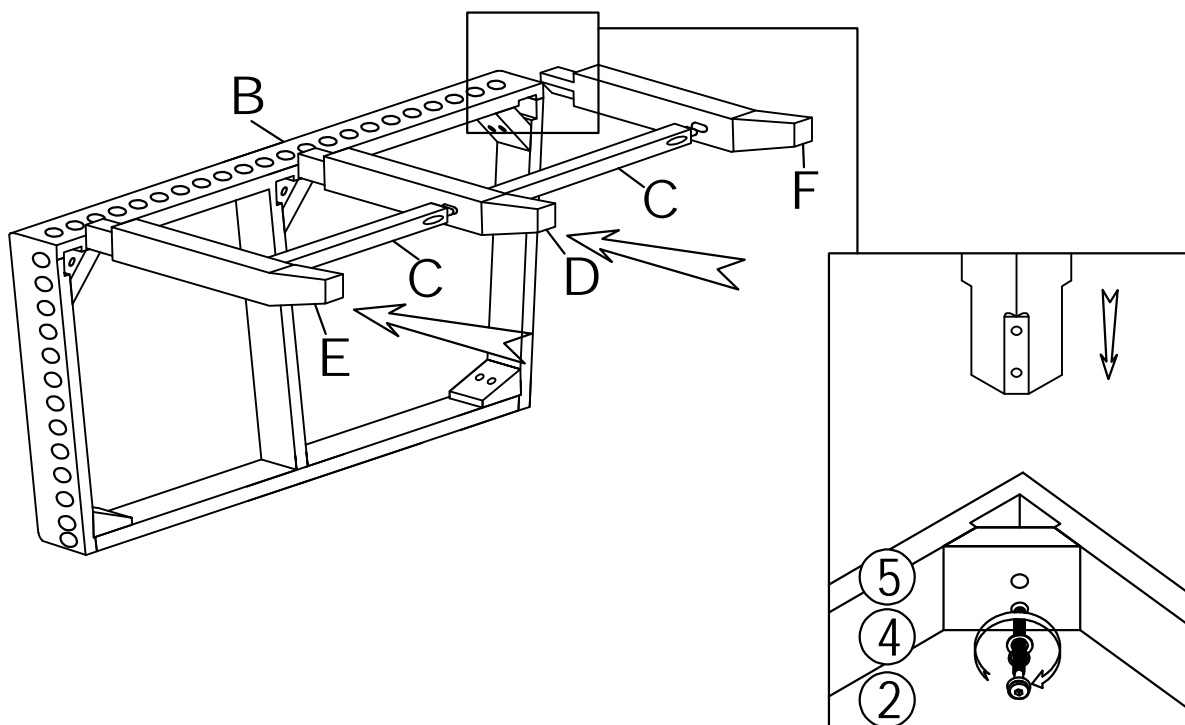
## TOOL REQUIRED

PHILLIPS HEAD SCREW  
DRIVER NOT PROVIDED



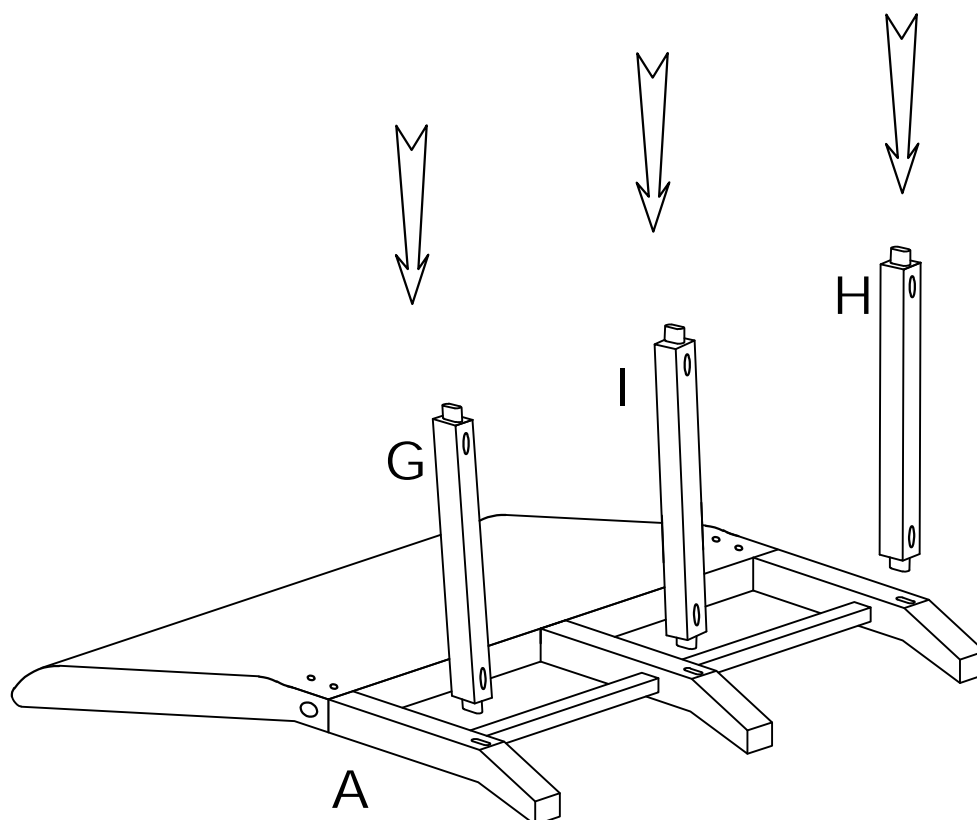
STEP 1:

Insert 3 legs (D,E,F) and stretchers (C) to seat frame (B). Connect them with bolt (2) spring washer (4) and flat washer (5).



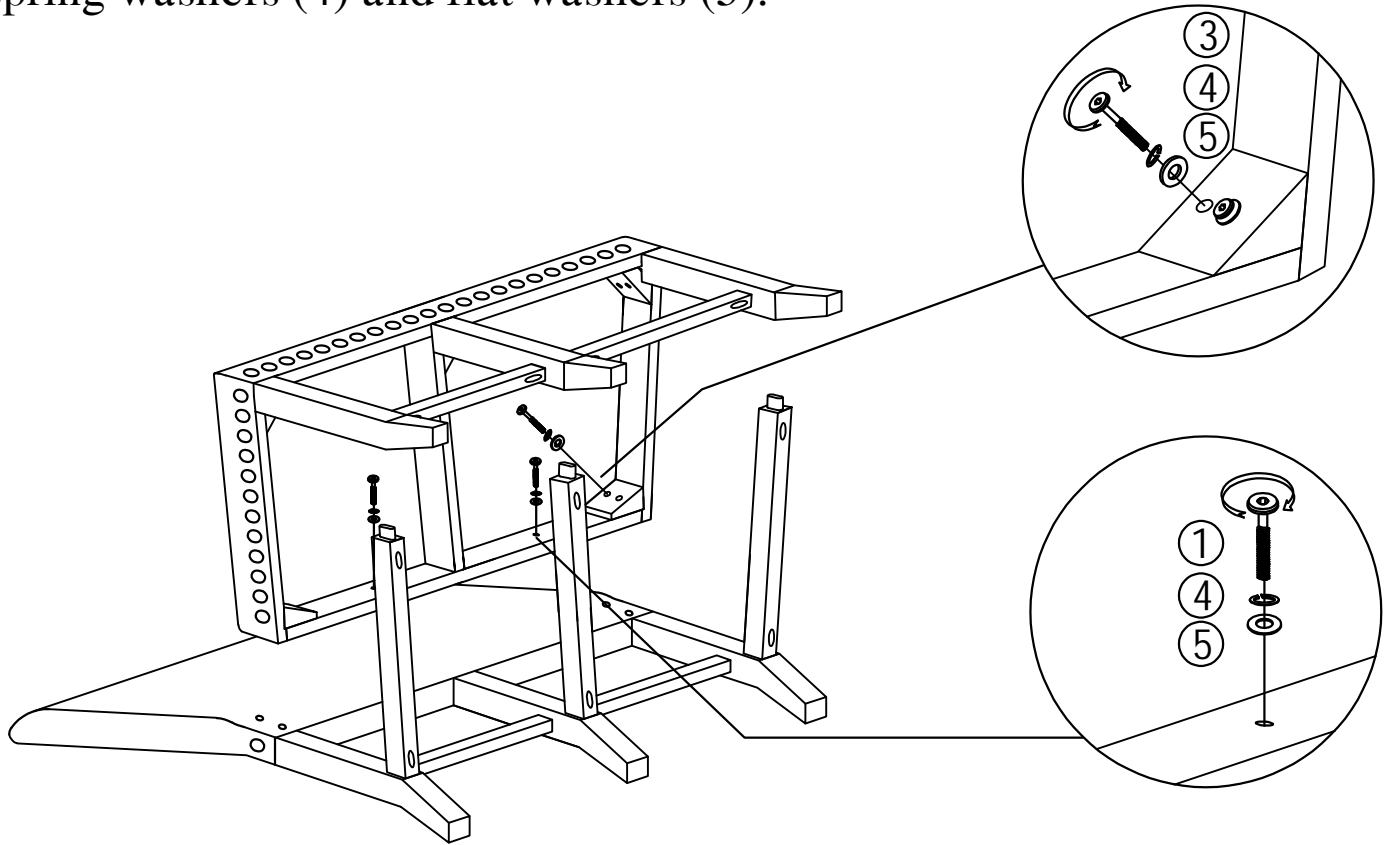
STEP 2:

Attach the stretchers (G), (H), (I) to the back frame (A).



STEP 3:

Connect the seat frame (B) to back frame (A) with bolts (1), (3), spring washers (4) and flat washers (5).



STEP 4:

Connect all the stretchers with screws (6).  
Assembly completed.

