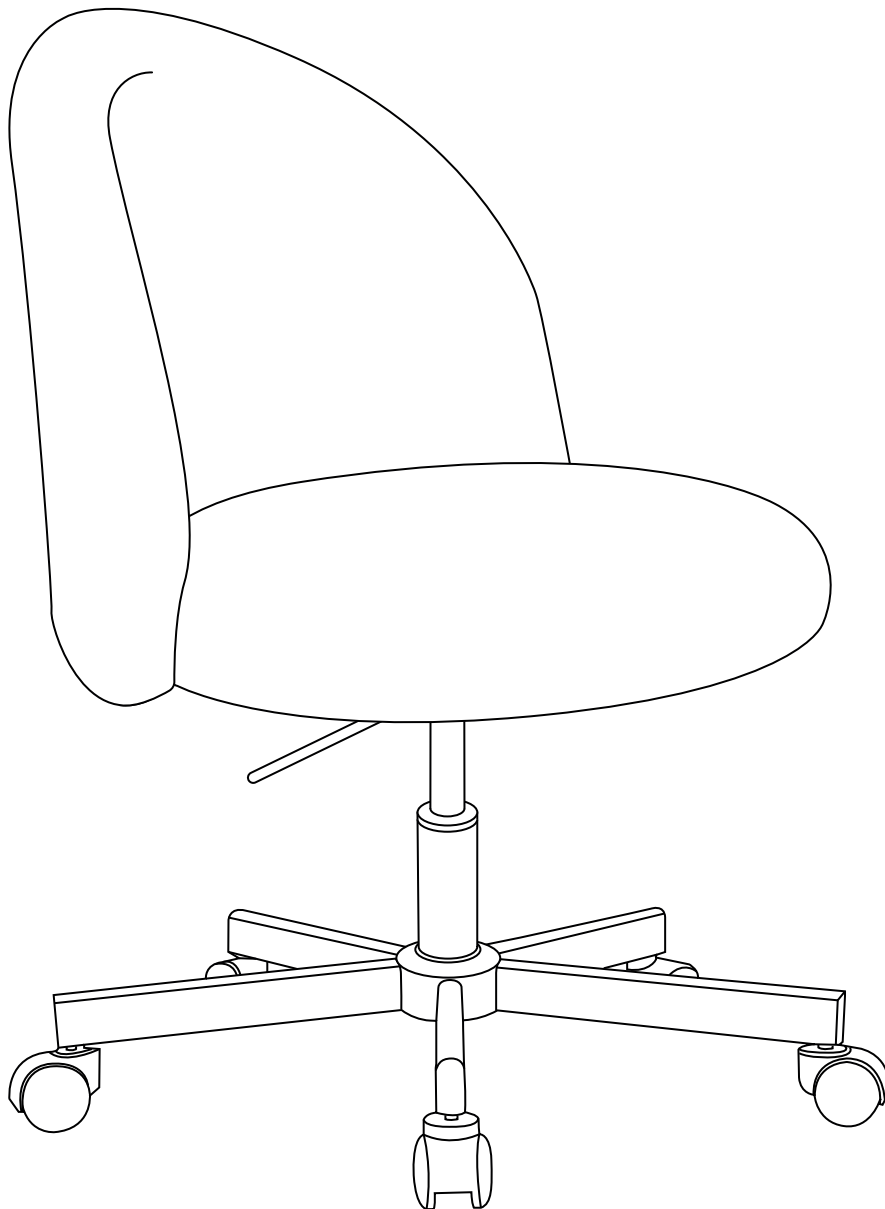


TEDDY

ASSEMBLY INSTRUCTIONS





IMPORTANT SAFETY INSTRUCTIONS



Read these instructions carefully and retain them for future use. If this product is passed to a third party, then these instructions must be included.

1. Safety Instructions

When using the product, basic safety precautions should always be followed to reduce the risk of injury including the following:

- This product must be assembled by an adult.
- Wearing gloves during assembly is highly recommended.
- Keep children and pets away while assembling the product.
- Do not let children climb on or play with the product.
- Always use the product on a firm, level ground.
- Do not use this product if any parts are missing, damaged, or worn.
- To avoid scratching the floor, assemble the product on a soft surface, such as a carpet.
- Do not over-tighten the fasteners.
- Regularly examine the product for wear and tear. Stop using the product at the first sign of damage or if parts become detached.
- Do not use power tools to assemble the product. Power tools may strip or damage the parts.
- Do not stand on the seat.
- Do not sit on the armrest.
- Keep all sharp objects away from the upholstery.
- Do not hang anything on the product.

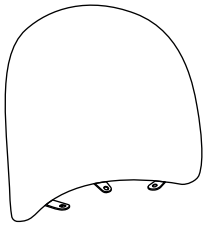
2. Assembly

- For additional illustrated assembly steps, refer to the end of the written instructions.

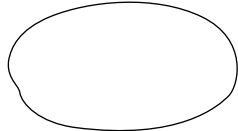
3. Before First Use

- **Suffocation Hazard:** Packaging materials and small components such as screws, bolts, and other fasteners can pose a suffocation hazard. Always keep these parts out of reach of children and pets during assembly and ensure they are securely fastened to the product to prevent them from becoming loose over time.
- **Children's Safety:** Never leave children unattended with the chair. Teach children not to play with the chair, as it is not a toy. Climbing on the chair or playing with its moving parts can lead to falls or injuries. Additionally, ensure the chair is adjusted to a safe and appropriate height for children's use to prevent their feet from dangling, which can cause discomfort or pressure.
- **Pet Safety:** Be mindful of pets around your chair products. Pets, particularly those with a tendency to chew or claw, can damage the chair or even ingest small parts, leading to potential injury or health issues. Consider using protective covers or deterrents if your pets are known to chew on furniture.
- Remove all the packing materials.
- Review all components before assembly. Check the product for transport damages.

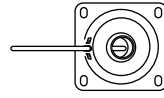
※Please make sure all the parts are included.



BACKREST X1



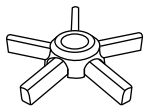
SEAT X1



CONTROL MECHANISM X1



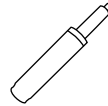
WHEEL X5



CENTRAL BASE X1



BASE LEG X5



GAS LIFT CYLINDER X1



A X3
(SEAT BOLT)



B X4
(CONTROL MECHANISM BOLT)



C X5
(BASE BOLT)



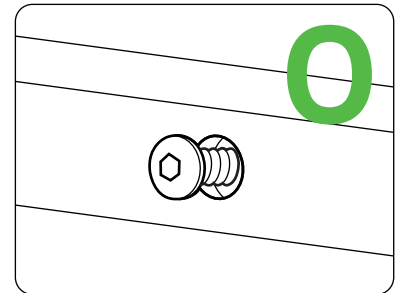
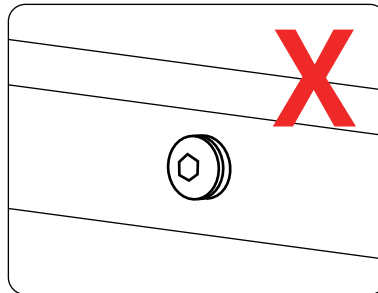
D X7
(WASHER)



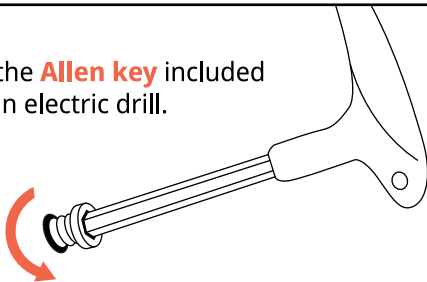
E X1
(ALLEN KEY)

⚠ NOTICE

Do not tighten the bolts all the way before each bolt is in place per step.



Please use the **Allen key** included instead of an electric drill.



TIPS!

To remove any odor leave the chair outside in a shaded area for 1-2 days.

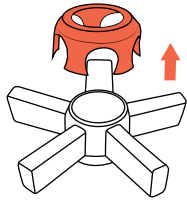


Enjoy your new favorite chair

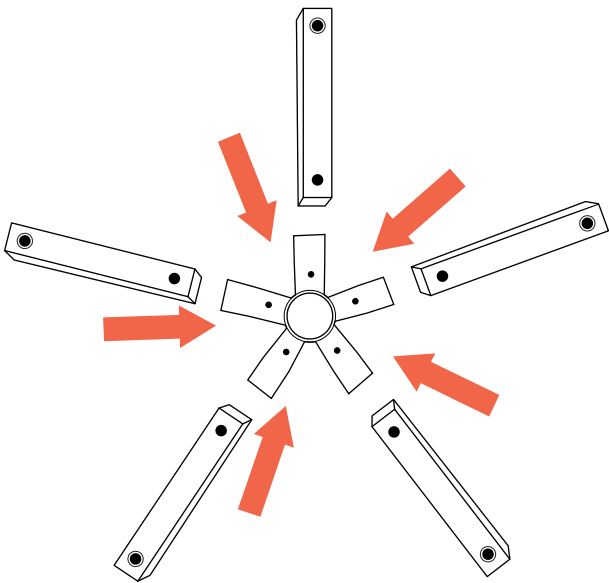
Our goal is to create a perfect customer experience.



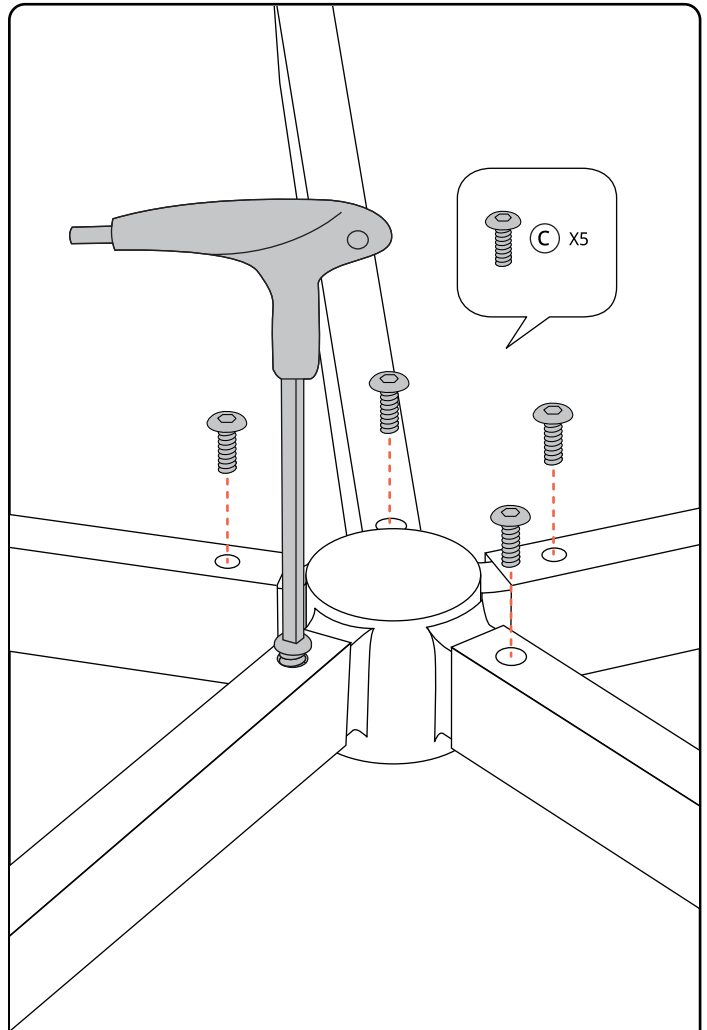
• Instructions



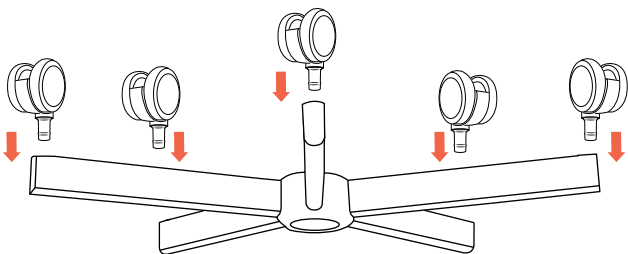
※Take off the base cover first



- 1.** Insert the base legs into the central base, aligning the bolt holes and making sure they face upward.

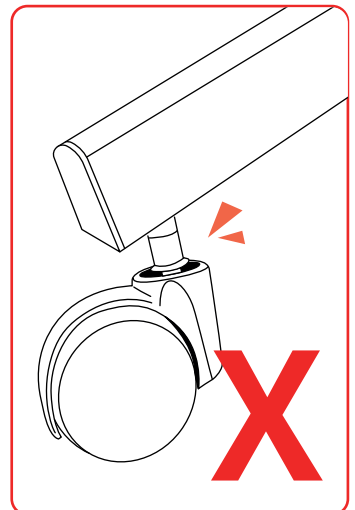
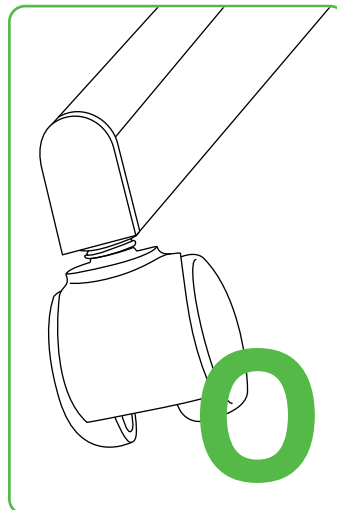


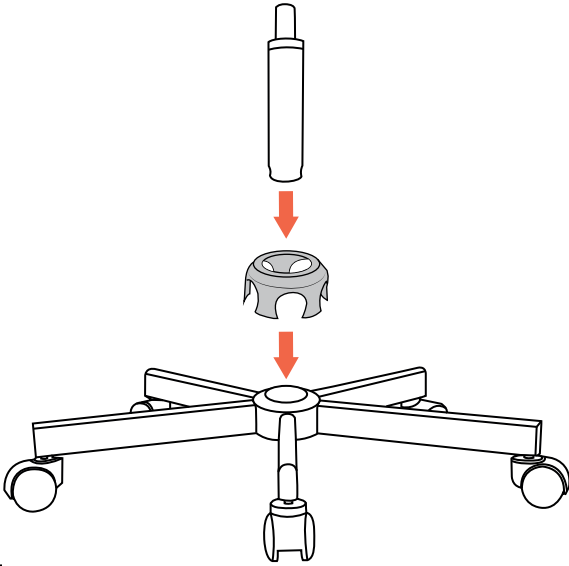
- 2.** Secure with **C bolts**.
Make sure to fully tighten all 5 bolts.



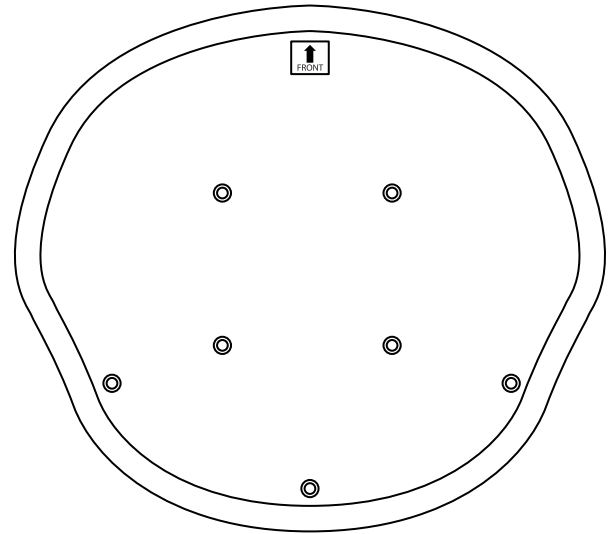
- 3.** Insert each **wheel** into the **base leg** while the base is still upside down.

SAFETY CAUTION

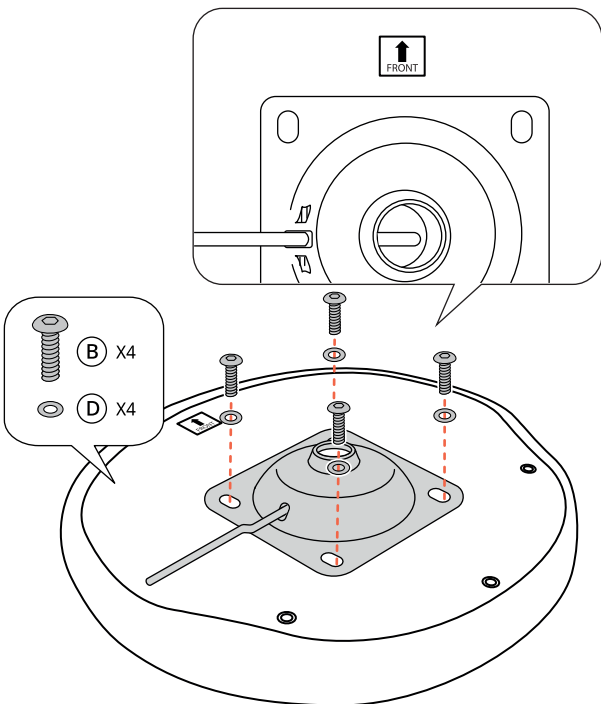




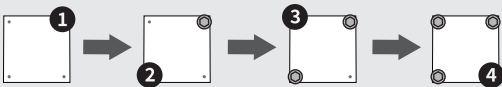
- 4.** Turn the base over and place the base cover back onto the base. Then, insert the gas lift cylinder into the center of the base.



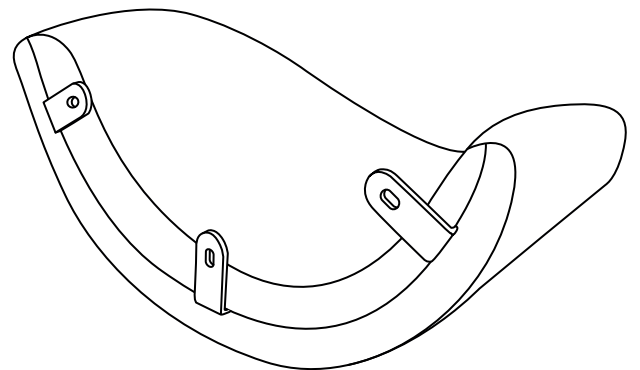
- 5.** Place the seat on the floor with the bottom side facing up for assembly.



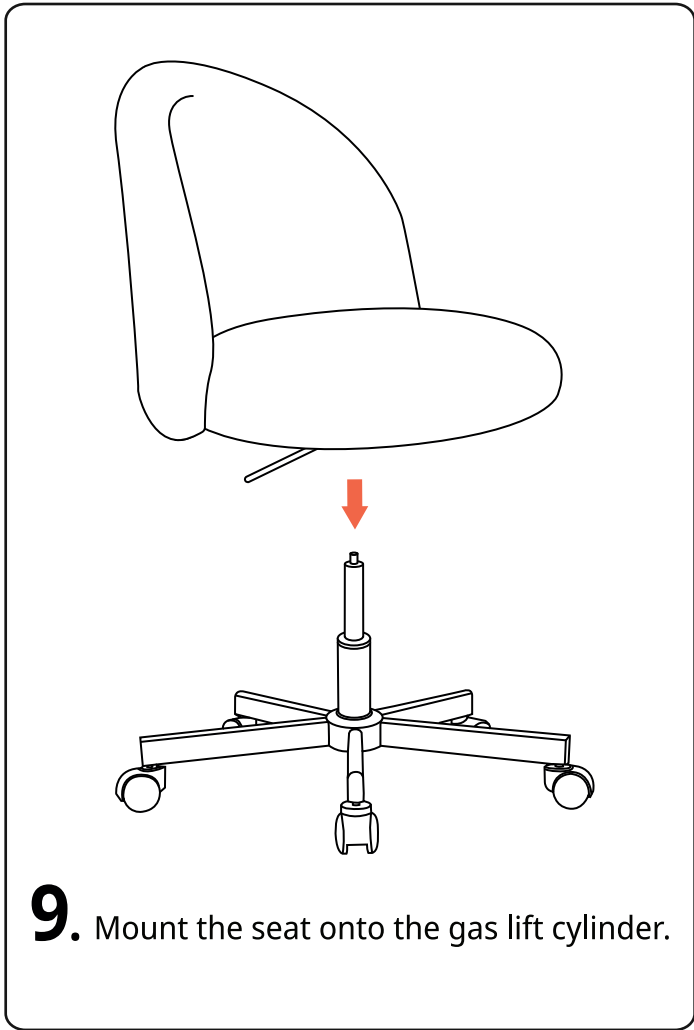
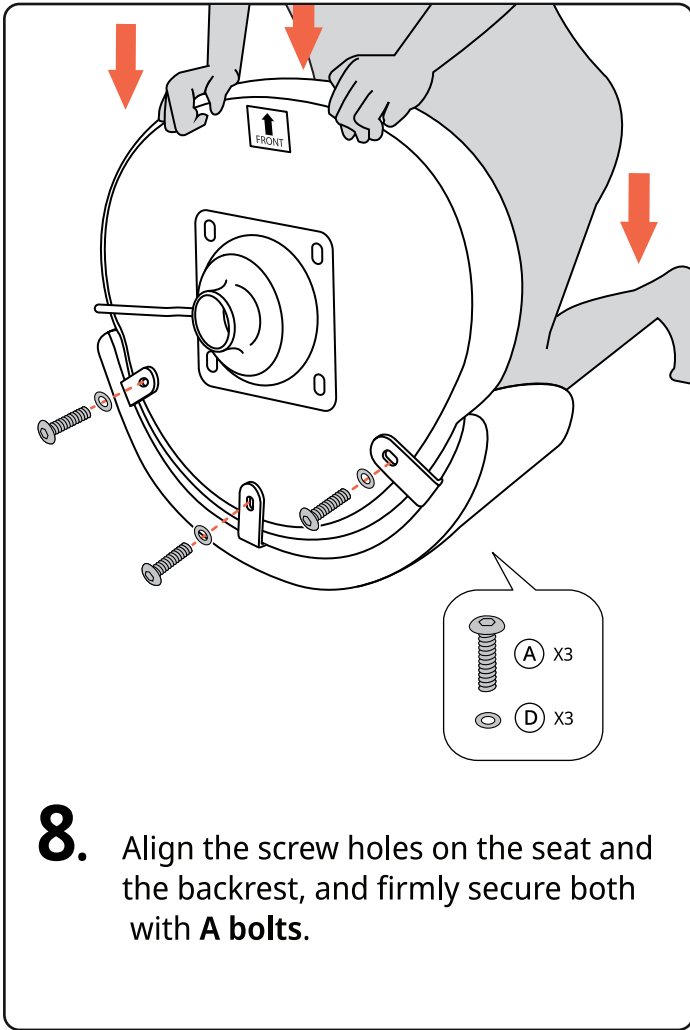
Order of bolts for better durability



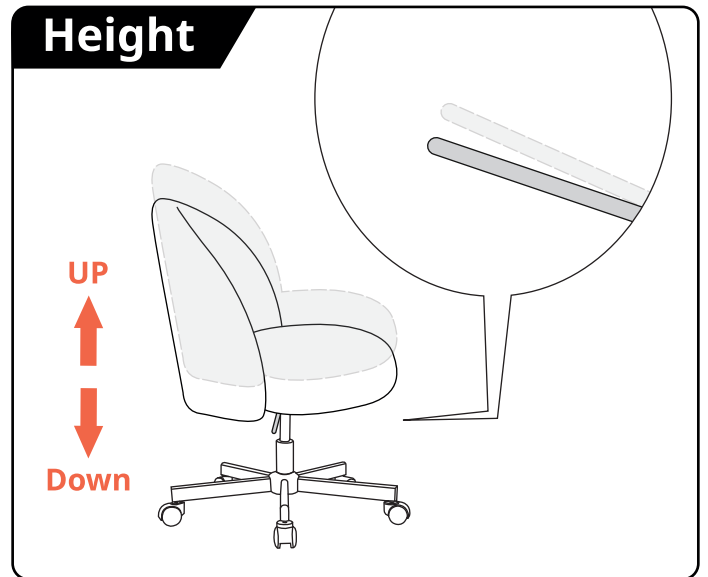
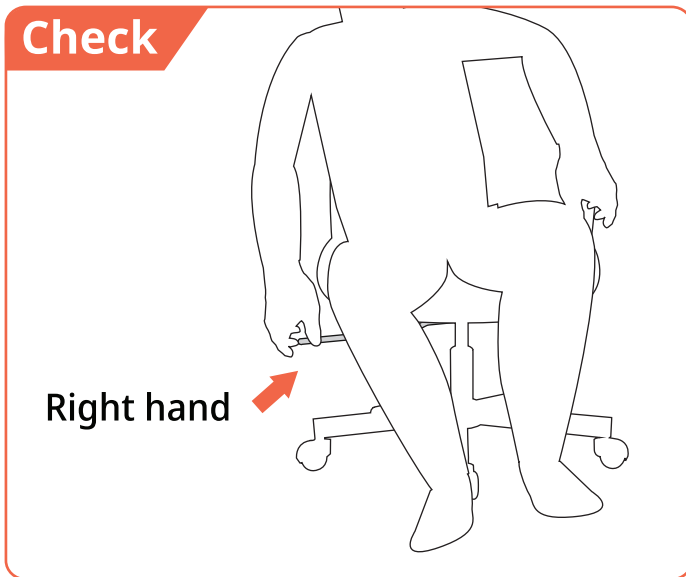
- 6.** Align the control mechanism with the screw holes and secure it to the seat with **B bolts**.



- 7.** Place the backrest on the floor with the front side facing up for assembly.



• User Manual



Enjoy your
new favorite chair.
If you face any issues,
please contact us.

