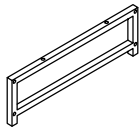
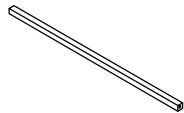
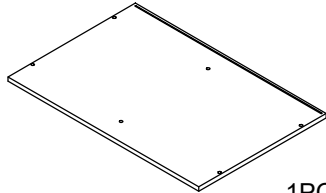
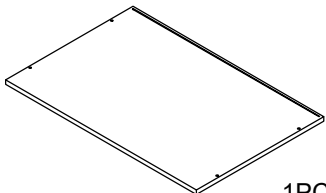
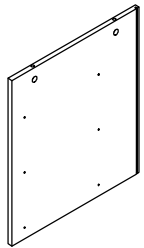
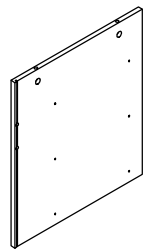
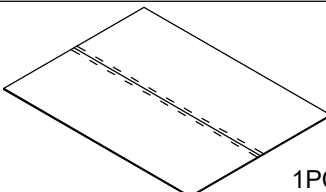
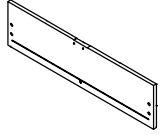
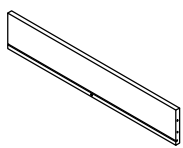
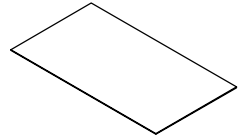
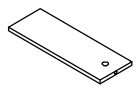

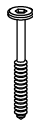





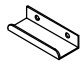


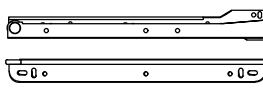

READ AND SAVE THIS INSTRUCTION FOR FUTURE USE

ASSEMBLY INSTRUCTION

PART LIST

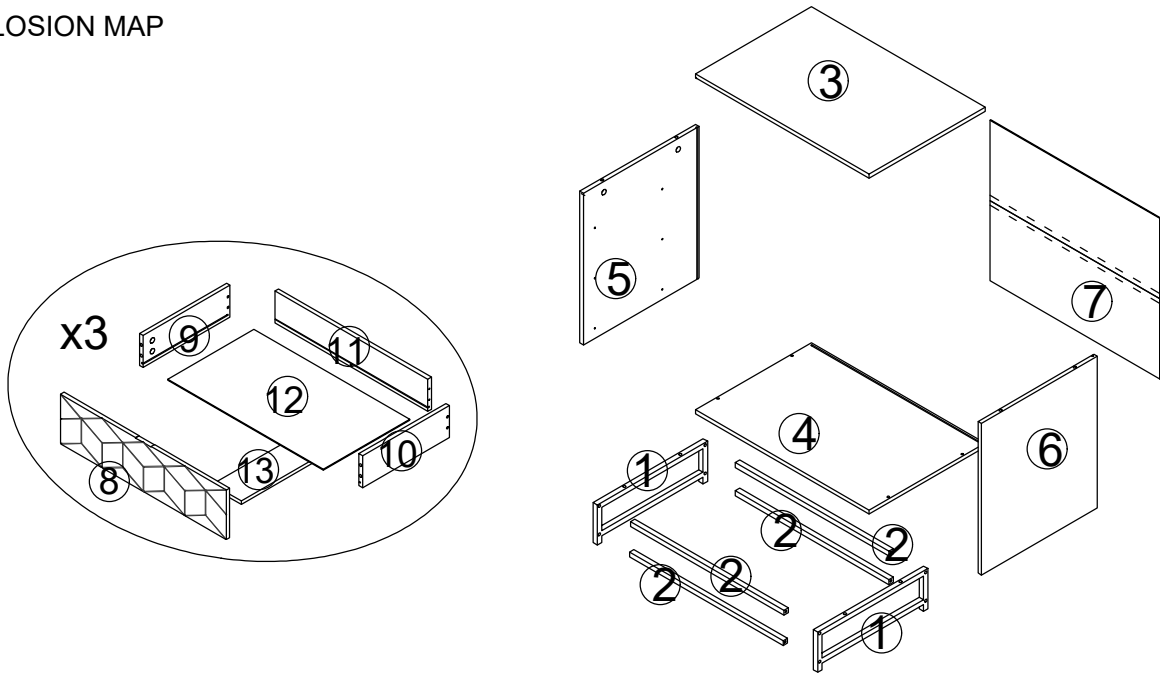
<p>1</p>  <p>2PCS</p>	<p>2</p>  <p>4PCS</p>	<p>3</p>  <p>1PCS</p>	<p>4</p>  <p>1PCS</p>
<p>5</p>  <p>1PCS</p>	<p>6</p>  <p>1PCS</p>	<p>7</p>  <p>1PCS</p>	<p>8</p>  <p>3PCS</p>
<p>11</p>  <p>3PCS</p>		<p>12</p>  <p>3PCS</p>	<p>13</p>  <p>3PCS</p>

<p>A</p>  <p>16PCS</p>	<p>B</p>  <p>M5X50 4PCS</p>	<p>C</p>  <p>M4X14 30PCS</p>	<p>D</p>  <p>M4X40 15PCS</p>	<p>E</p>  <p>M6X35 8PCS</p>	<p>F</p>  <p>M6X30 4PCS</p>	<p>G</p>  <p>3PCS</p>	<p>M</p>  <p>3PCS</p>
---	--	---	---	--	--	--	--

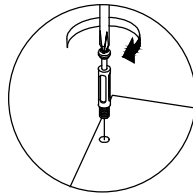
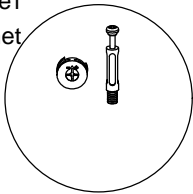
<p>K</p>  <p>3 SETS</p>	
--	---

EXPLOSION MAP AND INSTALLATION INSTRUCTION FOR COMPLEX HARDWARE

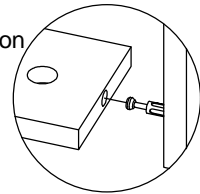
EXPLOSION MAP



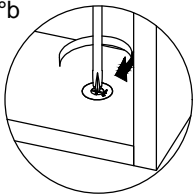
Three-in-one
installation method



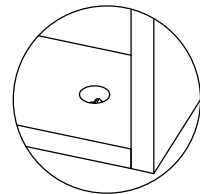
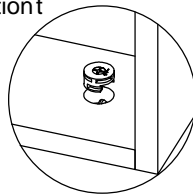
Insert corresponding
plate



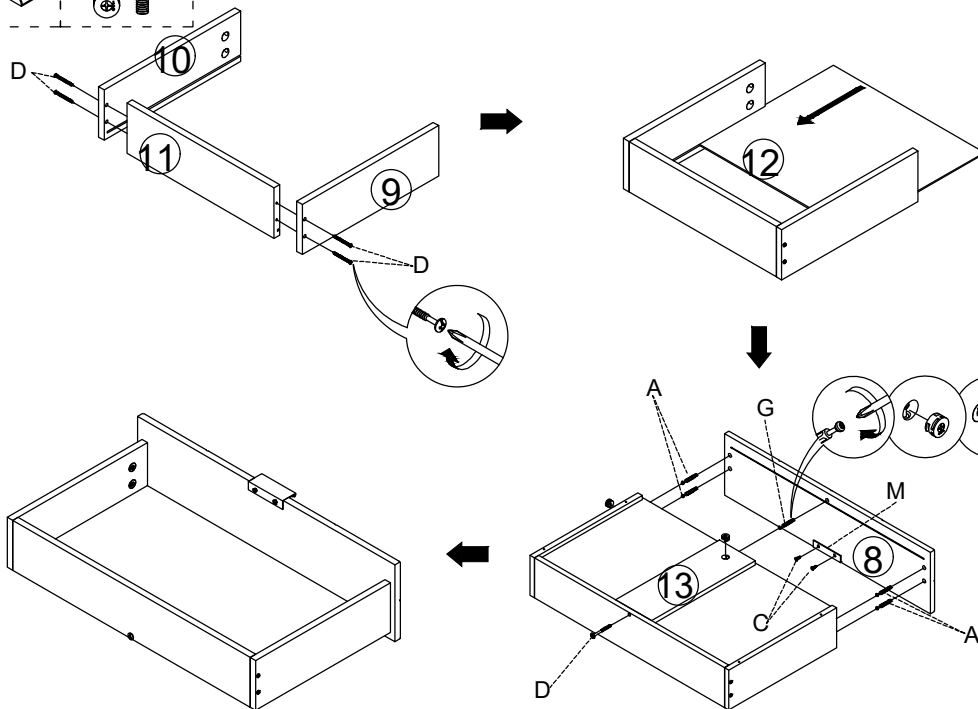
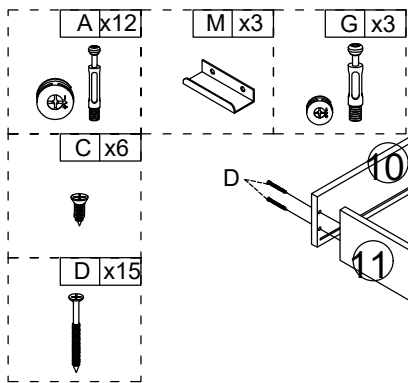
Rotate 180 ° by
clockwise
direction



Pay attention to
the gap
direction

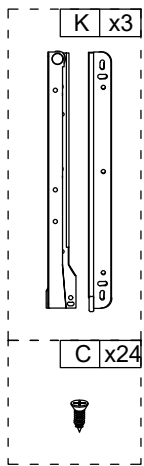


01

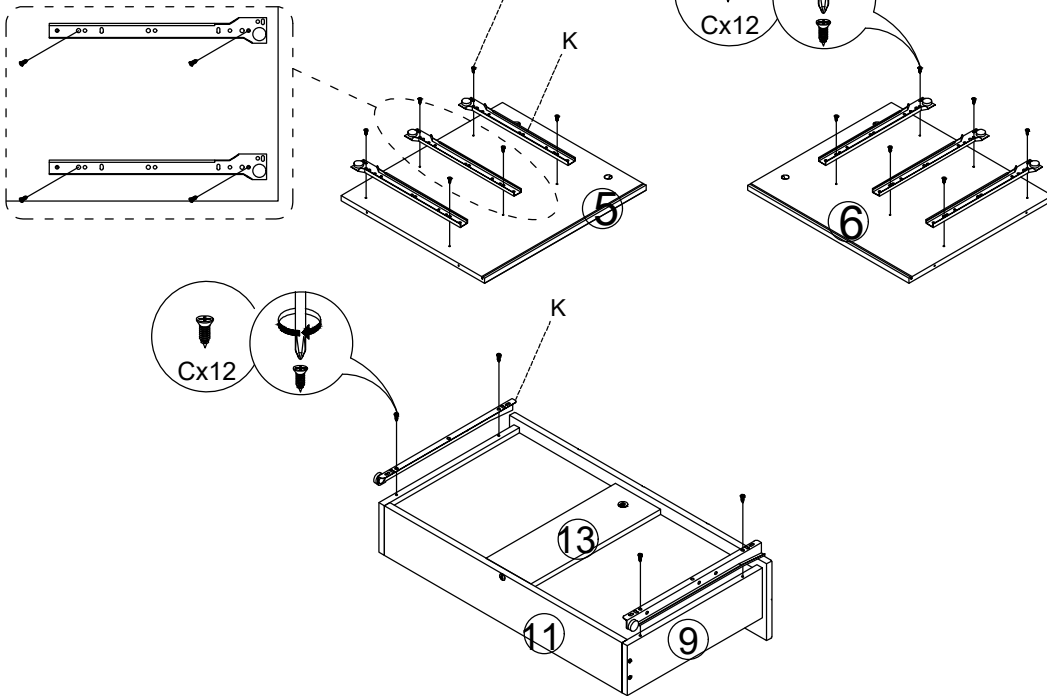


x3

02

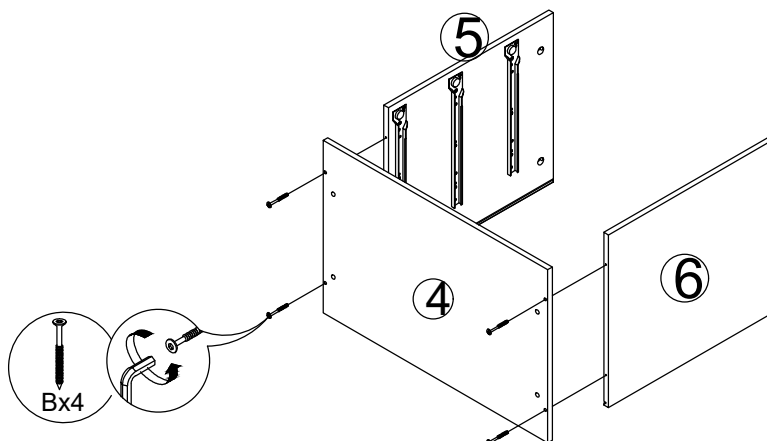
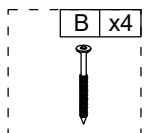


As shown in the figure, install the slide rail into positioning hole of part 5, 6 with screws C

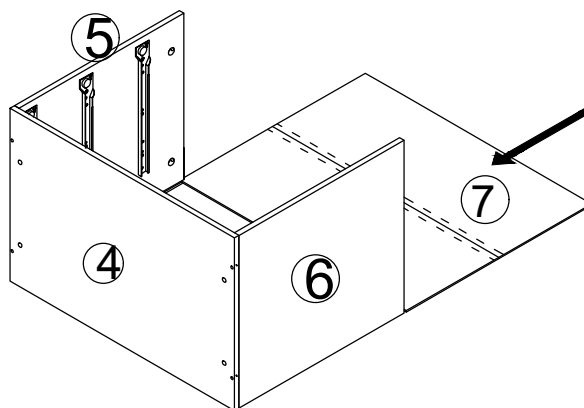
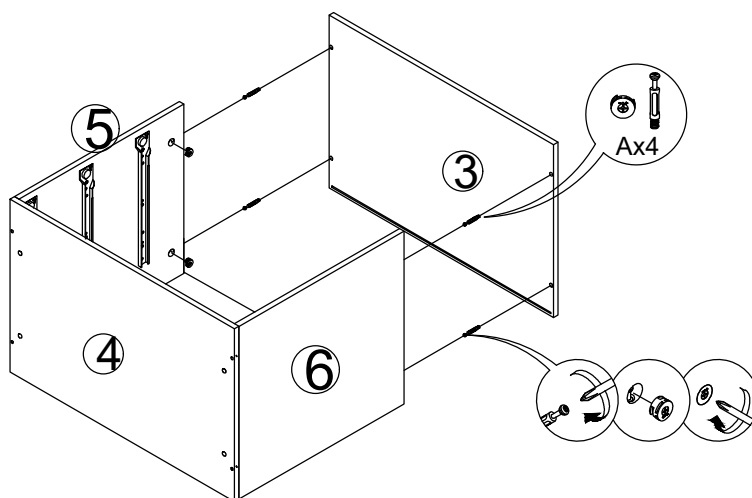
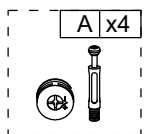


x3

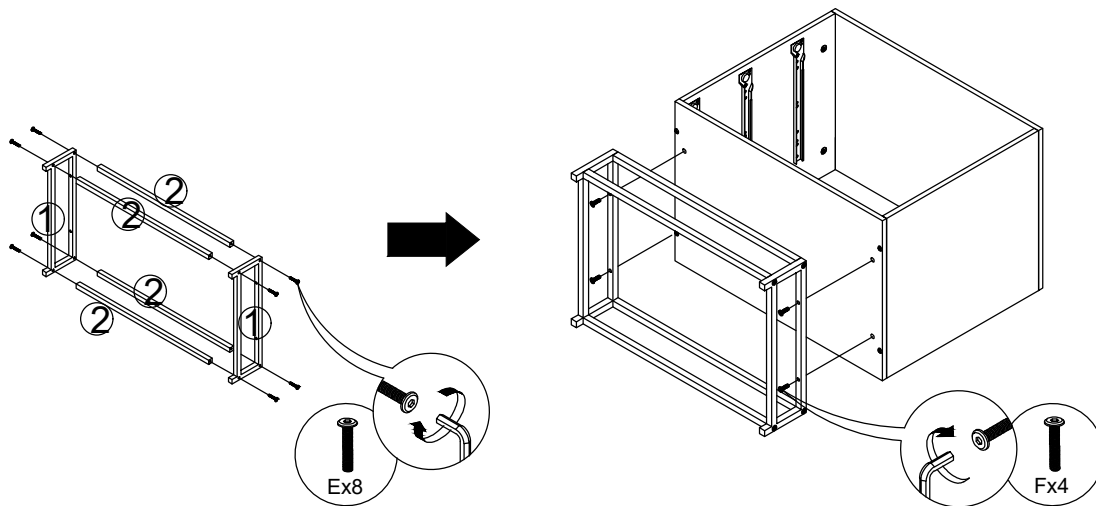
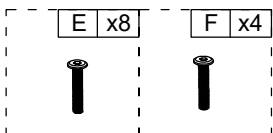
x3

03**04**

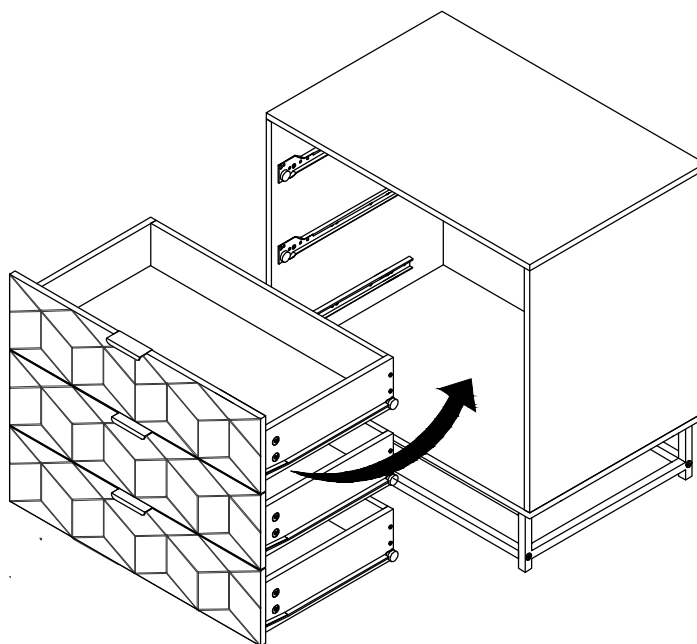
As shown in the figure, insert part 7 along the groove of plates 5 and 6.

**05**

06



07



End