



TALL FARMHOUSE DRESSER WITH 5 DRAWERS



USER MANUAL



Contents

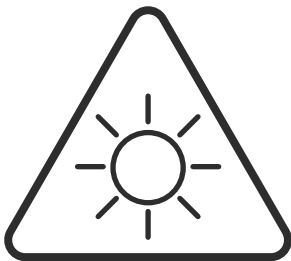
TOPIC		PAGE
01	SAFETY INSTRUCTIONS	01-01
	1-1 Thank You For Choosing Our Product	01
	1-2 Precautions	01
02	INSTALLING MODULES	02-24
	2-1 Disassembly Diagram	02
	2-2 Parts List	03-04
	2-3 Assembly Instructions	05-24
03	CUSTOMER SERVICE	25
	3-1 30-Day Return Policy	25
	3-2 1-Year Warranty	25
	3-3 Quick Response Within 24 Hours	25
04	PROBLEMS YOU MAY ENCOUNTER	26
	4-1 Problems You May Encounter	26

Safety Instructions

Thank You For Choosing Our Product

Before assembly, please read this USER MANUAL first, and check according to Parts List to make sure all parts are included. Feel free to contact us if you have any concerns or questions about your product, we are always ready to help. Your satisfaction is our first priority!

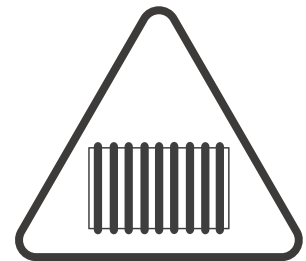
Precautions



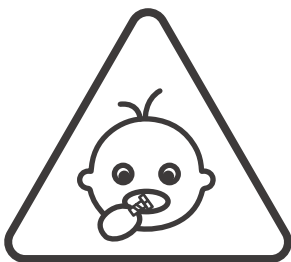
- Avoid long-term direct sunlight exposure.



- Keep away from sharp objects.



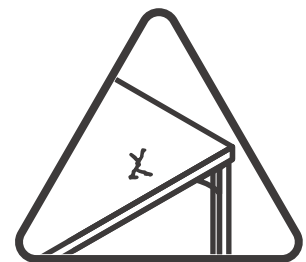
- Keep away from heat.



- Keep infants/children away from assembly parts to avoid choking and suffocation.

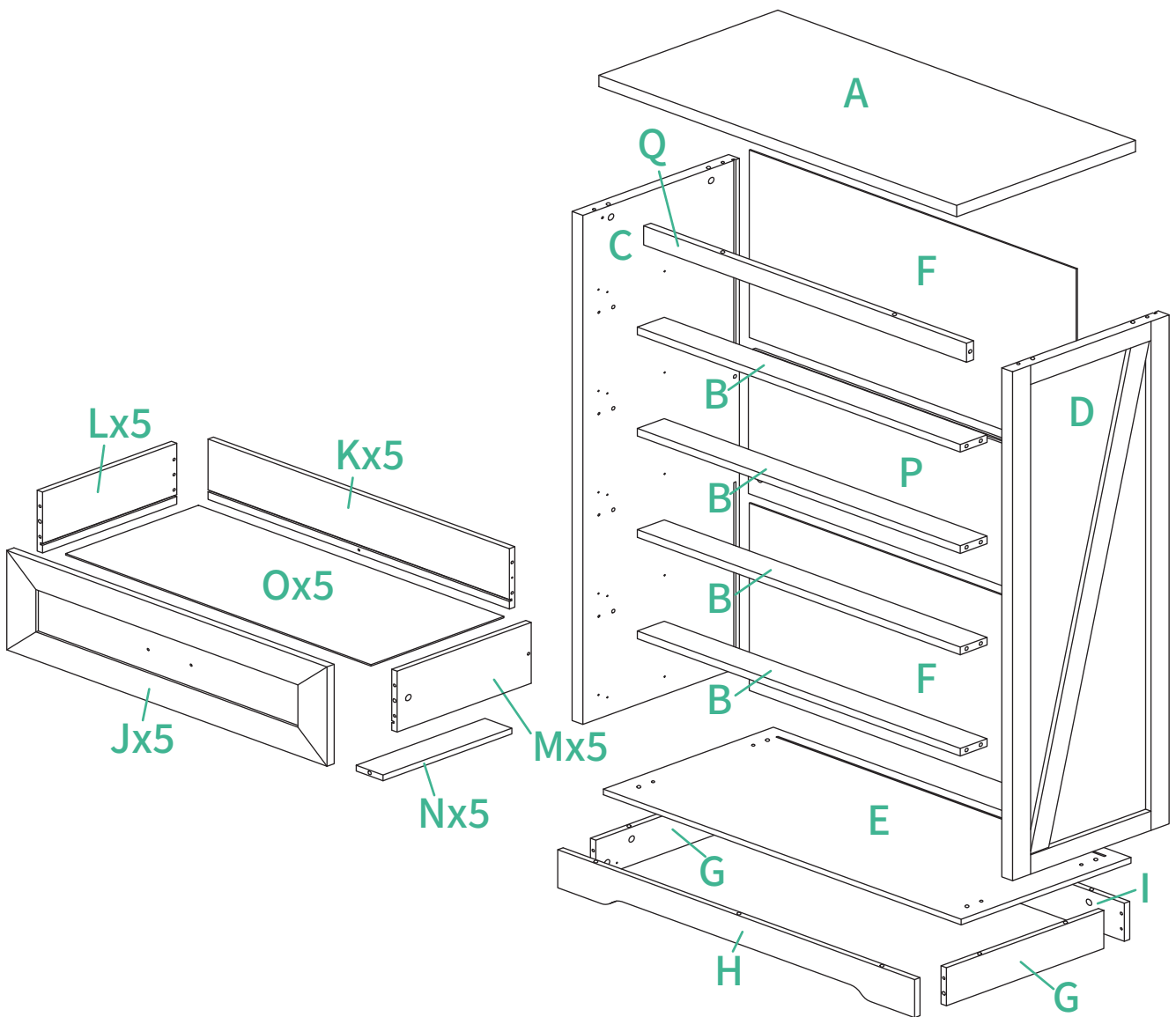


- Keep away from corrosive substances.



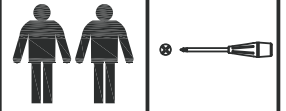
- Pay attention to avoid over-tightening fasteners, or they may induce cracking within the board.

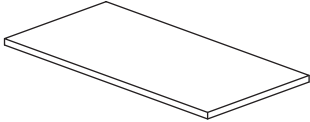
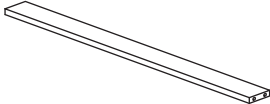
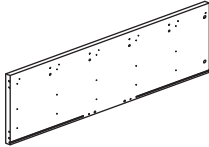
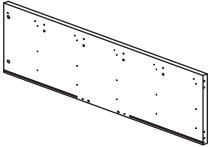
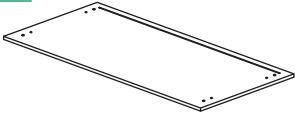
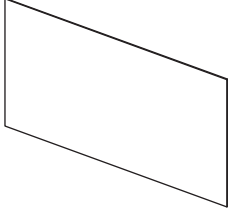
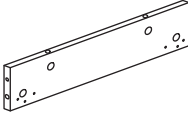
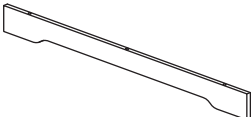
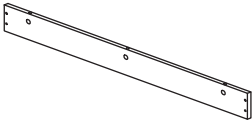
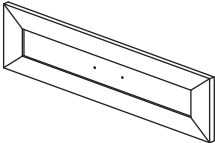
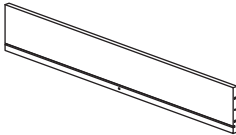
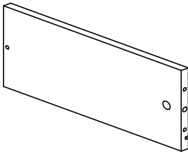
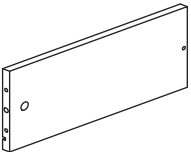
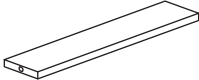
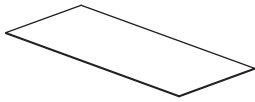
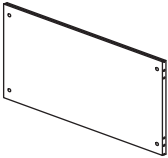
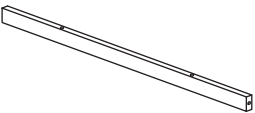
Disassembly Diagram



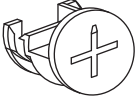
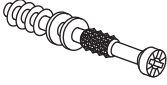

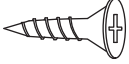

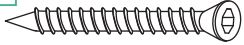


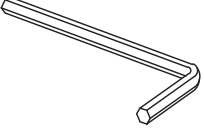
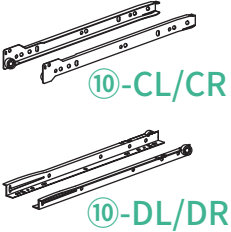
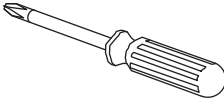
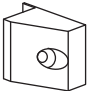
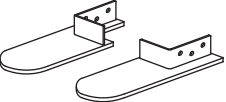
Parts List

For ease and safety, we recommend two people for assembly.



A x1 	B x4 	C x1 	D x1 
E x1 	F x2 	G x2 	H x1 
I x1 	J x5 	K x5 	L x5 
M x5 	N x5 	O x5 	P x1 
Q x1 			

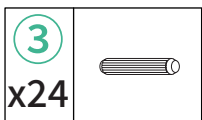
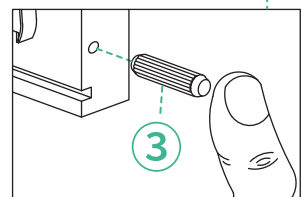
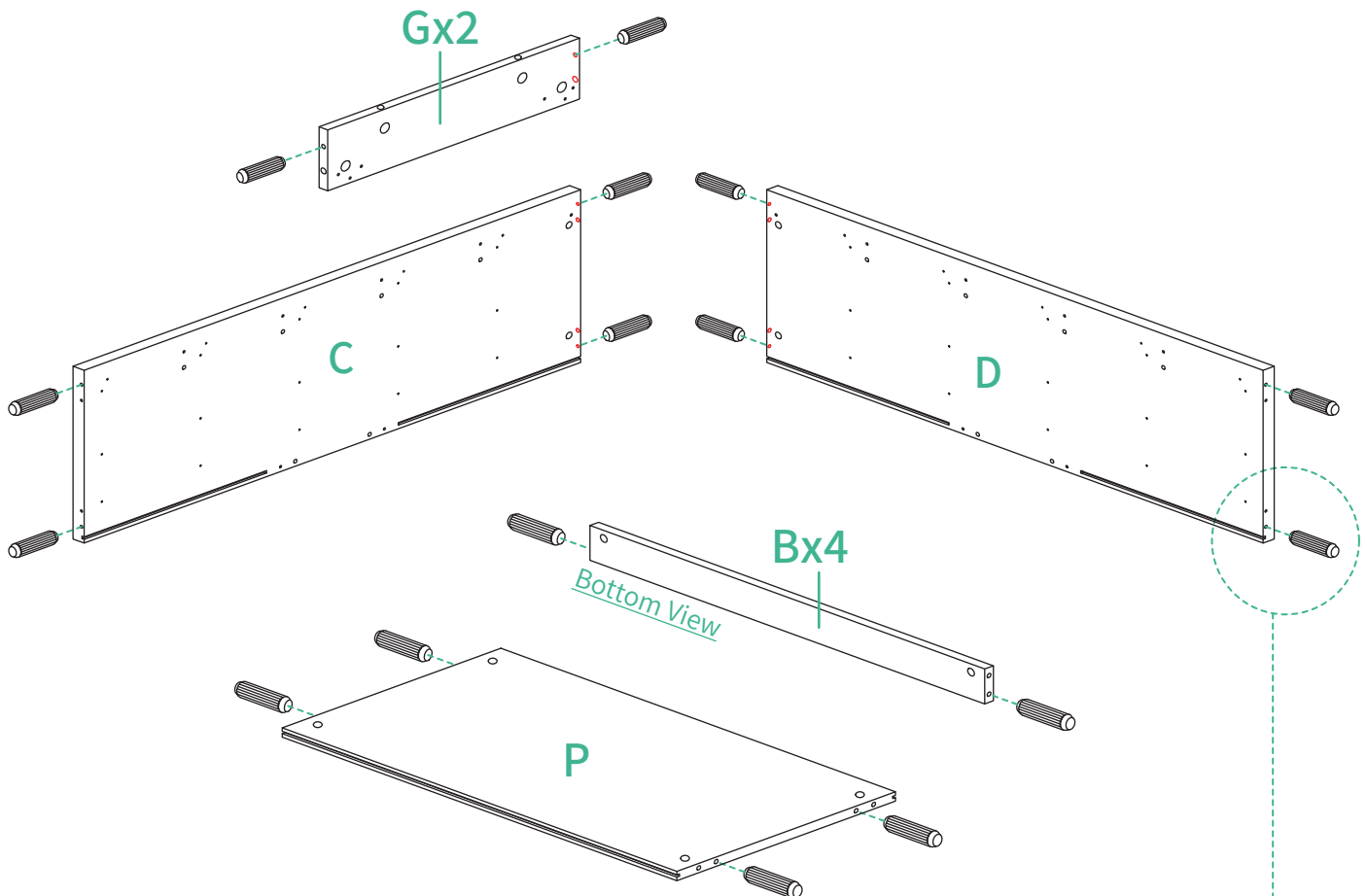
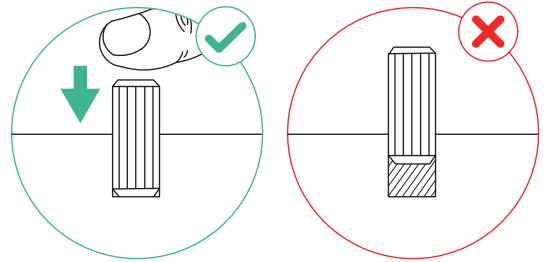
Parts List

<p>① x57</p>  <p>3 Spares</p>	<p>② x57</p>  <p>3 Spares</p>	<p>③ x67</p>  <p>M6x30</p> <p>3 Spares</p>	<p>④ x87</p>  <p>M3.5x12</p> <p>3 Spares</p>
<p>⑤ x12</p>  <p>M4x38</p> <p>2 Spares</p>	<p>⑥ x5</p>  <p>M6x50</p> <p>1 Spare</p>	<p>⑦ x12</p>  <p>M4x8</p> <p>2 Spares</p>	<p>⑧ x5</p>  <p>1 Spare</p>
<p>⑨ x1</p> 	<p>⑩ x5</p>  <p>10-CL/CR</p> <p>10-DL/DR</p>	<p>⑪ x1</p> 	<p>⑫ x9</p>  <p>1 Spare</p>
<p>⑬ x1</p> 			

Assembly Instructions

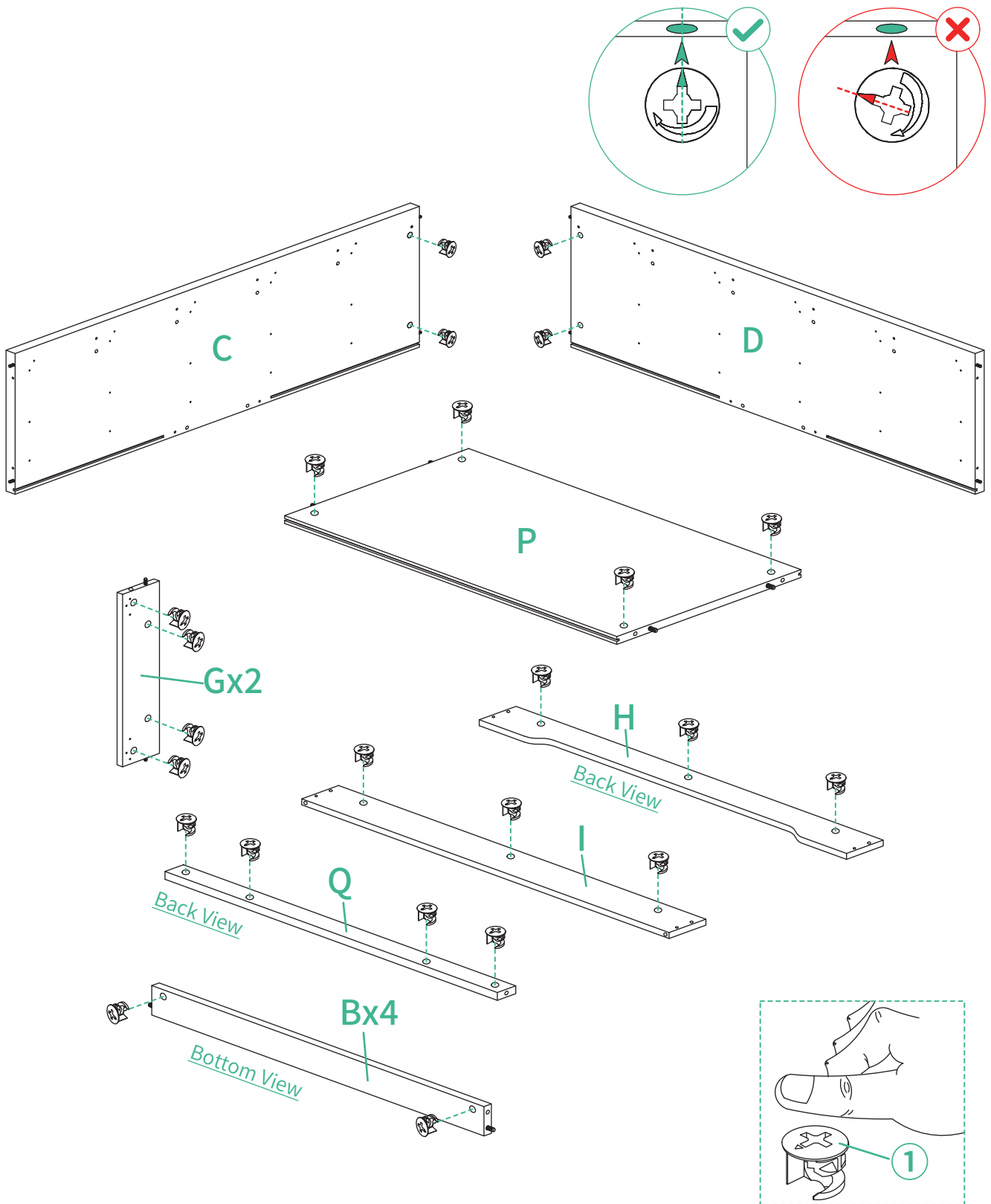
When installing, please lay soft pad on the ground to avoid scratch product.

1



Assembly Instructions

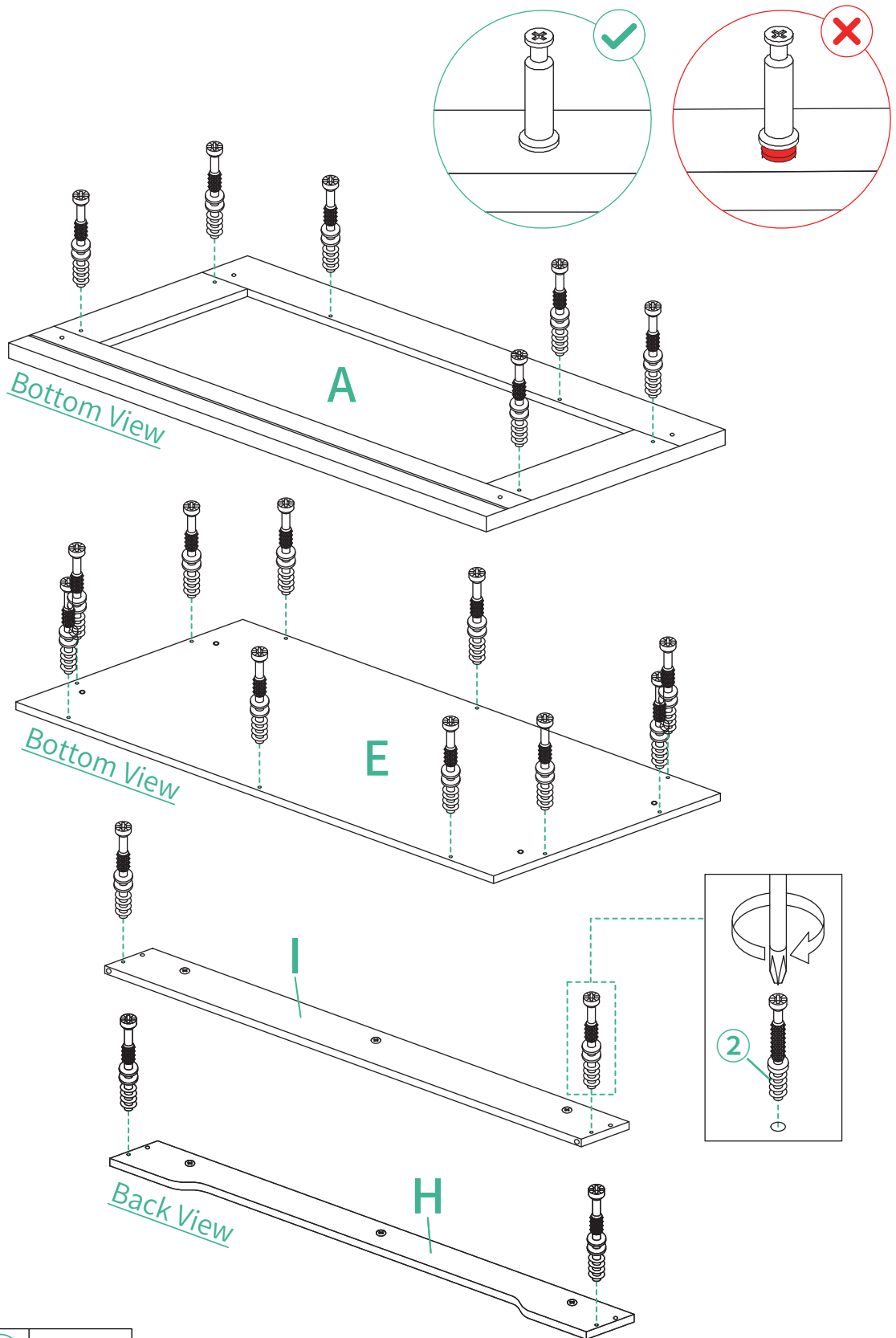
2





1		11	
x34		x1	

Assembly Instructions

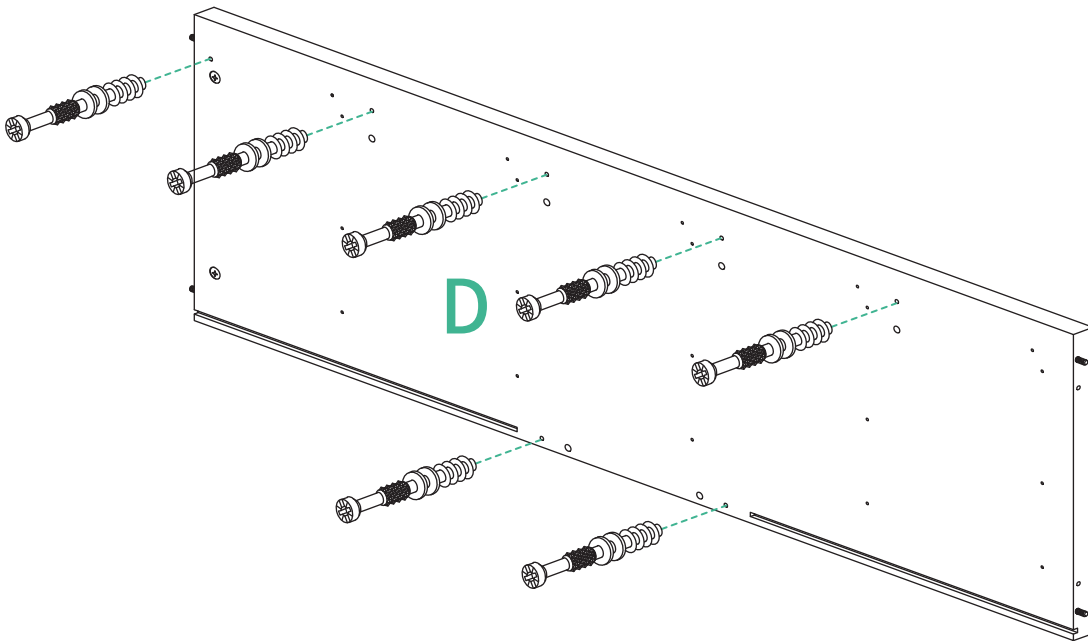
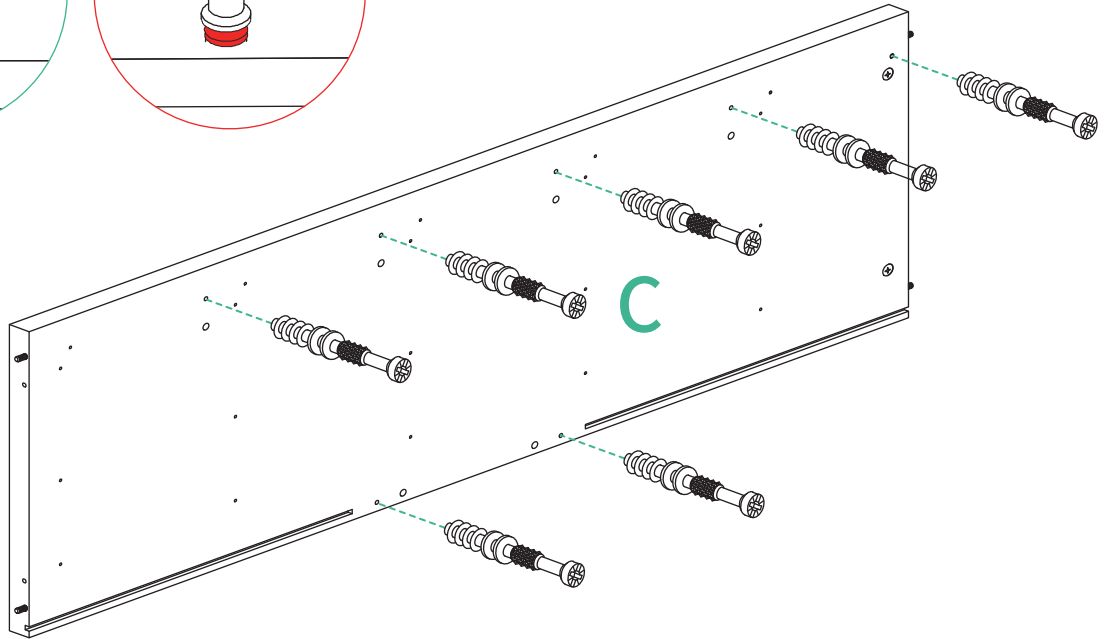
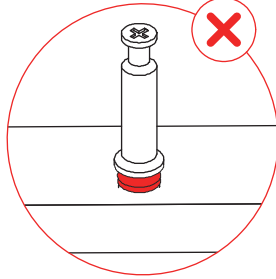
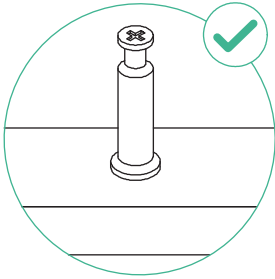
3-1


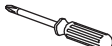


2		11	
x20		x1	

Assembly Instructions

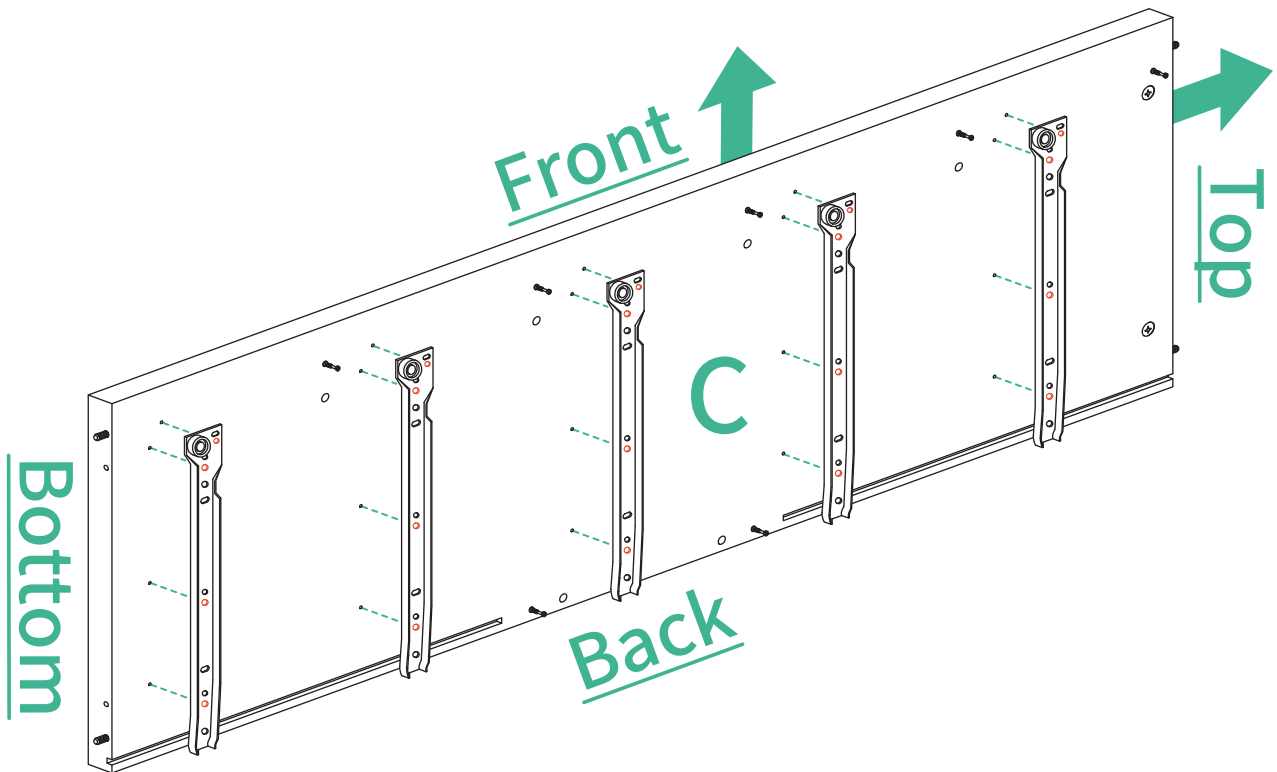
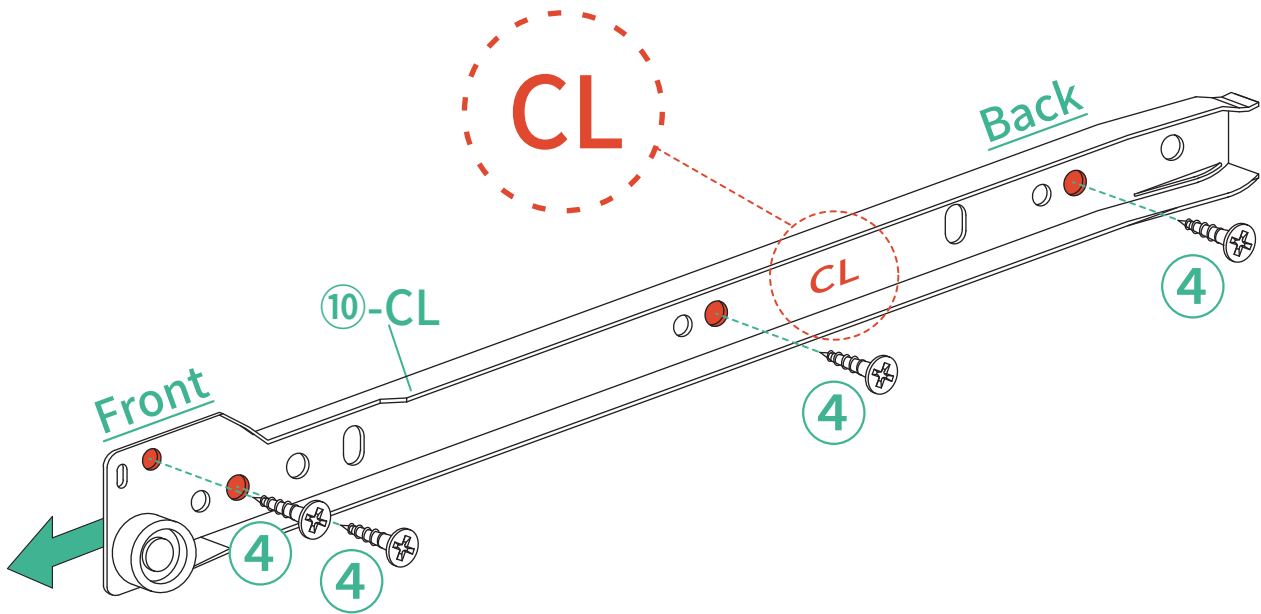
3-2



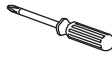


2		11	
x14		x1	

Assembly Instructions

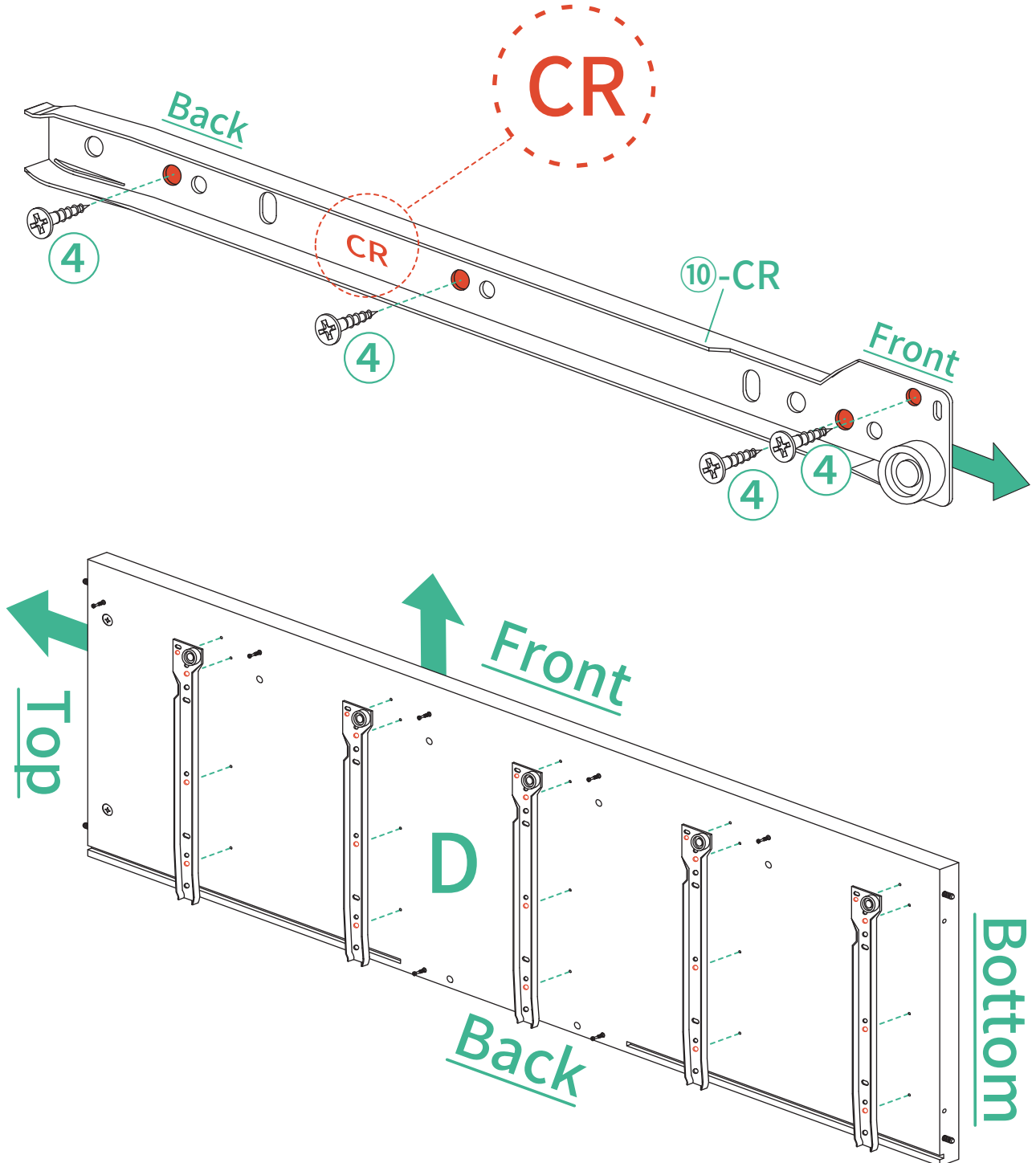
4-1



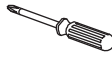


10-CL x5		4 x20		11 x1	
-------------	---	----------	---	----------	---

Assembly Instructions

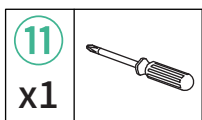
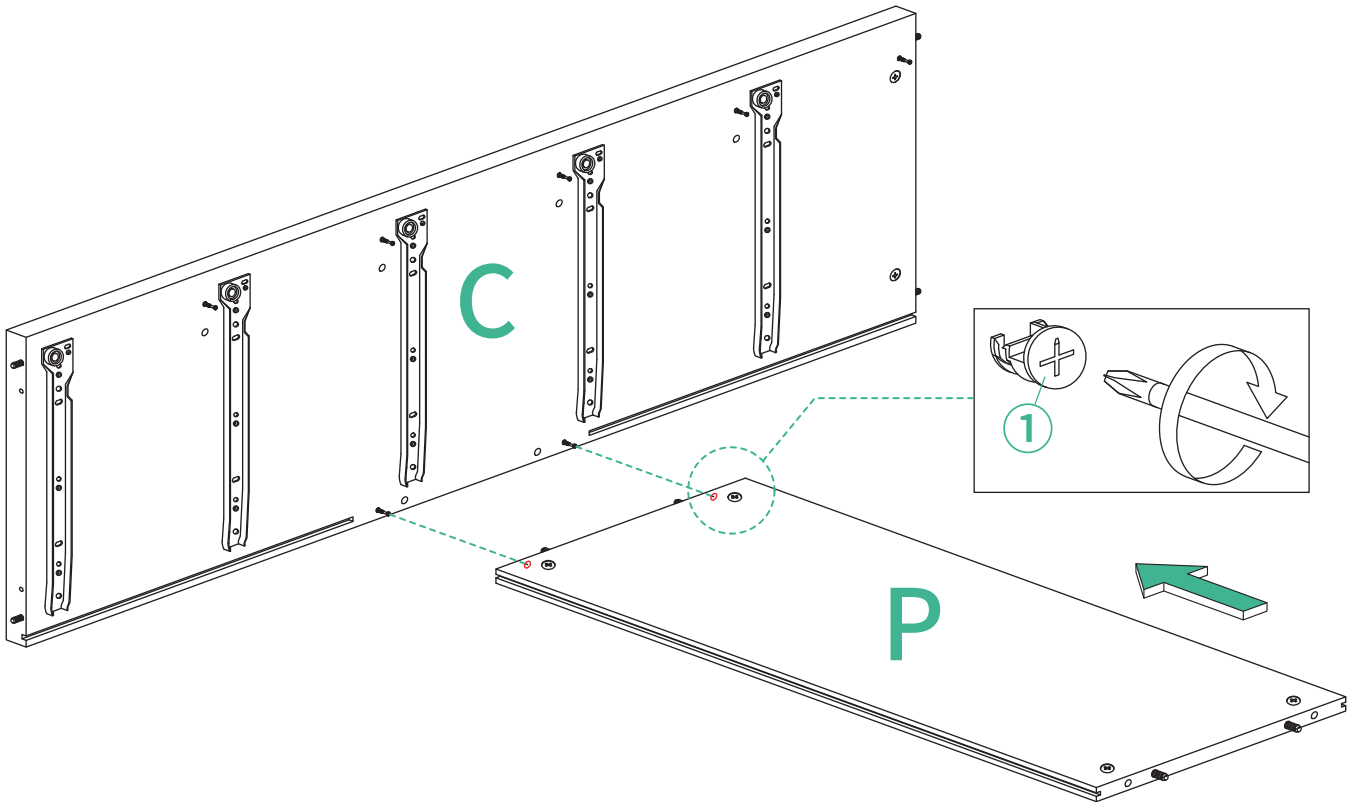
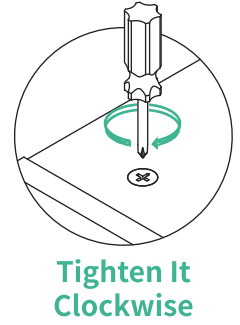
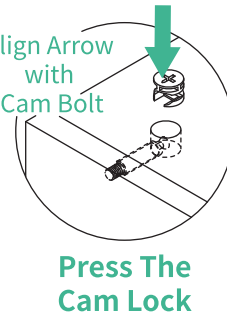
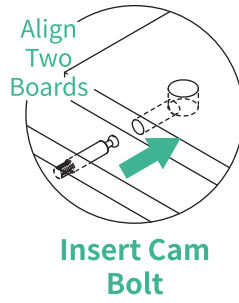
4-2



10-CR x5		4 x20		11 x1	
--------------------	---	-----------------	---	-----------------	---

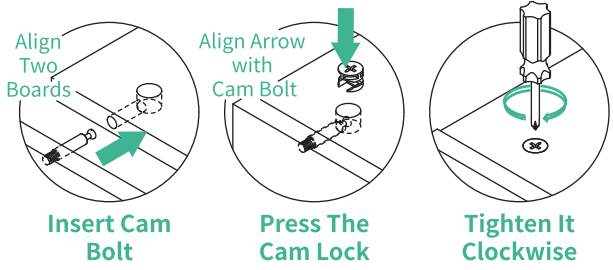
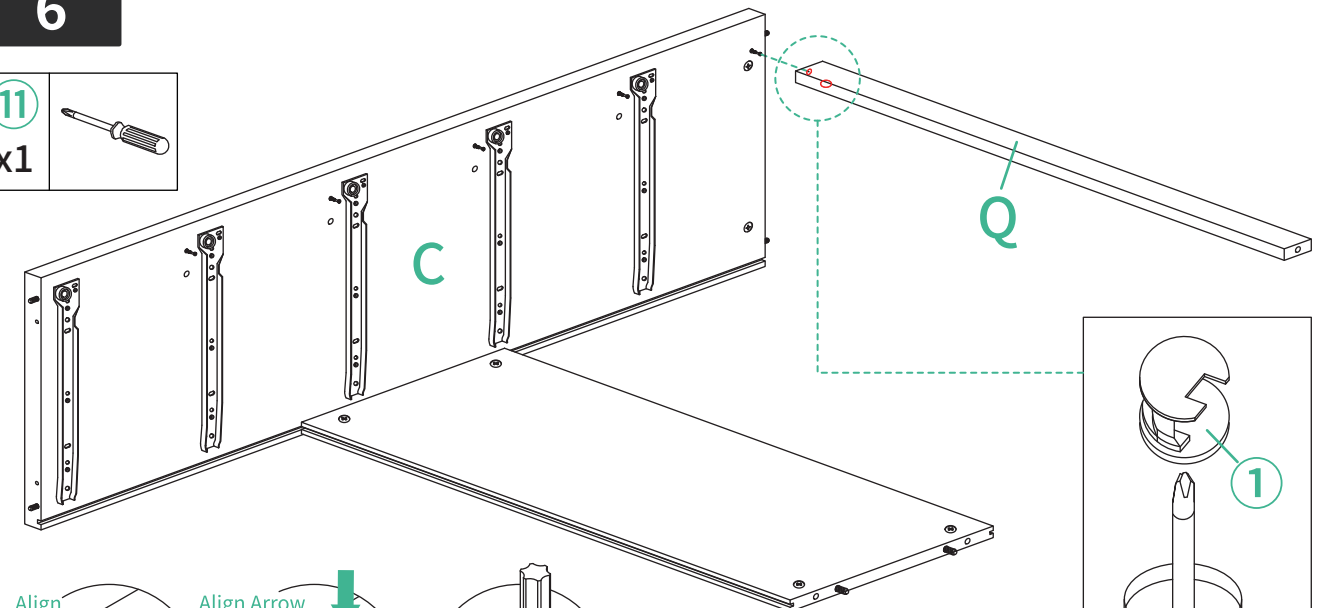
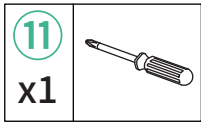
Assembly Instructions

5

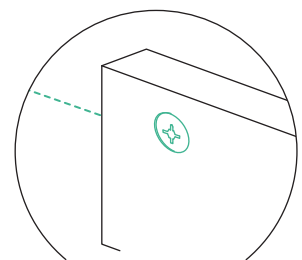
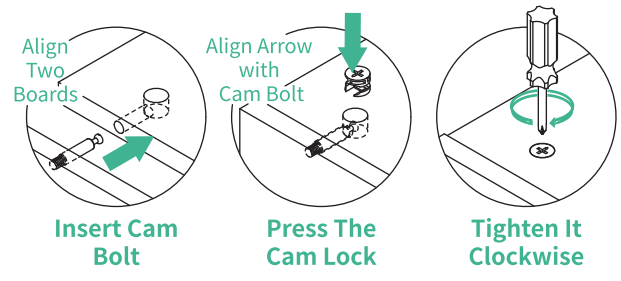


Assembly Instructions

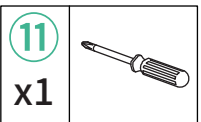
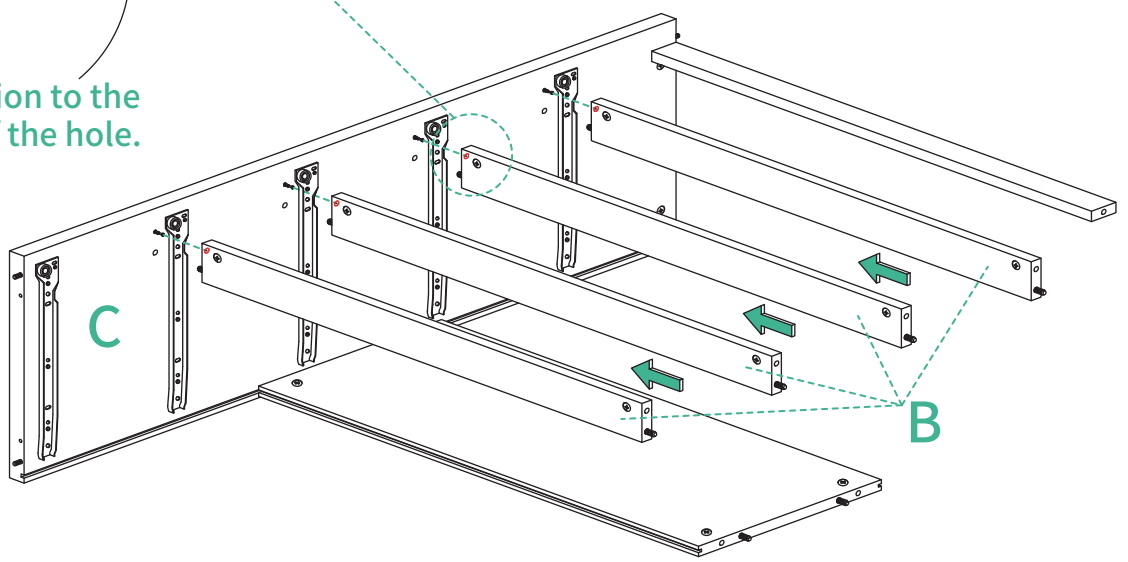
6



7

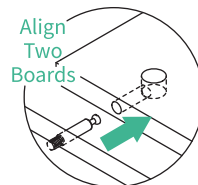
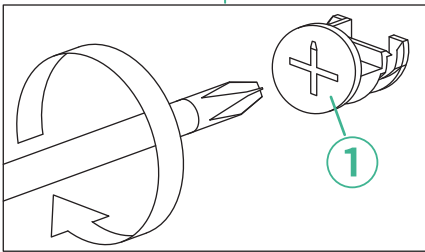
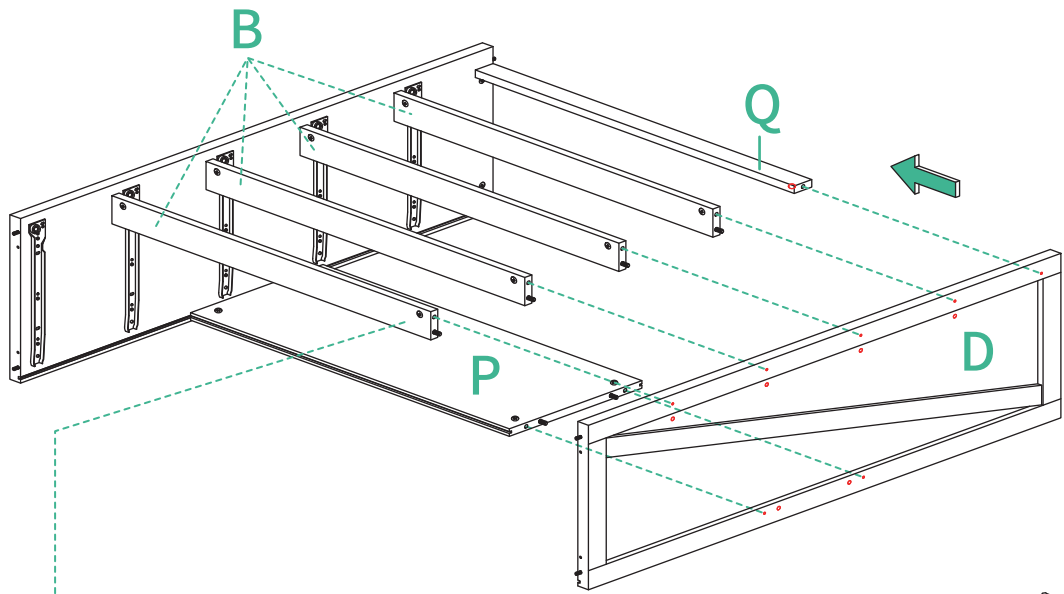
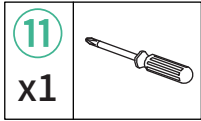


Pay attention to the position of the hole.

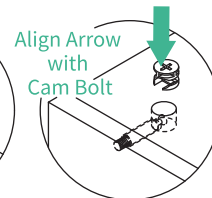


Assembly Instructions

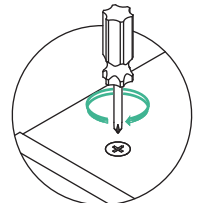
8



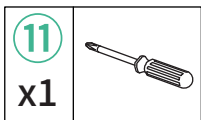
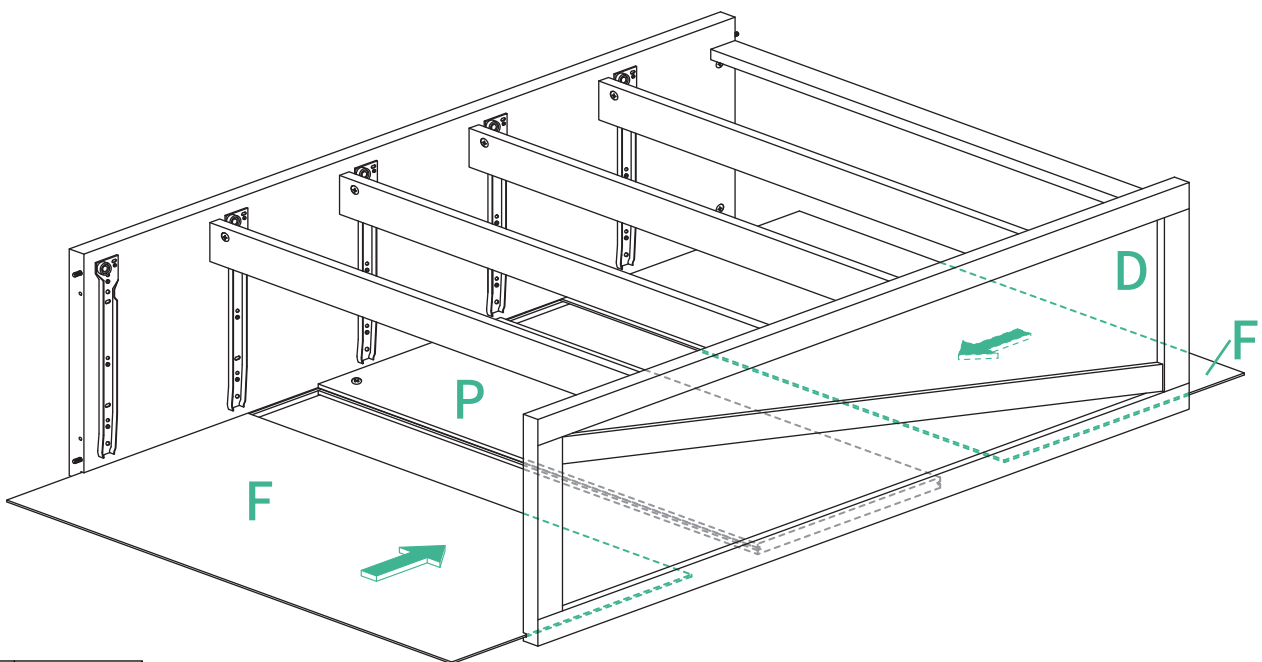
Insert Cam Bolt



Press The Cam Lock



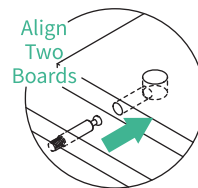
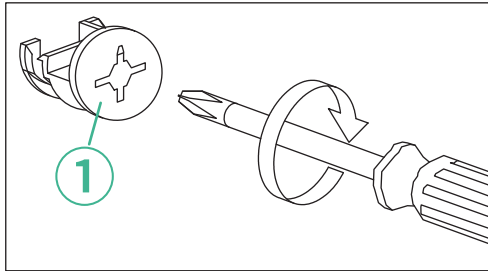
9



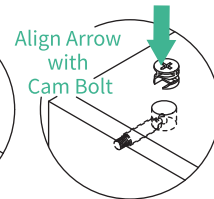
Assembly Instructions

10

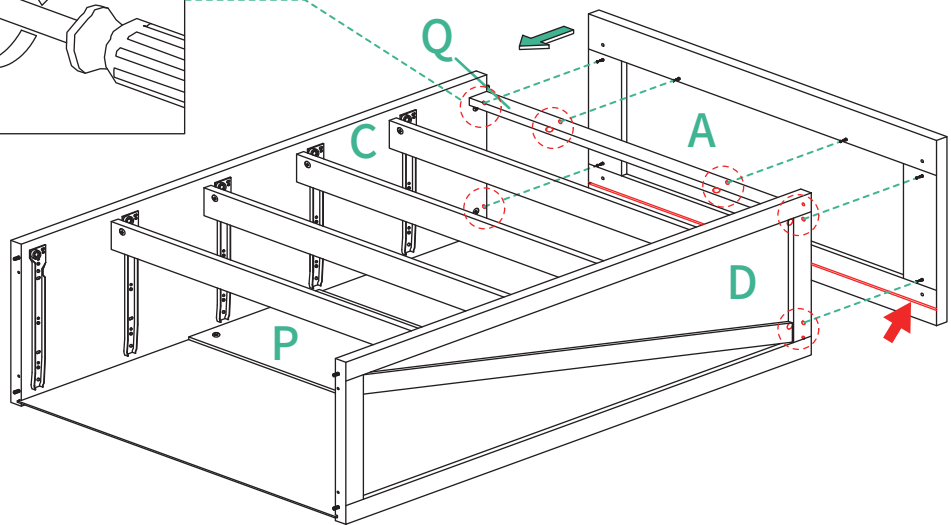
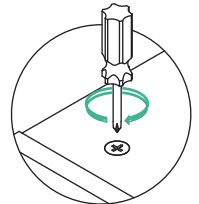
Please ensure the thin plate is inserted into the slot.



Insert Cam Bolt

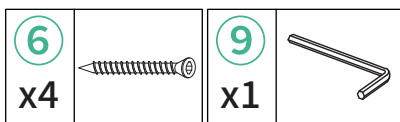
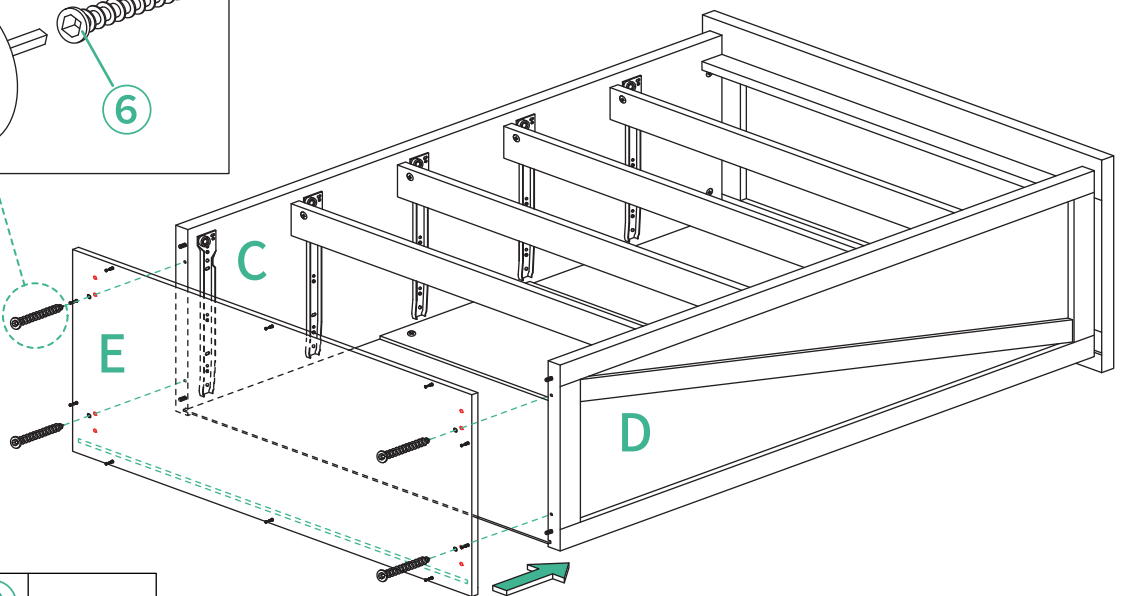
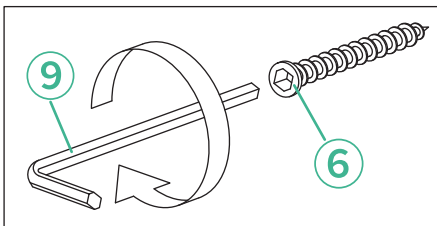


Press The Cam Lock

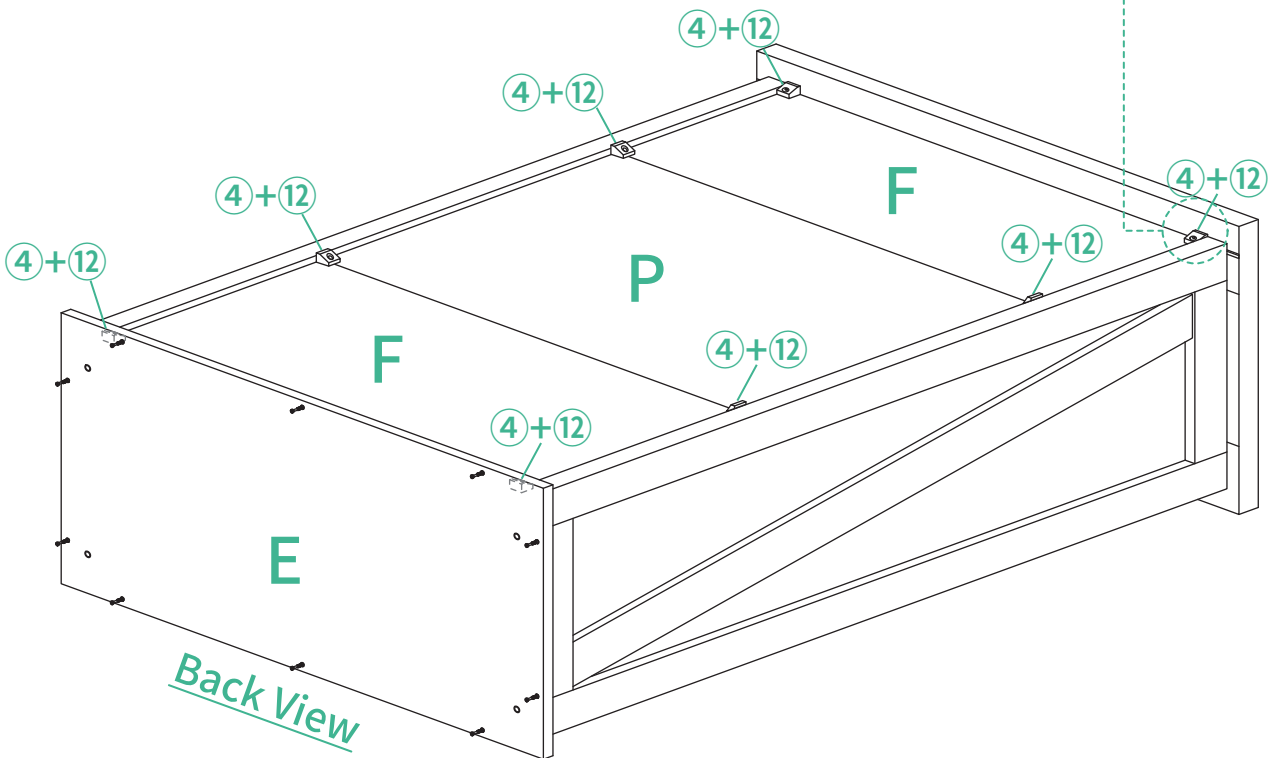
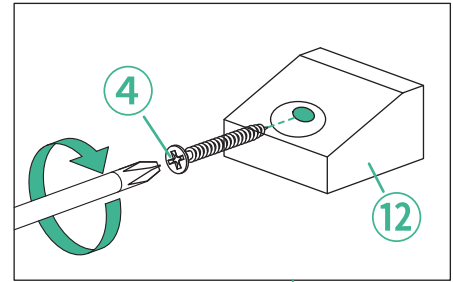


11

Please ensure the thin plate is inserted into the slot.



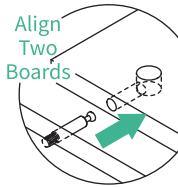
12



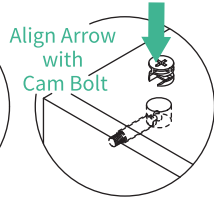
4 x8		11 x1		12 x8	
----------------	--	-----------------	--	-----------------	--

Assembly Instructions

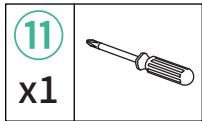
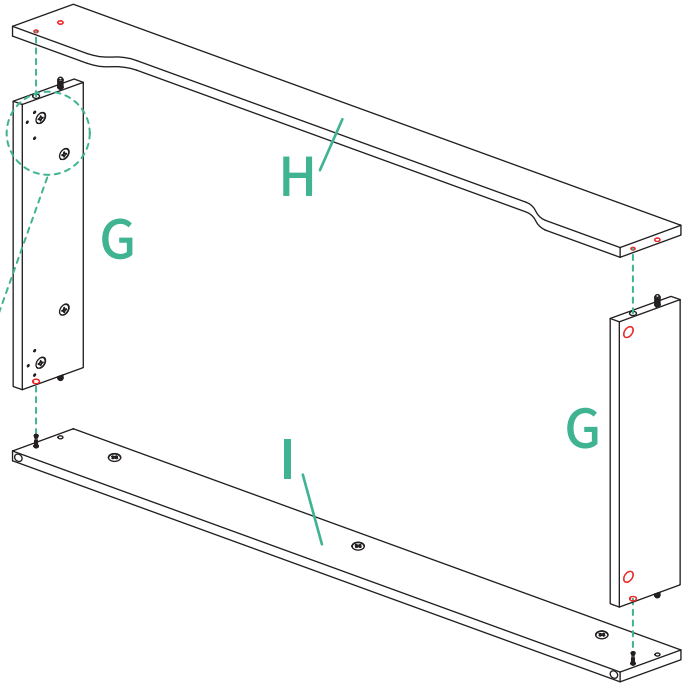
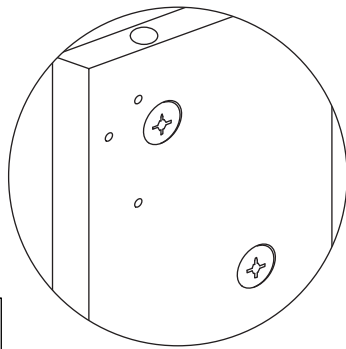
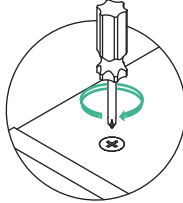
13



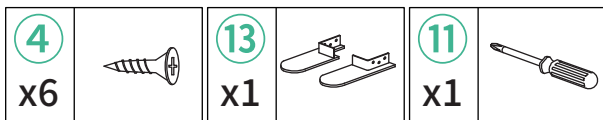
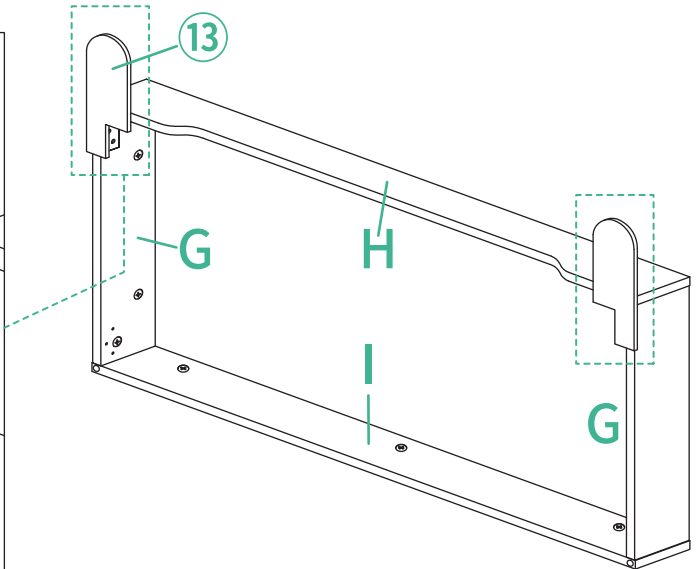
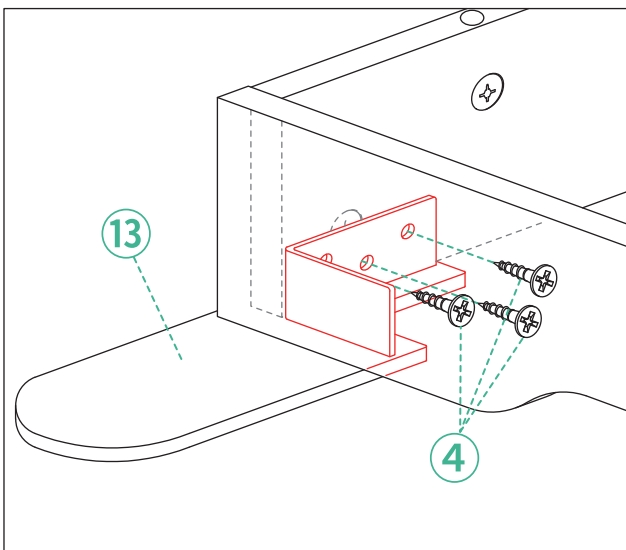
Insert Cam Bolt



Press The Cam Lock

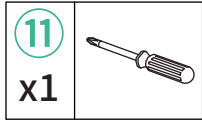
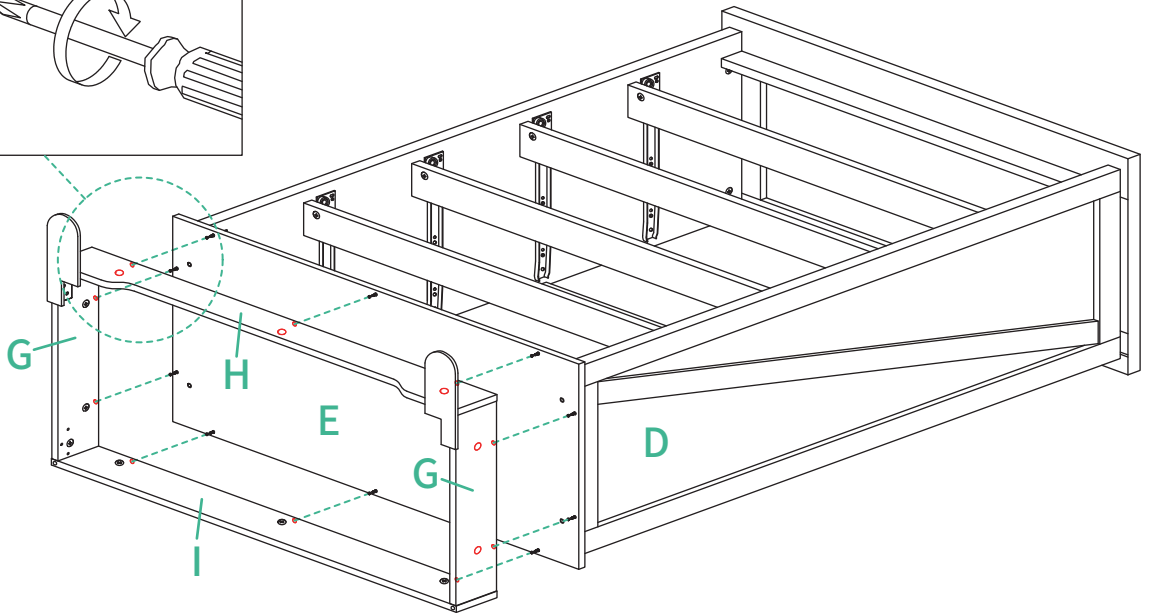
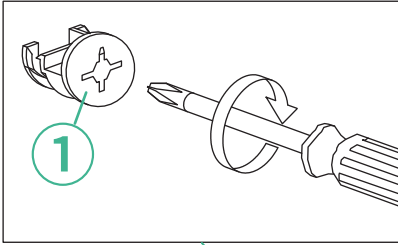


14

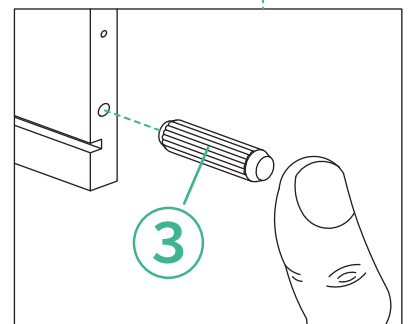
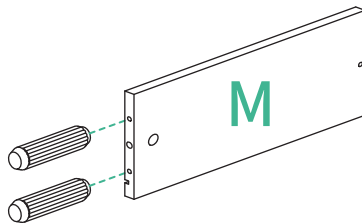
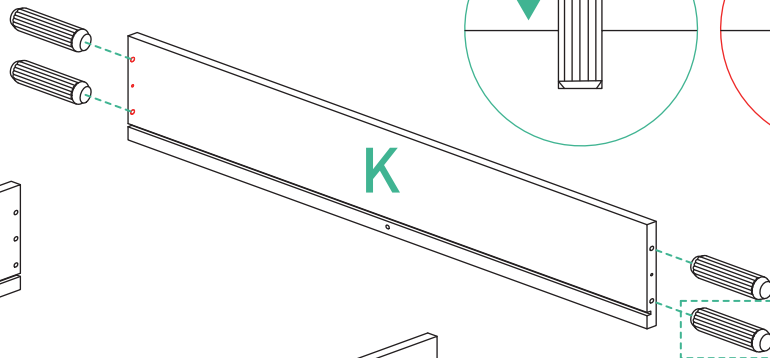
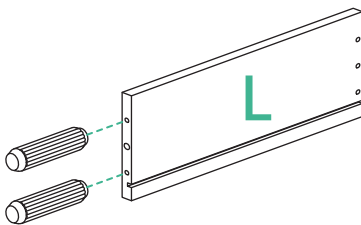
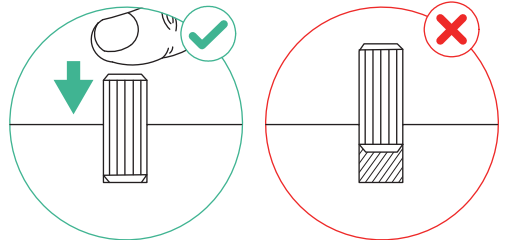


Assembly Instructions

15



16

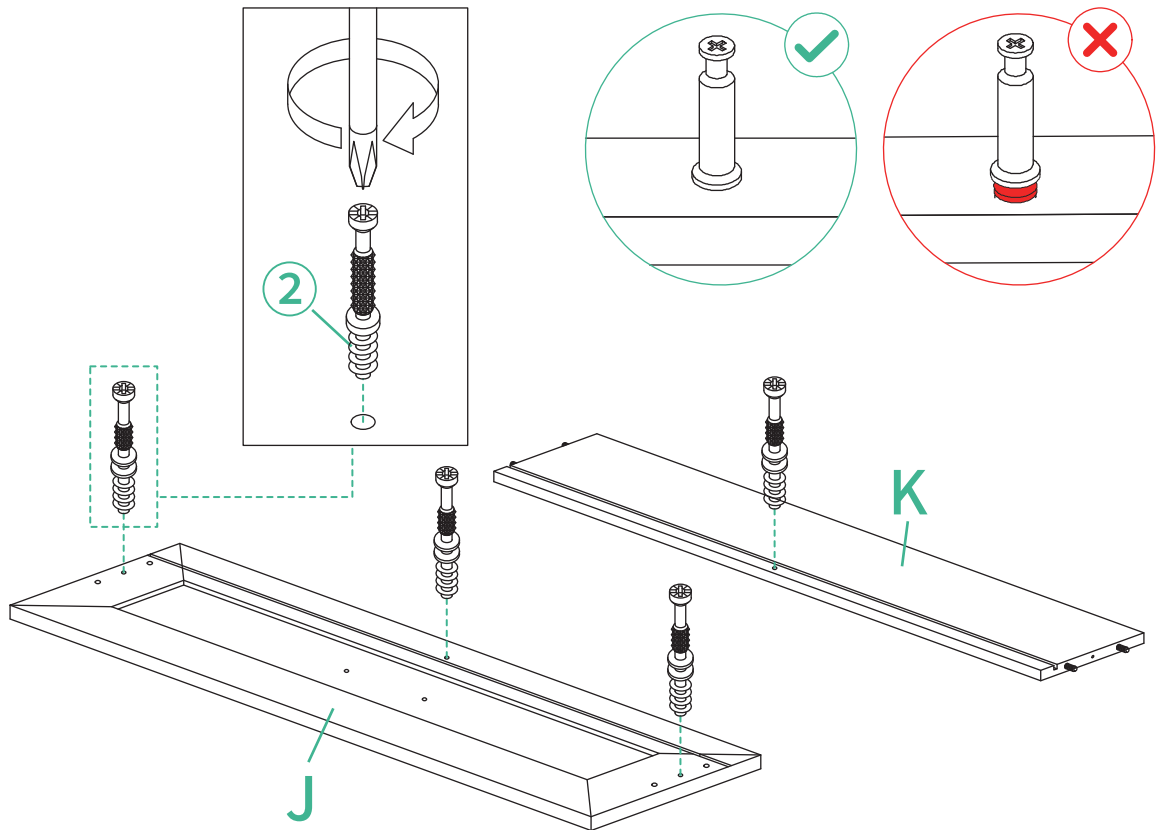
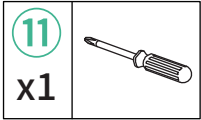
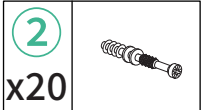


x5



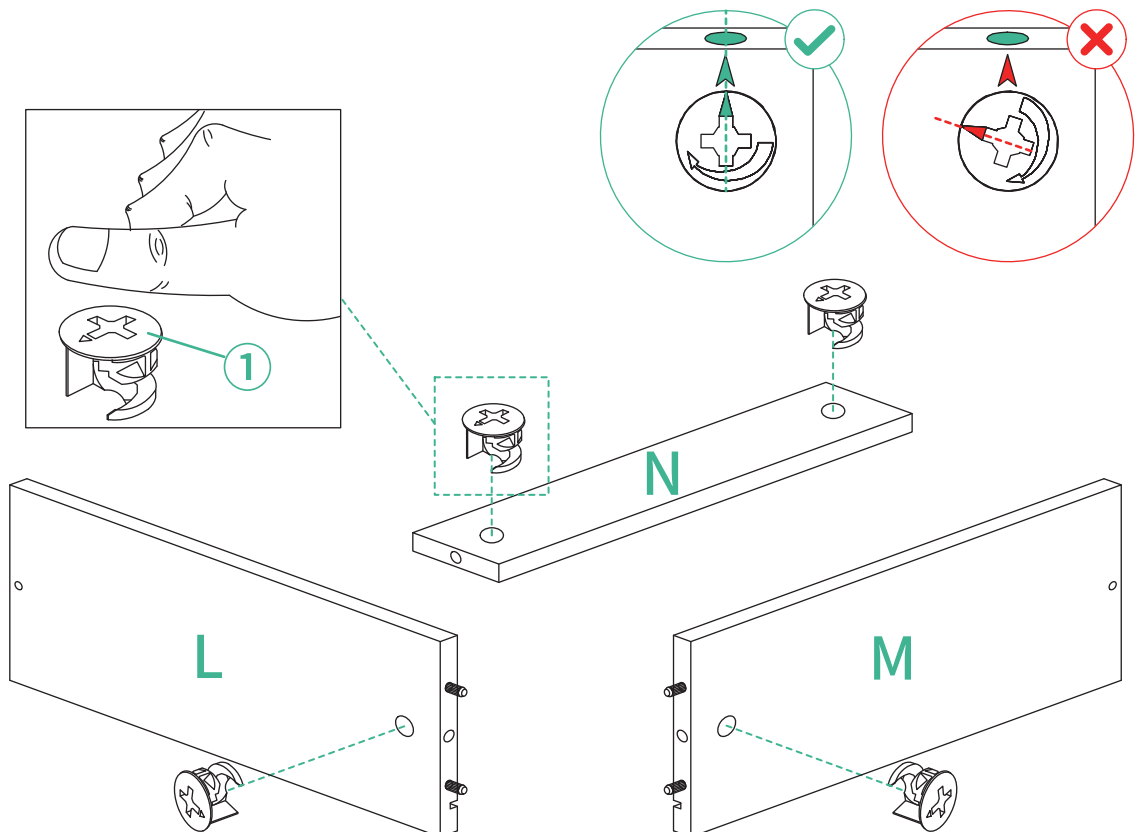
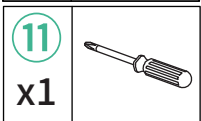
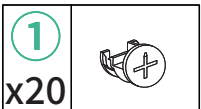
Assembly Instructions

17



x5

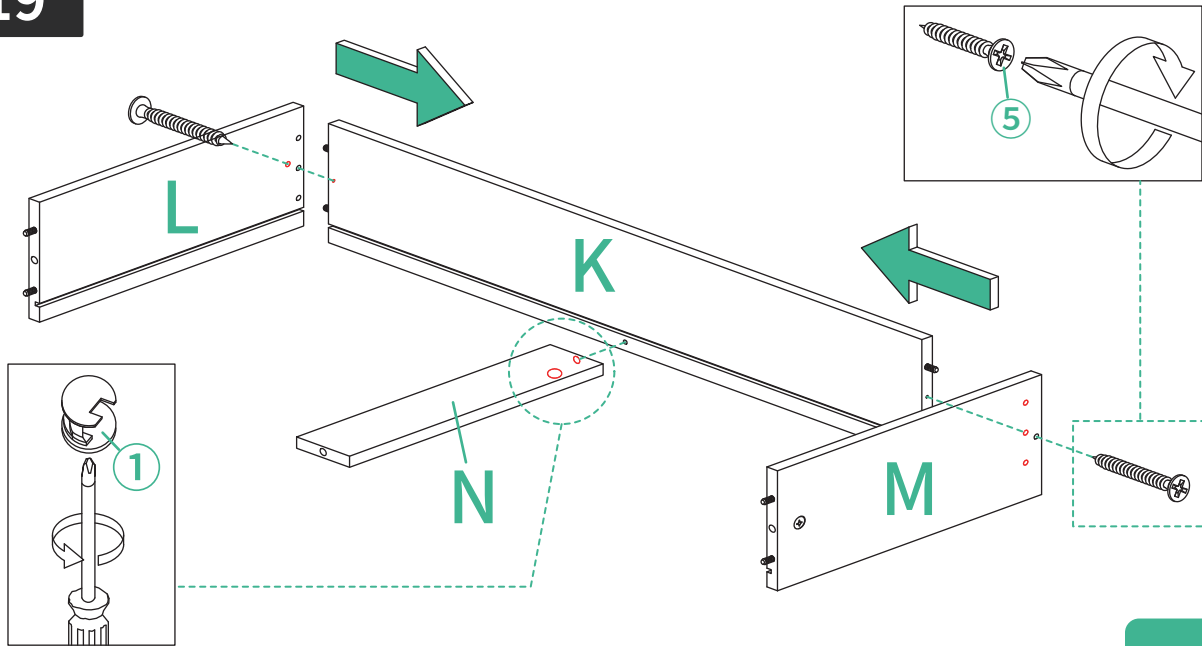
18



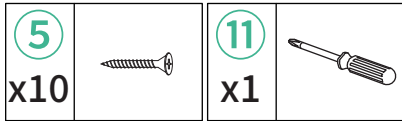
x5

Assembly Instructions

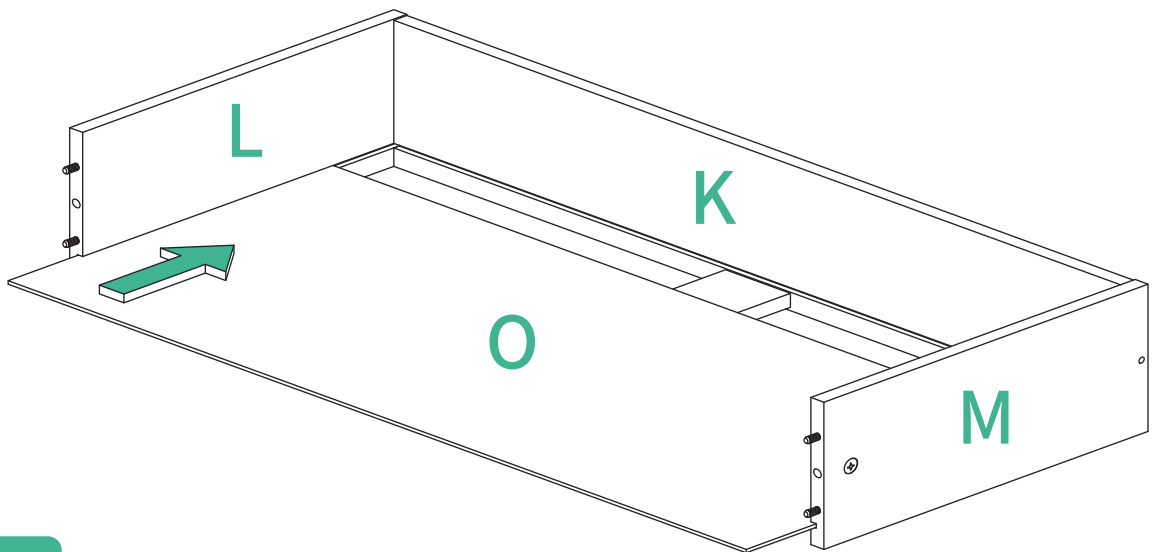
19



x5



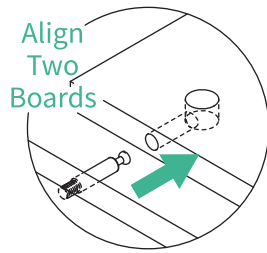
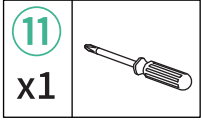
20



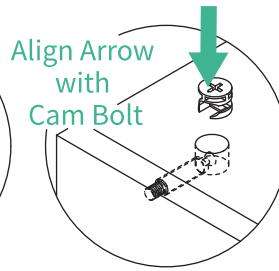
x5

Assembly Instructions

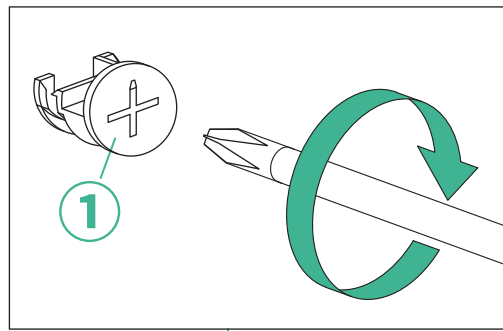
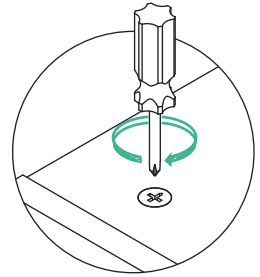
21



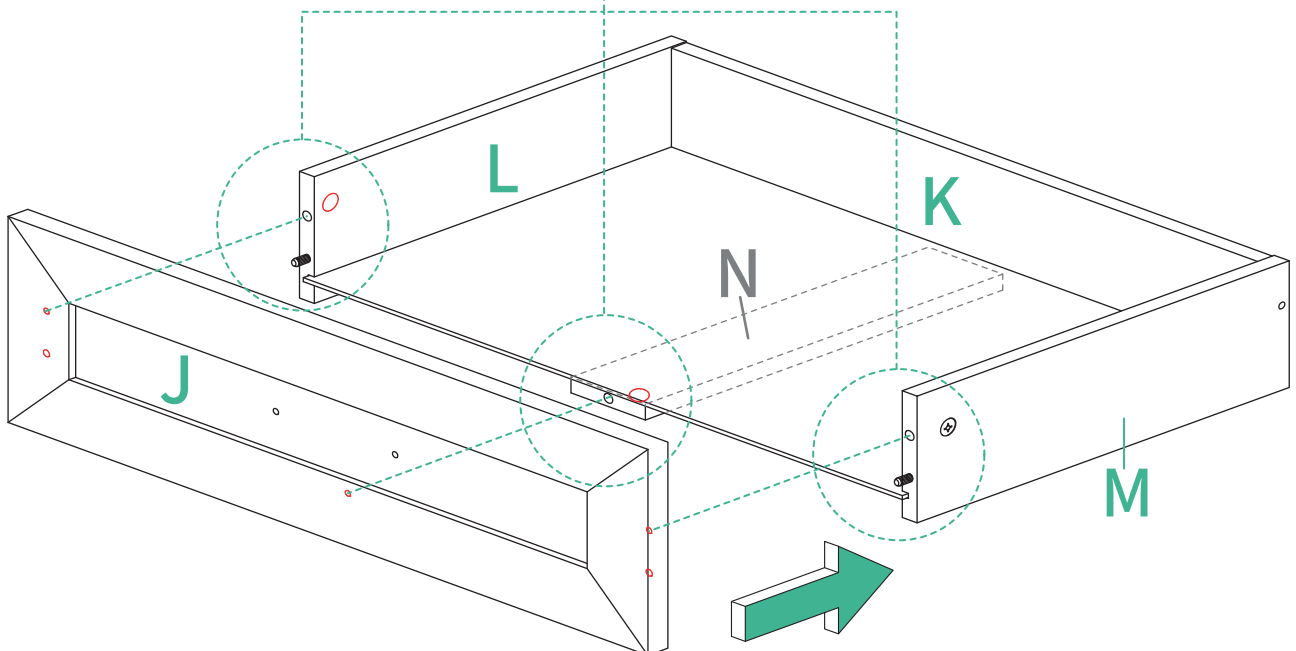
Insert Cam Bolt



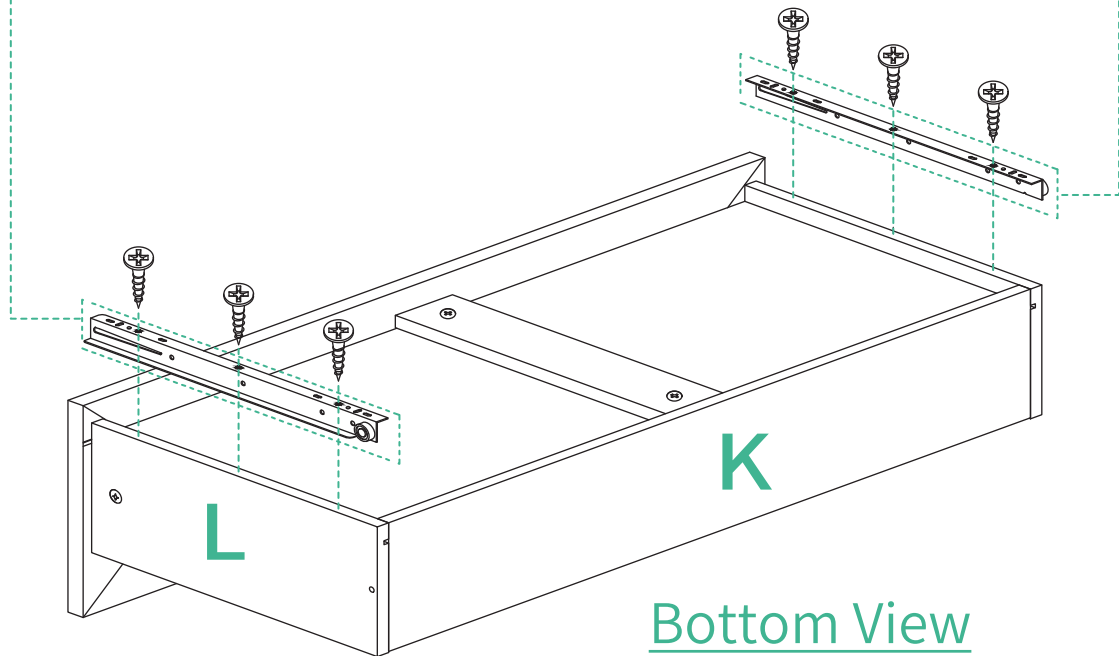
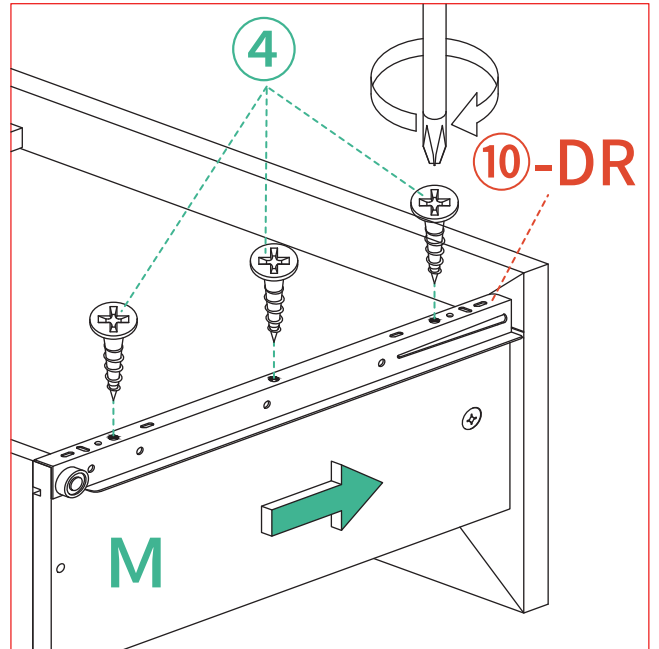
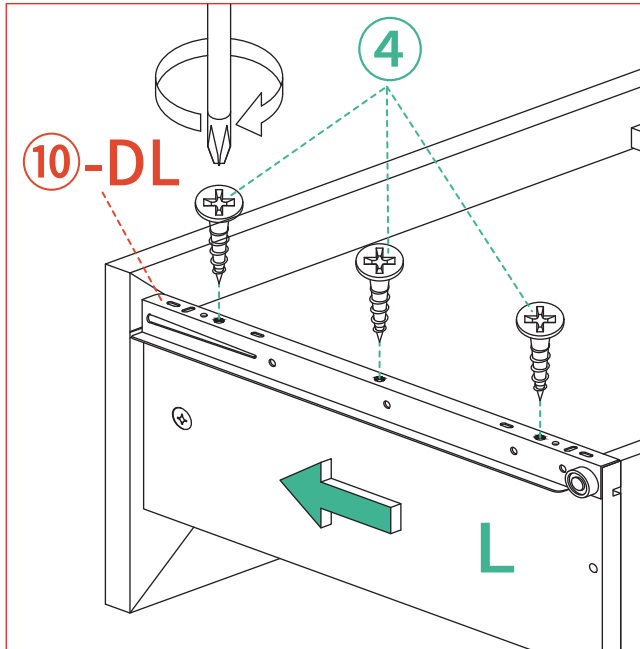
Press The Cam Lock



x5

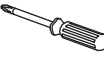


22

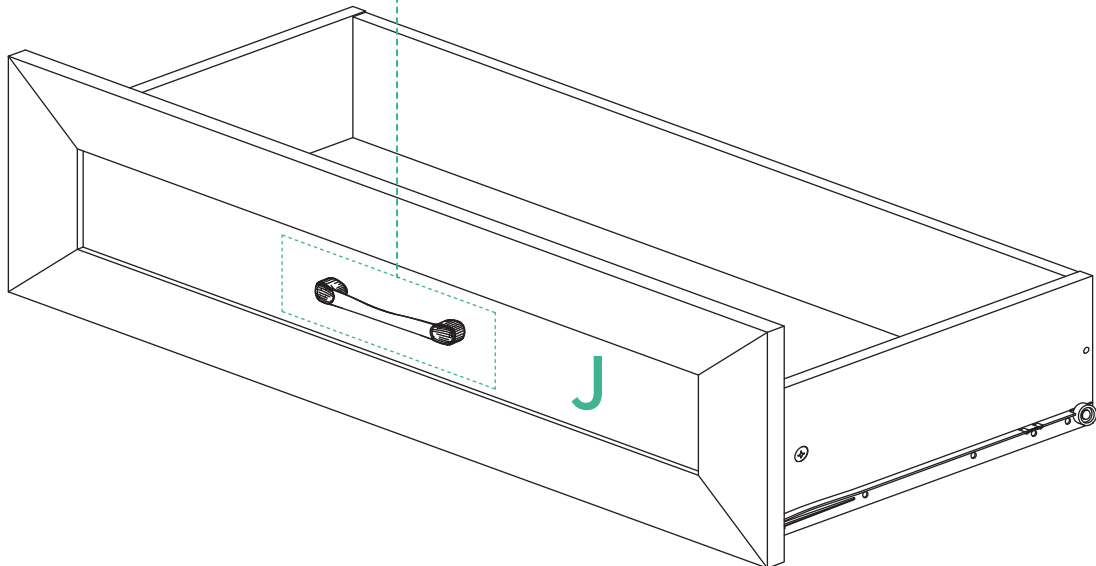
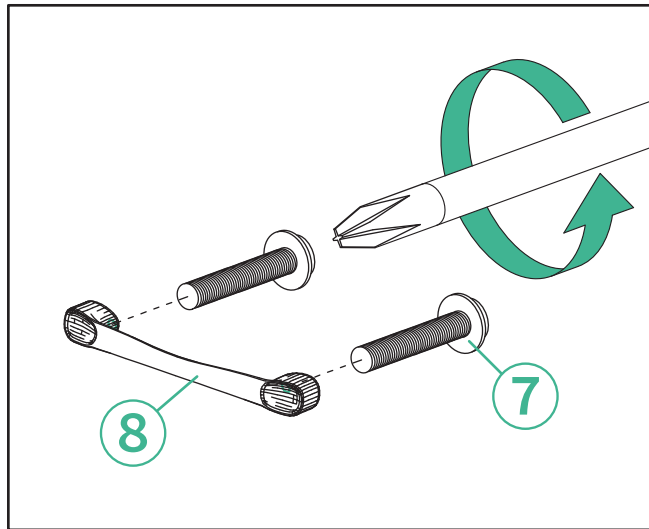


Bottom View

x5

<p>10-DL+DR x5</p>		<p>4 x30</p>		<p>11 x1</p>	
------------------------	---	------------------	---	------------------	---

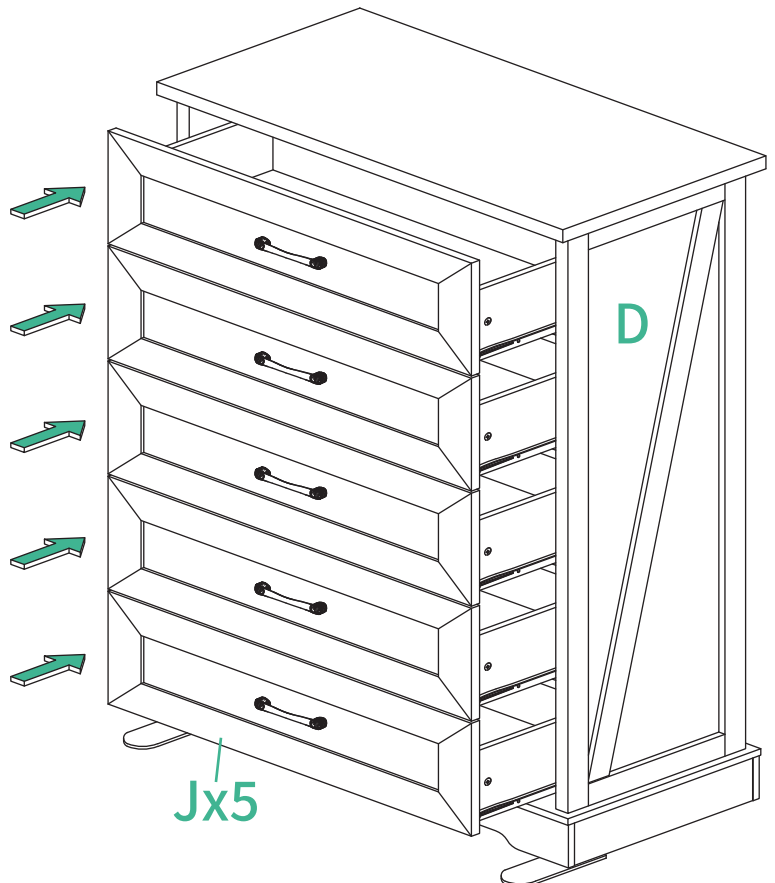
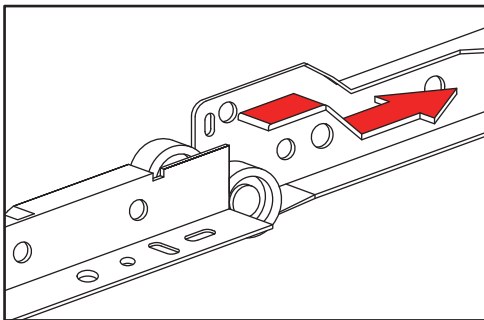
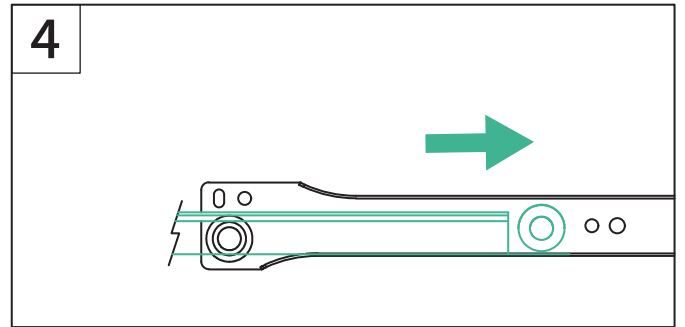
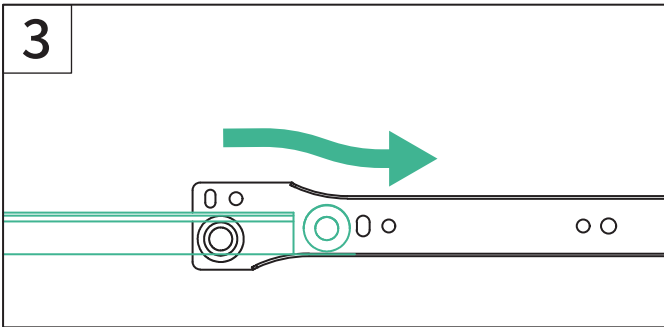
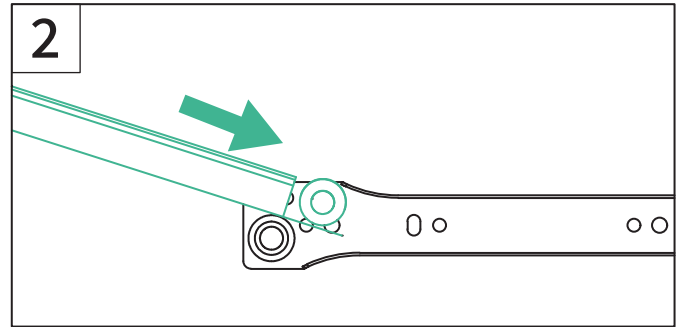
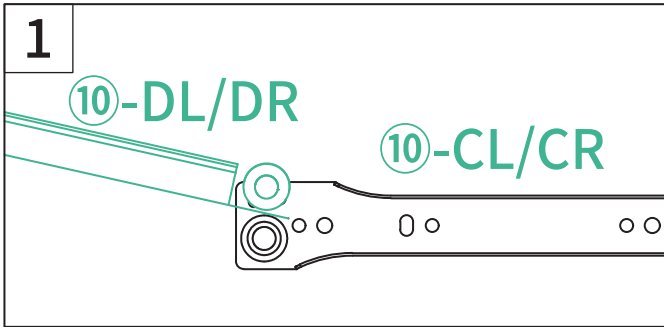
23



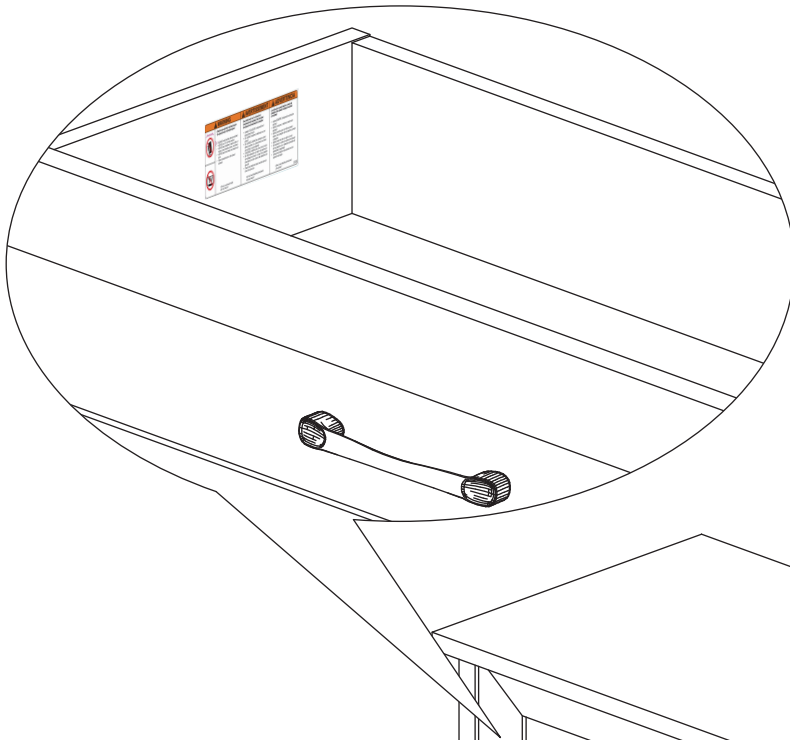
x5



24



25



Please place the warning label drawer on the upper level





30 DAY Return Policy

If you're not completely satisfied with your purchase, please return the merchandise via our Official Customer Support. Unused merchandise can be refunded or exchanged within 30 days of purchase.



1-Year Warranty

We guarantee your product is free from defects in product material and workmanship for one (1) year starting from the date of purchase during normal use of household conditions. If your appliance fails to operate properly within our warranty period, we will arrange a new one. Replacement is free and all shipping costs are covered.



Quick Response within 24 Hours

If you are still unable to resolve the issue you are experiencing, please contact us immediately via our support email. It doesn't matter if the product has been installed or not, our customer support team will respond within 24 hours and assist you quickly and efficiently. The most efficient way to confirm your problem to us is to attach a video, which illustrates your product issues.

Problems You May Encounter

PART	PROBLEM	SOLUTION
Whole Product	Parts are missing, defective or having wrong parts in package.	Contact us via our after-sales phone or email. We will respond within 24 hours.
	Having issue(s) while reading the instruction or completing the assembly.	Contact us via our after-sales phone or email. We will respond within 24 hours.
	Encountering non-human caused damage during use.	If the product is damaged due to non-human causes, please keep the product and send us photos of it. We will ascertain the cause of the product damage within 48 hours and provide you with a satisfactory solution.
Furniture Surface	Surface is broken, scratched or lack of some screw holes.	Contact us via our after-sales phone or email. We will respond within 24 hours.
	The screw holes that on the board and the frame don't line up.	<ol style="list-style-type: none"> 1. Tighten the screws only 70% of the way. Do not fully tighten the screws until all parts are aligned. 2. Adjust the board and frame until the holes align, then fully tighten all screws.
	Surface is uneven or not tight that has gaps after being assembled.	<ol style="list-style-type: none"> 1. Loosen the screws in the uneven or gap positions; adjust until the surface is flat and tight, and then tighten the screws. 2. If your problem still can't be solved, please feel free to contact us.
Structure Frame	Components are bent, broken, chipped, rusted, or damaged.	Contact us via our after-sales phone or email. We will respond within 24 hours.
	The furniture is unstable after being assembled.	<ol style="list-style-type: none"> 1. Check if all screws are fully tightened. 2. Read through the manual and check if any parts are installed incorrectly or missing. 3. If the problem persists, please contact us.
	Encountering non-human caused damage during use.	If the product is damaged due to non-human causes, please keep the product and send us photos of it. We will ascertain the cause of the product damage within 48 hours and provide you with a satisfactory solution.