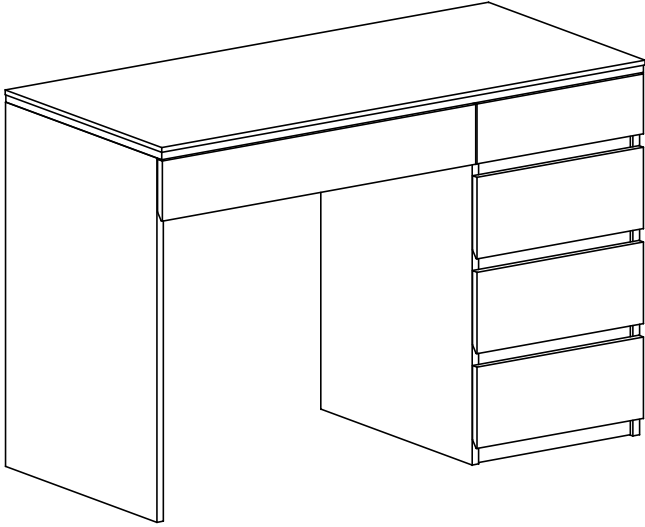
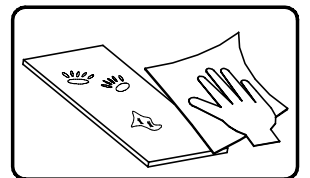
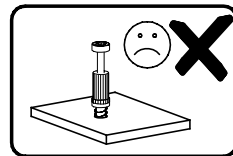
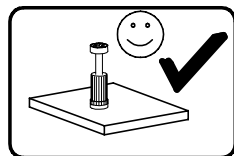
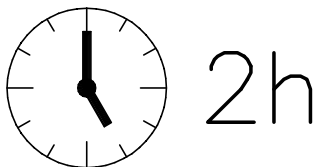
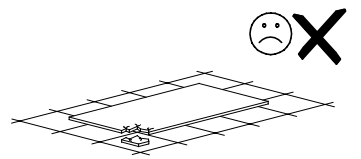
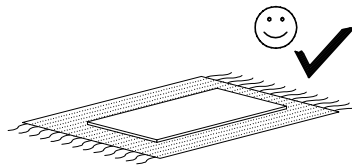
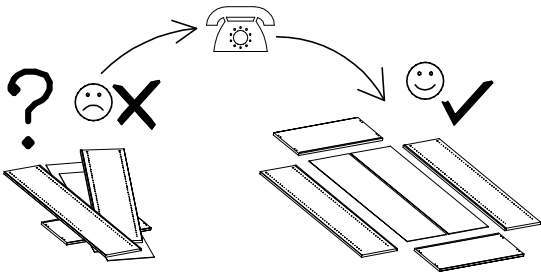
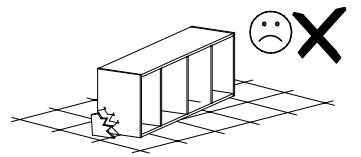
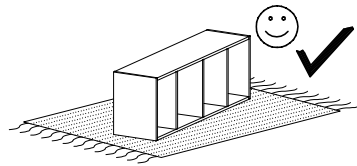
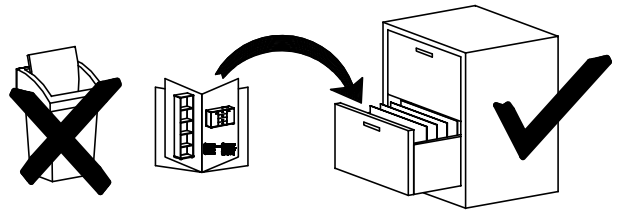
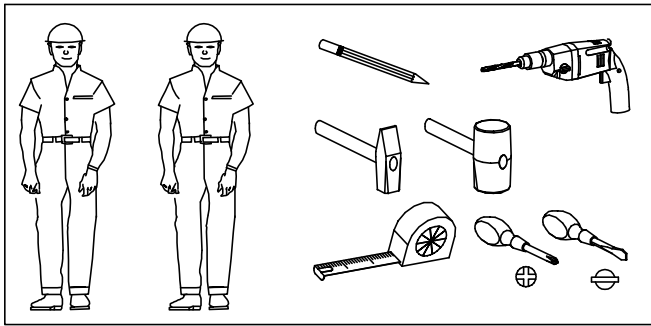
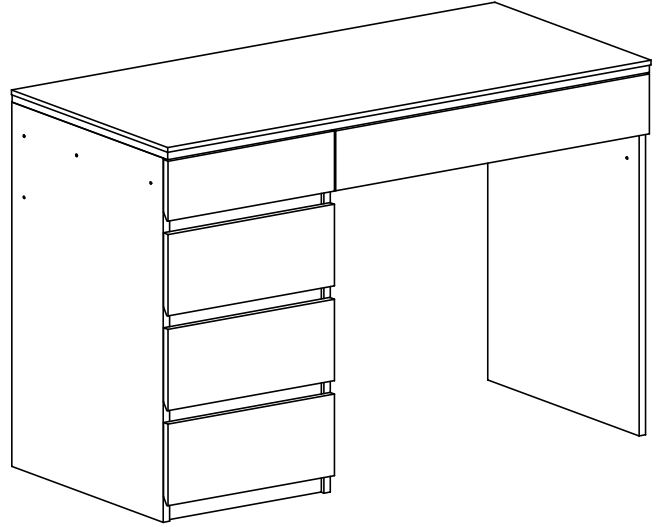
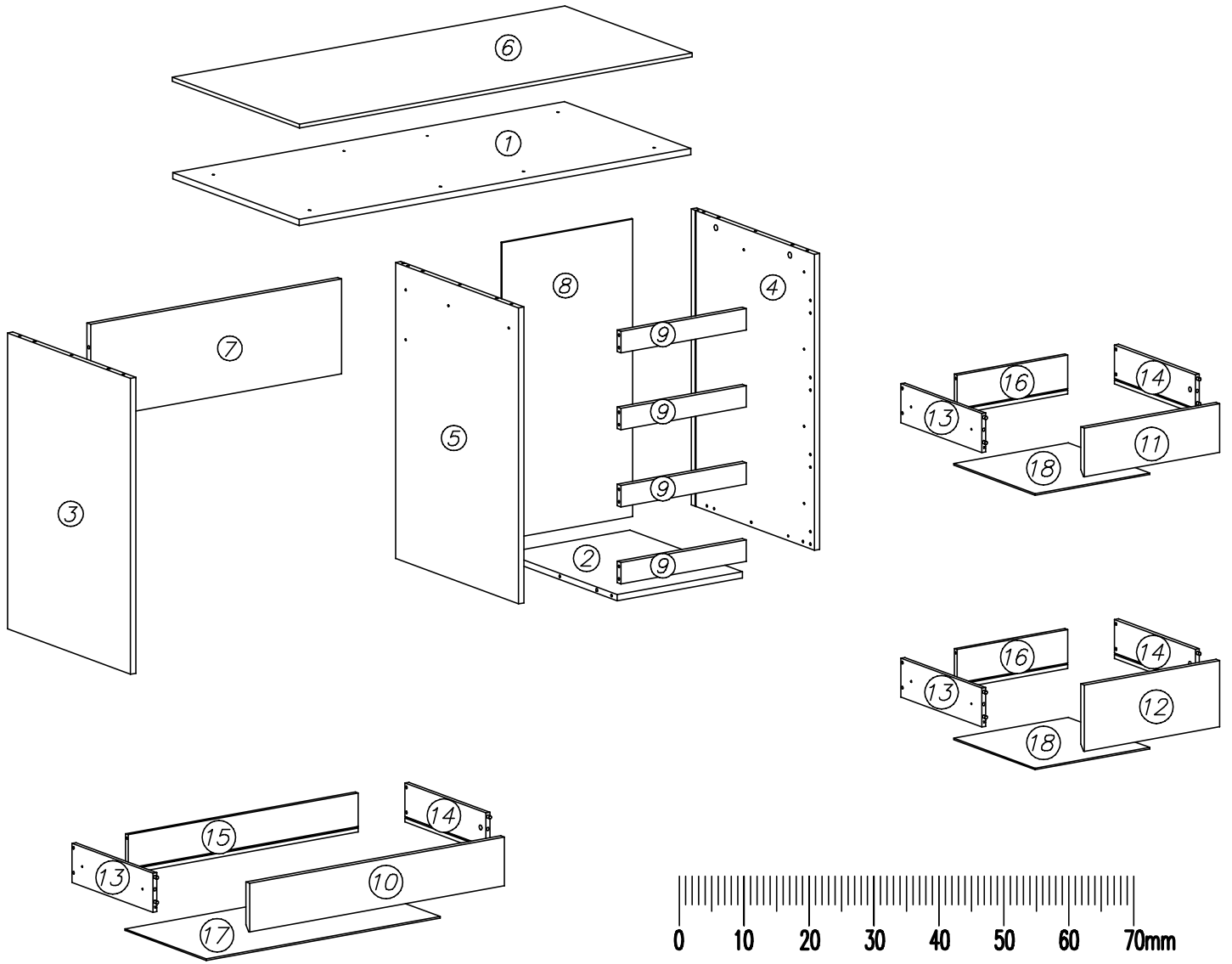
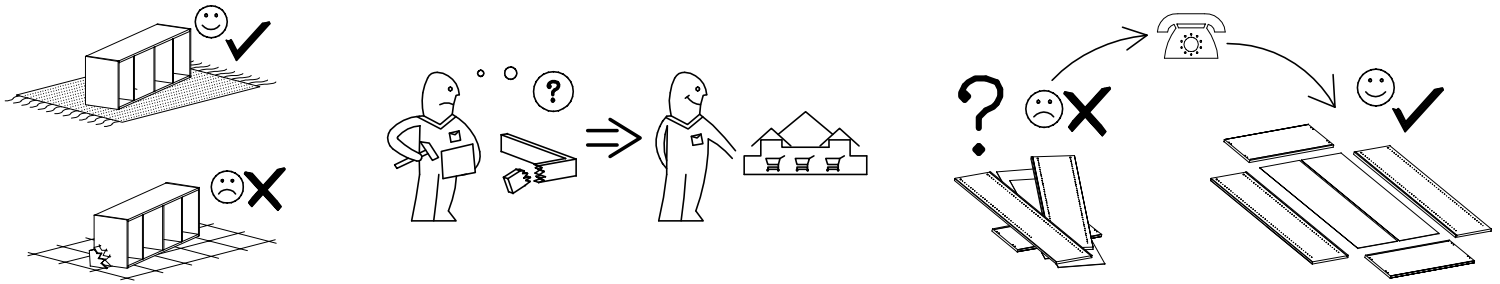


L



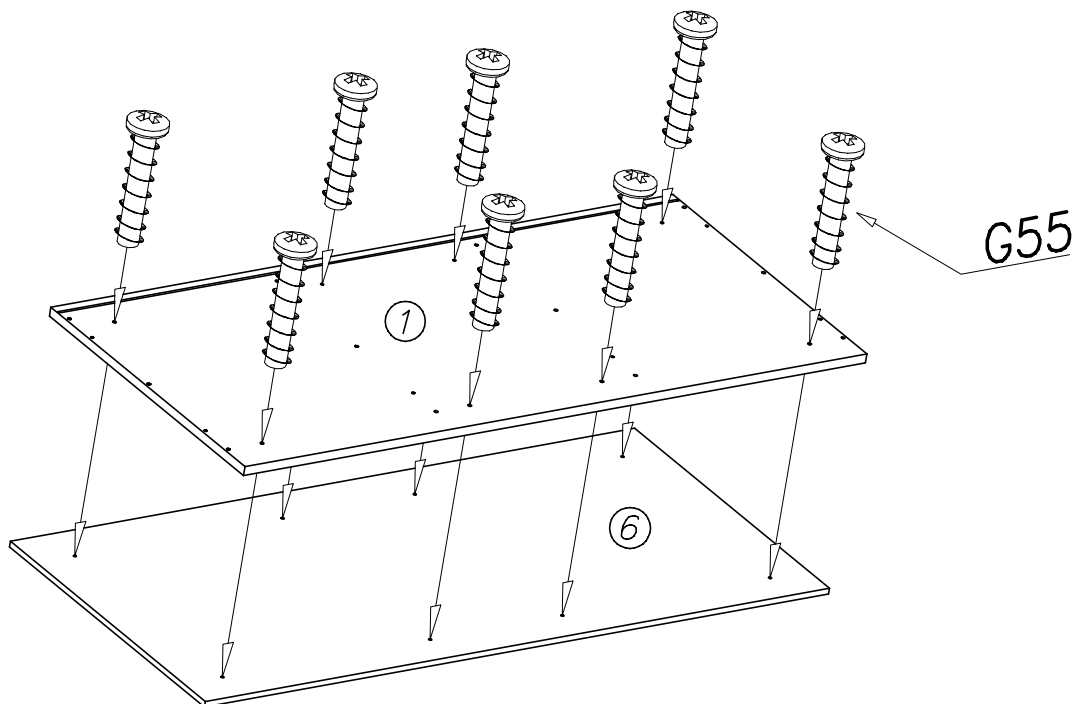
P



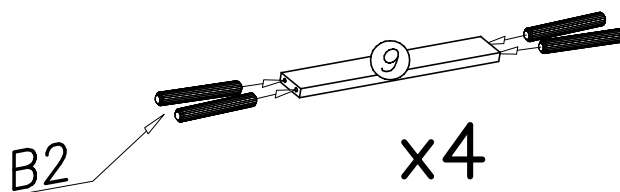
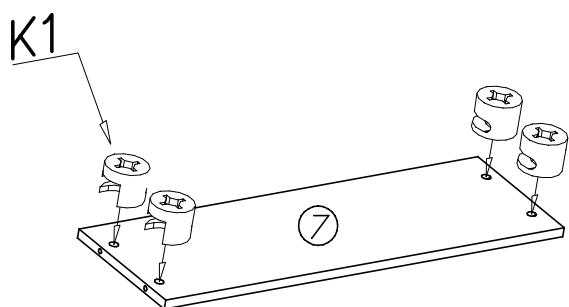
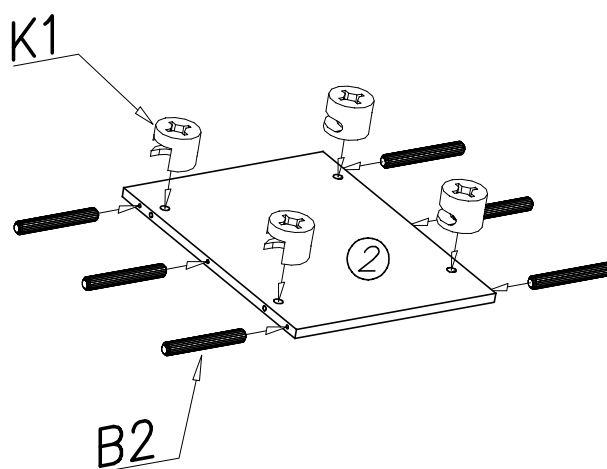
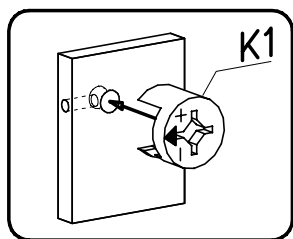
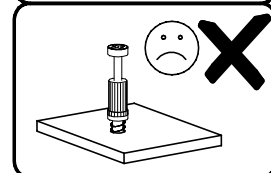
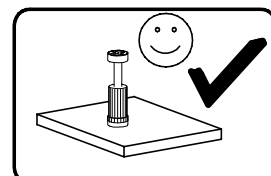
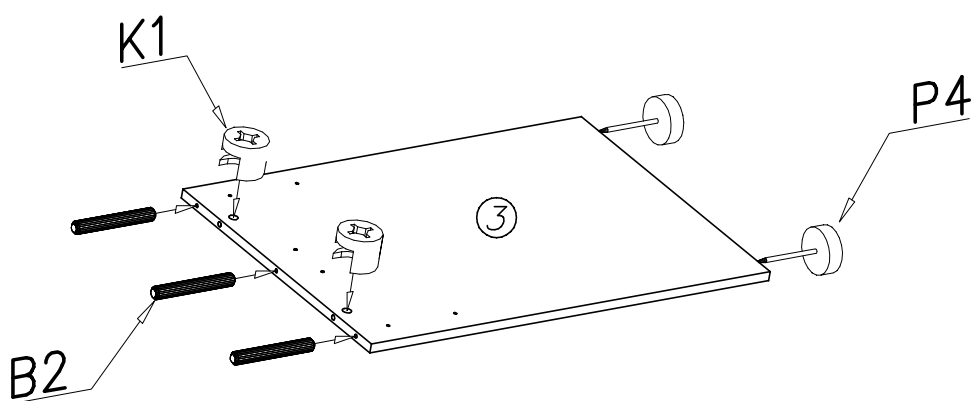


I27 18mm x..(2)	G58 6x32 x..(2)	A6 ø7x40 x...(20)	K4 ø12x10 x...(10)	G10 6x13 x...(18)
G34 3,5x16 x...(7)	I7 ø18 x...(18)	H23 H27-350mm x...(5)	M8 350mm x...(1)	
K1 ø15x12 x...(14)	G55 6x22 x...(8)		P4 x...(6)	G20 5x11 x...(20)
K10 x...(24)	I1 x...(5)	W2 x...(1)	I4 ø5 x...(5)	B2 ø6x35 x...(31)

I



II

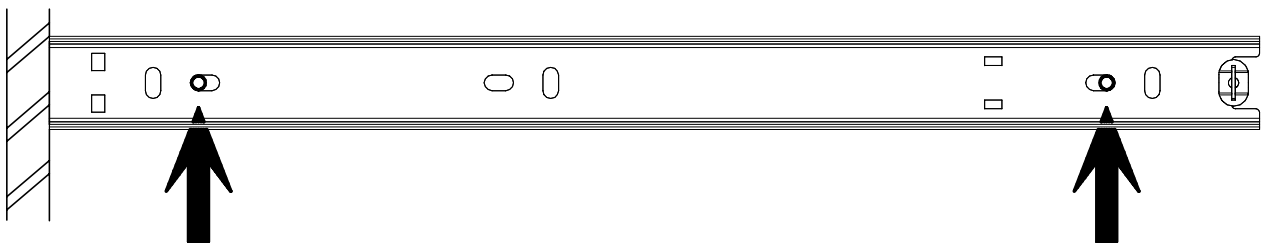
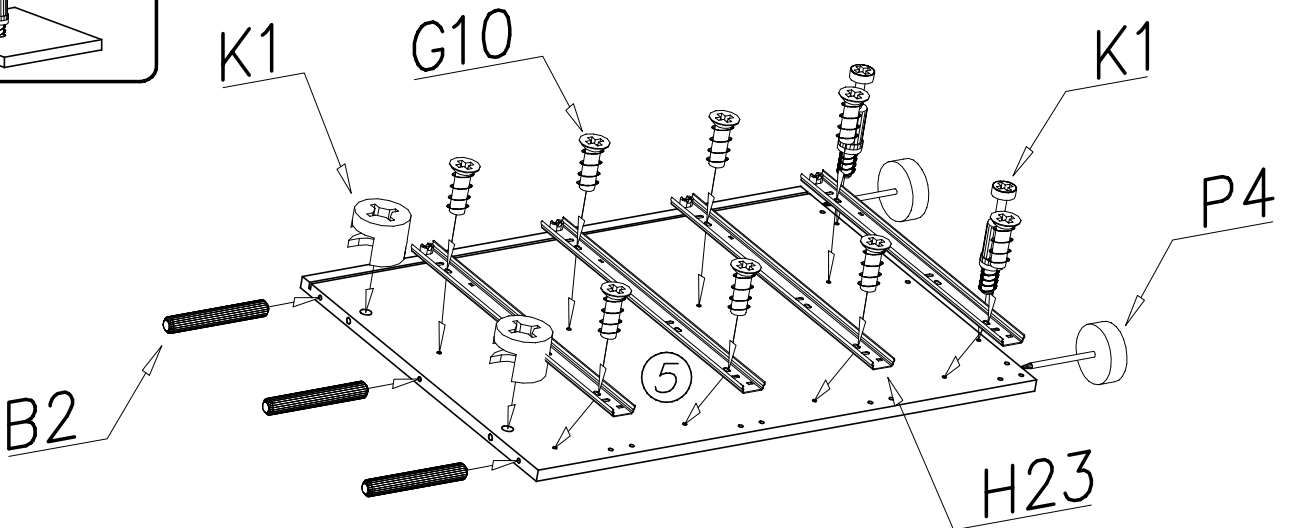
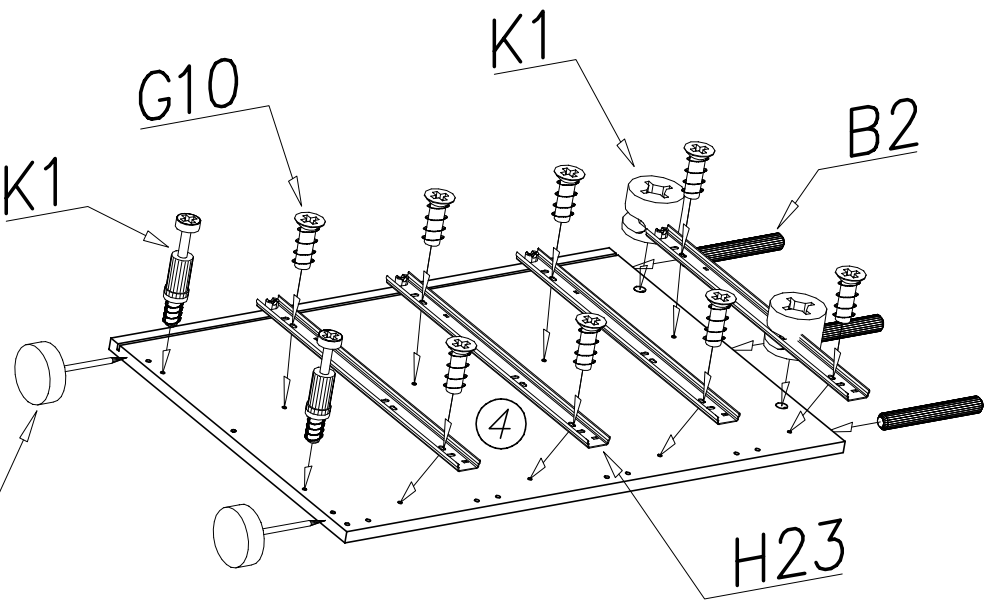
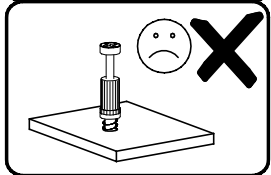
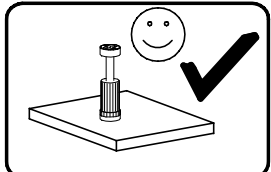
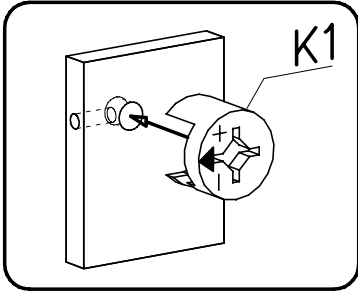


III

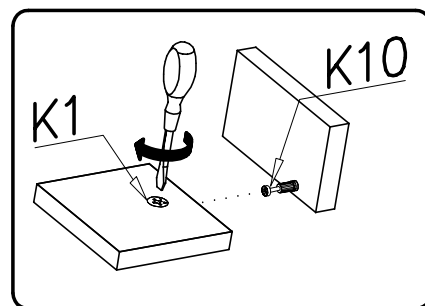
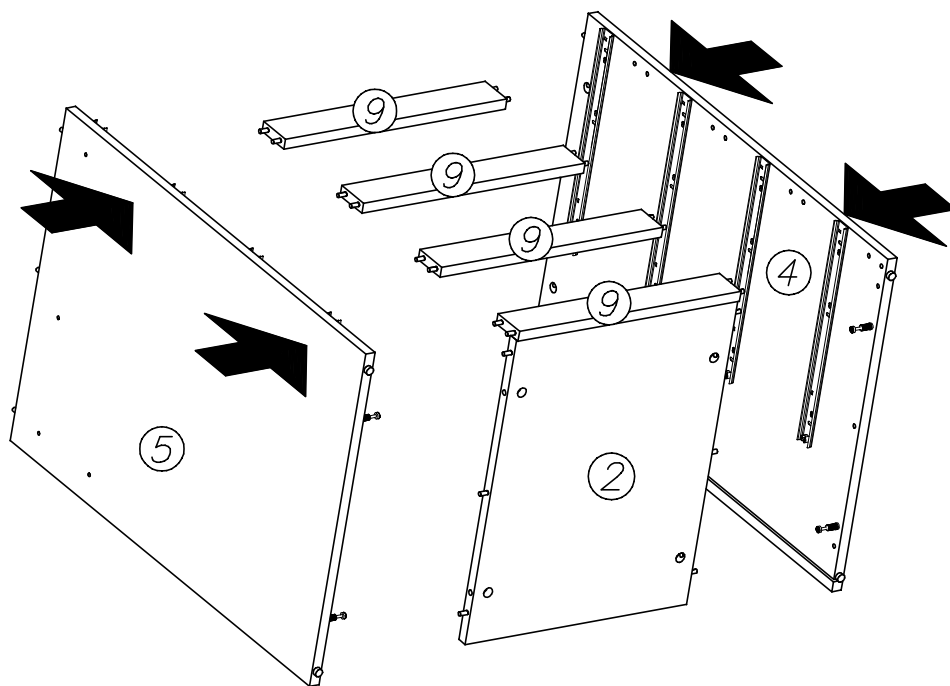
(A)

(B)

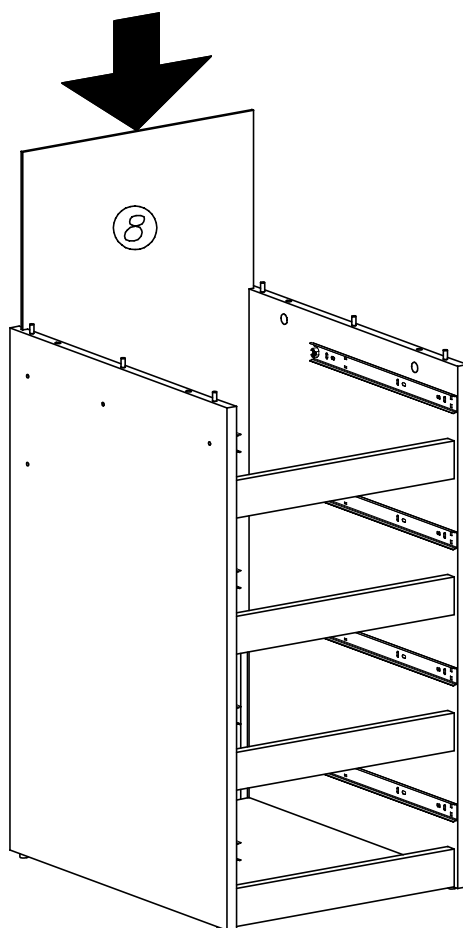
(C)

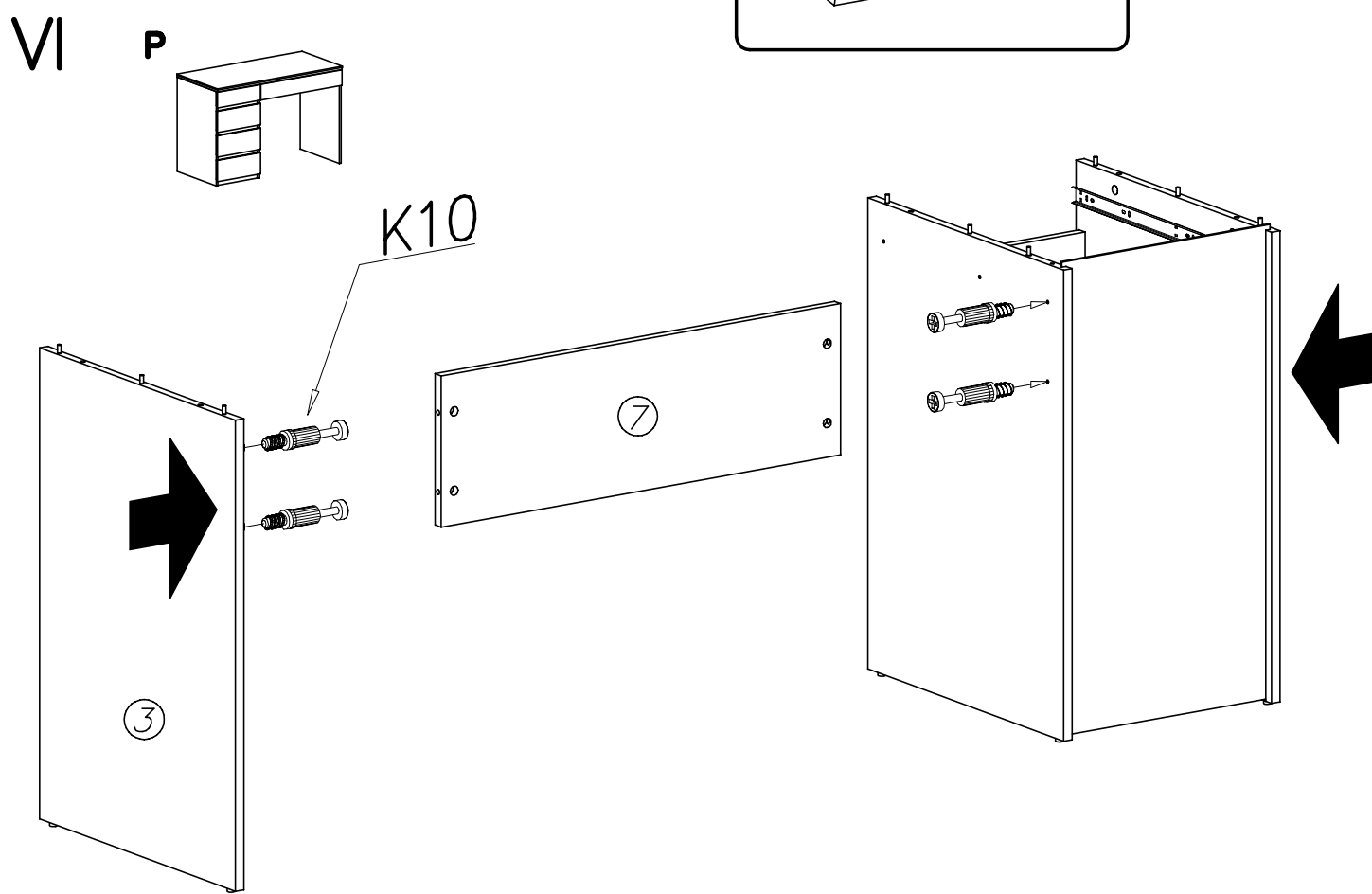
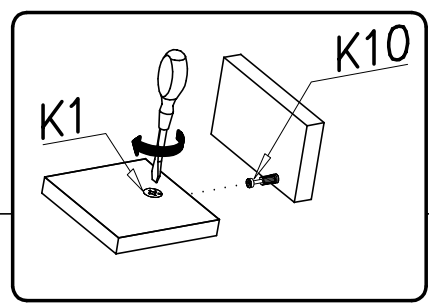
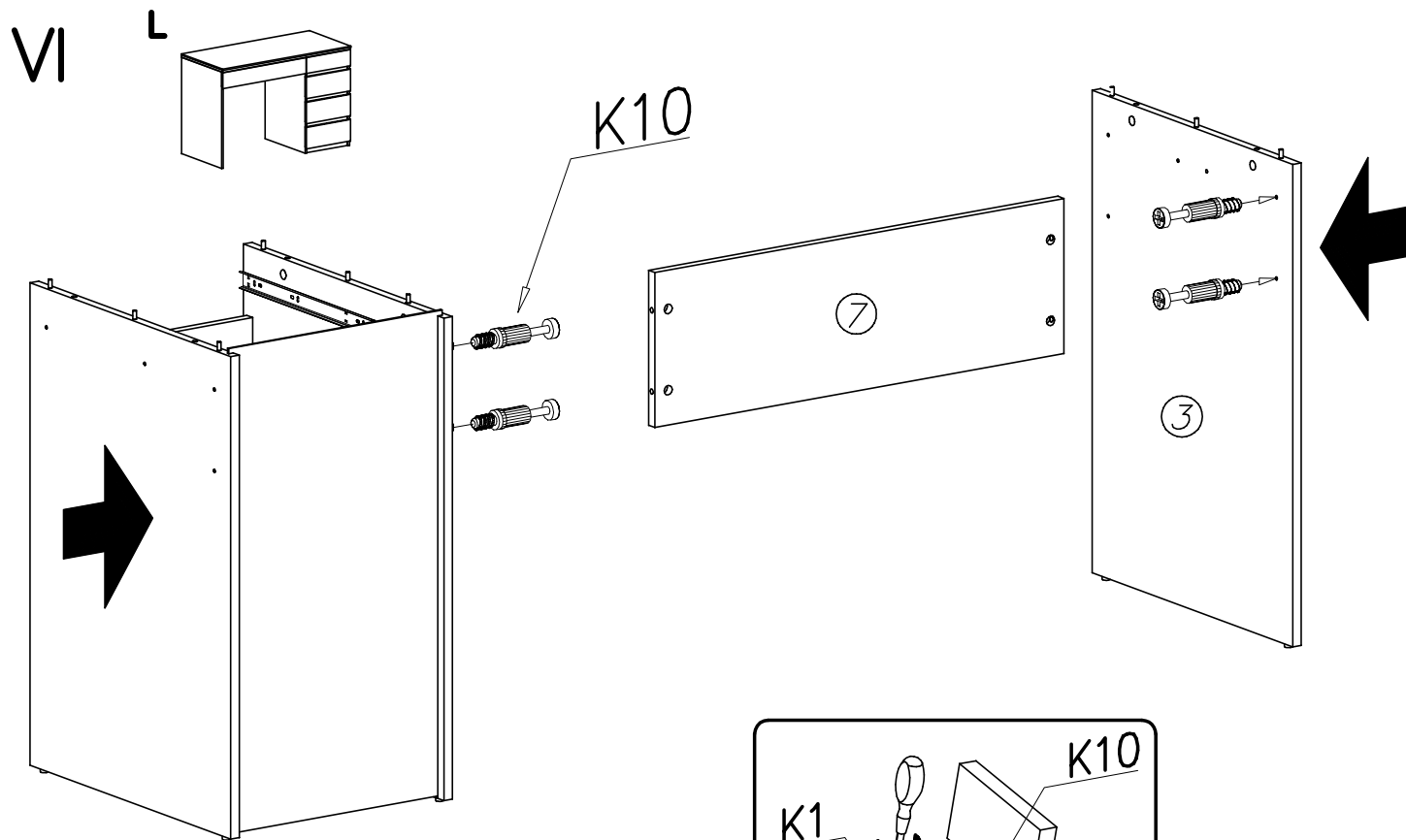


IV



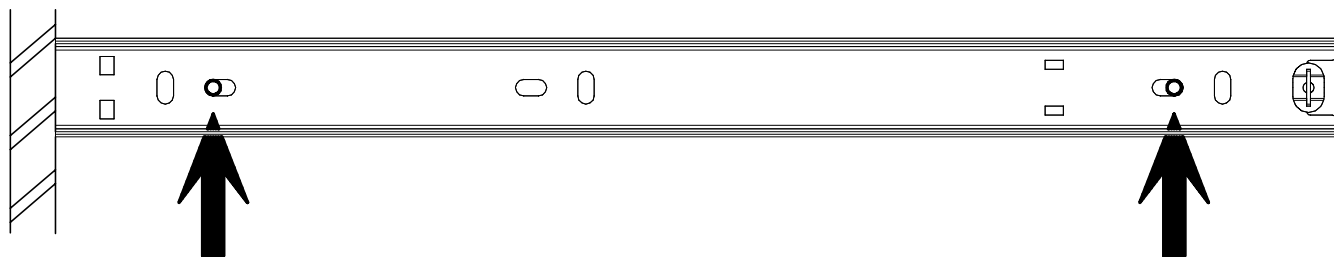
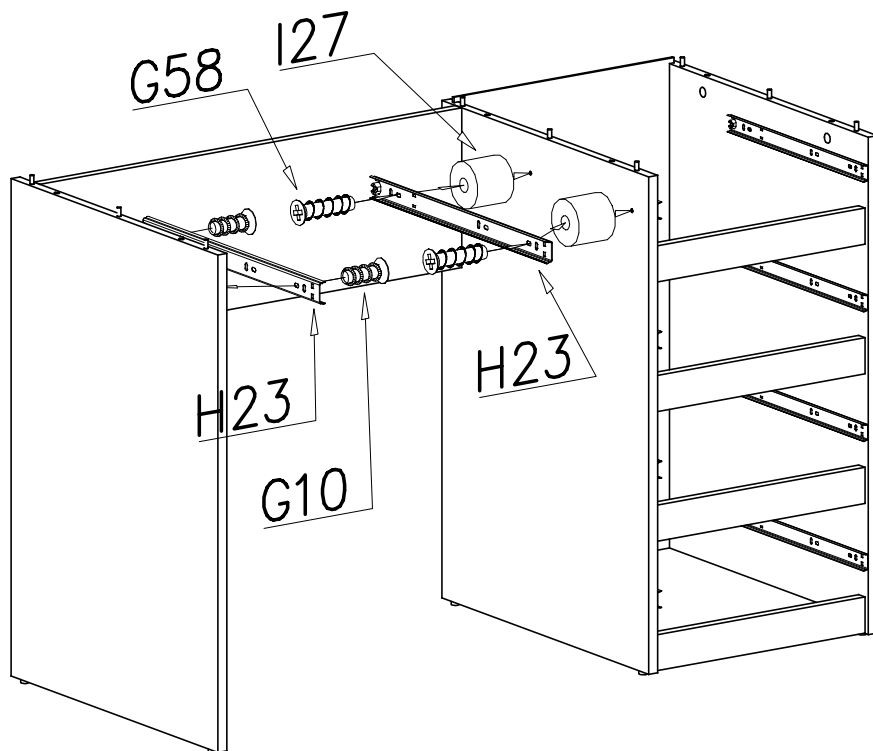
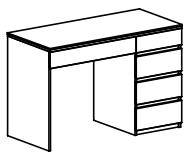
V





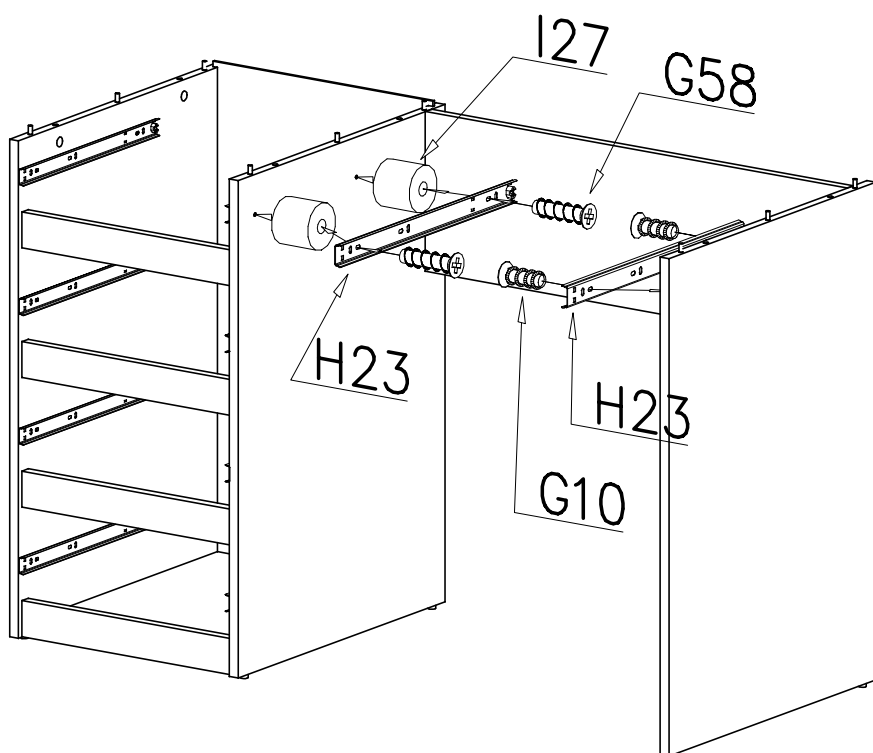
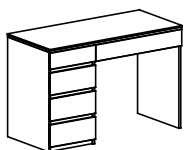
VII

L



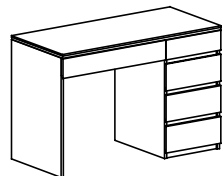
VII

P

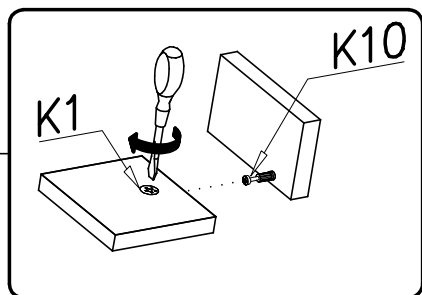
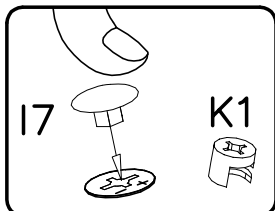
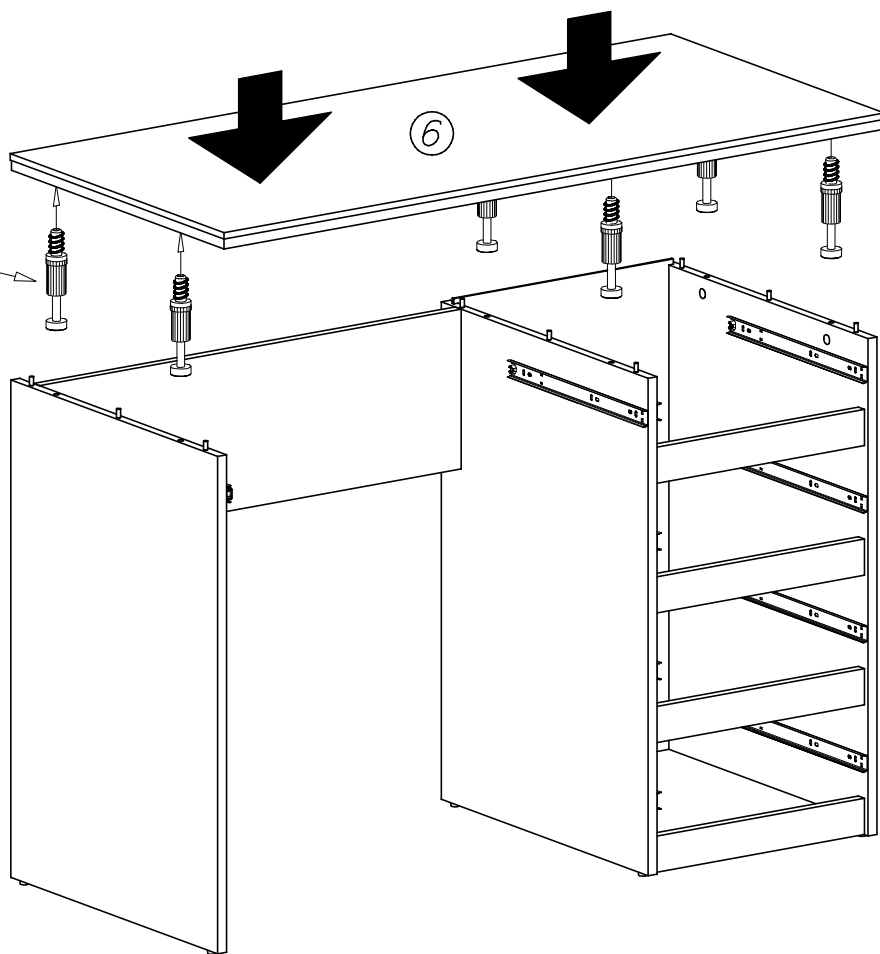


VIII

L

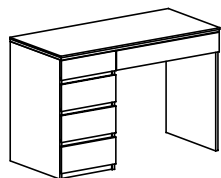


K10

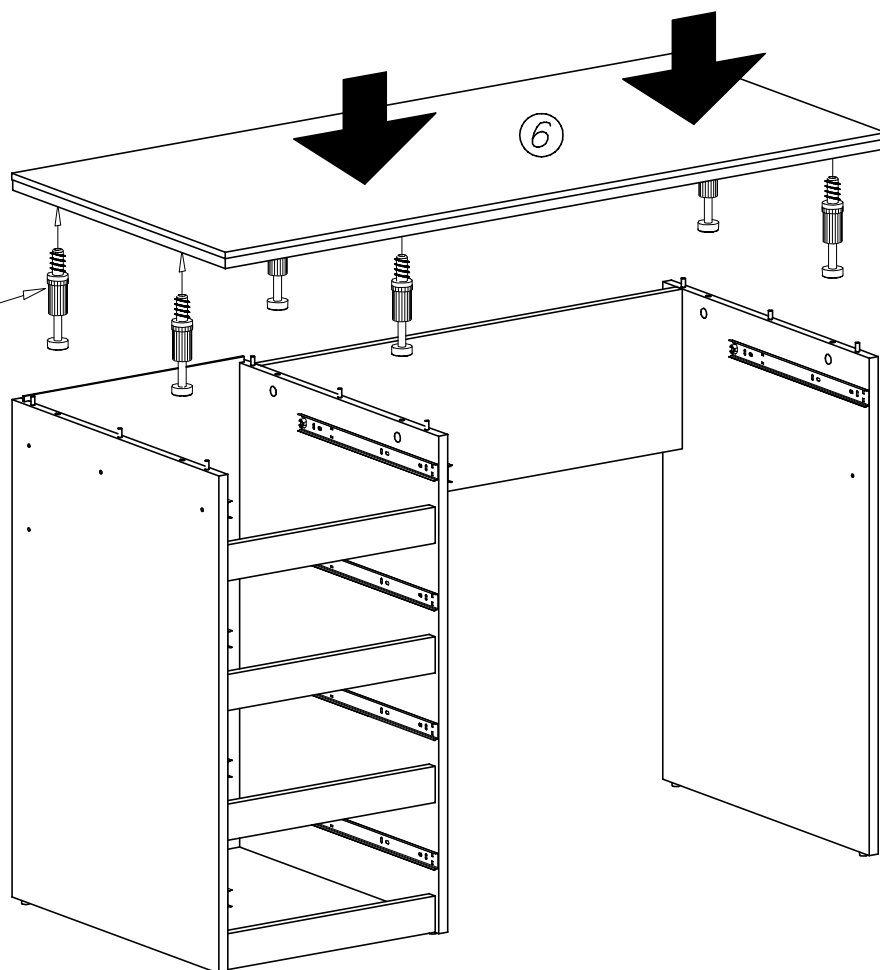


VIII

P

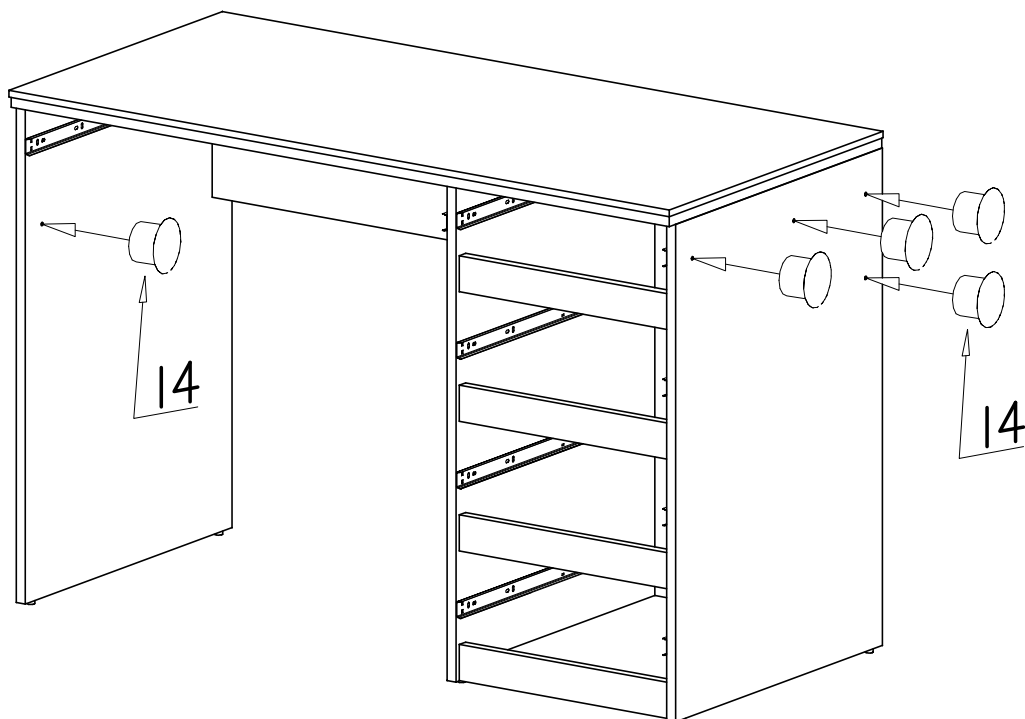
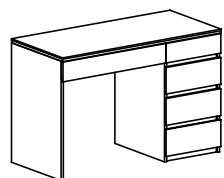


K10



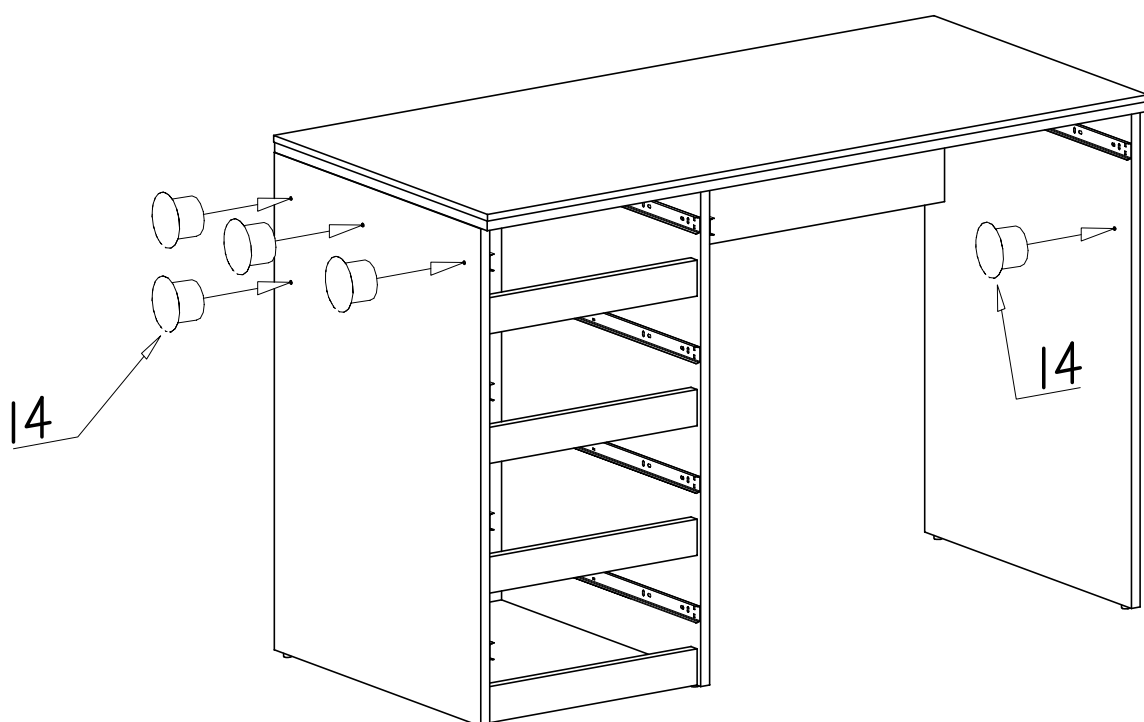
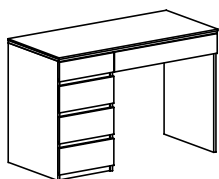
IX

L



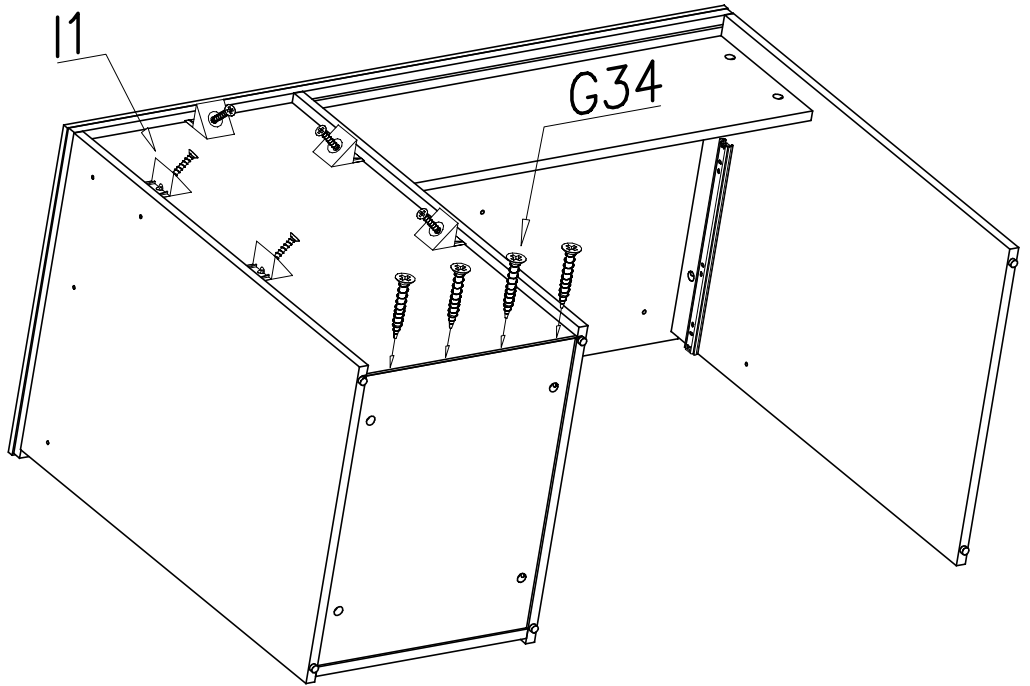
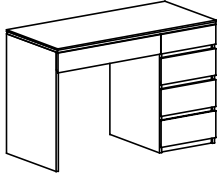
IX

P



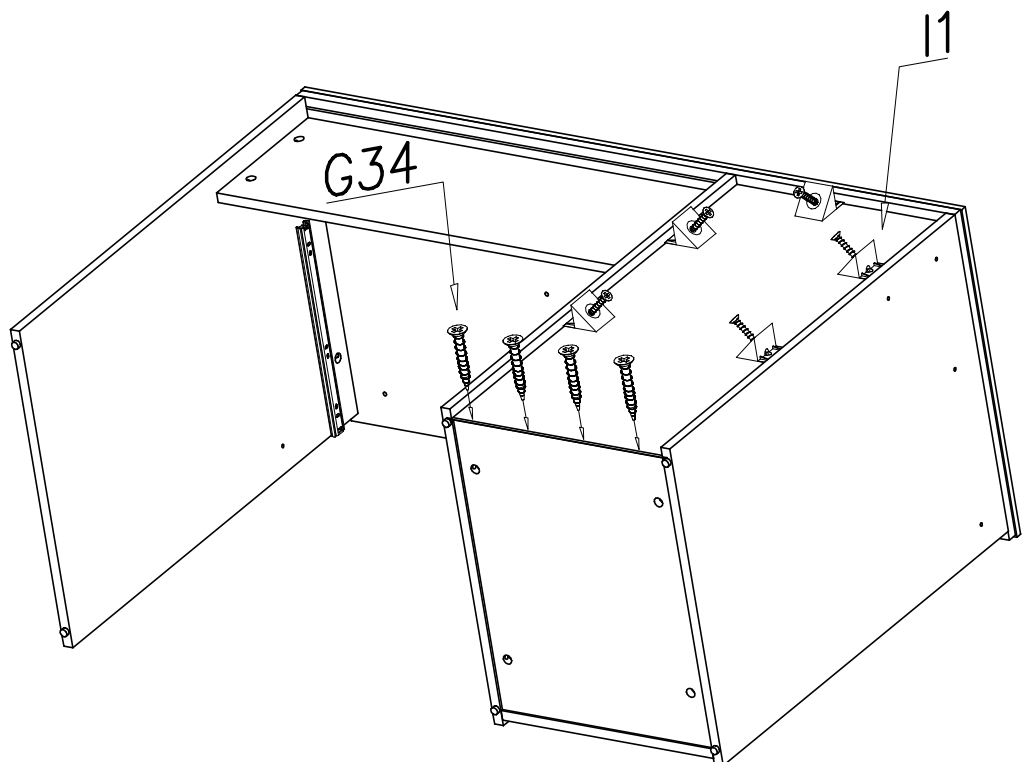
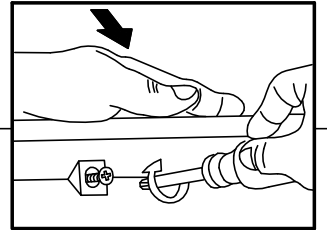
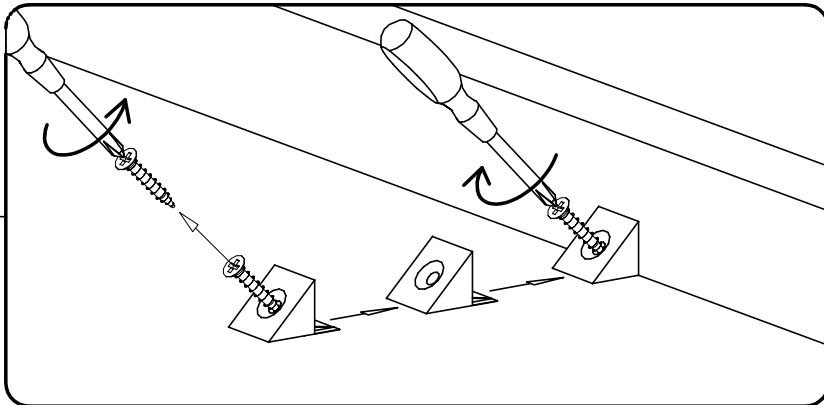
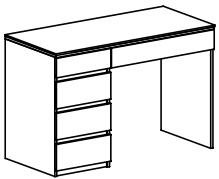
X

L

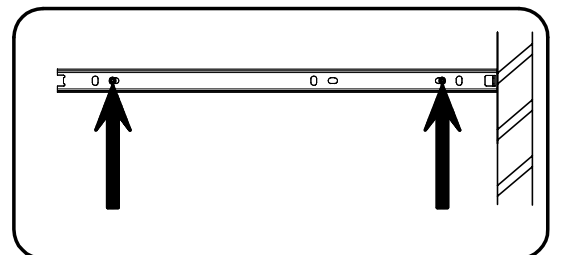
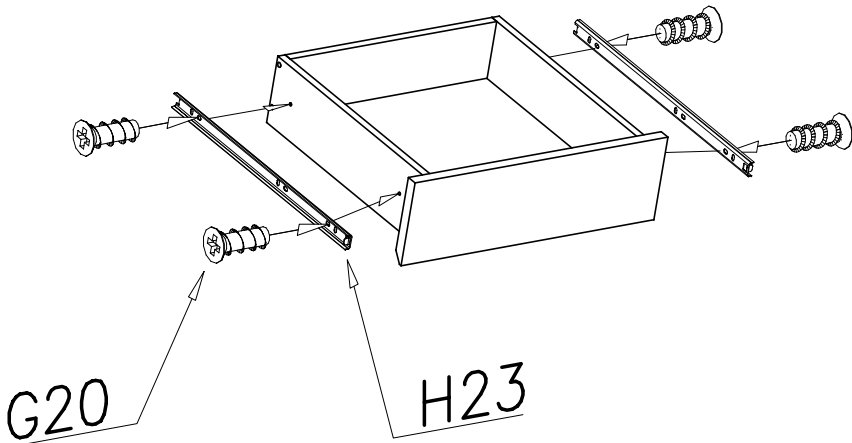
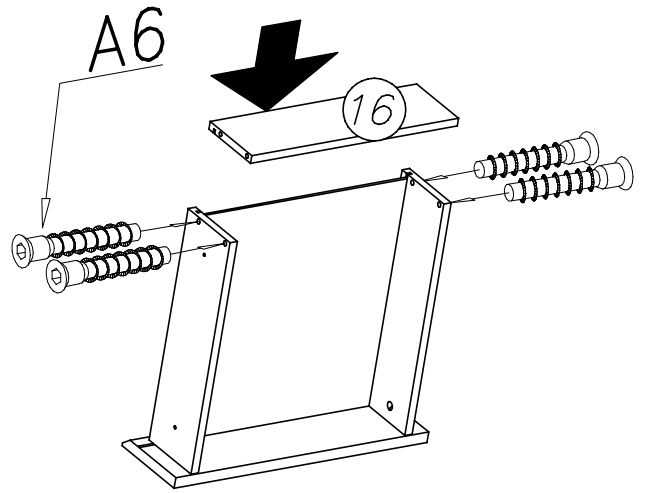
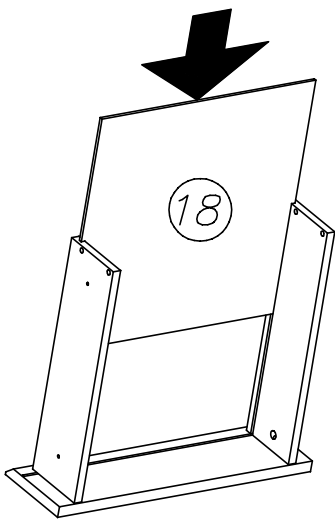
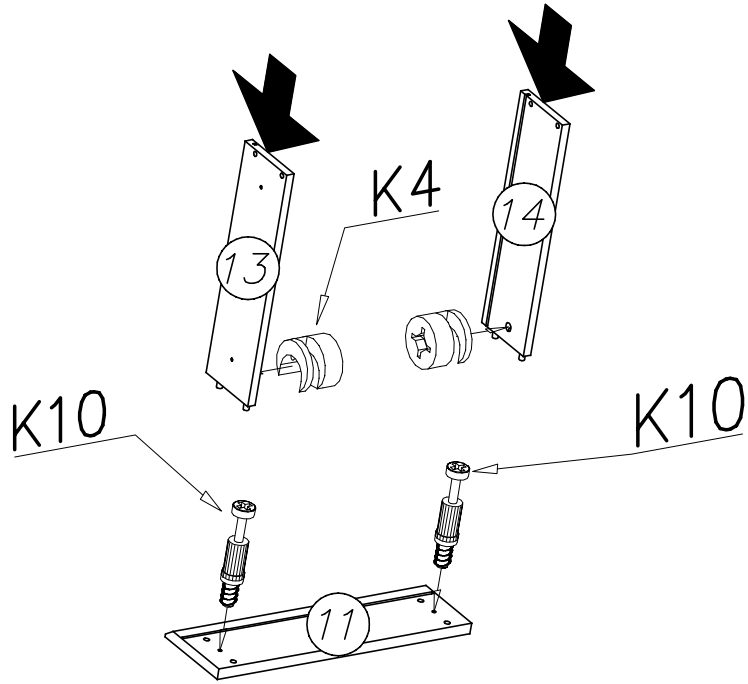


X

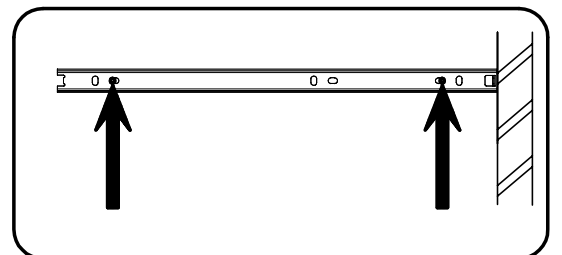
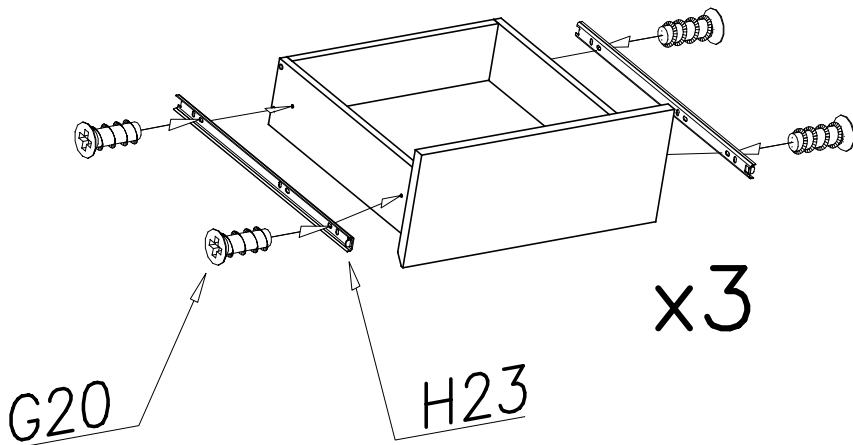
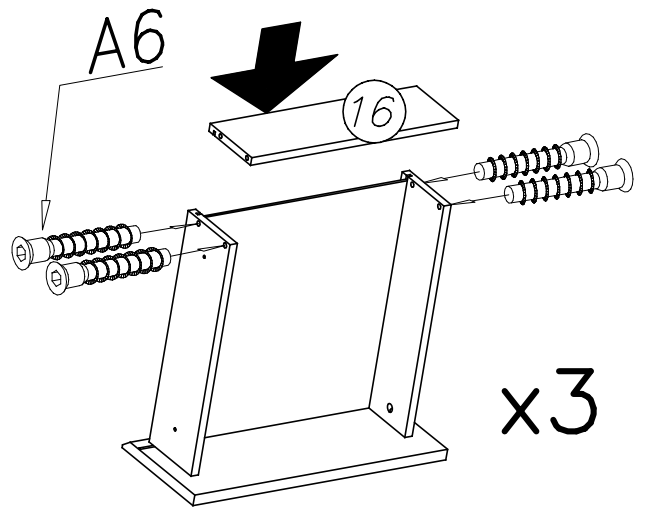
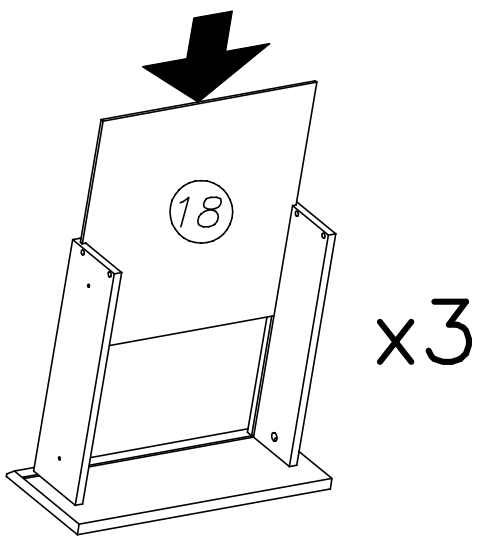
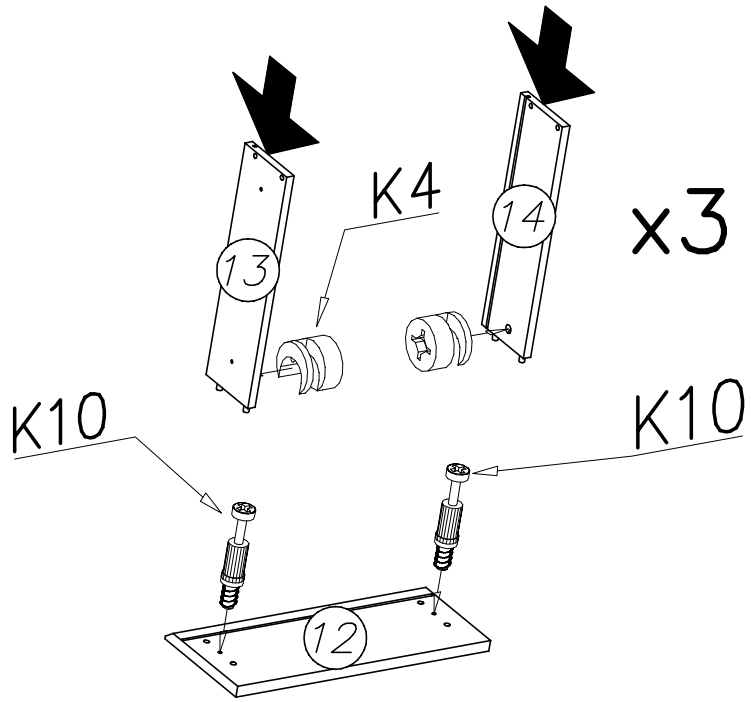
P



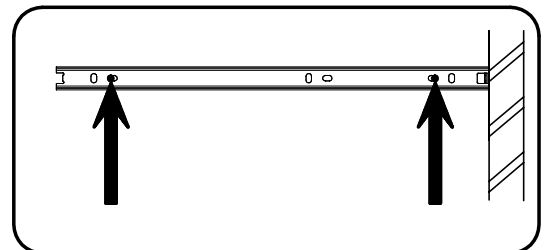
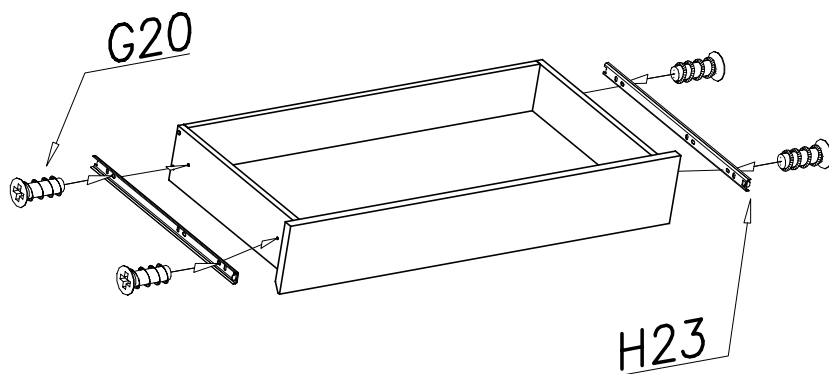
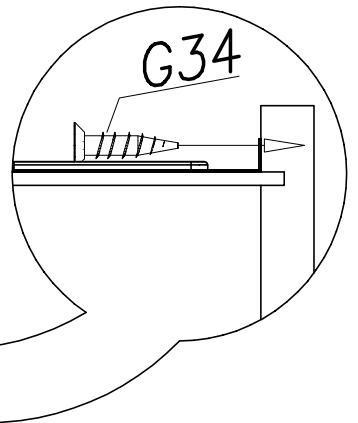
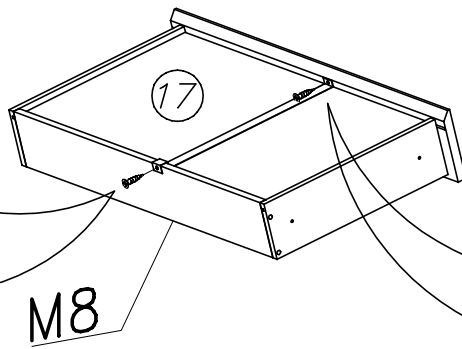
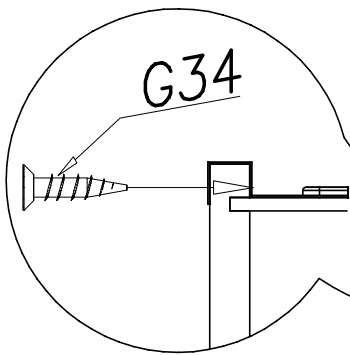
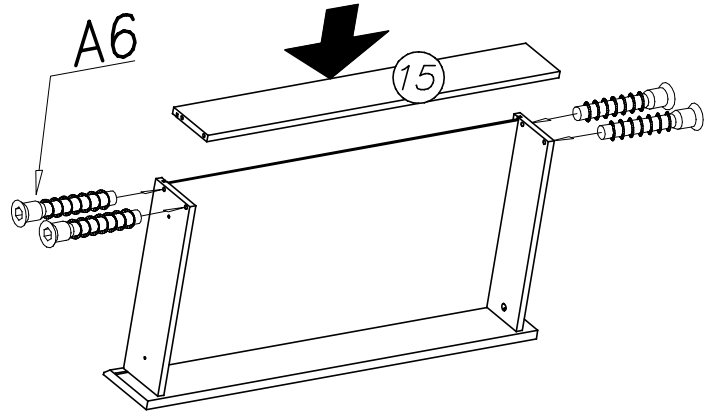
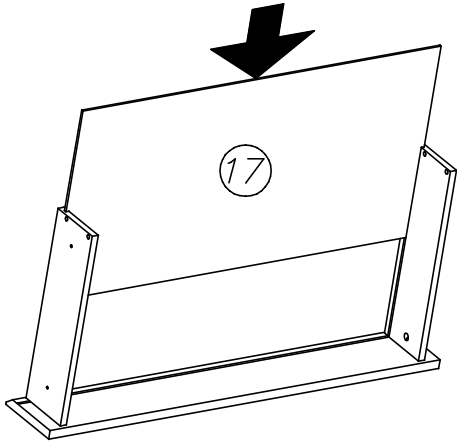
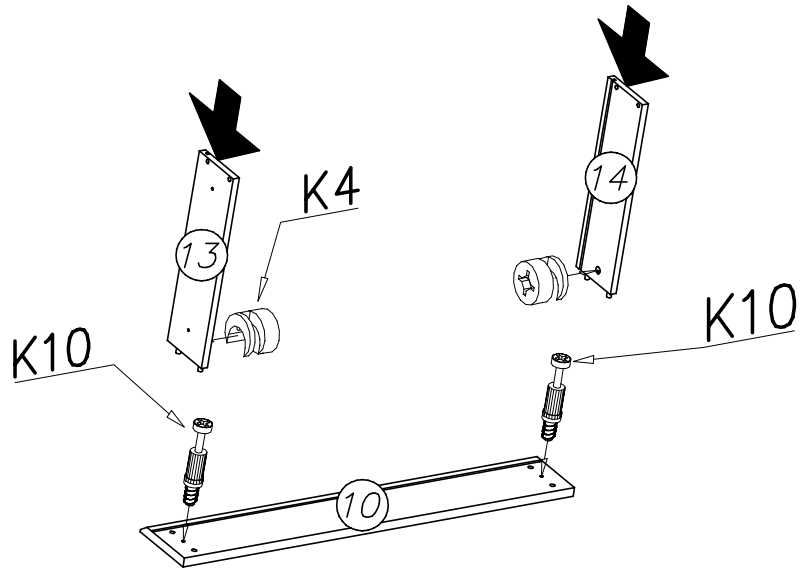
XI



XII

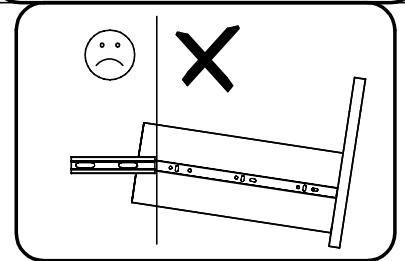
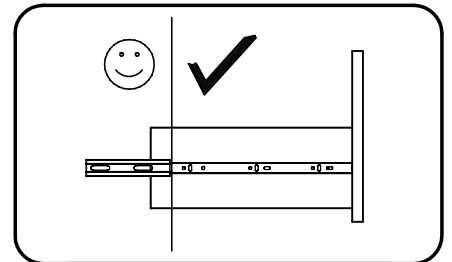
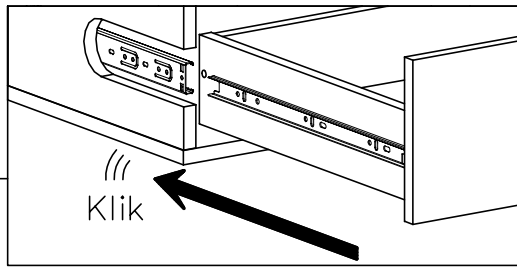
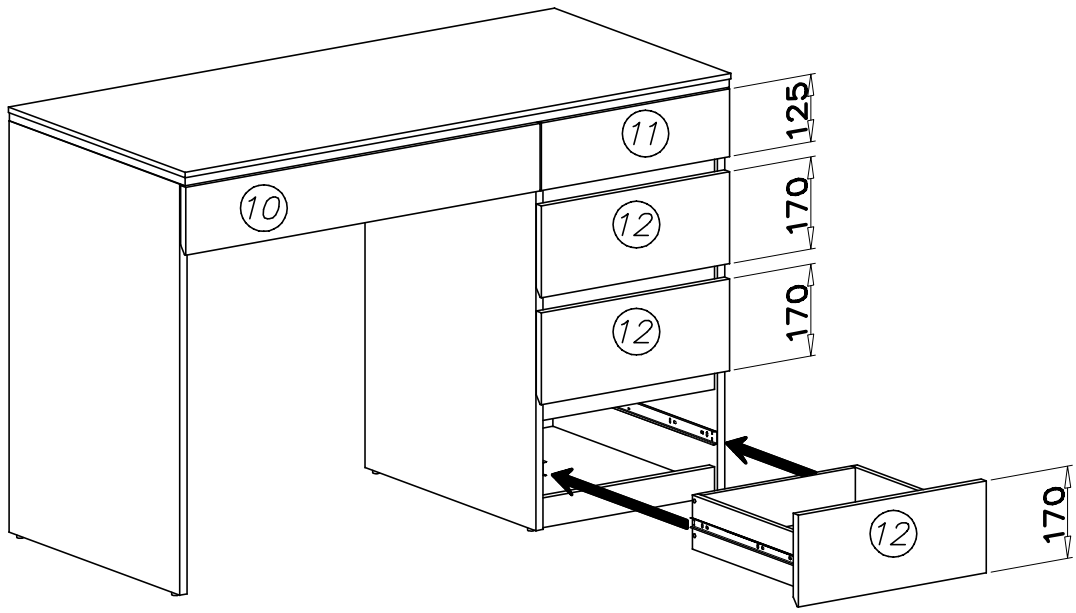


XIII



XIV

L



XIV

P

