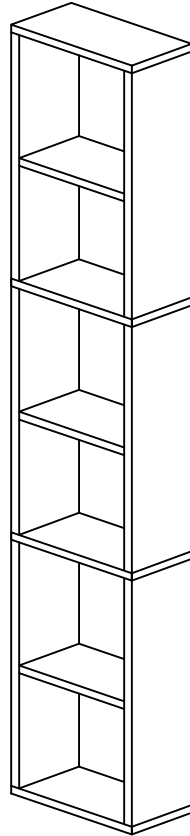


Instruction Manual

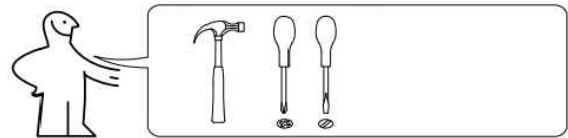


DEAR CUSTOMER,
Thank you for choosing our product. Please read this manual carefully before assembling. If the product is passed on to the third party, this manual has to be passed on along with the product. Enjoy your new purchase!





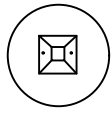
Assemble Item On a Clean Flat Surface

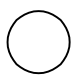




Tools Required For Assembly



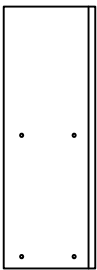

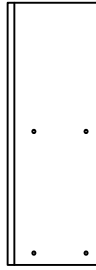

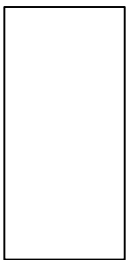

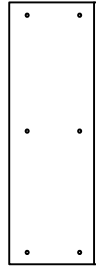
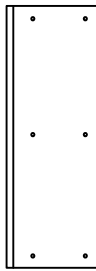
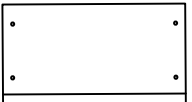
HARDWARE LIST

1		2		3		4		5	
	x28pcs		x28pcs		x8pcs		x1pc		x2pc

6  ×28pcs	7  ×9pcs	8  ×9pcs		
--	---	---	--	--

PARTS LIST



Note: there will be some error in the measurement, the actual size shall prevail.

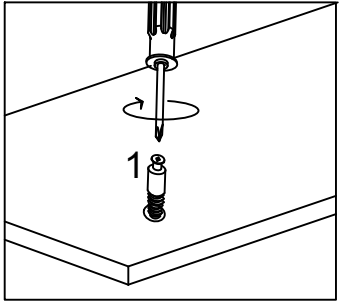
A  ×2pcs	B  ×3pcs	C  ×2pcs	D  ×1pc
E  ×3pcs	F  ×2pcs	G  ×1pc	H  ×1pc
I  ×1pc	J	K	L

NOTE

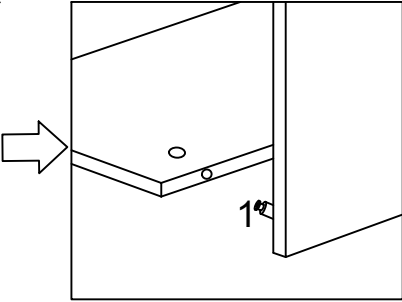
- Please check that you have all the parts and hardware listed before assembling.
- Please do not tighten all bolts until the table is assembled completely.
- If you find that something is missing, please contact the store you purchase immediately.
- At least every 4 months, check all bolts, screws and knobs to be sure they are tight.

Screws Installation Steps

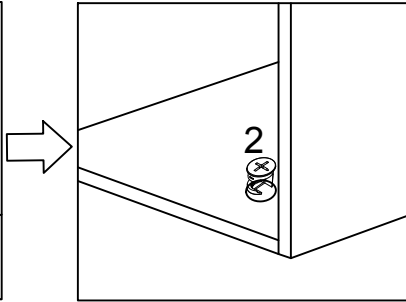
1  ×28pcs	2  ×28pcs
---	---



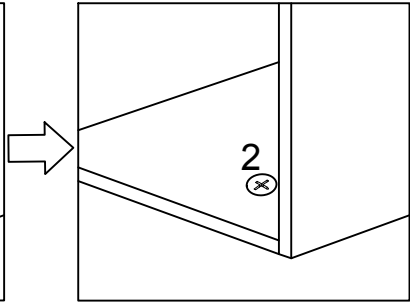
Screw the eccentric screw onto the board.



Find the corresponding board to insert.





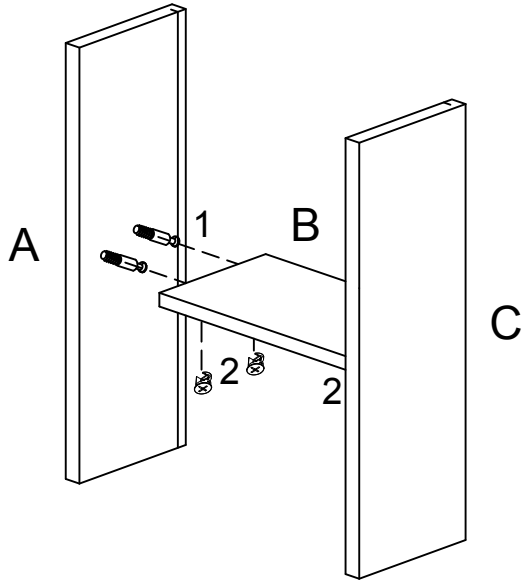
Insert eccentric bolt into round hole.



Turn clockwise about 180° to lock the board.



Step:1

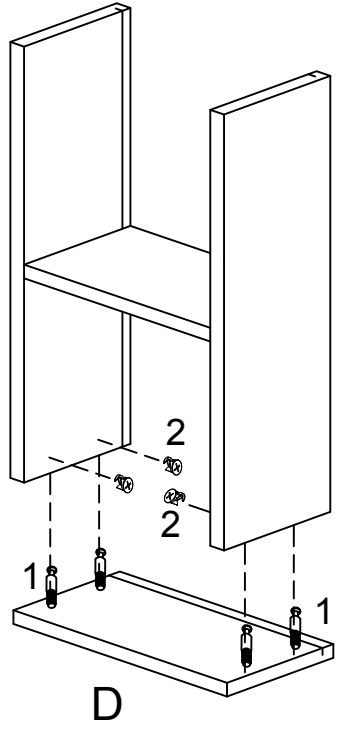
1  ×28pcs	2  ×28pcs
--	--



Install panel A,B and C through fitting 1 and 2 .

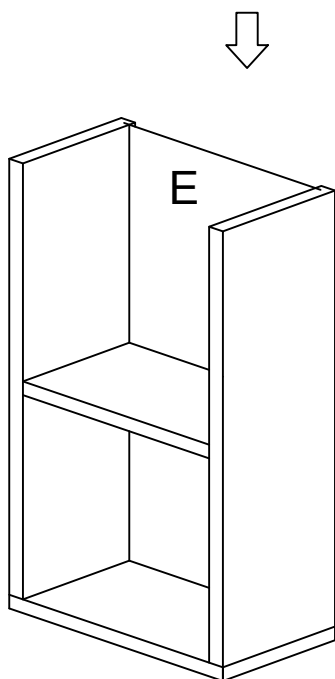
Step:2

1  ×28pcs	2  ×28pcs
--	--



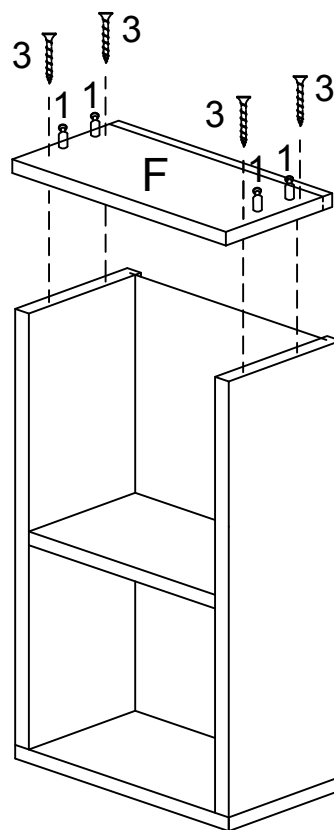
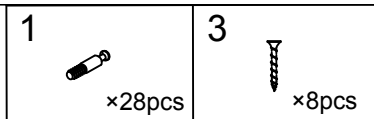
Install panel D through fitting 1 and 2 .

Step:3



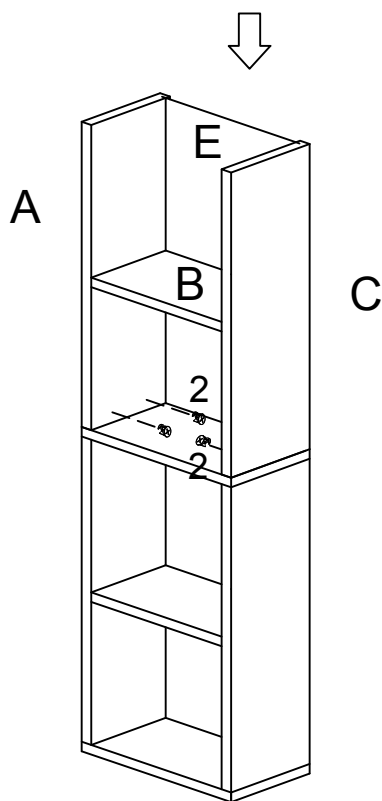
Install the back panel E.

Step:4



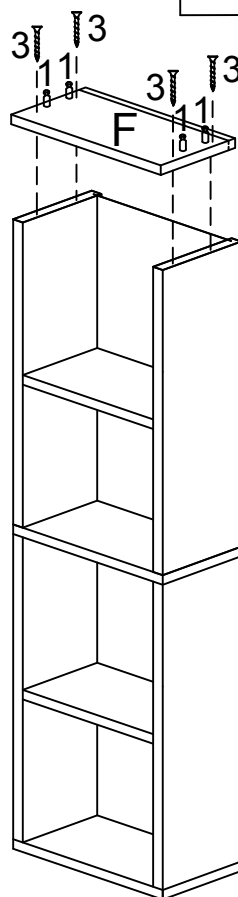
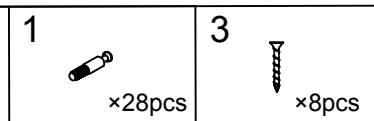
Install panel F through fitting 3 and 1 .

Step:5




Install the back panel E.

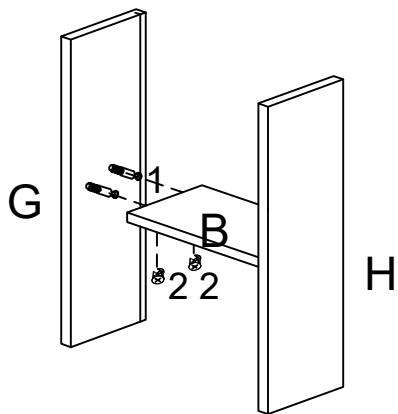
Step:6



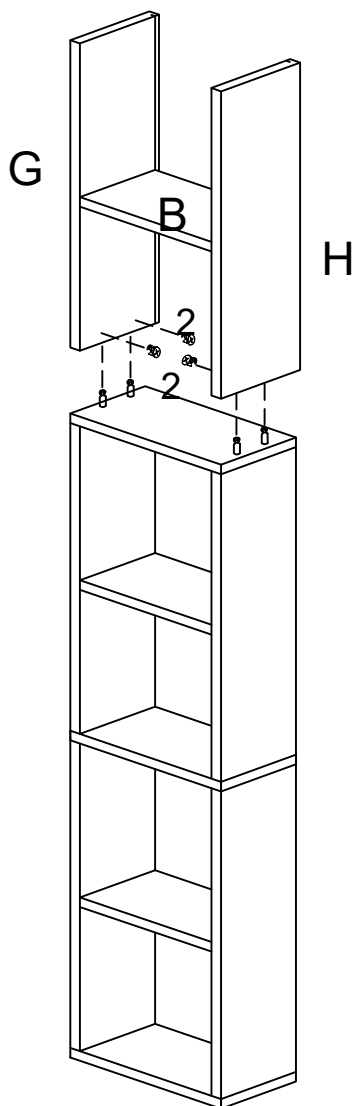
Install panel F through fitting 1 and 2 .

Step:7

- | | |
|---|---|
| 1  ×28pcs | 2  ×28pcs |
|---|---|

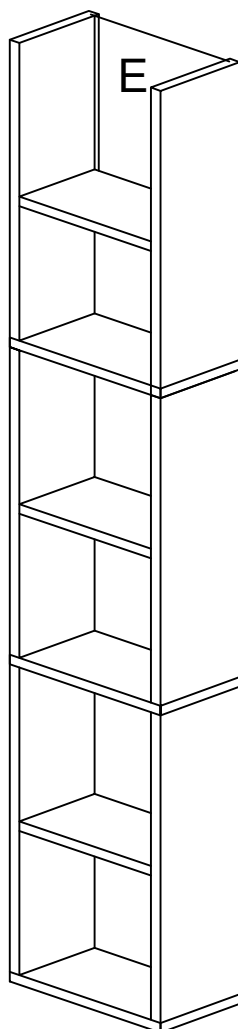


Install panel G,B and H through fitting 1 and 2 .





Connect panel F through fitting 2 .

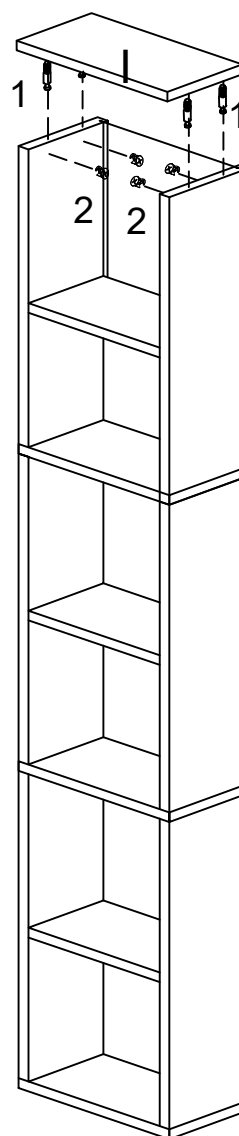
Step:8



Install the back panel E.

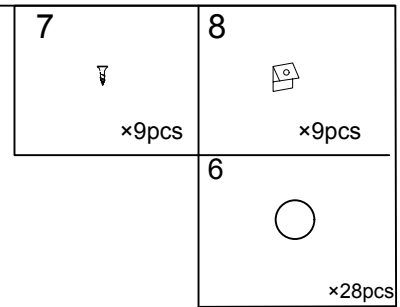
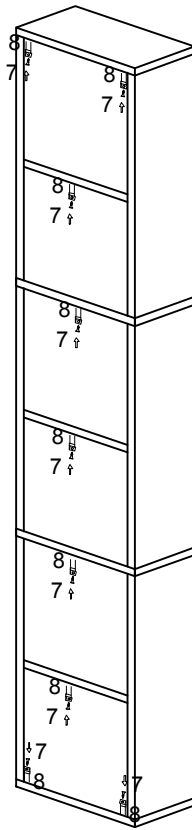
Step:9

- | | |
|---|---|
| 1  ×28pcs | 2  ×28pcs |
|---|---|



Install panel I through fitting 1 and 2 .

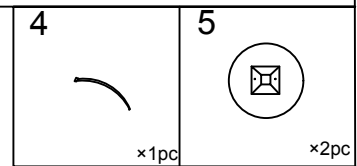
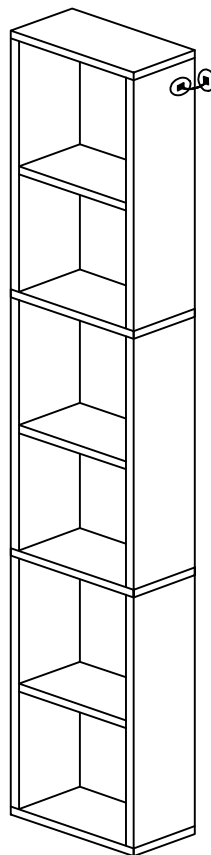
Step:10



The back is fitted with No. 7 and No. 8 fittings, and the front is pasted with No. 6 fittings

Step:11

Installation Complete !



Glue No. 5 accessories on the wall and one on the top of the cabinet, and use No. 4 accessories through No. 5 accessories to tighten and fix; The back of No.5 accessory can be uncovered for pasting.