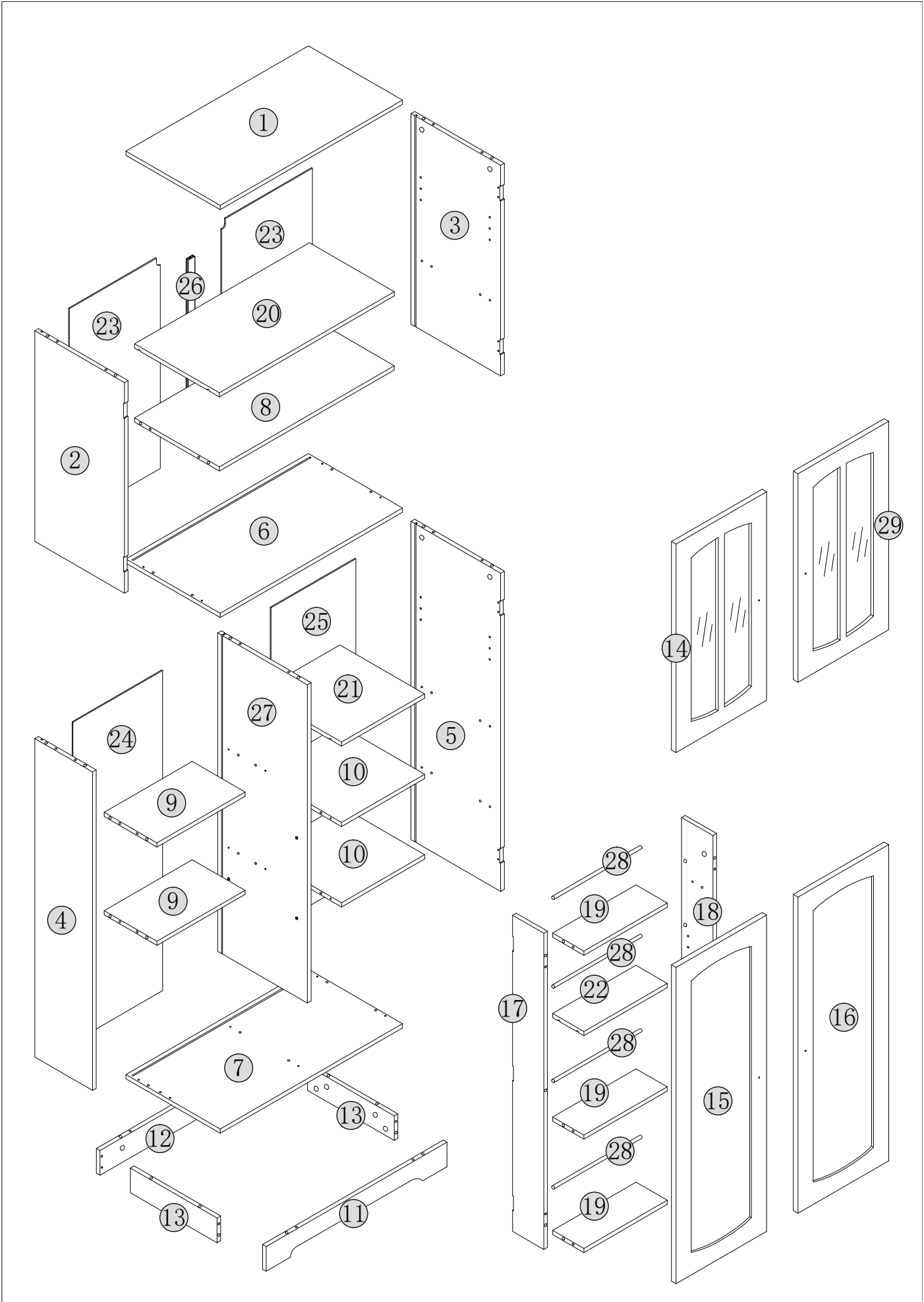
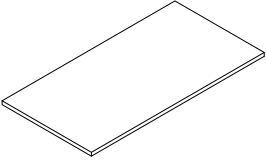
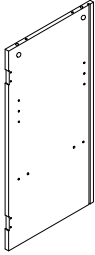
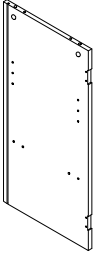

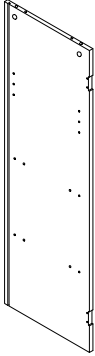
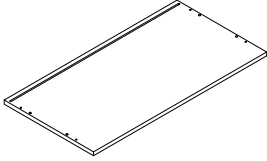
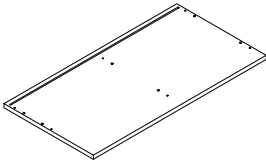
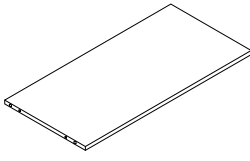
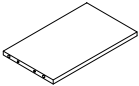
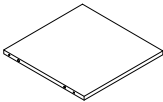
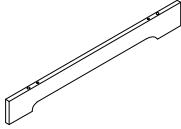
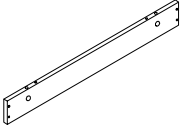
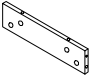
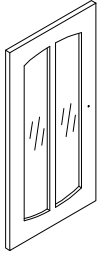



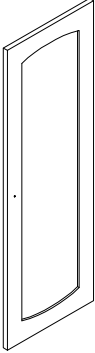


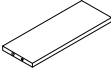
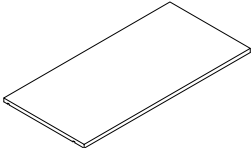
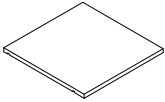





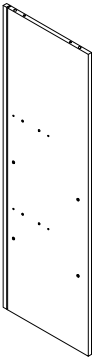
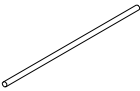
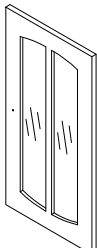
CAUTION:When tightening the screws , tighten sequentially. Do not tighten any screws fully and then towards the next one.when every part is OK, then tighten all the screws.



PLEASE BE CAREFUL DO NOT DAMAGE THE HOLE POSITION WHEN YOU USE POWER TOOLS !



<p>①</p>  <p>1PC</p>	<p>②</p>  <p>1PC</p>	<p>③</p>  <p>1PC</p>
<p>④</p>  <p>1PC</p>	<p>⑤</p>  <p>1PC</p>	<p>⑥</p>  <p>1PC</p>
<p>⑦</p>  <p>1PC</p>	<p>⑧</p>  <p>1PC</p>	<p>⑨</p>  <p>2PCS</p>
<p>⑩</p>  <p>2PCS</p>	<p>⑪</p>  <p>1PC</p>	<p>⑫</p>  <p>1PC</p>
<p>⑬</p>  <p>2PCS</p>	<p>⑭</p>  <p>1PC</p>	<p>⑮</p>  <p>1PC</p>

<p>①⑥</p>  <p>1PC</p>	<p>①⑦</p>  <p>1PC</p>	<p>①⑧</p>  <p>1PC</p>
<p>①⑨</p>  <p>3PCS</p>	<p>②⑩</p>  <p>1PC</p>	<p>②⑪</p>  <p>1PC</p>
<p>②⑫</p>  <p>1PC</p>	<p>②⑬</p>  <p>2PCS</p>	<p>②⑭</p>  <p>1PC</p>
<p>②⑮</p>  <p>1PC</p>	<p>②⑯</p>  <p>1PC</p>	<p>②⑰</p>  <p>1PC</p>
<p>②⑱</p>  <p>4PCS</p>	<p>③⑰</p>  <p>1PC</p>	

A×46



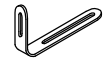
B×58



C×46



D×1



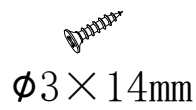
E×2



F×3



G×24



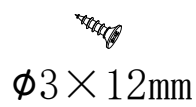
H×18



I×3



J×40



K×4



L×4



M×4



N×6



O×12



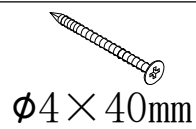
P×18



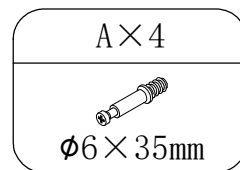
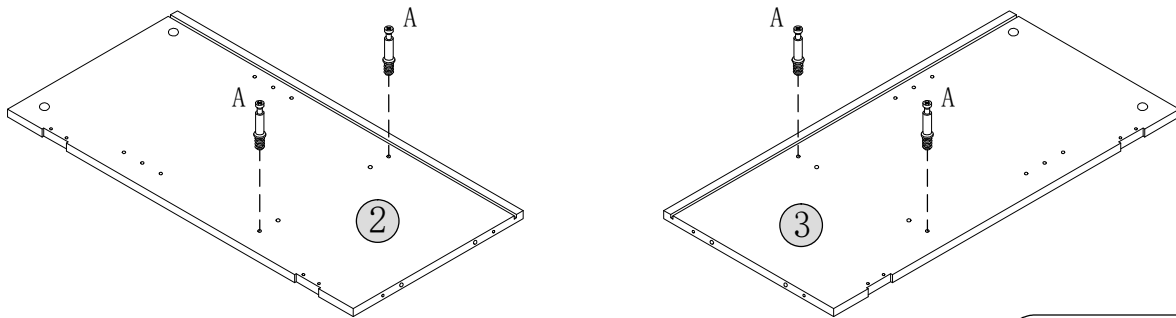
Q×1



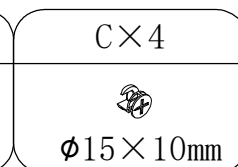
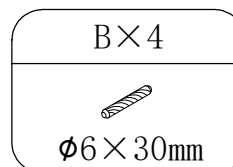
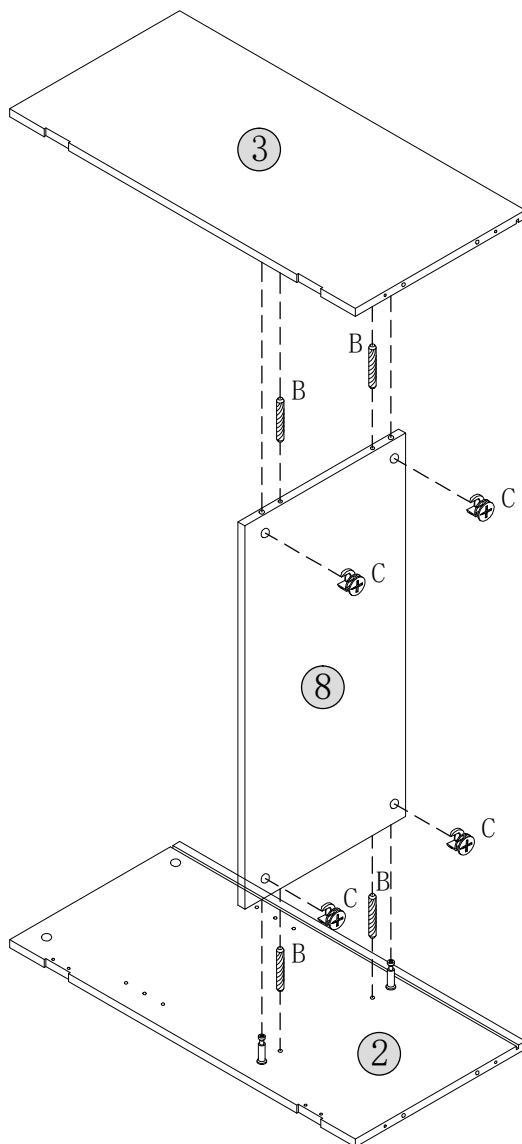
R×1



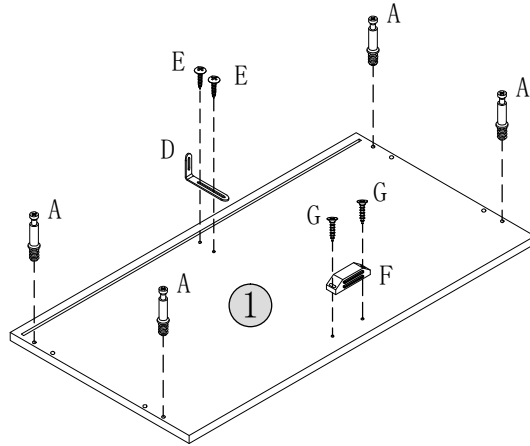
1








2

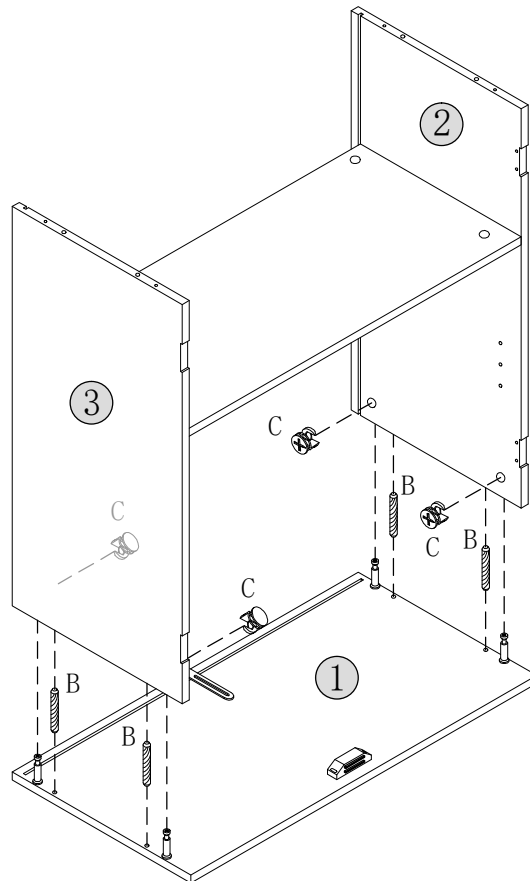




3



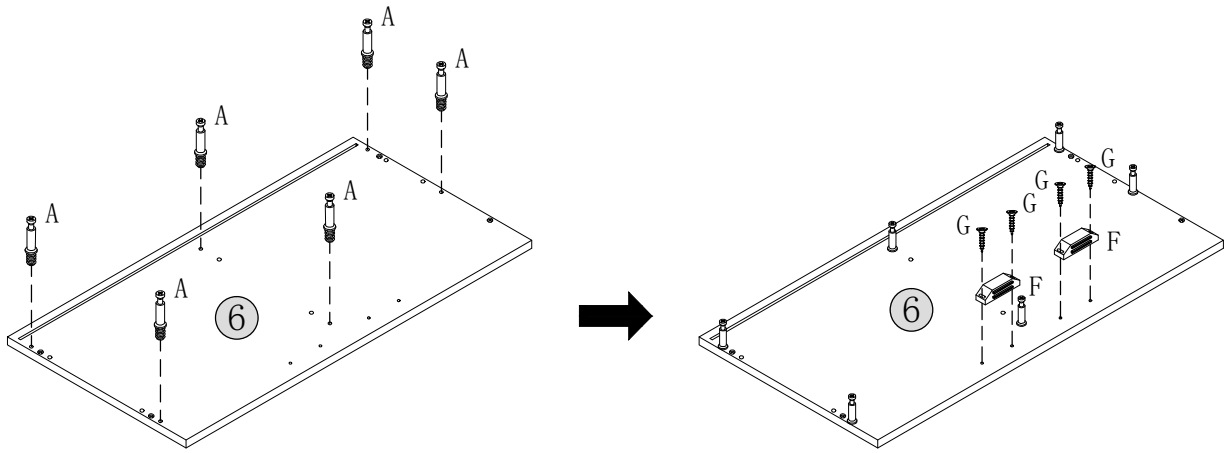
A × 4	D × 1	E × 2	F × 1	G × 2
 φ6 × 35mm		 φ4 × 12mm		 φ3 × 14mm




4



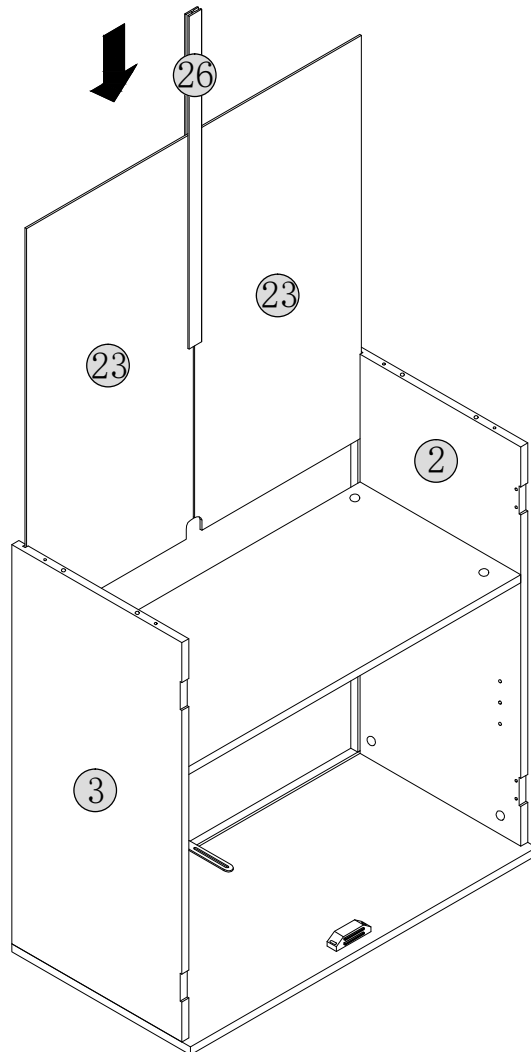
B × 4	C × 4
 φ6 × 30mm	 φ15 × 10mm

5

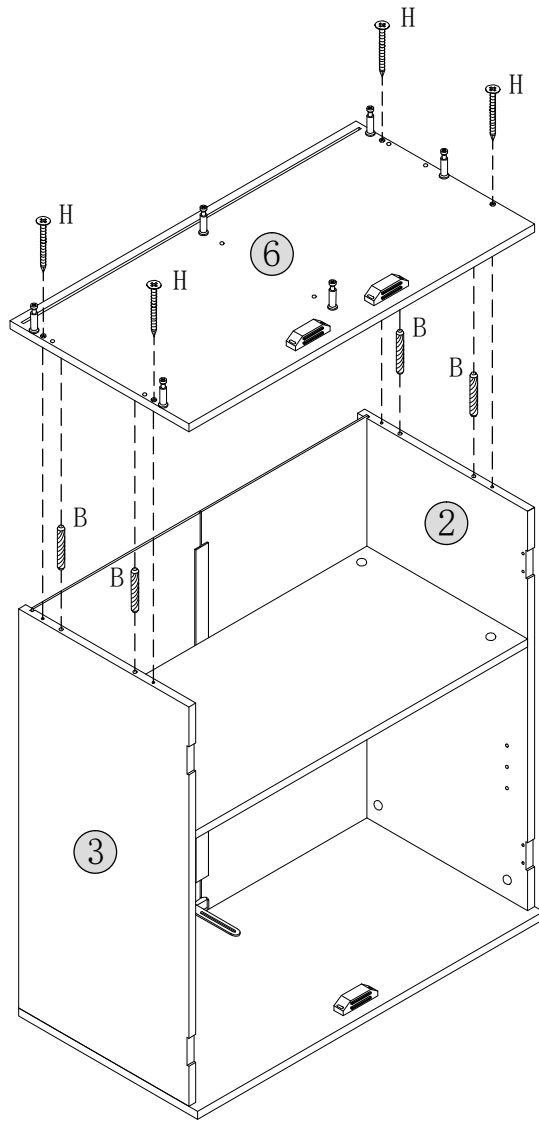




A × 6	F × 2	G × 4
		
Ø6 × 35mm		Ø3 × 14mm

6

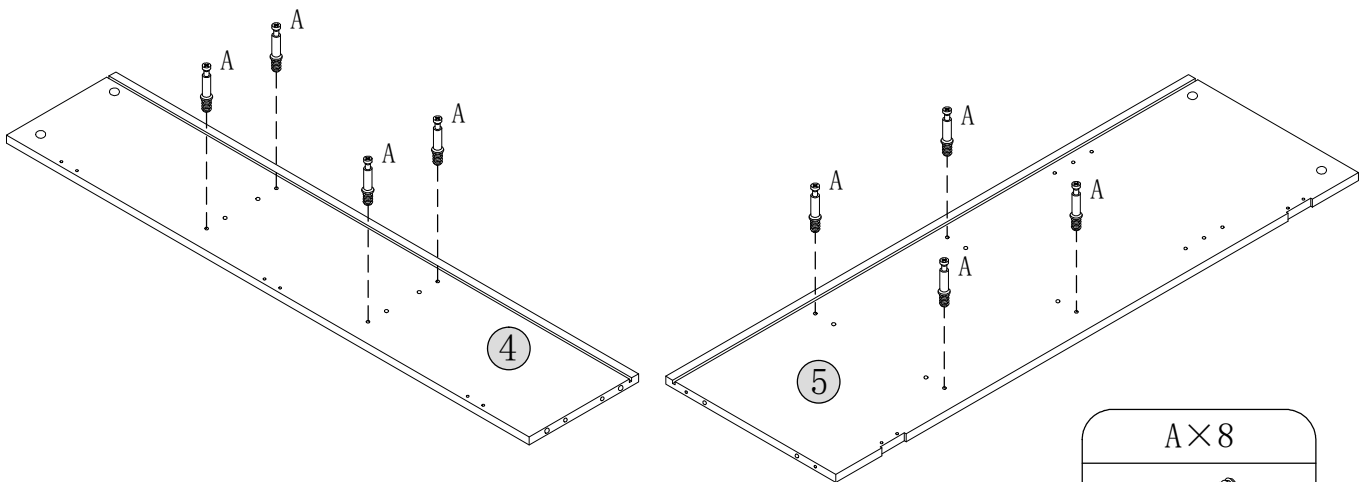



7



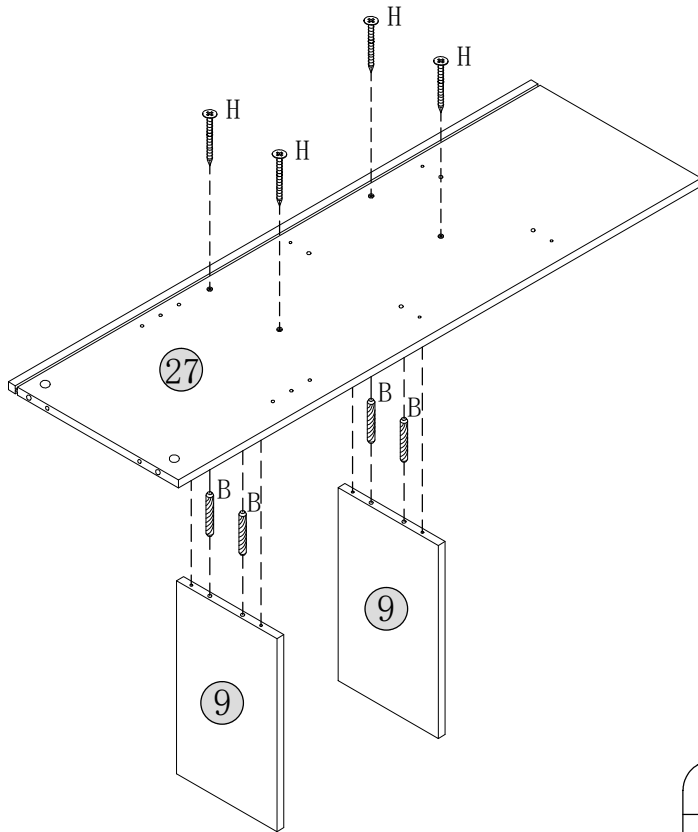
B × 4	H × 4
	
φ6 × 30mm	φ4 × 30mm



8



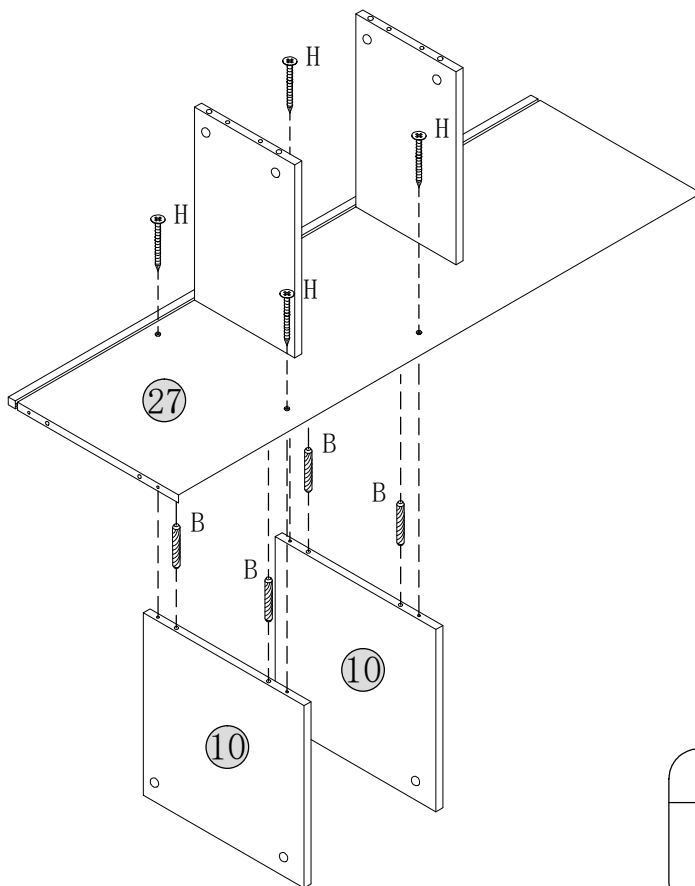
A × 8

φ6 × 35mm



9



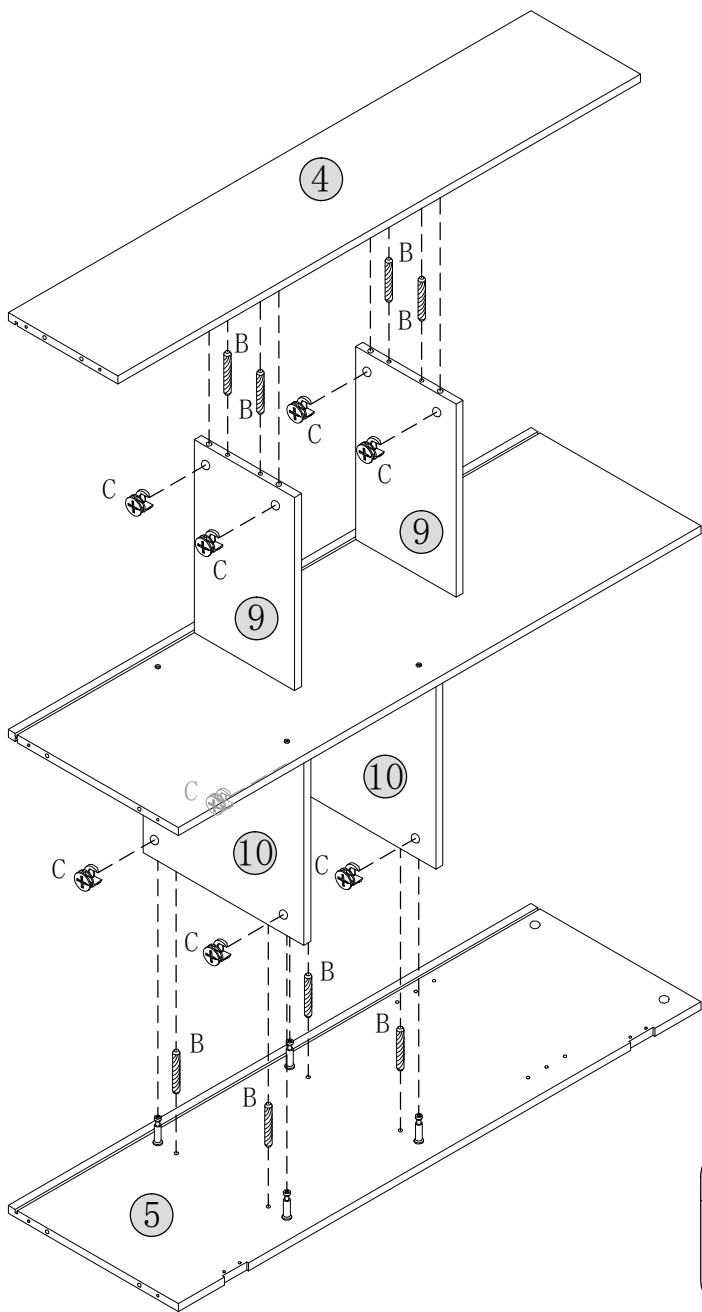
B×4	H×4
	
Ø6×30mm	Ø4×30mm



10



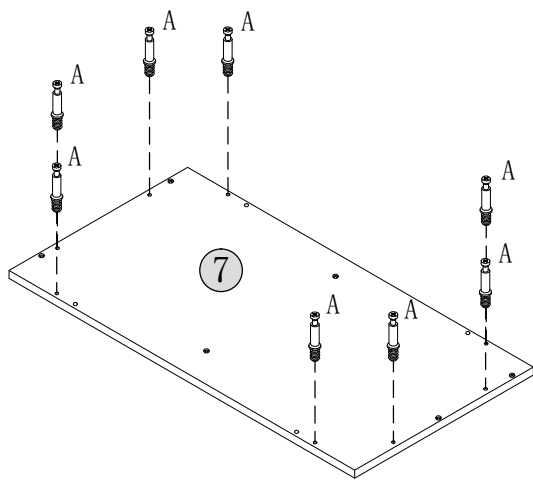
B×4	H×4
	
Ø6×30mm	Ø4×30mm


11



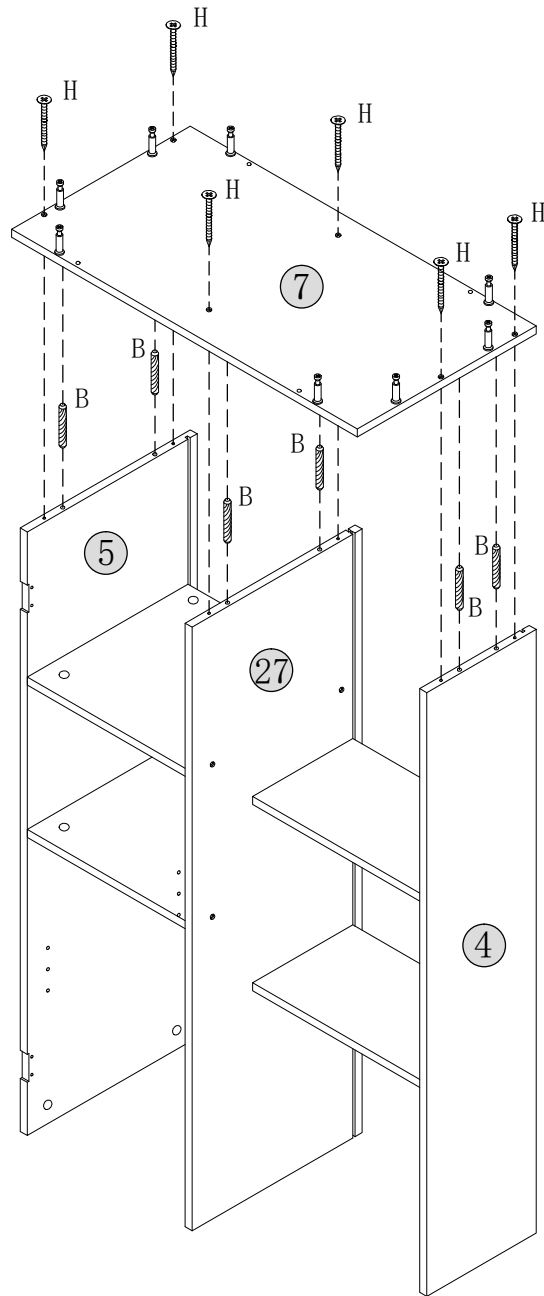
B×8	C×8
	
φ6×30mm	φ15×10mm



12



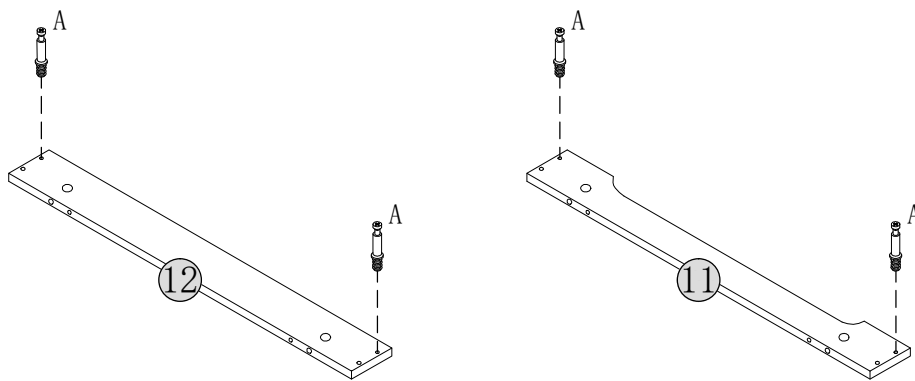
A×8

φ6×35mm

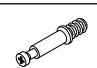
13



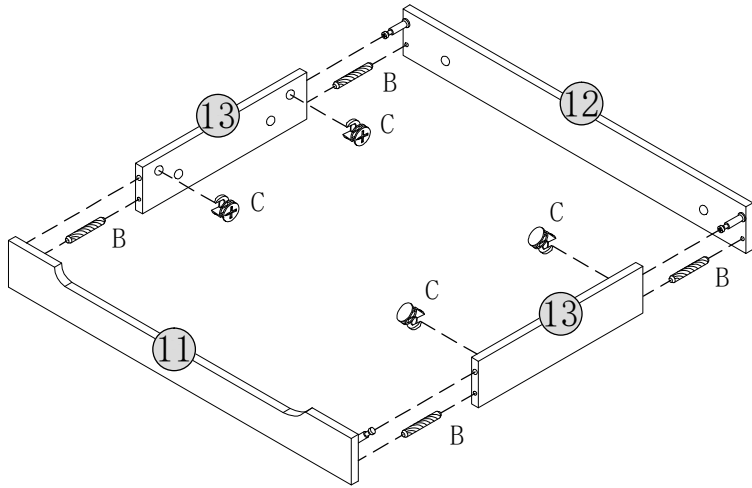
B × 6	H × 6
	
Ø6 × 30mm	Ø4 × 30mm



14



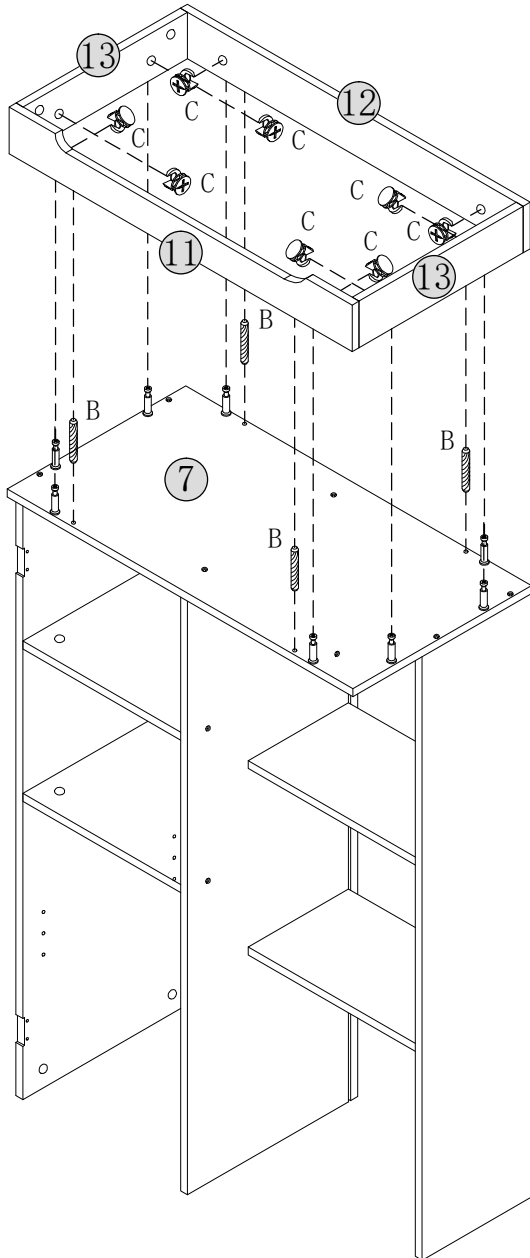
A × 4

Ø6 × 35mm



15

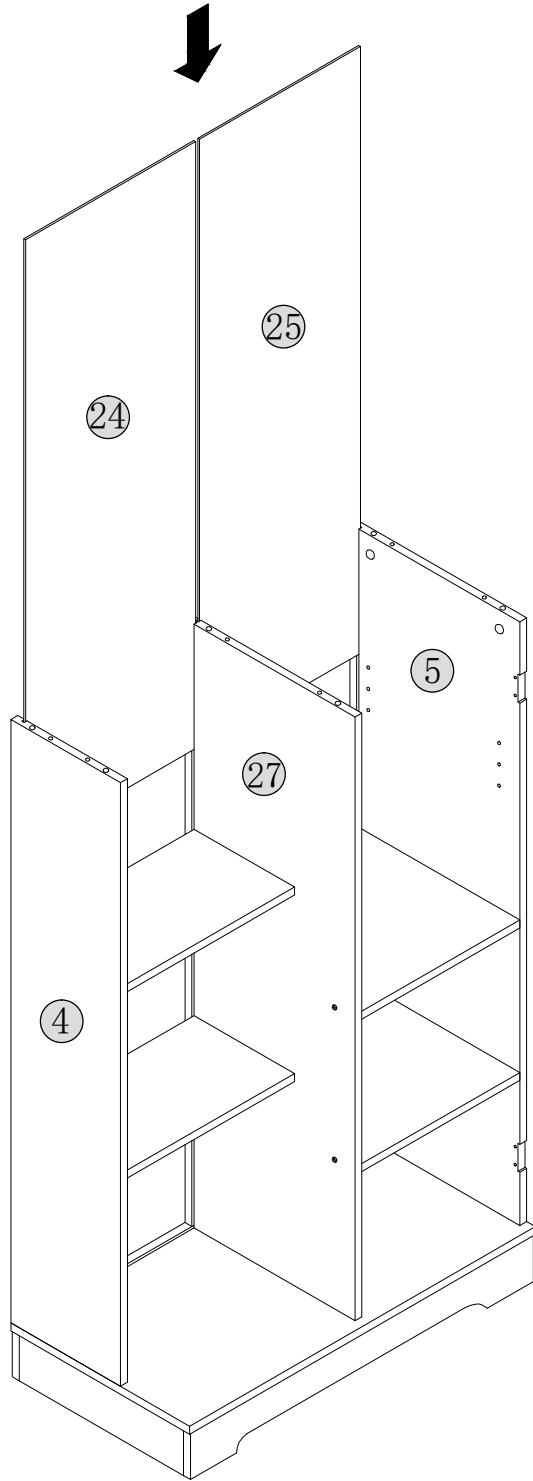


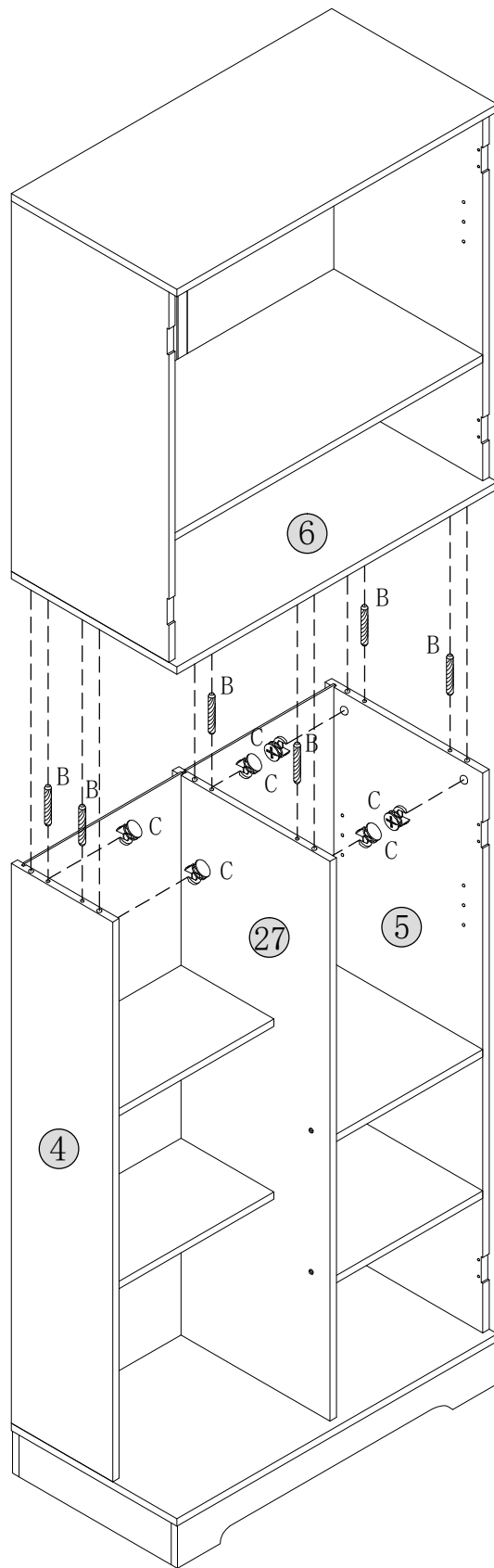
B×4	C×4
	
φ6×30mm	φ15×10mm



16



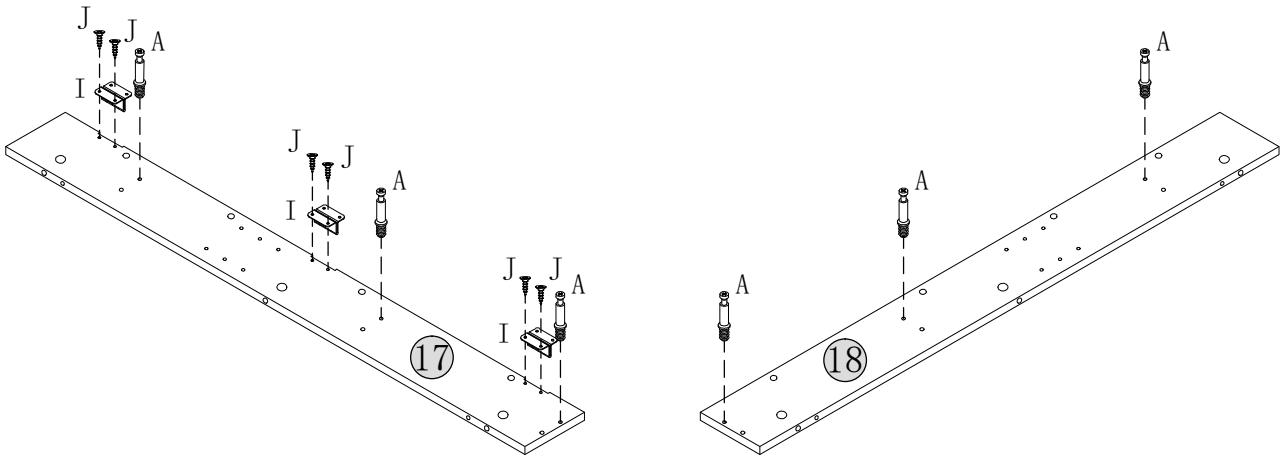
B×4	C×8
	
φ6×30mm	φ15×10mm

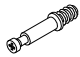
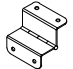





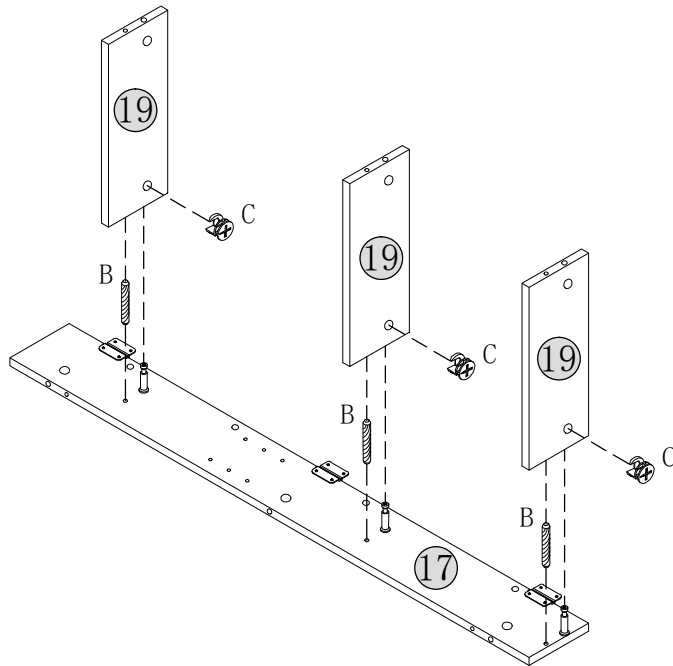
B×6	C×6
 φ6×30mm	 φ15×10mm



19



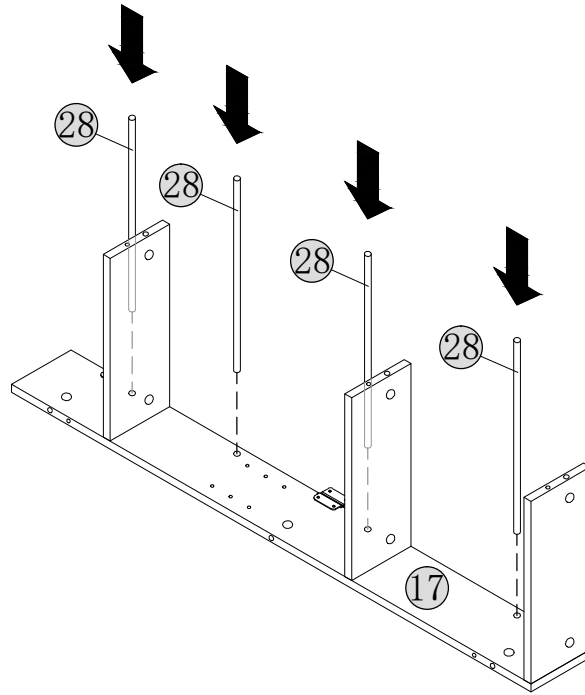
A×6	I×3	J×6
		
φ6×35mm		φ3×12mm

20

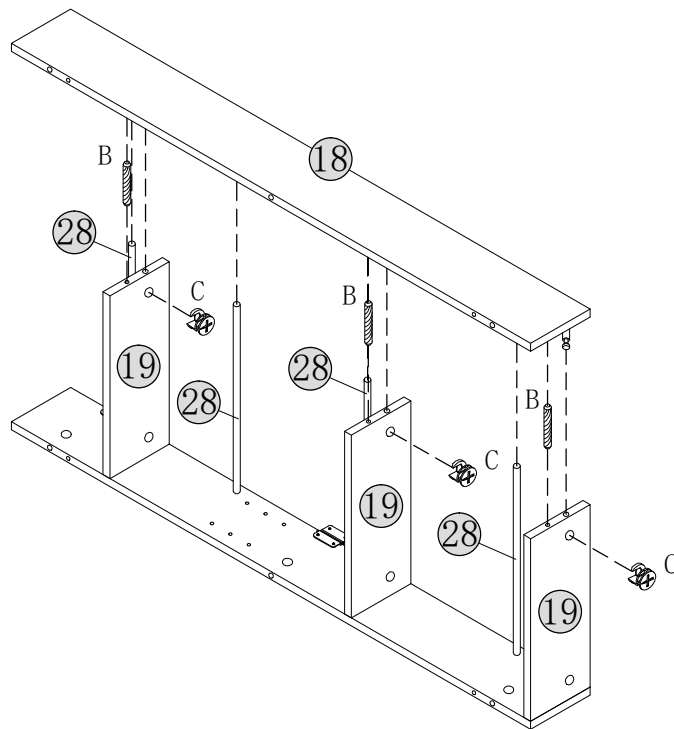




B×3	C×3
	
φ6×30mm	φ15×10mm

21

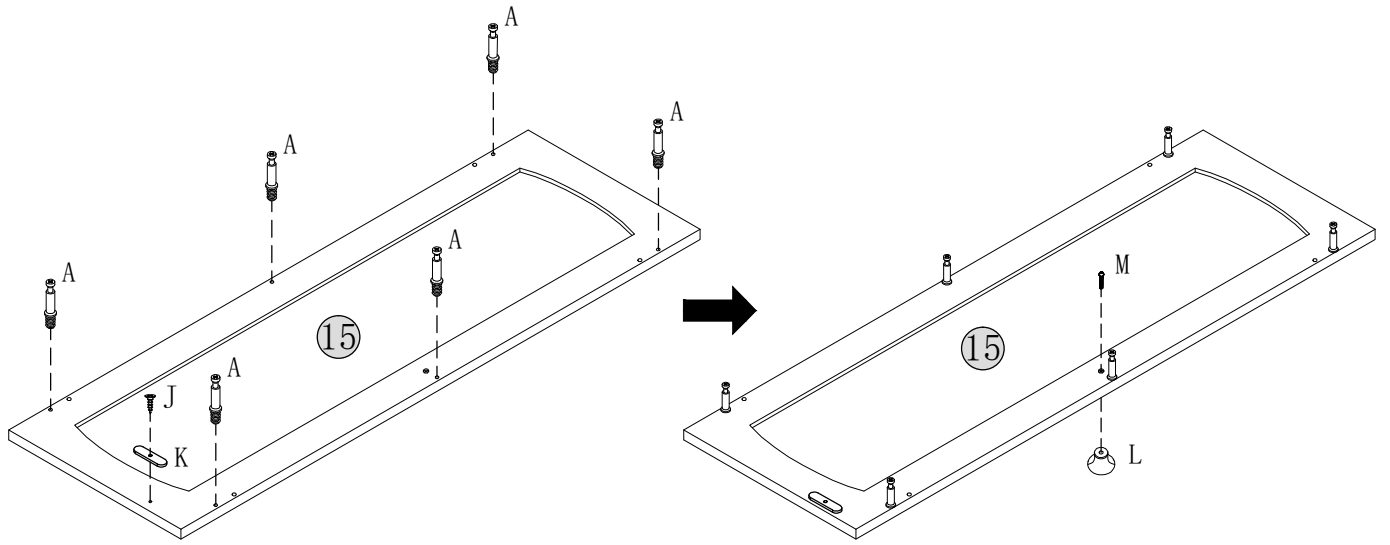







22



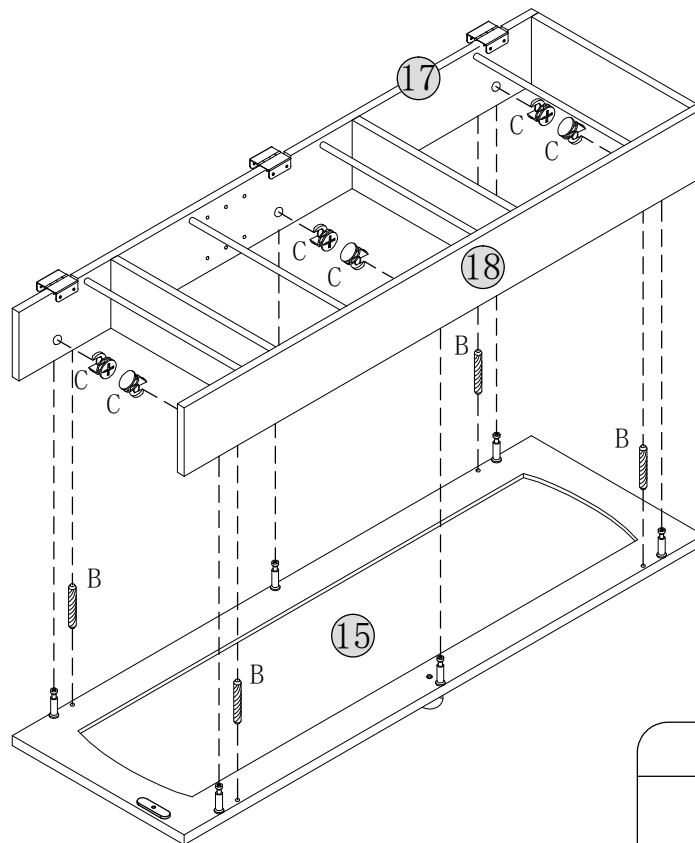
B × 3	C × 3
 φ6 × 30mm	 φ15 × 10mm



23

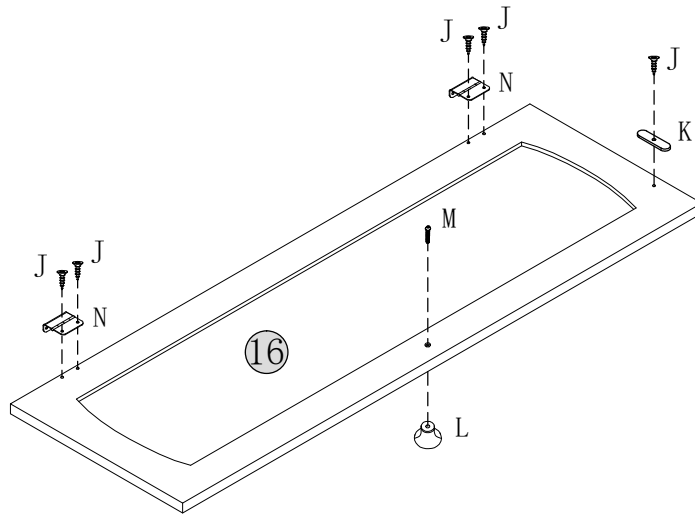
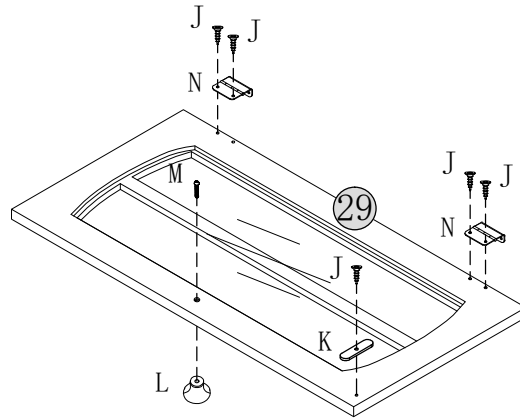
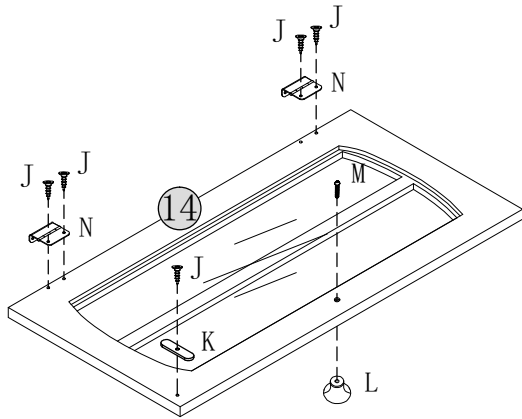






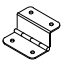
A × 6	J × 1	K × 1	L × 1	M × 1
				
φ6 × 35mm	φ3 × 12mm			φ4 × 16mm

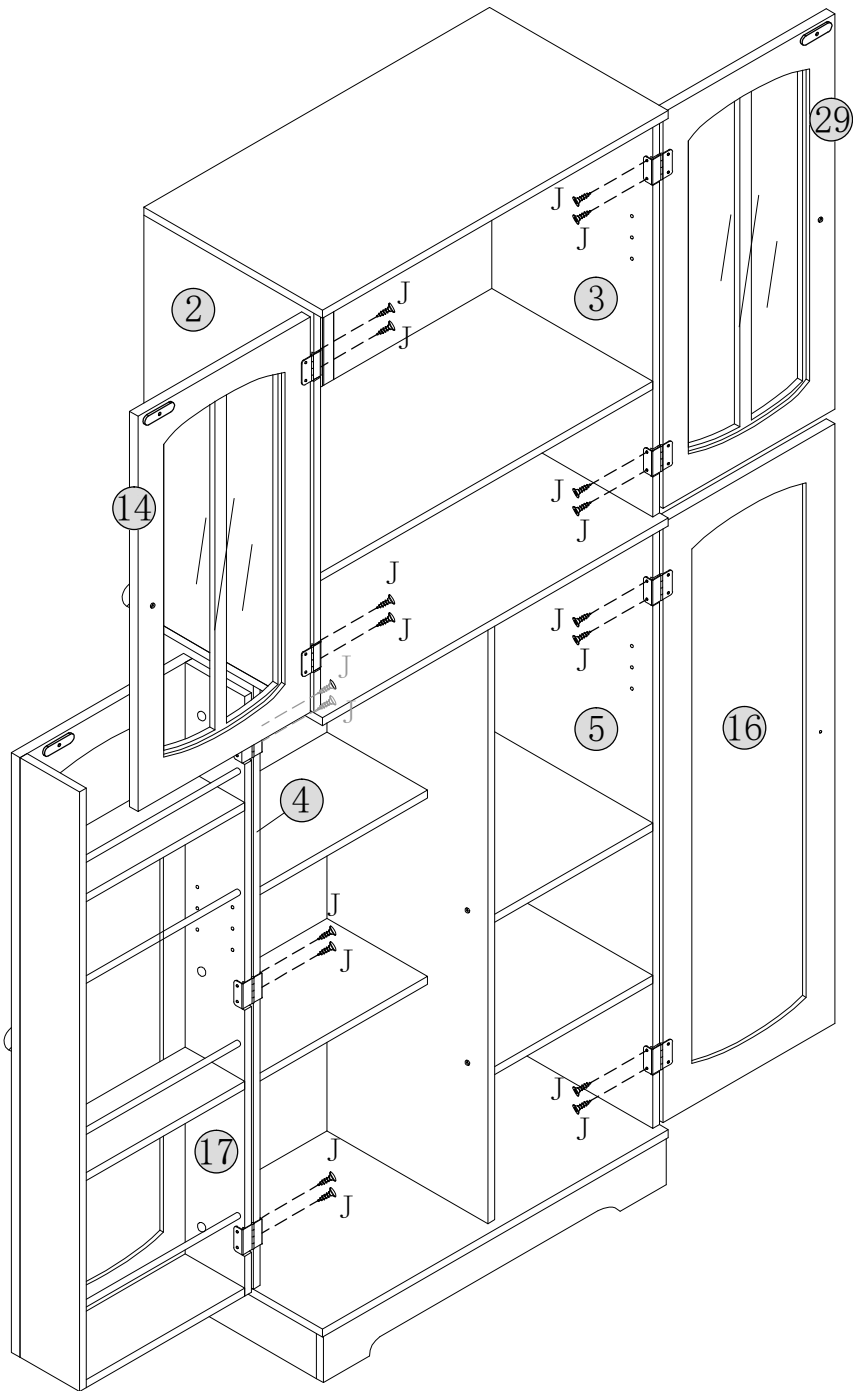
24




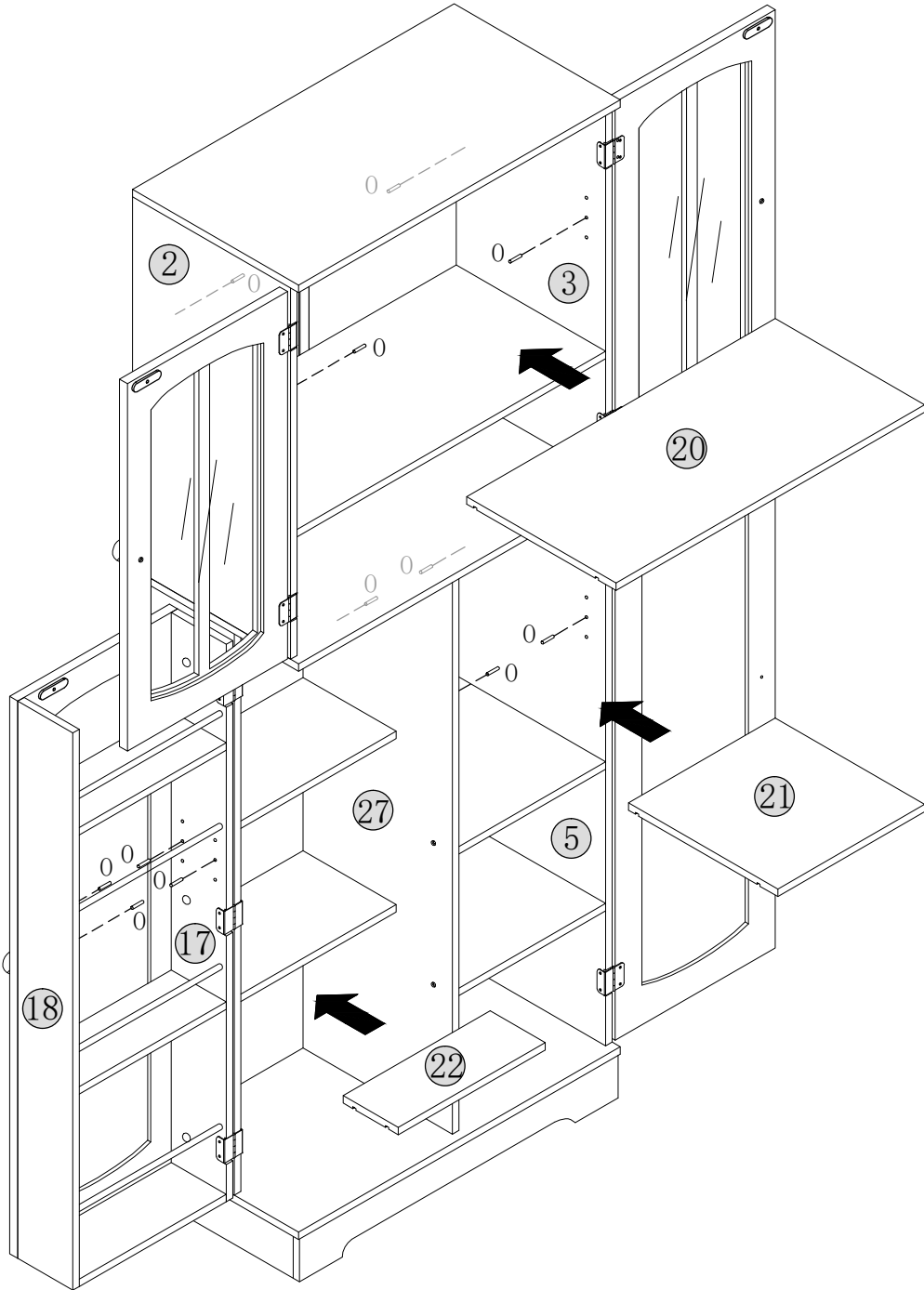
B × 4	C × 6
	
φ6 × 30mm	φ15 × 10mm




J × 15	K × 3	L × 3	M × 3	N × 6
 φ3 × 12mm			 φ4 × 16mm	

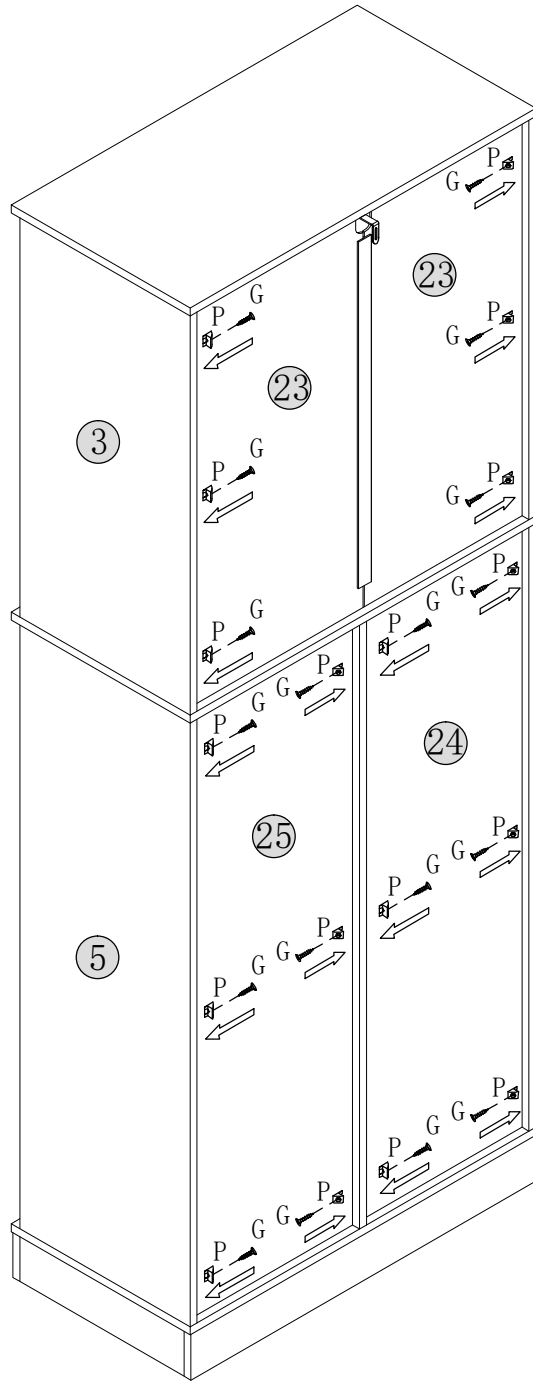




J×18

φ3×12mm

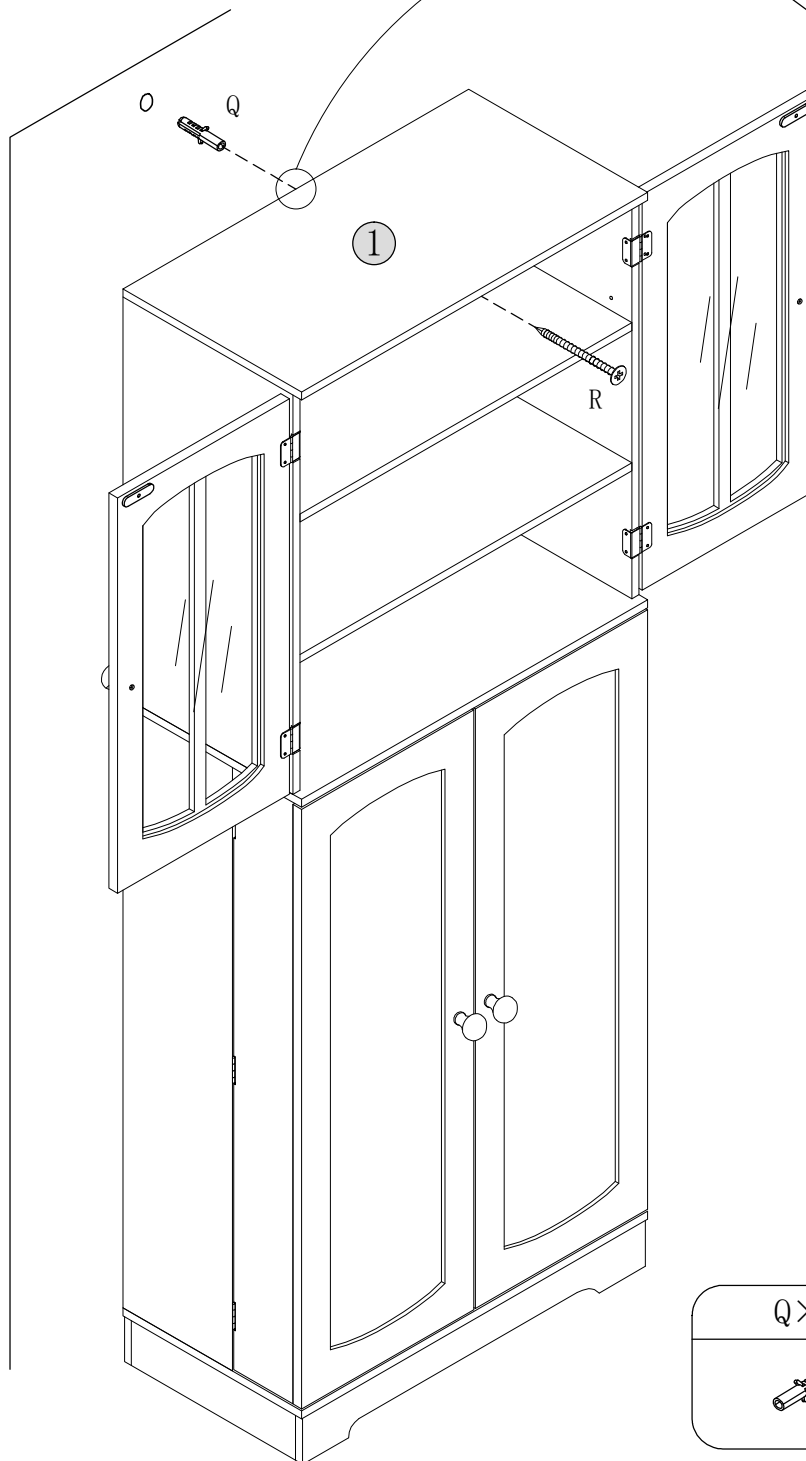
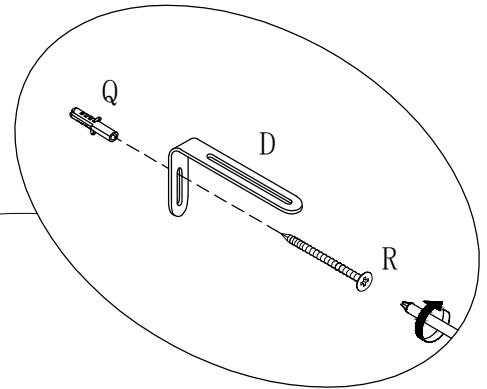
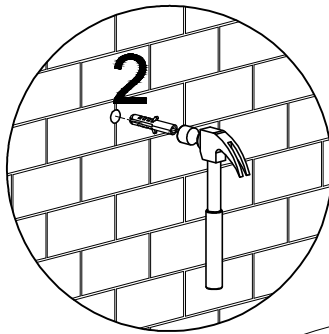
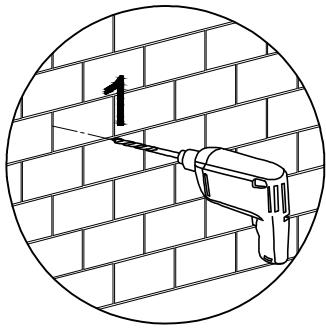




0x12





G × 18	P × 18
 Ø3 × 14mm	



Q × 1	R × 1
	
	Ø4 × 40mm