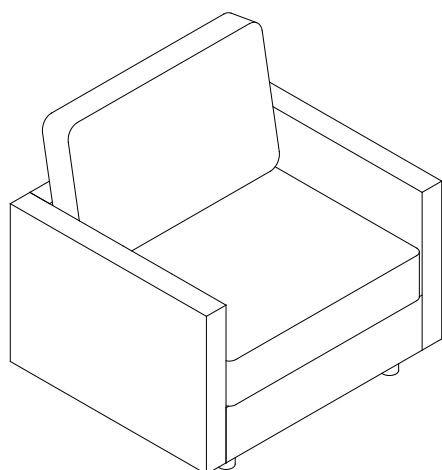


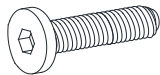


Chair

Before you start, here are some helpful advice:

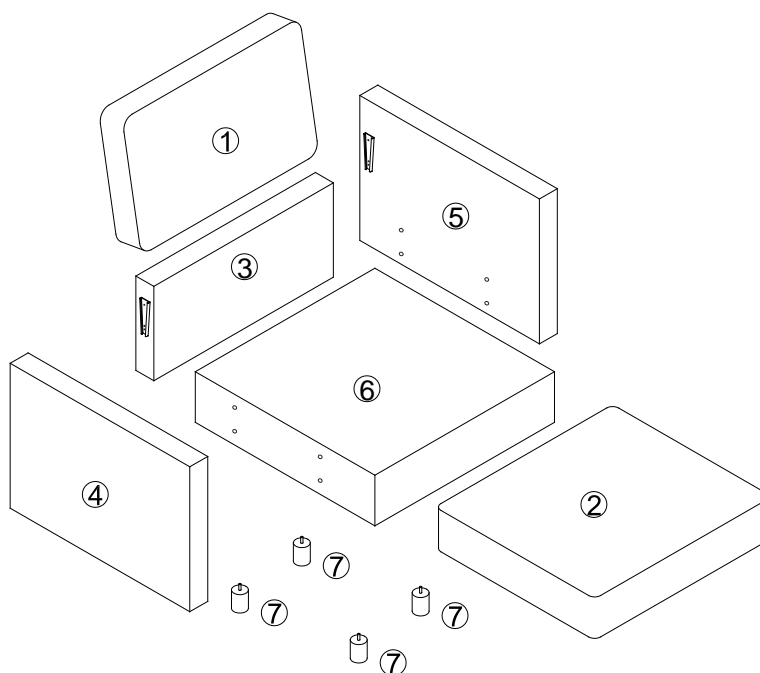
1. We suggest you spend a short time reading through this leaflet and then follow the simple step-by-step instructions.
2. Owing to the size and weight of the chair, we recommend that it is assembled by two adults, on a carpeted or padded area, in the room that it is intended for. Approximate assembly time: 25 minutes.
3. Please do not use any tools other than those provided or recommended in these instructions.
4. Please do not throw away any of the packaging or the instruction until you have checked all the components and hardware and the furniture is fully assembled. Please ensure that the packaging is disposed of in a safe and environmentally friendly way.
5. Assemble all components loosely until advised to tighten. Depending on use, it may be necessary to tighten the components from time to time, so please save the tools that have been provided.
6. Please keep all fitting out of reach of children.



Hardware:

- | | | | |
|----|--|----------------|------|
| A. |  | Bolt M8x60mm | x 10 |
| B. |  | Flat Washer M8 | x 10 |
| C. |  | Allen Wrench | x1 |

Component:



- | | | | |
|-------------------|-------------------|-----------------|---------------|
| 1 Back Cushion x1 | 2 Seat Cushion x1 | 3 Back Frame x1 | 4 Left Arm x1 |
| 5 Right Arm x1 | 6 Seat Frame x1 | 7 Leg x4 | |

Chair

STEP 1:

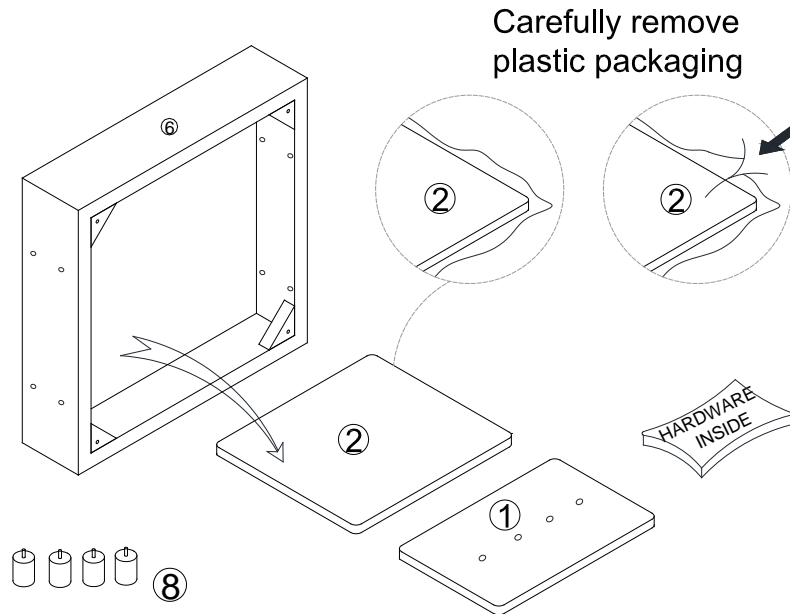
Please take the compressed **Seat Cushions (2)**, **Back Cushions (1)**, all Legs and hardwares bag from the bottom of **Seat Frame (6)**.

Carefully remove plastic packaging of the compressed **Seat Cushions (2)** and **Back Cushions (1)**.

Being carefully not to cut through to them.

Place compressed **Seat Cushions (2)** and **Back Cushions (1)** on a flat surface in a well ventilated room and allow 48 hours for expansion.

Due to the unique properties of the compressed **Seat Cushions (2)** and **Back Cushions (1)**, dimensions after expansion will vary slightly; this is normal and will not affect the performance of your chair.

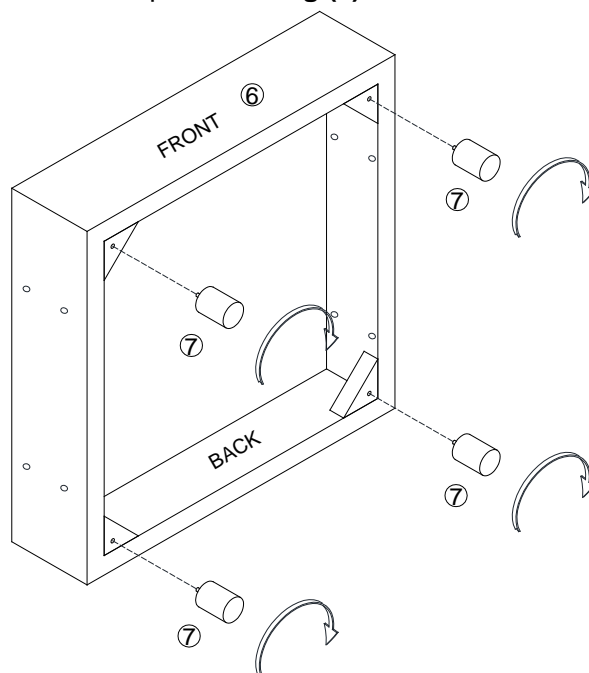


STEP 2:

Please put **Sofa Frame (6)** on a carpeted or padded surface.

Insert **Leg (7)** to the bottom of **Frame (6)** and tight by hand in the direction of the arrow as shown.

Repeat the same steps for the other 3 pieces of **Leg (7)**.

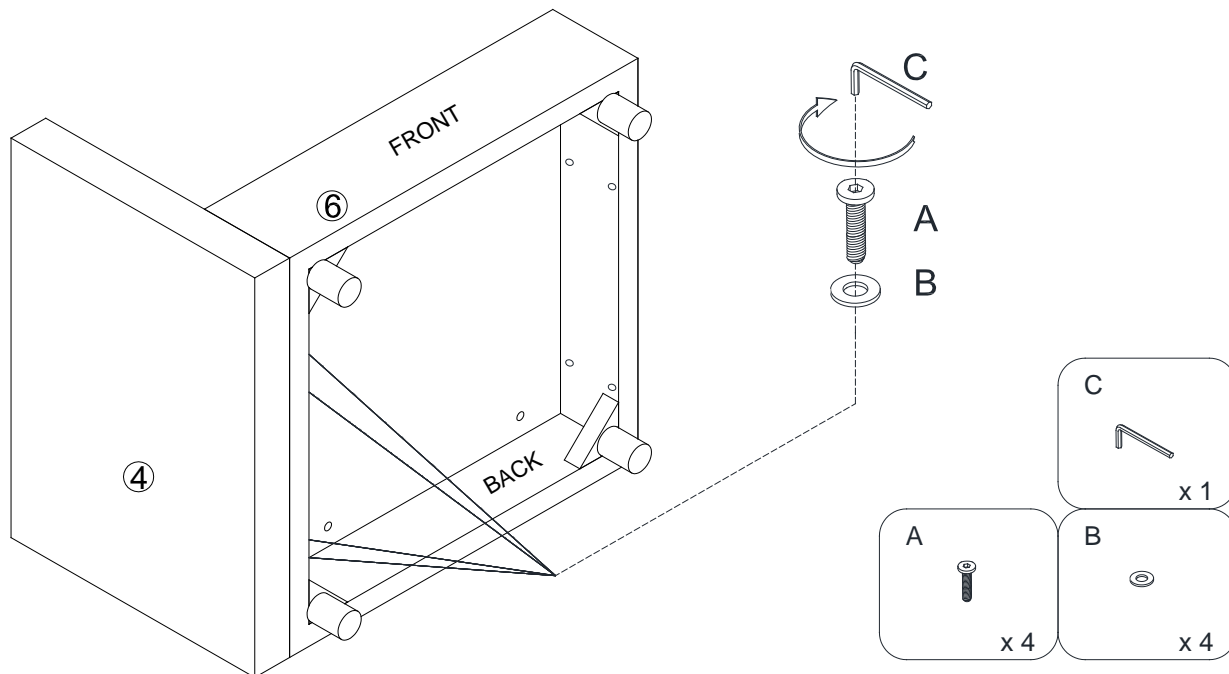


Chair

STEP 3:

Attach **Left Arm (4)** to the side of **Seat Frame (6)** by using 4 pieces of **Bolts (A)** with 4 pieces of **Flat Washers (B)** as shown.

Tighten **Bolts (A)** by using **Allen Wrench (C)** fully as shown.

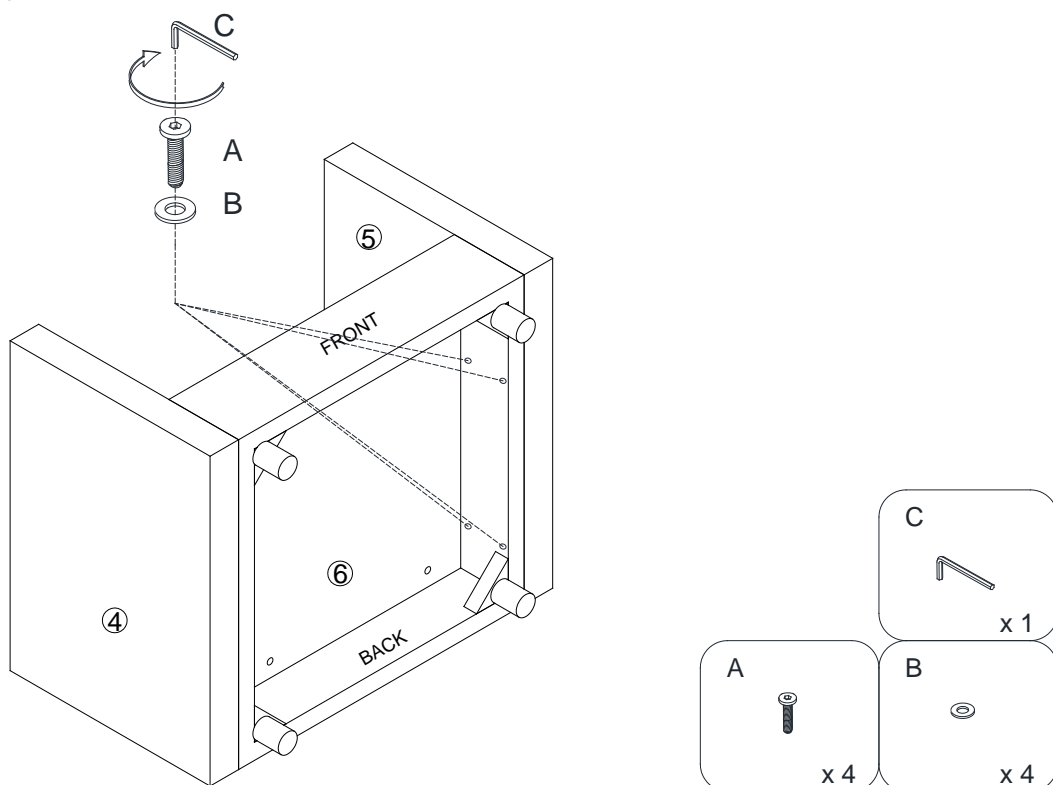


Hardware & Tools required

STEP 4:

Attach **Right Arm (5)** to the side of **Seat Frame (6)** by using 4 pieces of **Bolts (A)** with 4 pieces of **Flat Washers (B)** as shown.

Tighten **Bolts (A)** by using **Allen Wrench (C)** fully as shown.

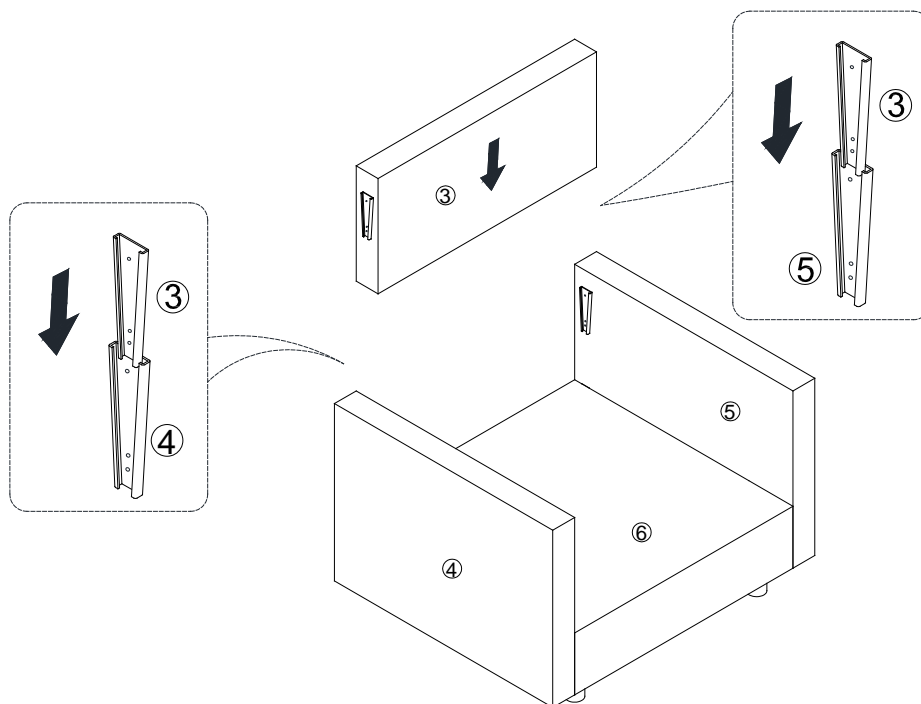


Hardware & Tools required

Chair

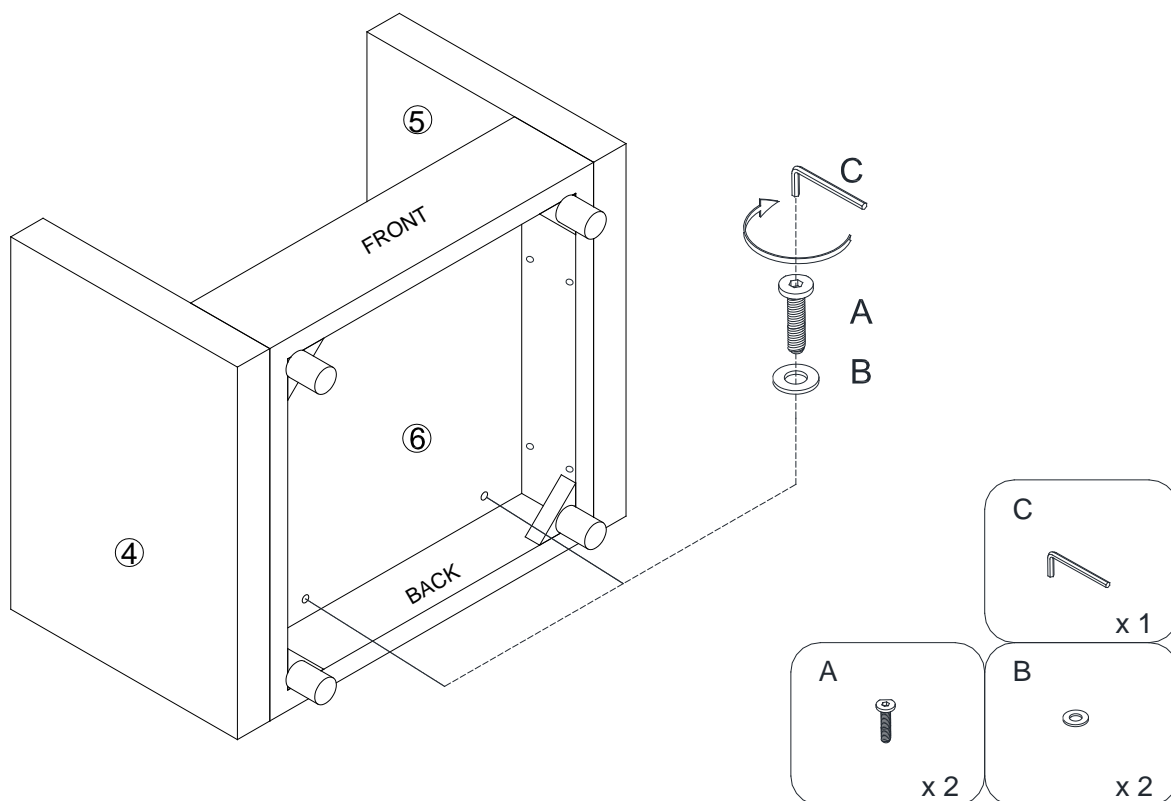
STEP 5:

Slide the two clips of **Back Frame (3)** to the clips of the side of the **Left Arm (4)**, **Right Arm (5)** by hand in the direction of the arrow as shown.



STEP 6:

Insert 2 pieces of **Bolts (A)** with 2 pieces of **Flat Washers (B)** into the pre-drilled holes on **Seat Frame (6)**. Use **Allen Wrench (C)** to tighten **Bolts (A)** clockwise until secure.



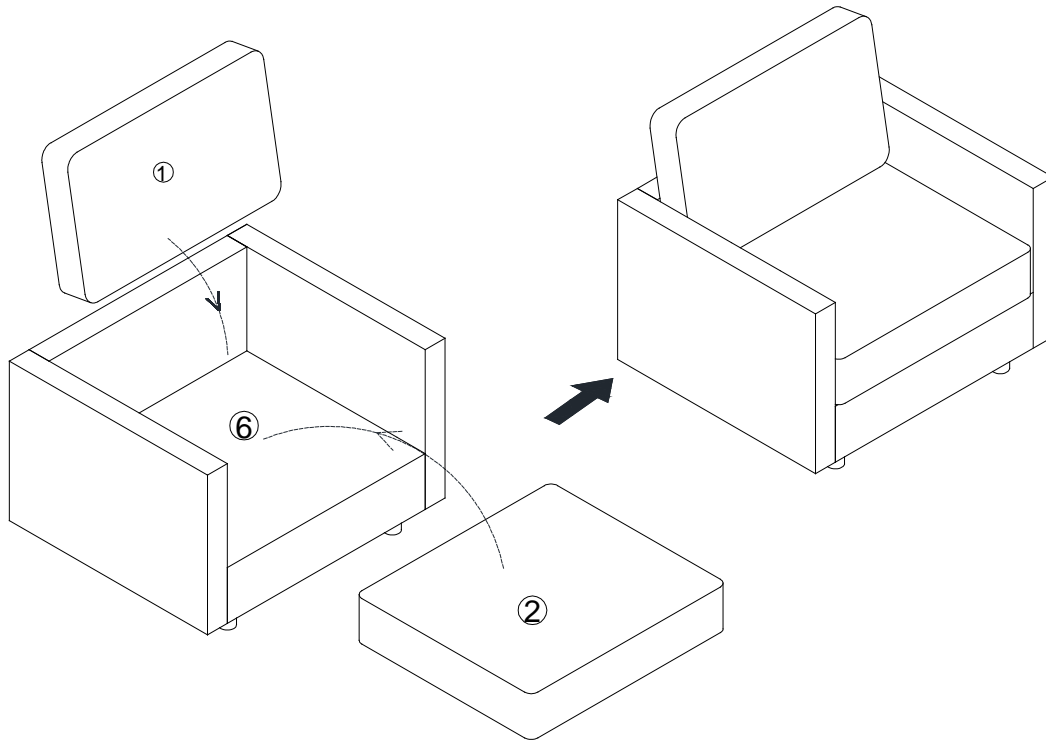
Hardware & Tools required

Chair

STEP 7:

Put **Back Cushion (1)** and **Seat Cushion (2)** to the assembled chair as shown.

Assembly is complete. Your Chair is ready to be used now!



SOFA USER GUIDELINE

This product makes a long journey to reach you and the cushion is compressed, please reshape the cushion to restore to its original beauty before using, steps as follows:



1. Carefully remove the plastic packing and put the cushion on a flat surface in a well ventilated room and allow 48 hours for expansion.



2. Press the back cushions with both hands from side edge.



3. Press the back cushions with both hands from front side.



4. Restoring action is complete, you can put it to the assembled sofa now.