



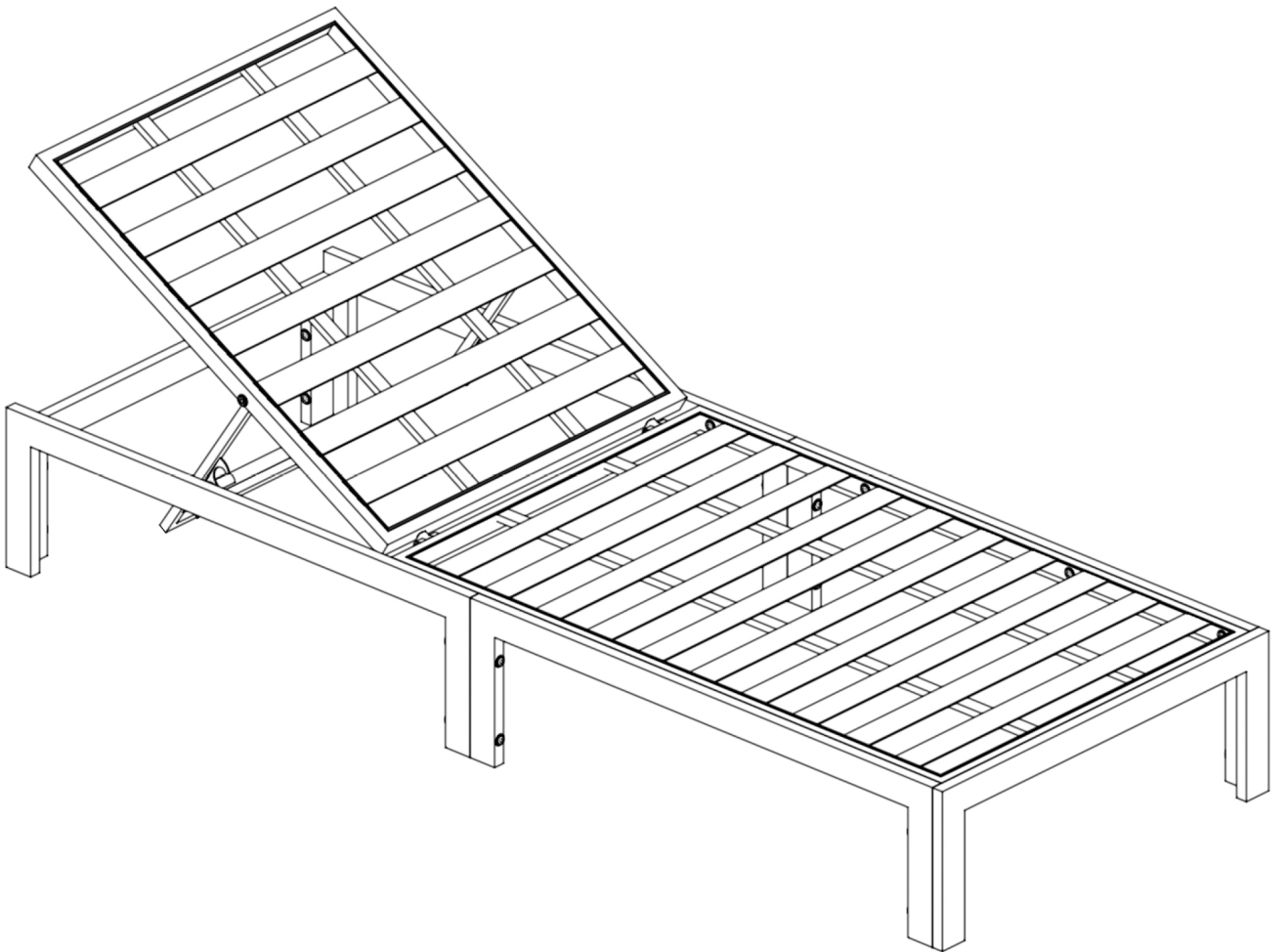
Assembly Instruction

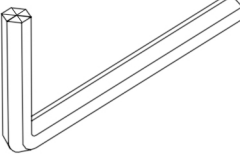

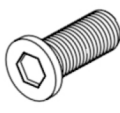
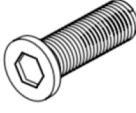
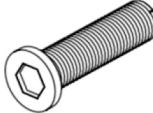
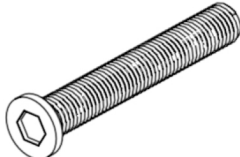
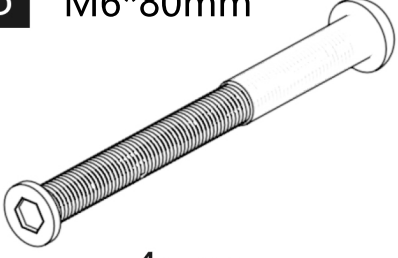
Lounge Chair

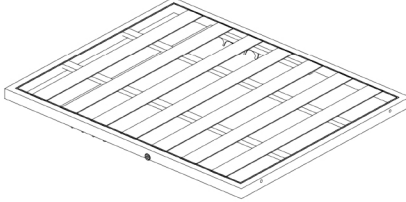
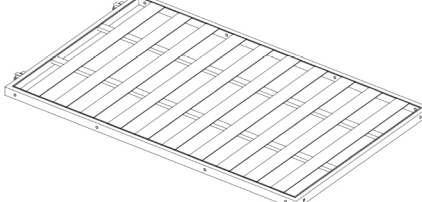
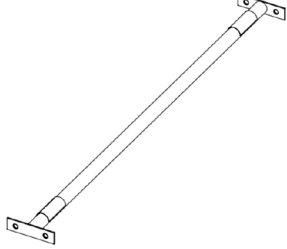
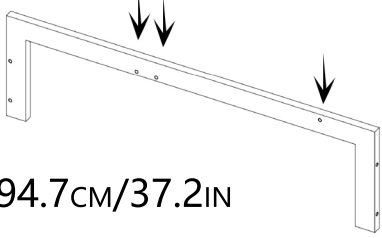
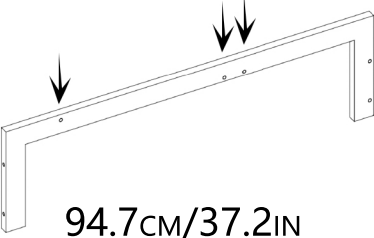
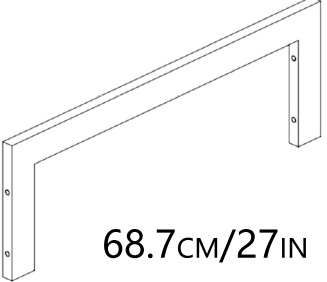
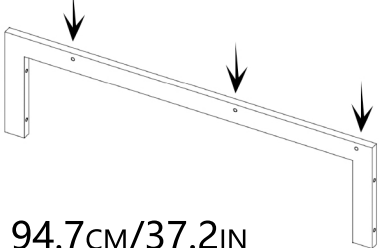
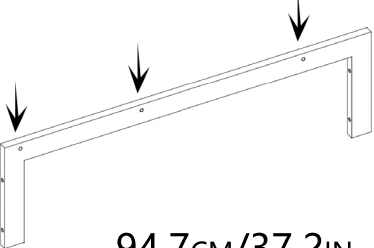
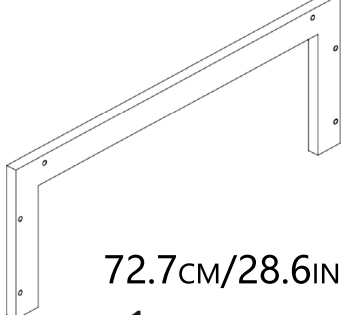
- Please make sure you have all of parts listed, Before you begin to assemble it.
- Please follow our instruction step by step, or follow our video.
- Manually install sofa with our tools is highly recommended, please use the LOW SPEED when using electrical tools
- DO NOT tighten the screws completely until all screws are aligned with the holes

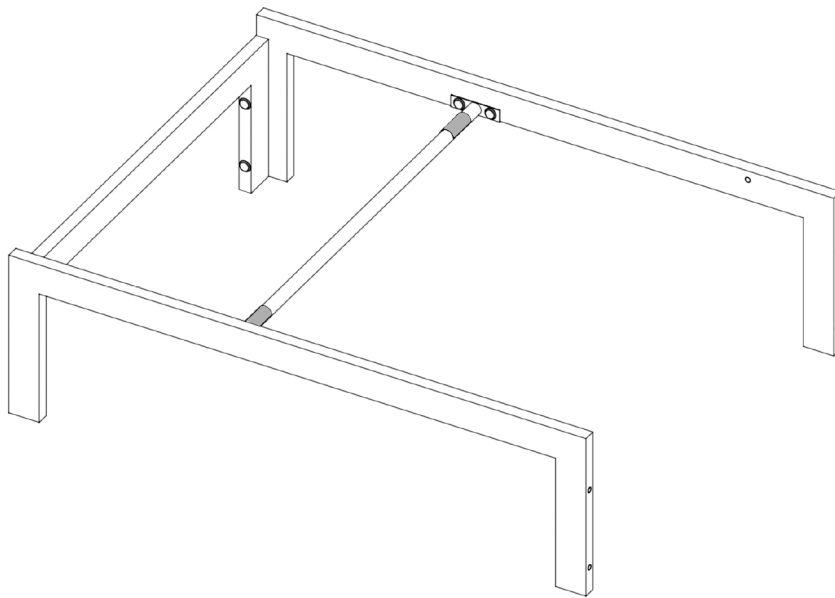
Cushion NOTE

- The back cushion is vacuumed sealed. After opening the bag, some time and fluffing will be required for the cushion to return to the original thickness.
- Rub and flap the cushion to return to original thickness before use .



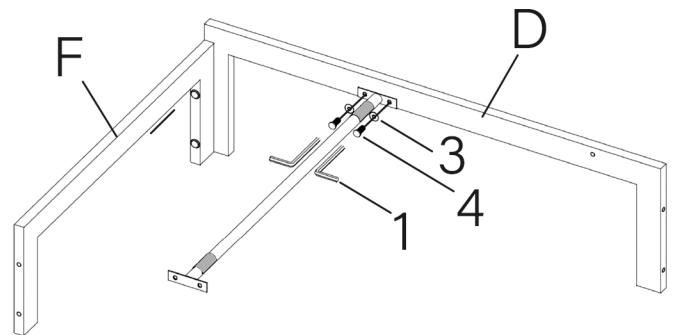
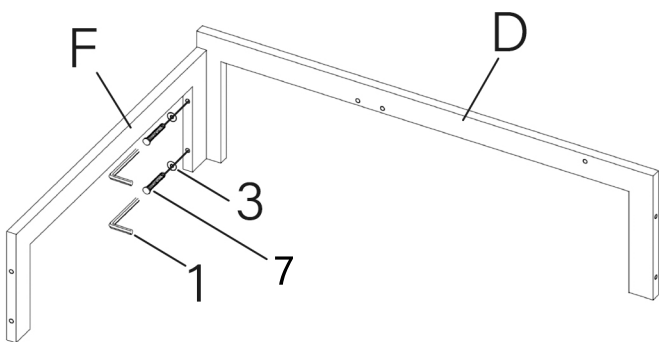
<p>1</p>  <p>2pcs</p>		<p>3</p>  <p>28pcs</p>	<p>4 M6*15mm</p>  <p>4pcs</p>
<p>5 M6*20mm</p>  <p>2pcs</p>	<p>6 M6*25mm</p>  <p>10pcs</p>	<p>7 M6*65mm</p>  <p>8pcs</p>	<p>8 M6*80mm</p>  <p>4pcs</p>

<p>A</p>  <p>1pcs</p>	<p>B</p>  <p>1pcs</p>	<p>C</p>  <p>1pcs</p>
<p>D</p>  <p>94.7cm/37.2in</p> <p>1pcs</p>	<p>E</p>  <p>94.7cm/37.2in</p> <p>1pcs</p>	<p>F</p>  <p>68.7cm/27in</p> <p>1pcs</p>
<p>G</p>  <p>94.7cm/37.2in</p> <p>1pcs</p>	<p>H</p>  <p>94.7cm/37.2in</p> <p>1pcs</p>	<p>J</p>  <p>72.7cm/28.6in</p> <p>1pcs</p>

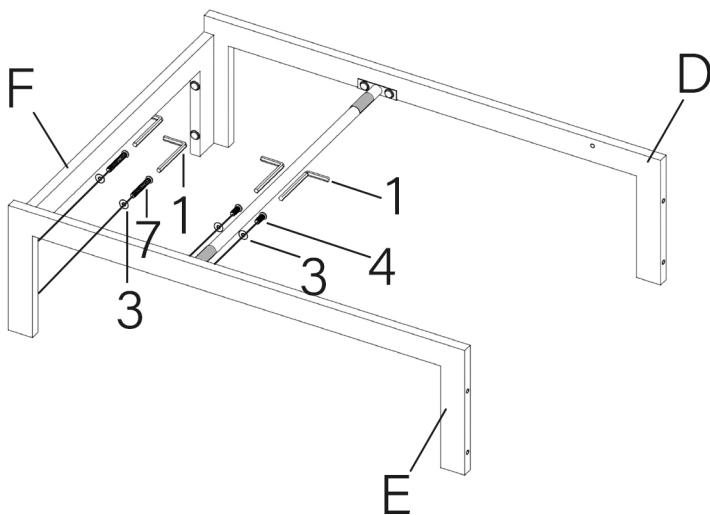


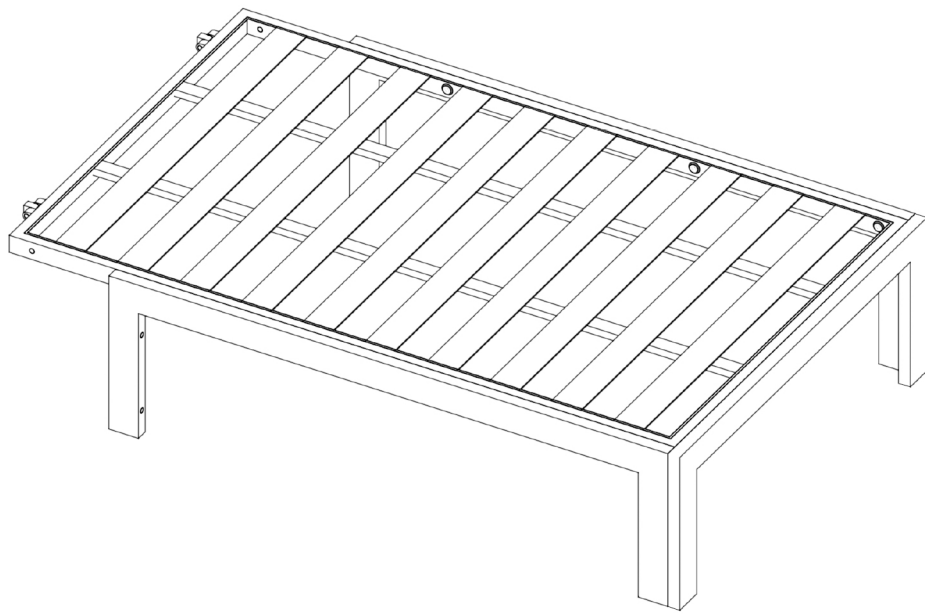
1

2

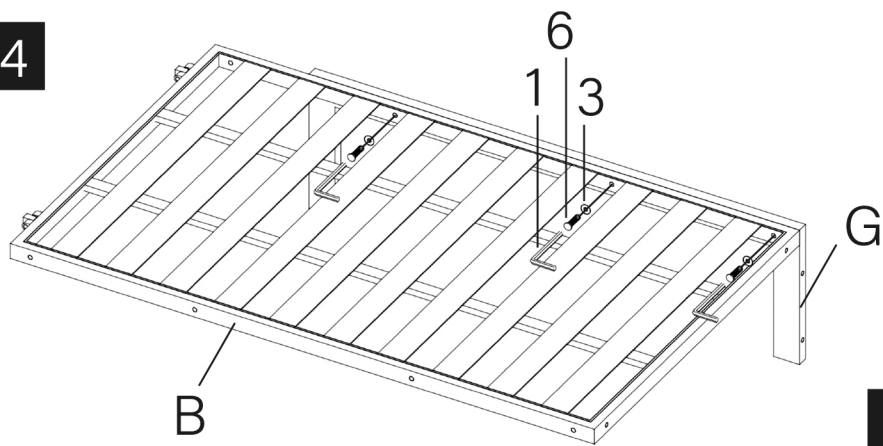


3

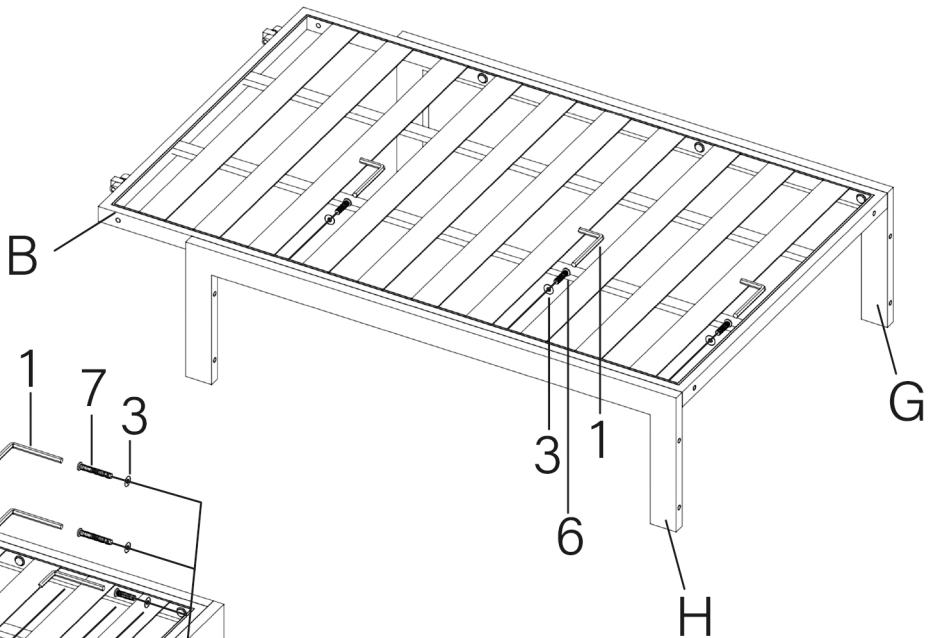




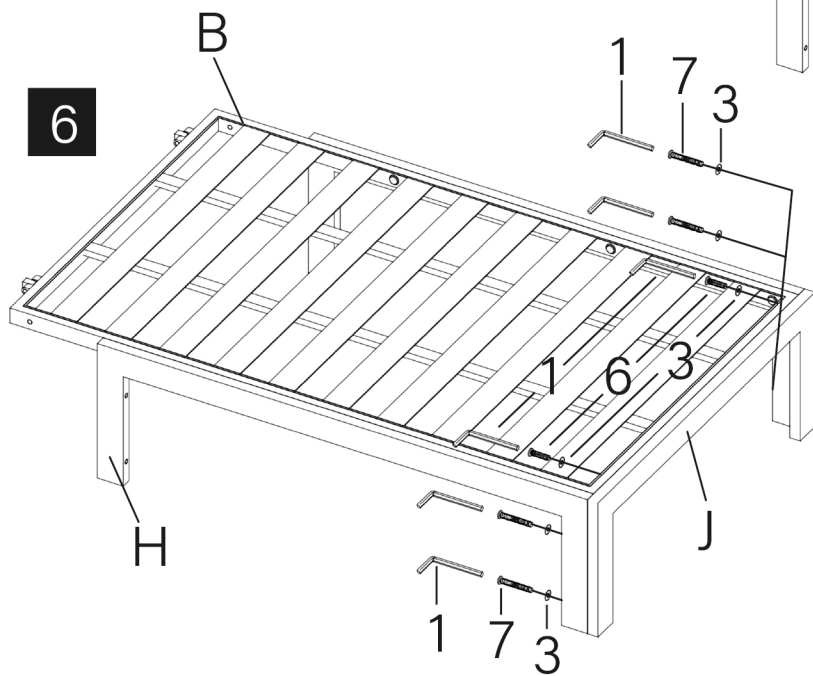
4



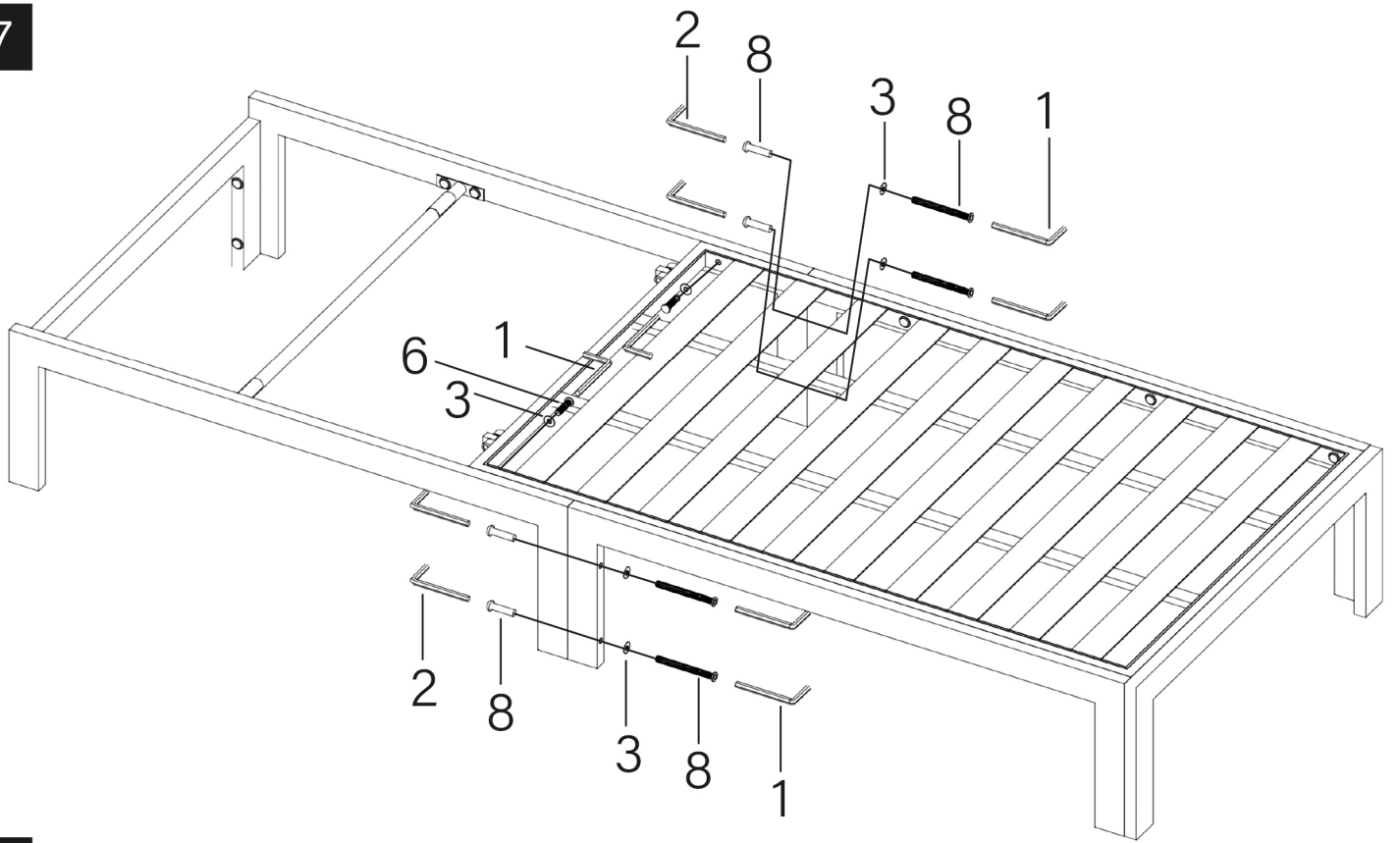
5



6



7



8

