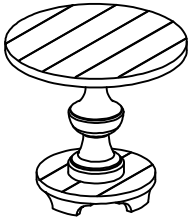


## ASSEMBLY INSTRUCTION

### DESCRIPTION ROUND END TABLE

Thank you for purchasing this quality product. Be sure to check all packing material carefully for small parts which may have some loose inside the carton during shipment. Identify and count all parts and compare with the parts List Below:



| HARDWARE LIST |         |                           |       |
|---------------|---------|---------------------------|-------|
| NO.           | Drawing | Description               | Q'ty  |
| A             |         | Bolt (Φ5/16"x1-1/2")      | 12pcs |
| B             |         | Flat washer (Φ5/16"x23mm) | 12pcs |
| C             |         | Spring washer (Φ5/16")    | 12pcs |
| D             |         | Allen wrench (5mm)        | 1pc   |

**PART LIST:**

|               |              |                    |          |
|---------------|--------------|--------------------|----------|
| <p>①</p>      | <p>②</p>     | <p>③</p>           | <p>④</p> |
| TABLE TOP:1PC | PEDESTAL:1PC | MOUNTING PLATE:1PC | BASE:1PC |

| STEP 1 | STEP 2 | STEP 3 |
|--------|--------|--------|
|        |        |        |

### CLEANING INSTRUCTION

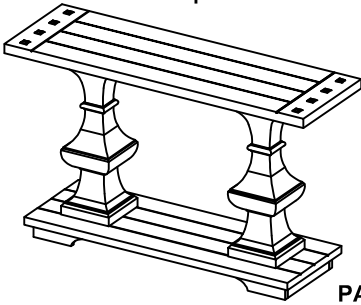
Clean the Chairside table surface with a furniture polish and a soft cloth.

Made in VietNam

# ASSEMBLY INSTRUCTION

## DESCRIPTION SOFA TABLE

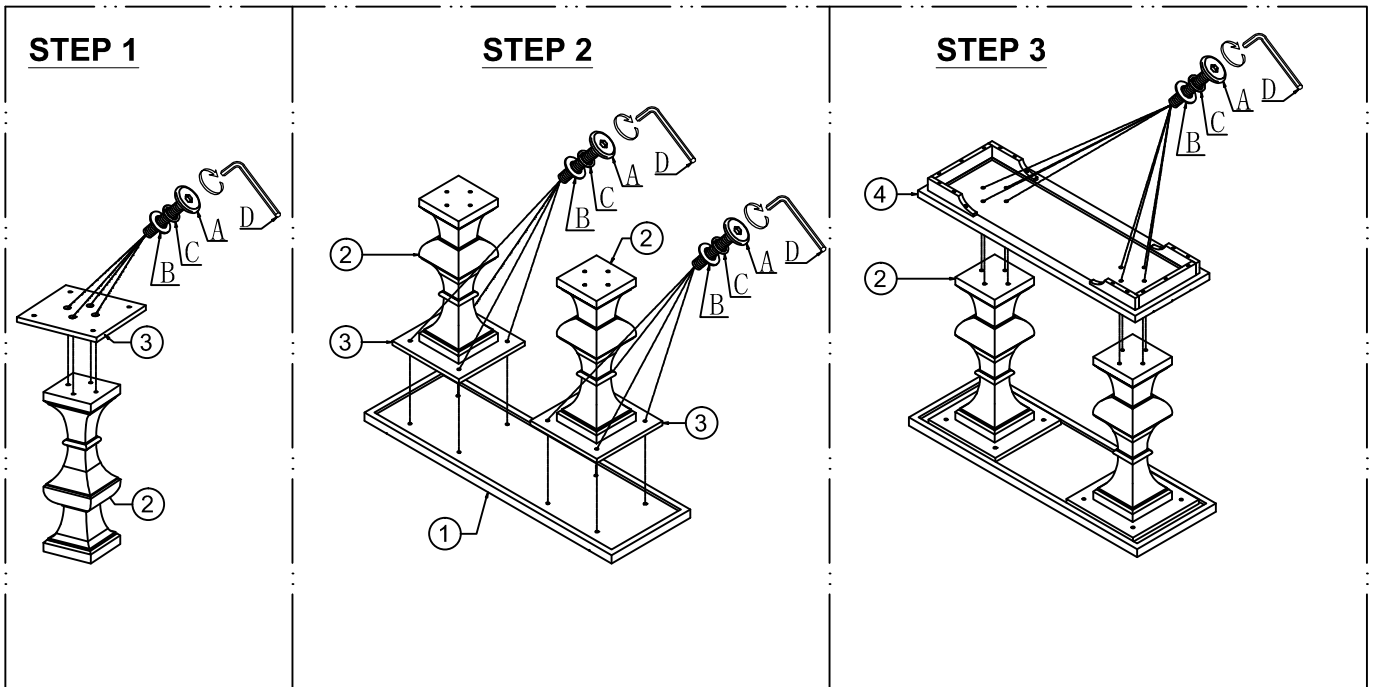
Thank you for purchasing this quality product. Be sure to check all packing material carefully for small parts which may have some loose inside the carton during shipment. Identify and count all parts and compare with the parts List Below:



| HARDWARE LIST |         |                           |       |
|---------------|---------|---------------------------|-------|
| NO.           | Drawing | Description               | Q'ty  |
| A             |         | Bolt (Φ5/16"x1-1/2")      | 24pcs |
| B             |         | Flat washer (Φ5/16"x23mm) | 24pcs |
| C             |         | Spring washer (Φ5/16")    | 24pcs |
| D             |         | Allen wrench (5mm)        | 1pc   |

### PART LIST:

|               |               |                     |          |
|---------------|---------------|---------------------|----------|
| ①<br>         | ②<br>         | ③<br>               | ④<br>    |
| TABLE TOP:1PC | PEDESTAL:2PCS | MOUNTING PLATE:2PCS | BASE:1PC |



## CLEANING INSTRUCTION

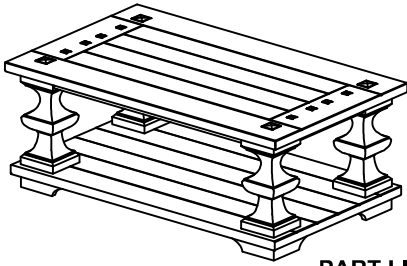
Clean the Chairside table surface with a furniture polish and a soft cloth.

Made in VietNam

## ASSEMBLY INSTRUCTION

### DESCRIPTION COFFEE TABLE

Thank you for purchasing this quality product. Be sure to check all packing material carefully for small parts which may have some loose inside the carton during shipment. Identify and count all parts and compare with the parts List Below:



**PART LIST:**

| HARDWARE LIST |         |                           |       |
|---------------|---------|---------------------------|-------|
| NO.           | Drawing | Description               | Q'ty  |
| A             |         | Bolt (Φ5/16"x2-1/4")      | 8pcs  |
| B             |         | Bolt (Φ5/16"x1-3/4")      | 12pcs |
| C             |         | Flat washer (ø5/16"x23mm) | 20pcs |
| D             |         | Spring washer (ø5/16")    | 20pcs |
| E             |         | Allen wrench (5mm)        | 1pc   |

|  |  |   |
|--|--|---|
| <p>①</p> <p style="text-align: center;"><b>TABLE TOP:1PC</b></p> | <p>②</p> <p style="text-align: center;"><b>PEDESTAL:4PCS</b></p> | <p>③</p> <p style="text-align: center;"><b>BASE:1PC</b></p> |
|--|--|---|

|                      |                      |
|----------------------|----------------------|
| <p><b>STEP 1</b></p> | <p><b>STEP 2</b></p> |
|----------------------|----------------------|

### CLEANING INSTRUCTION

Clean the Chairside table surface with a furniture polish and a soft cloth.

Made in VietNam