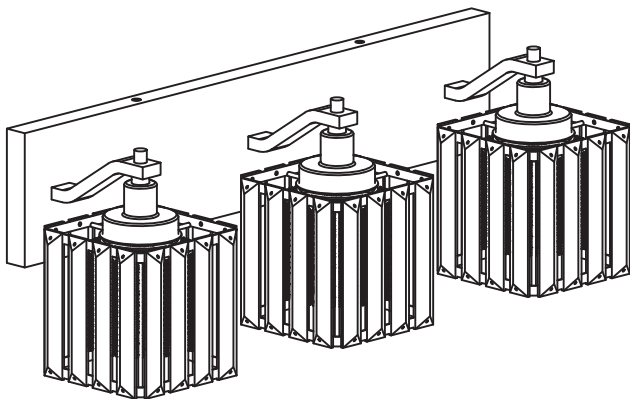


edishinē

Vanity Light

[Instruction Manual]



Please pay attention to the warning signs
Read the instructions with caution before operating
and keep it properly

Warning:

Risk of fire. Min 75°C supply conductors. Consult a qualified electrician to ensure correct installation. Before installation, please turn off the main power of the circuit breaker to prevent possible electric shock.

Part	Description	Quantity
1	Vanity Light	1pc
2	Wire Connectors	3pcs
3	Self Tapping Screw	4pcs
4	Expansion screw	4pcs
5	Mounting screws	2pcs
6	Instruction Manual	1pc

Installation Instructions

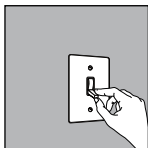


FIG.1 WALL SWITCH

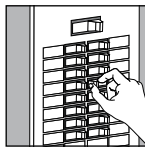


FIG.2 BREAKER PANEL

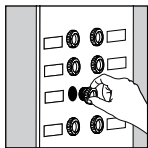


FIG.3 FUSE BOX

STEP 02: INSTALL THE MOUNTING BAR

Unscrew ③FIXTURE SCREWS, secure the ⑥MOUNTING BAR to the ①OUTLET BOX(Not included) using the ⑧OUTLET BOX SCREWS and ⑤EXPANSION SCREWS.

STEP 03: CONNECT THE WIRE

Connect the fixture wires to the internal wires from the ①OUTLET BOX (Not included) with the ④WIRE CONNECTORS. Make sure that the wires are connected correctly. Black wire to live wire, white wire to neutral wire, ground wire to ground wire. Wrap the ground wire around the screw on the ⑥MOUNTING BAR, then secure the screw to the ⑥MOUNTING BAR.

STEP 04: FIX THE LIGHT

Secure the FIXTURE to the ⑥MOUNTING BAR and tighten the ③FIXTURE SCREWS on both sides. Make sure that the FIXTURE is perfectly fixed and that the wires are not pinched between the mounting plate and the fixture. Use ⑨SOCKET RINGS to fix LAMP SHADE to the FIXTURE and then install the ⑩BULB (Not included).

Specifications

- Input Voltage: 120VAC 60Hz
- Max.load Power: incandescent Bulb 60W x 3Socket
- Socket Type: Standard medium E26 (bulb not included)

One Year Limited Warranty

Supported by our professional R&D team and QC team, we provide One Year Warranty for materials and workmanship from the purchase date. Please note that the warranty does not cover damage caused by personal misuse or improper installation.

Please attach your Order ID and Name so that our dedicated customer service team can help you better.



Made in China