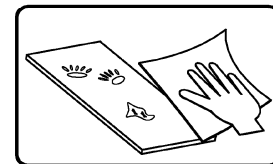
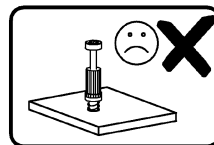
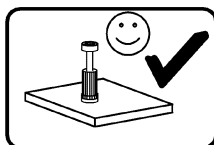
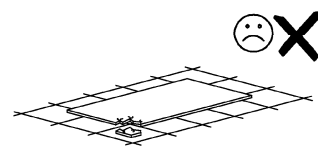
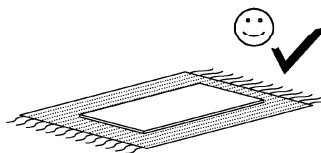
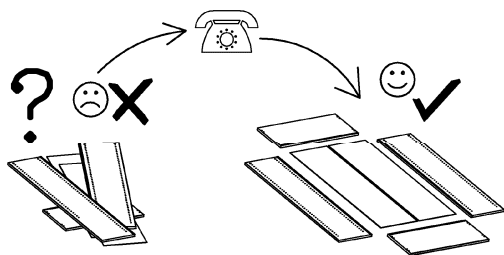
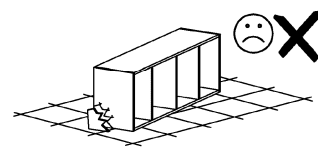
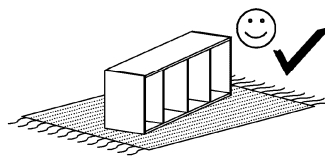
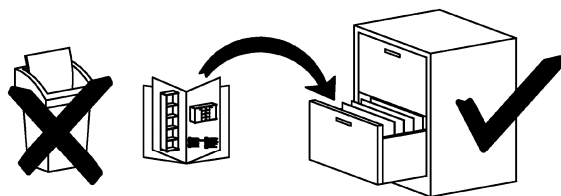
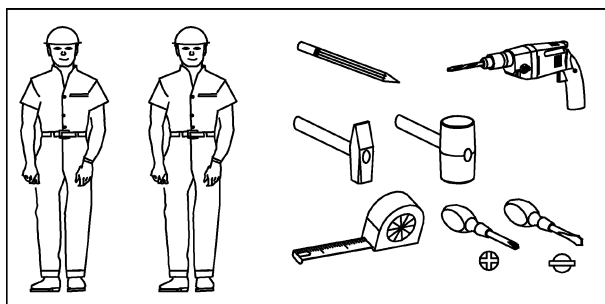
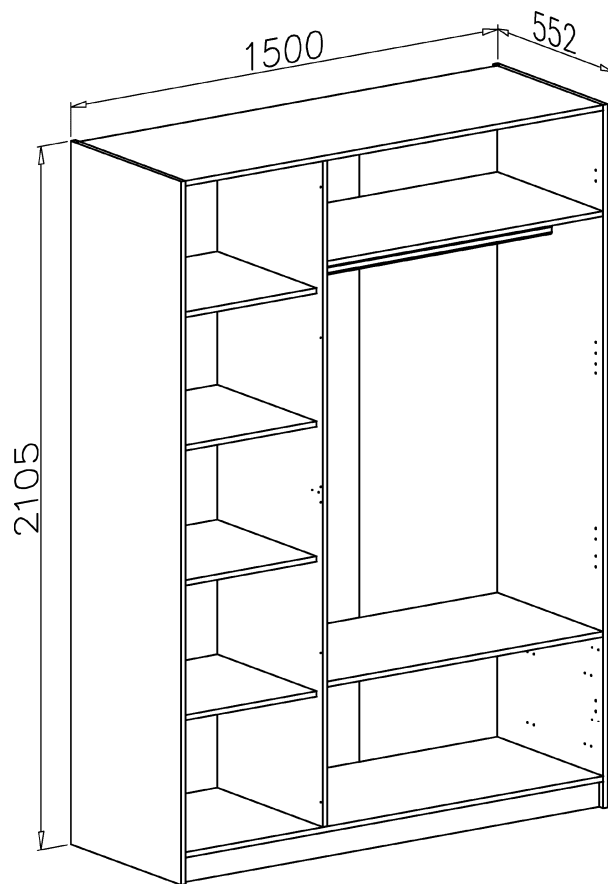
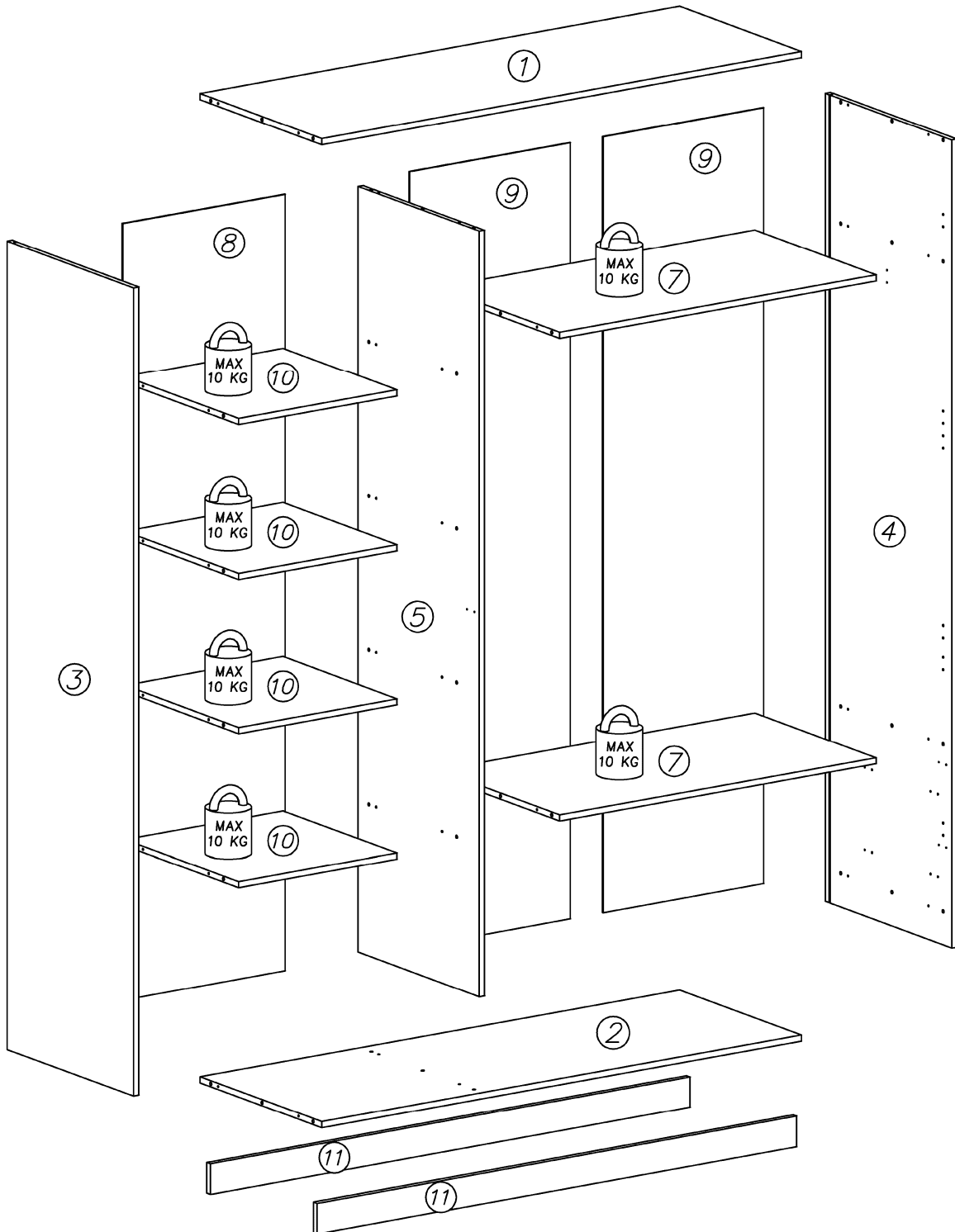
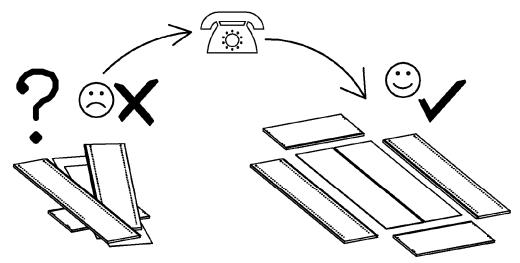
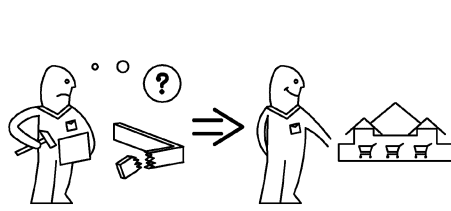
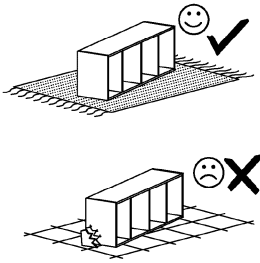
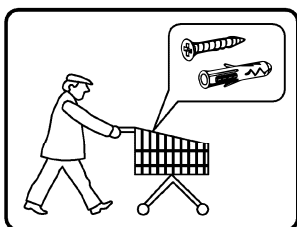
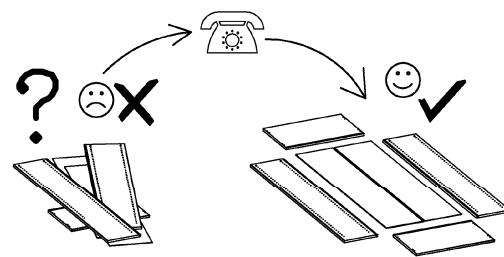
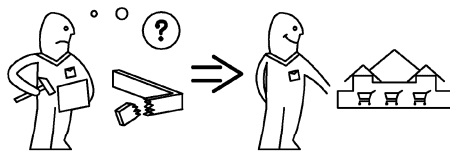
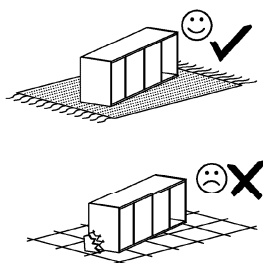


szafa 3D





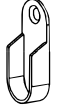


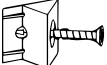
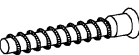

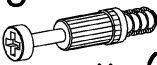

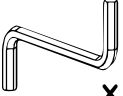




szafa 3D

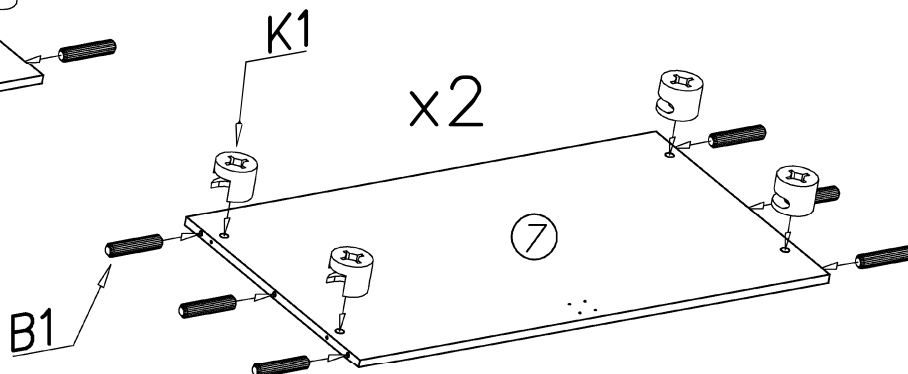
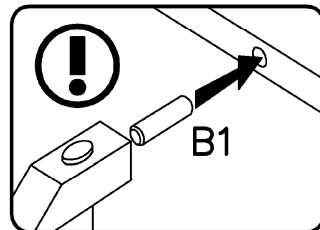
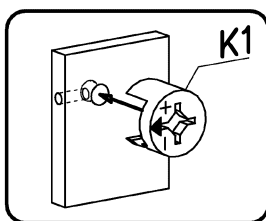
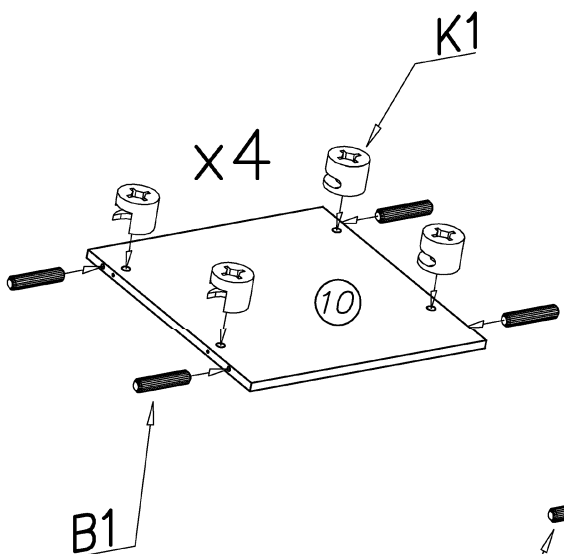
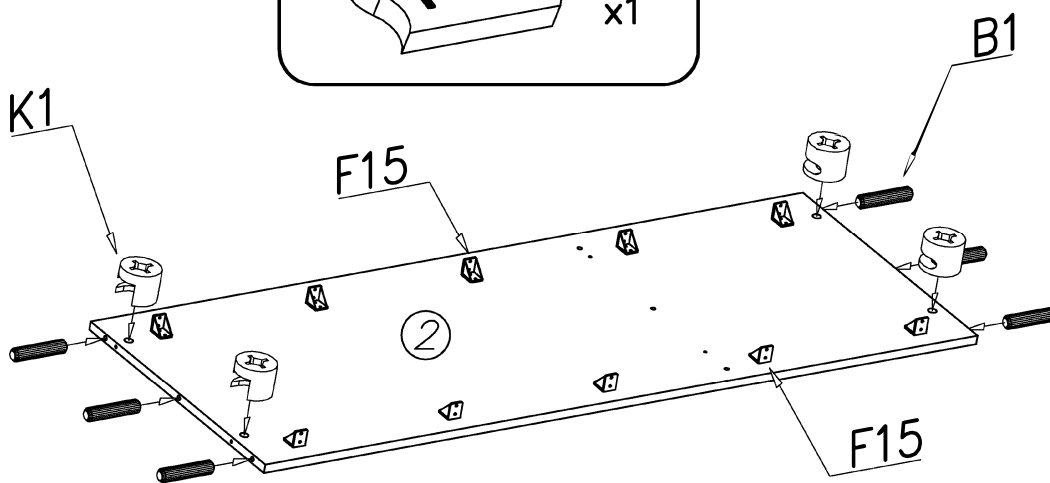
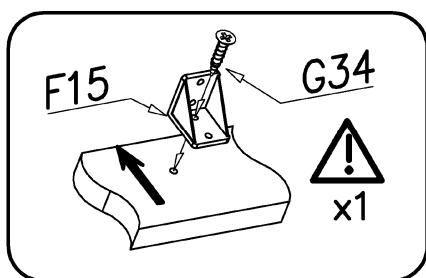
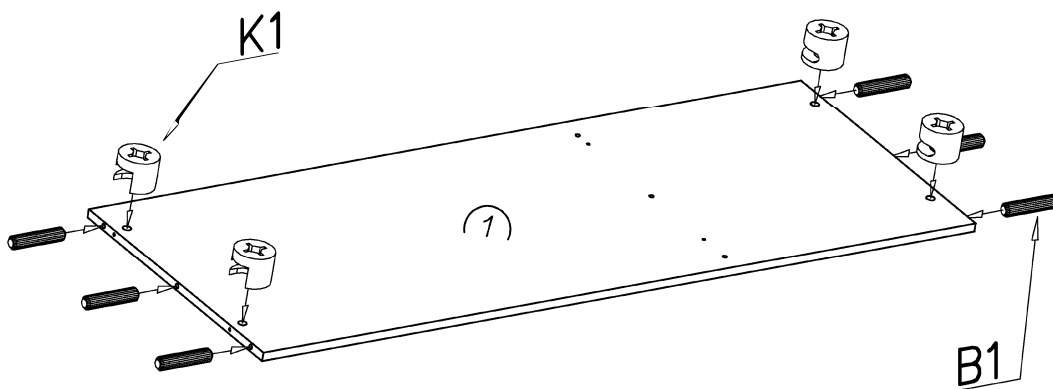




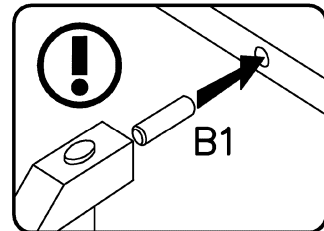
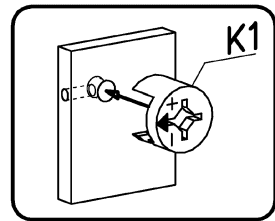
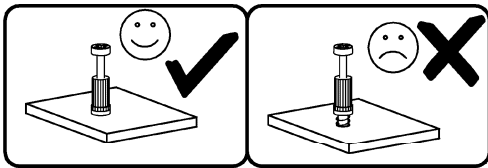
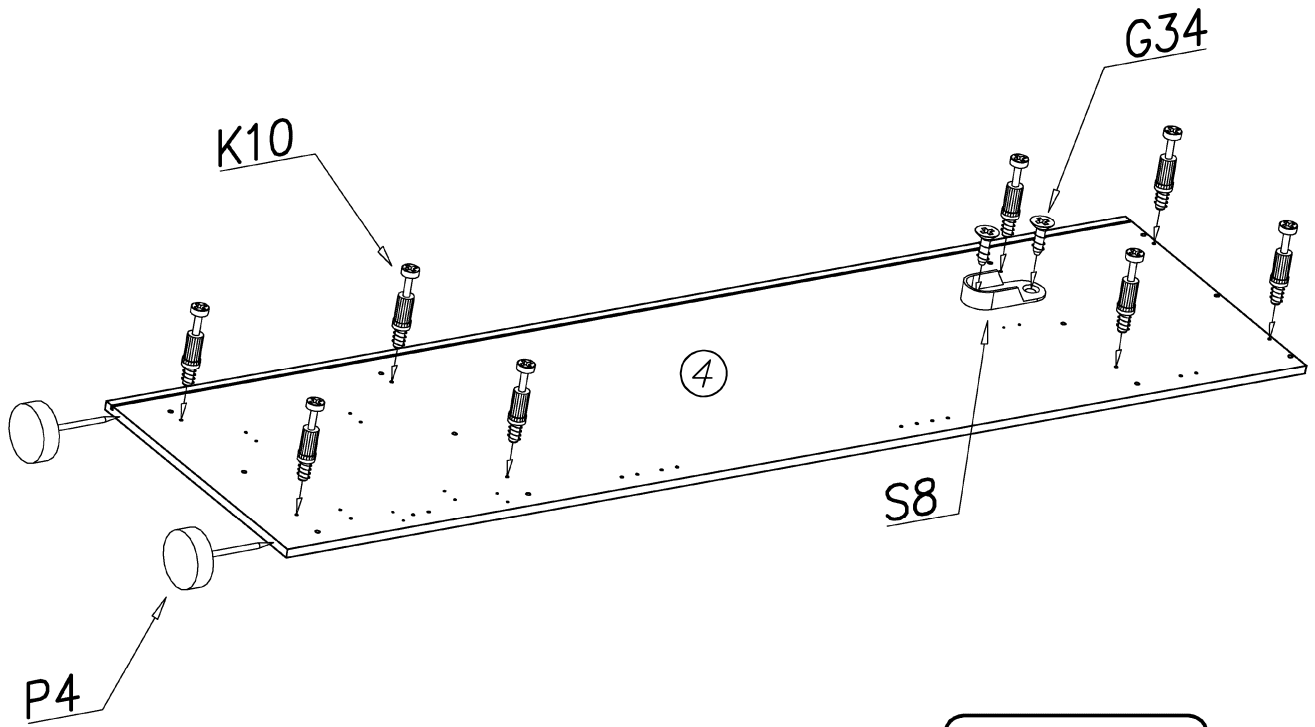
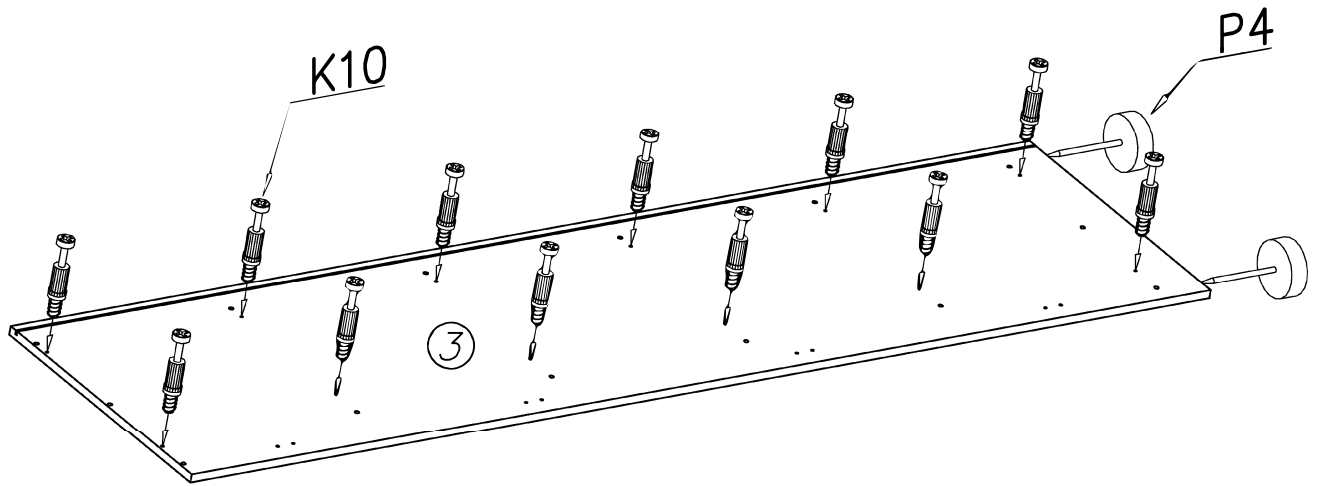
S5
960mm x...(1)

P4  x...(8)	G34  3,5x16 x...(64)	F15  x...(14)	I7  ø18 x...(32)	S8  x...(2)
K1  ø15x12 x...(32)	S1  1988mm x...(1)	I1  x...(10)	A1  ø7x50 x...(4)	G2  3x20 x...(100)
K10  x...(32)	B1  ø8x35 x...(46)	W2  x...(1)	M11  x...(2)	S2  x...(18)

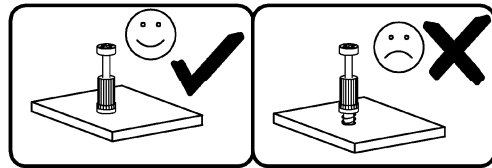
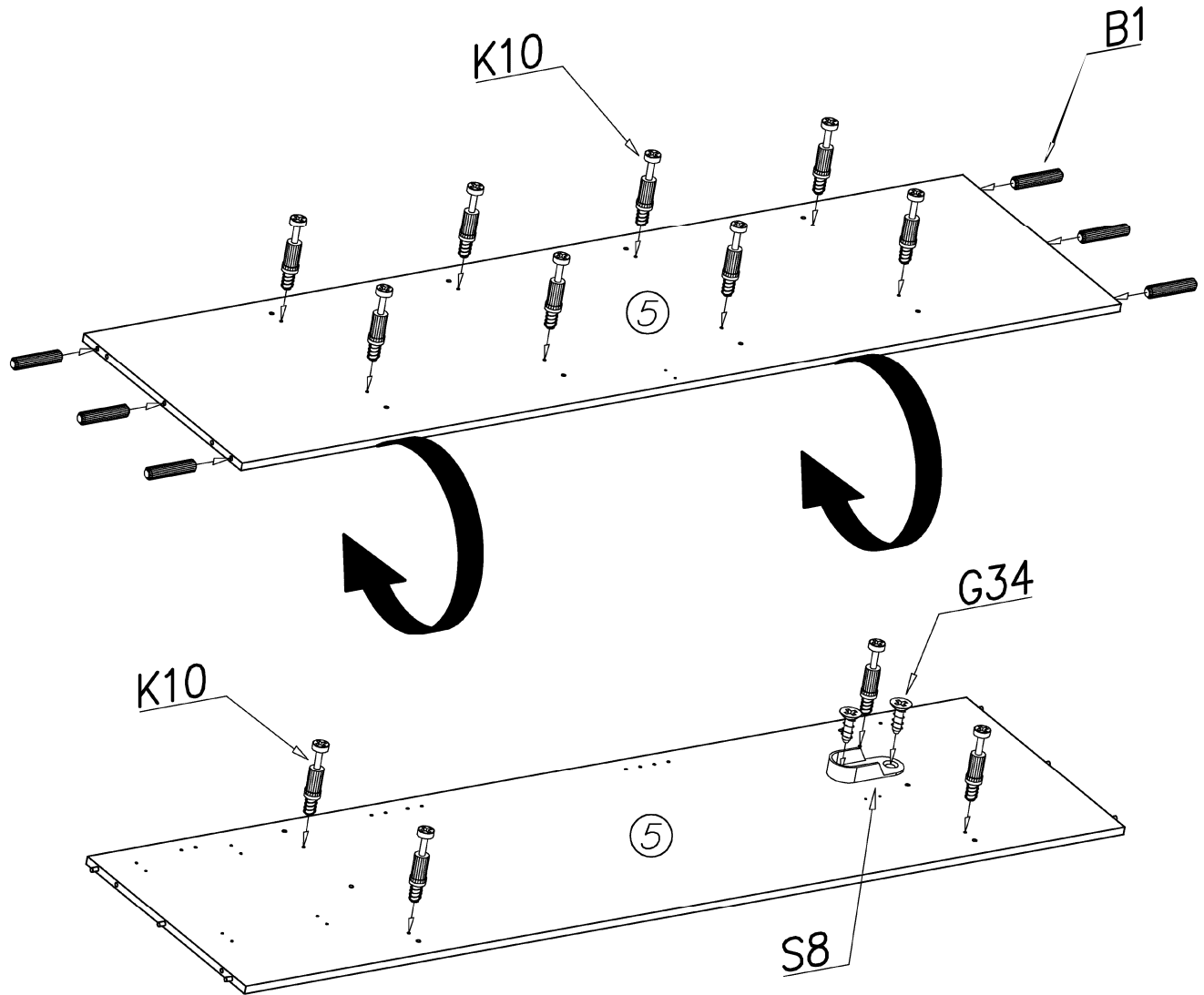
I



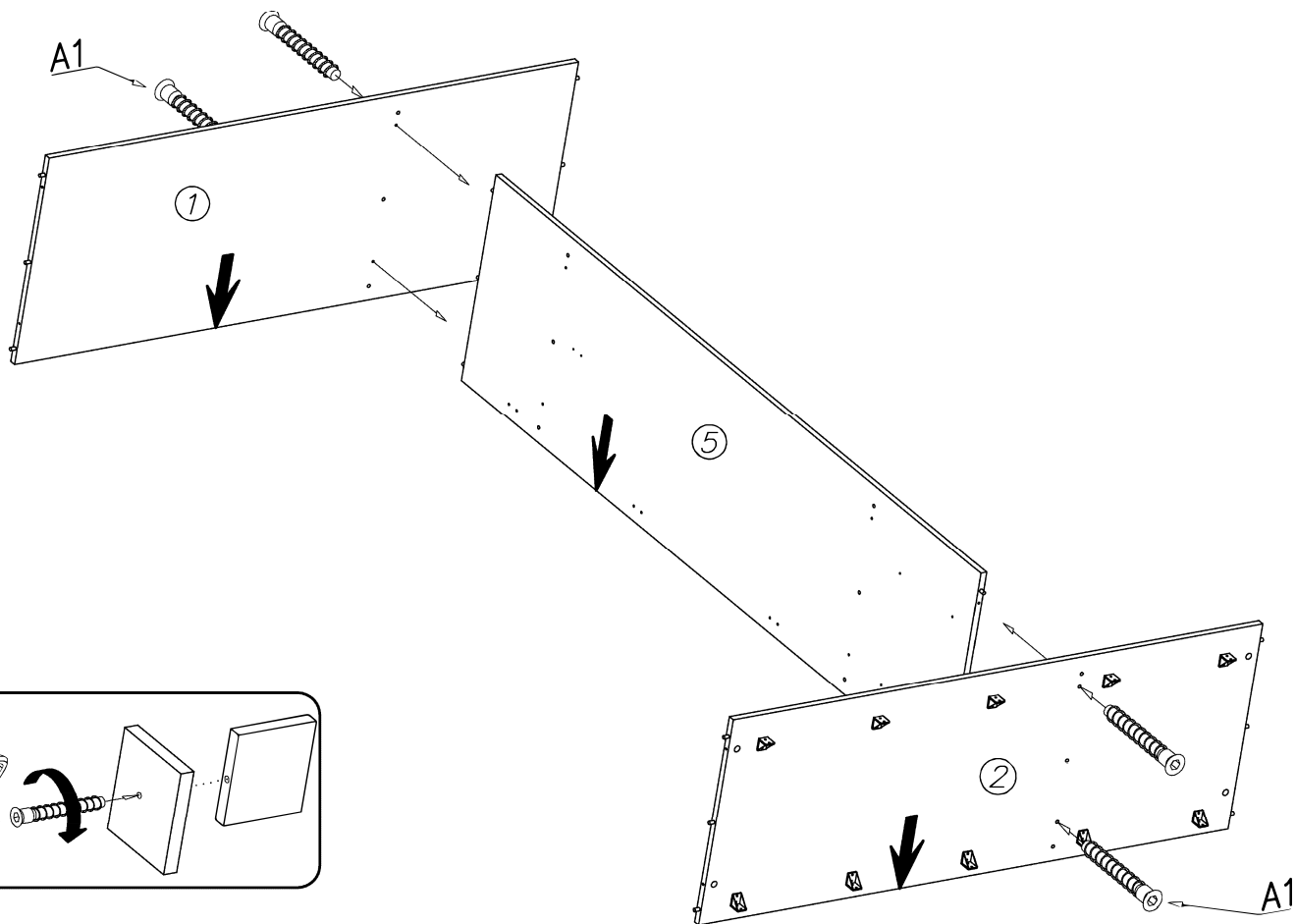
II



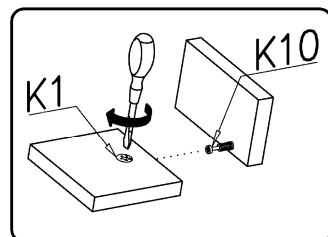
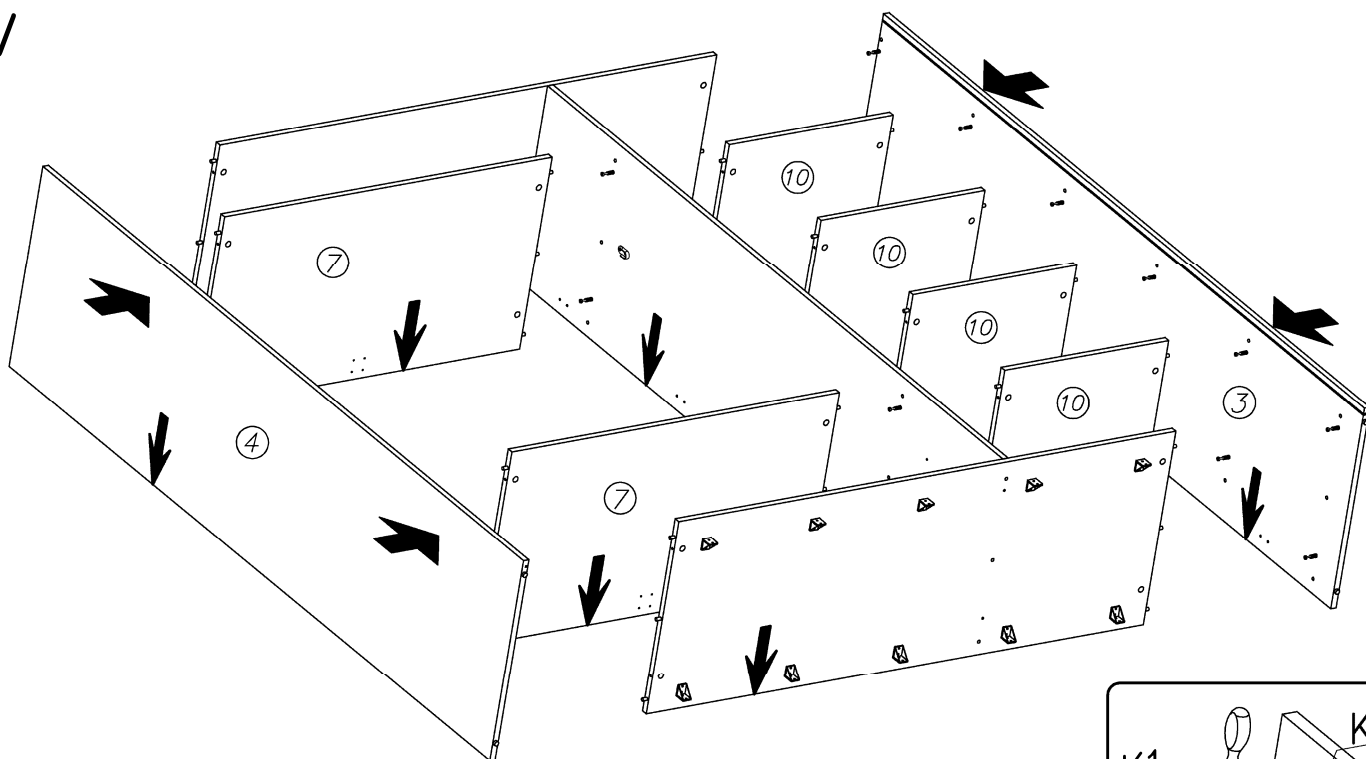
III



IV



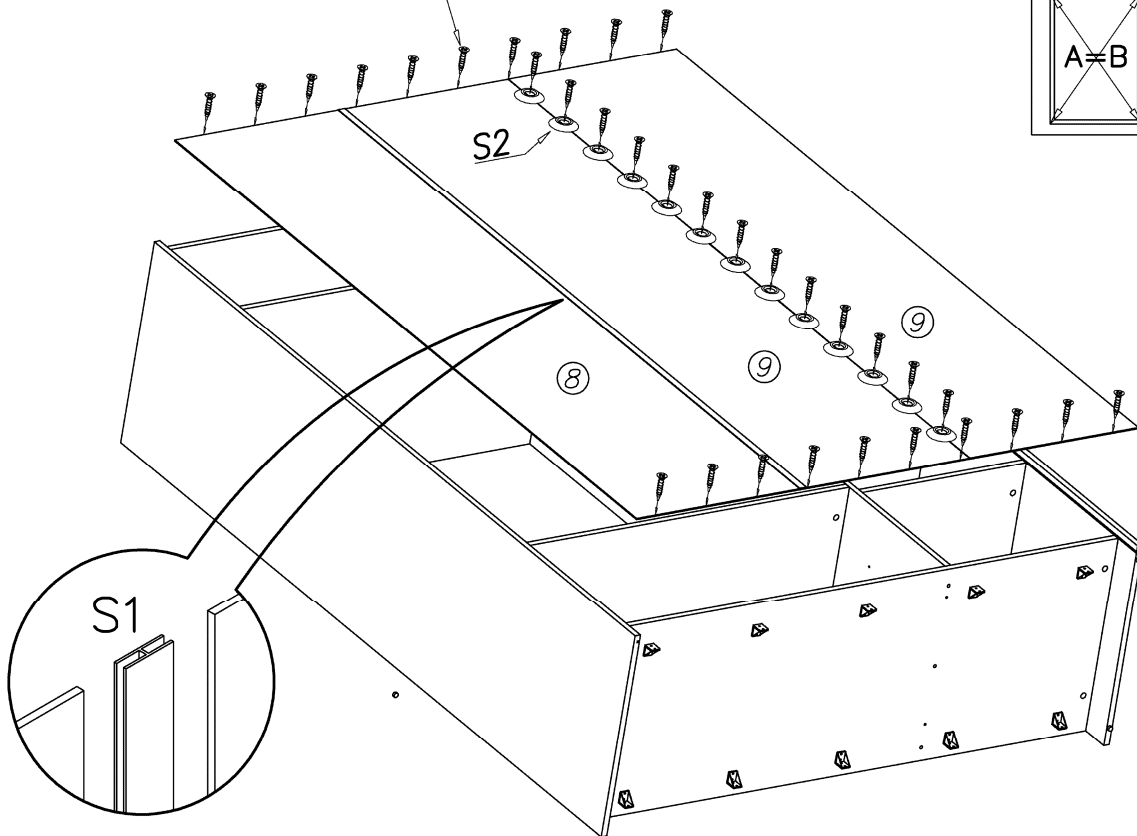
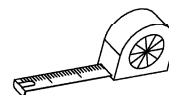
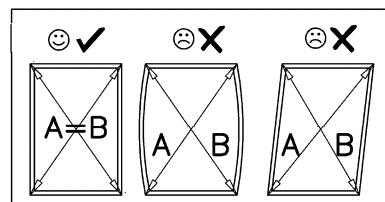
V



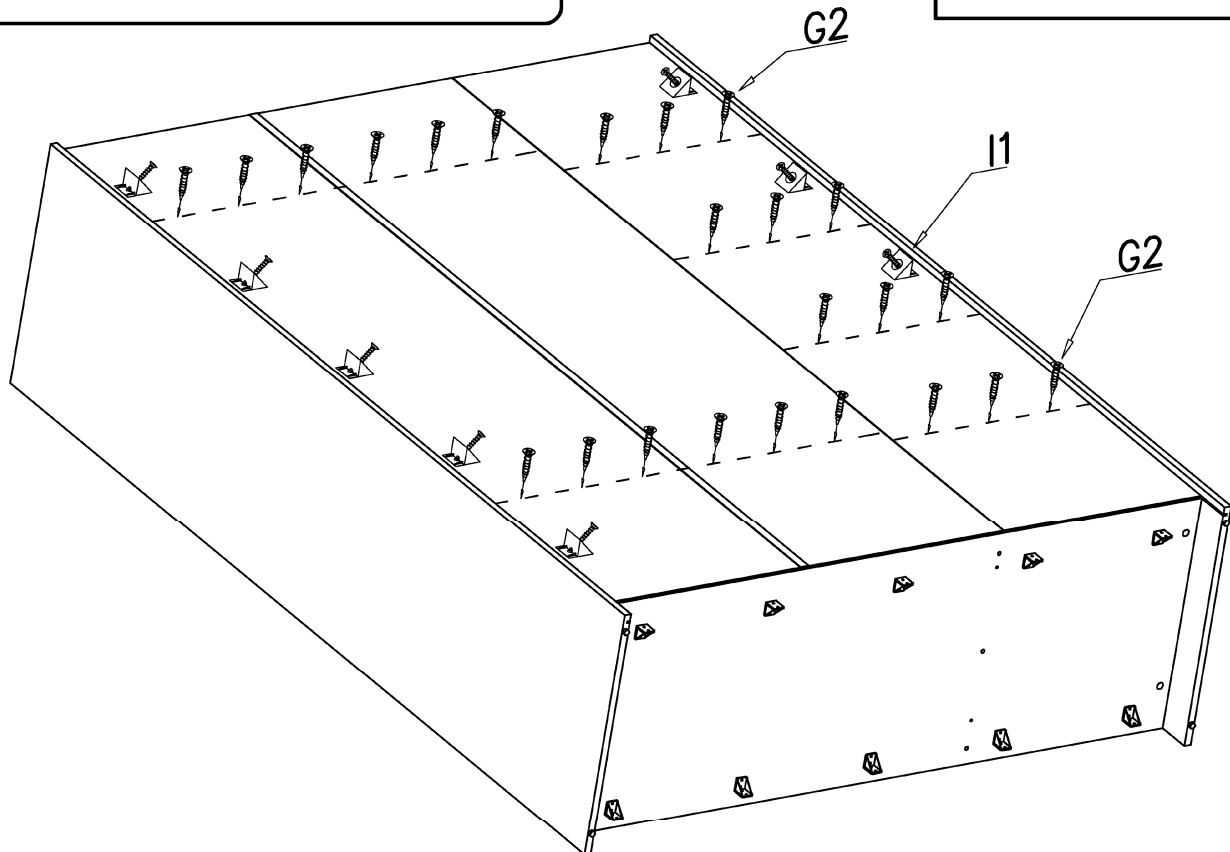
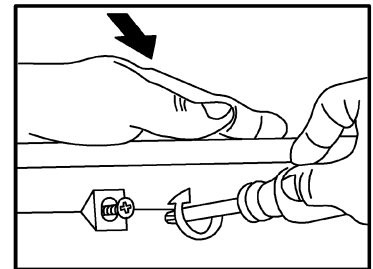
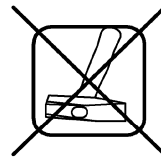
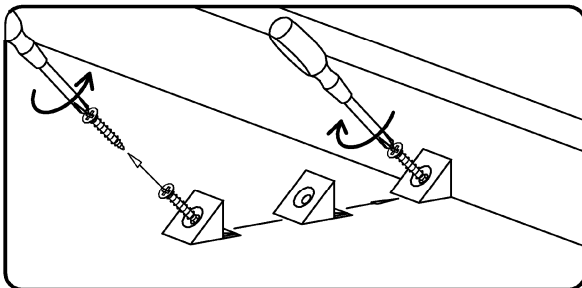
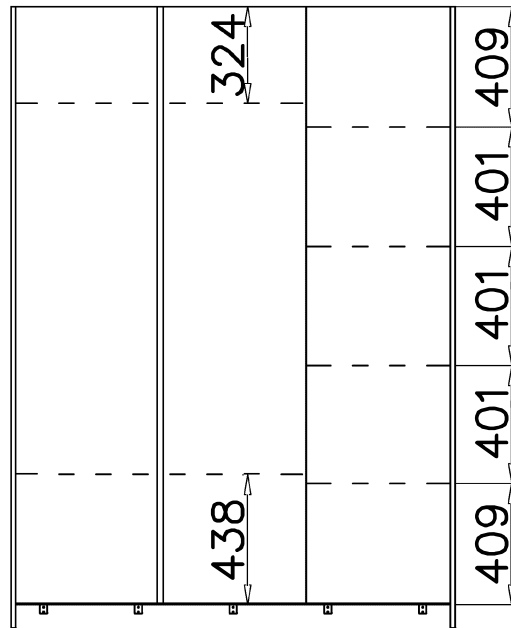
VI

G2

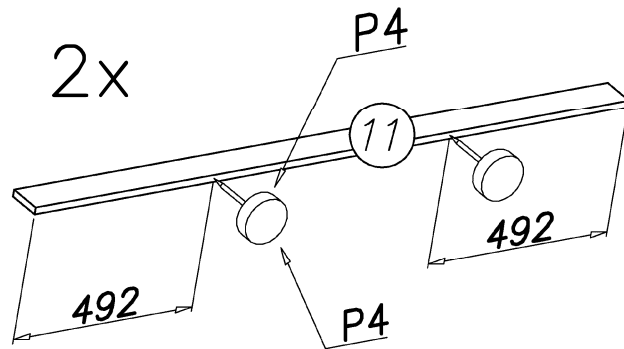
A=B



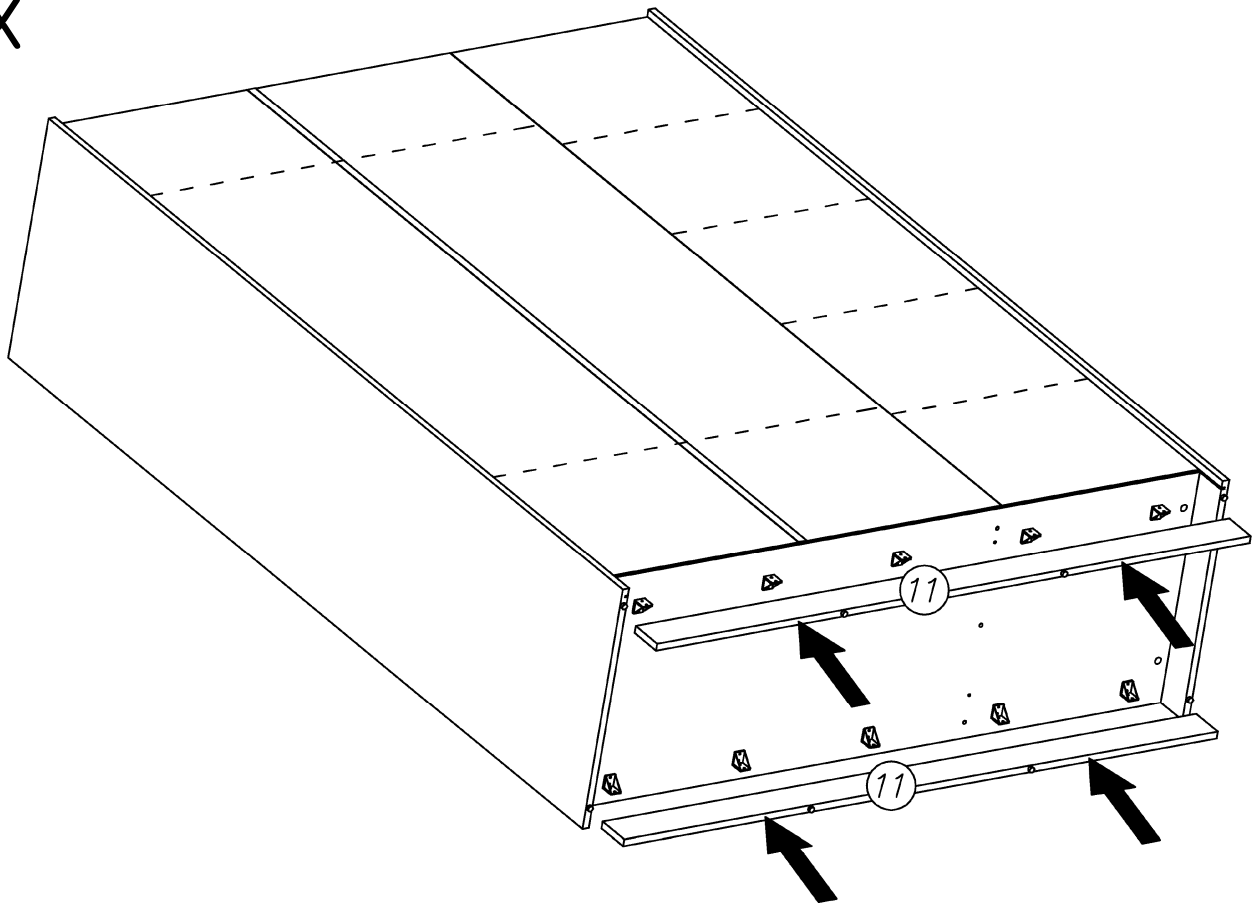
VII



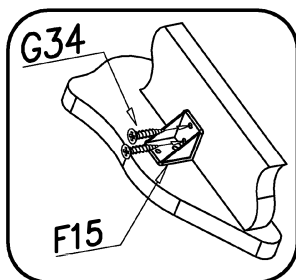
VIII



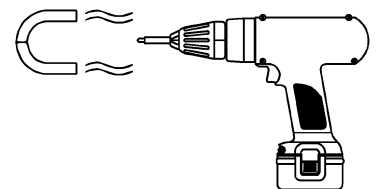
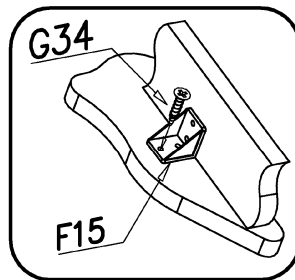
IX



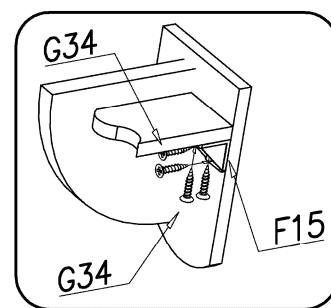
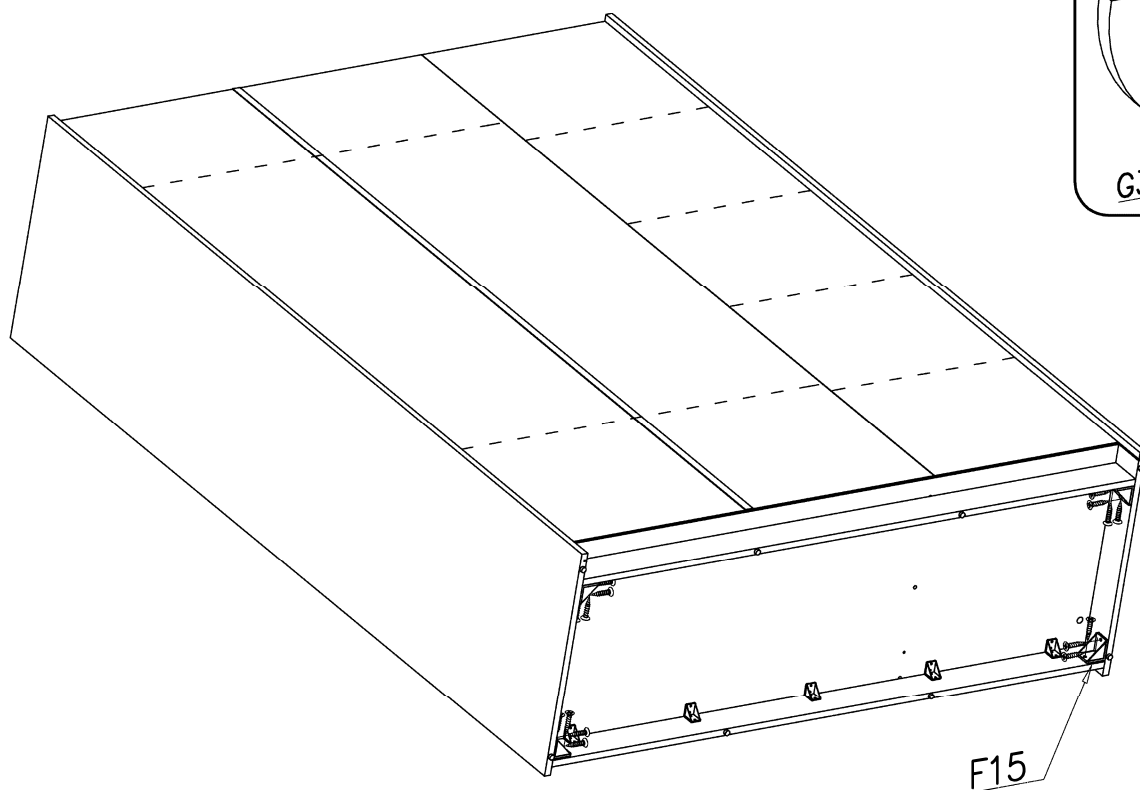
1.

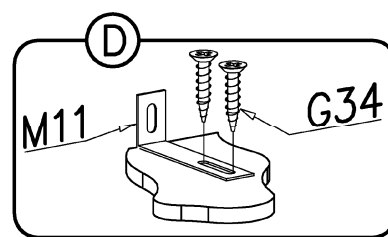
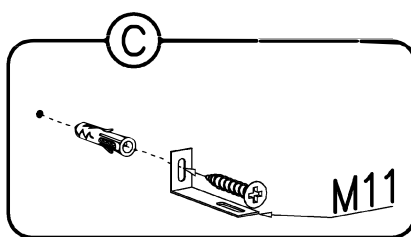
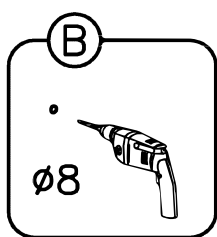
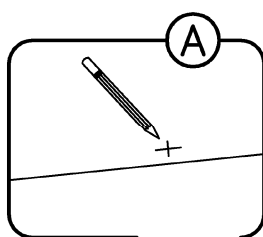


2.

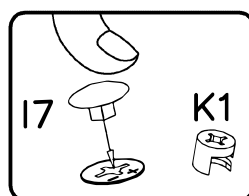
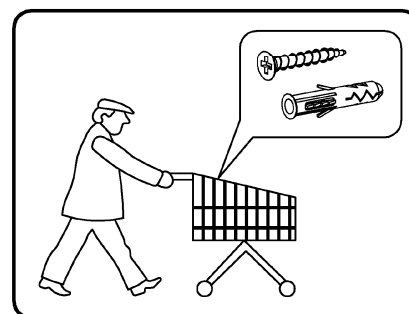
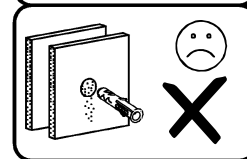
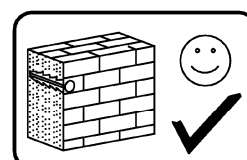
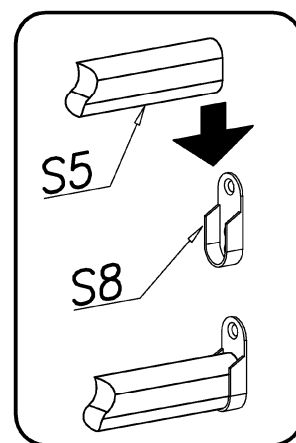
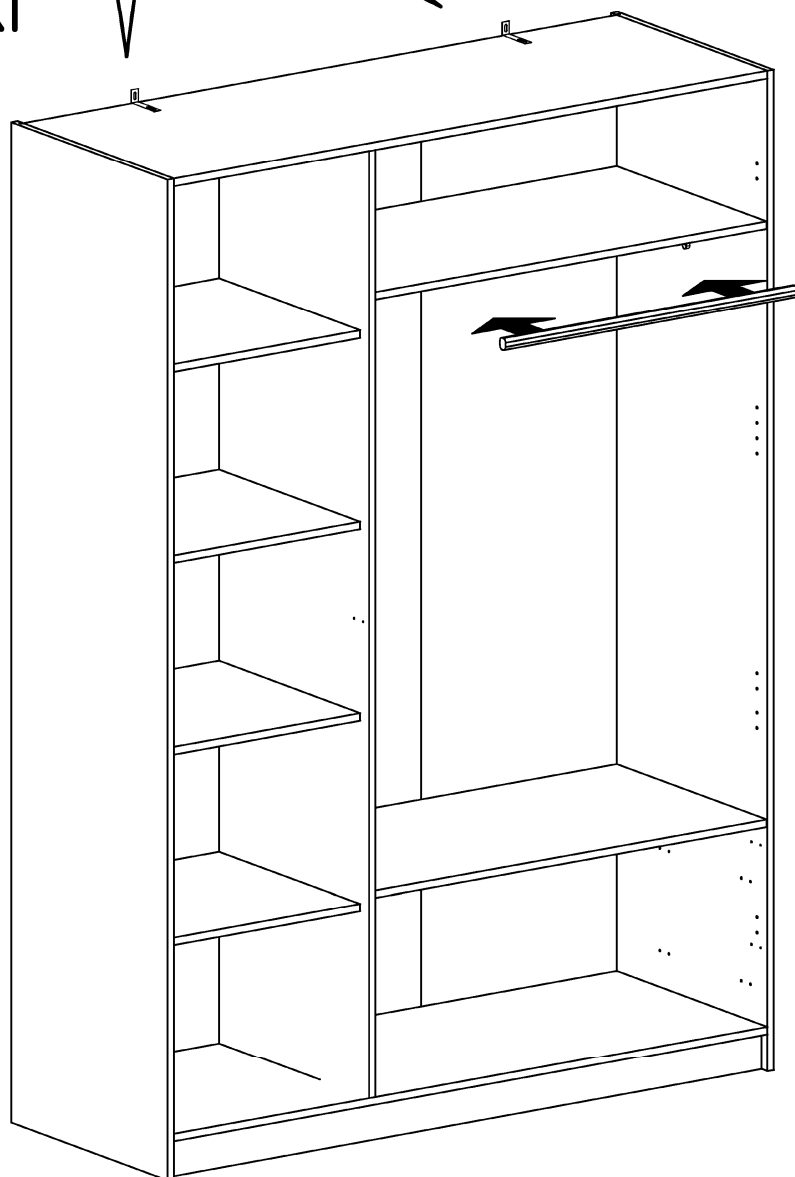


X



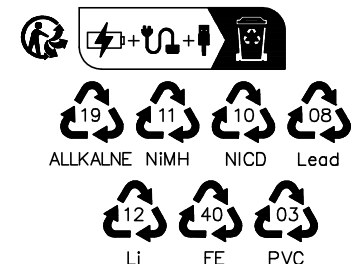
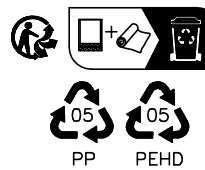
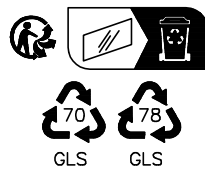
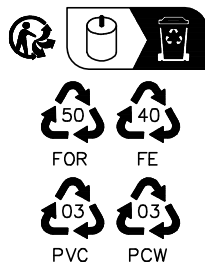
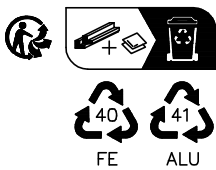
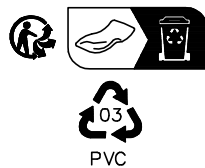
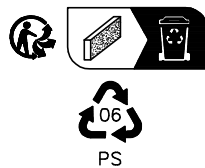
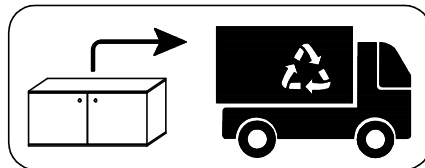
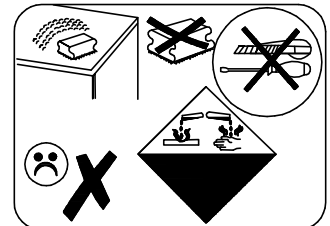
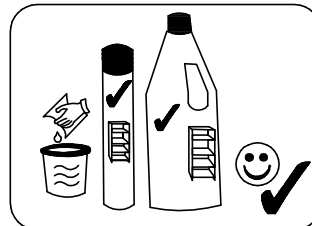
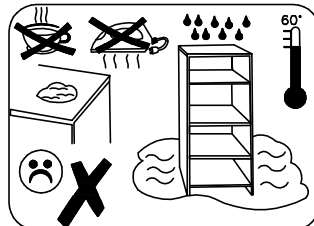
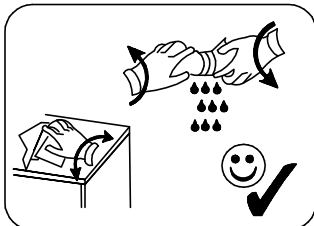
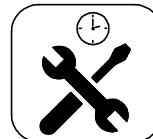
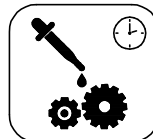
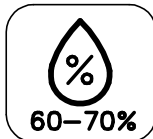
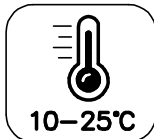
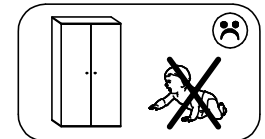
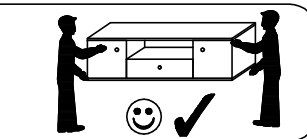
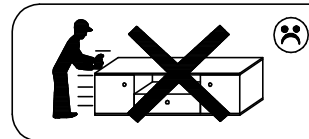
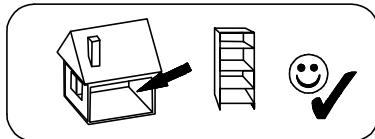
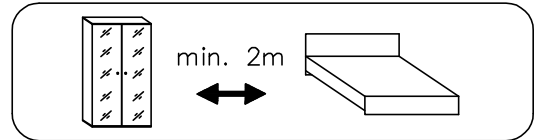
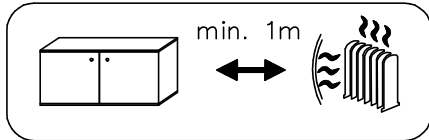
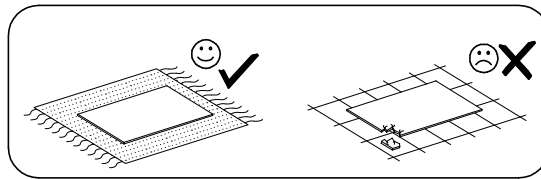
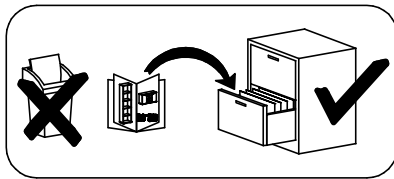


XI

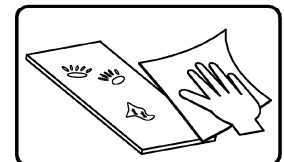
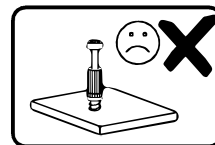
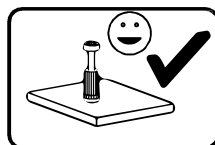
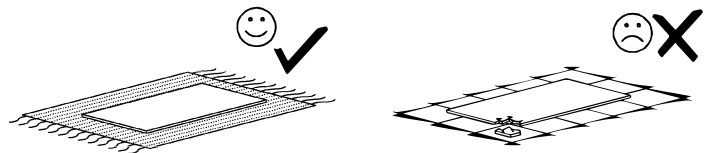
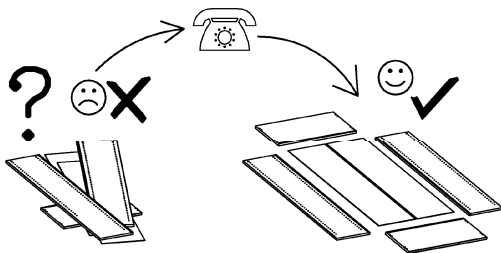
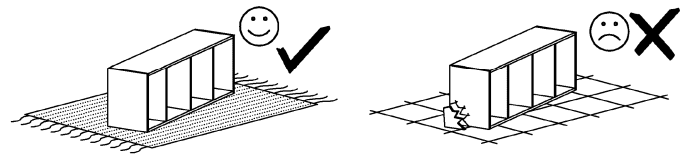
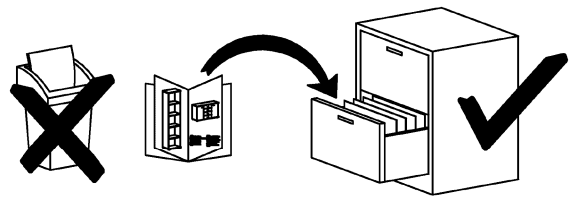
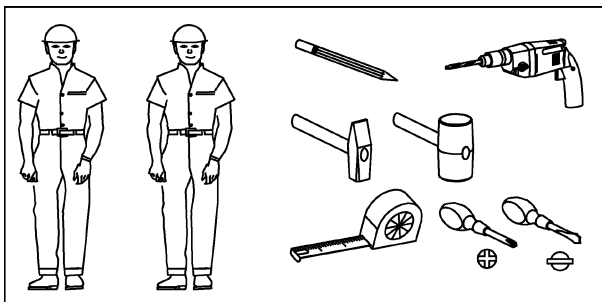
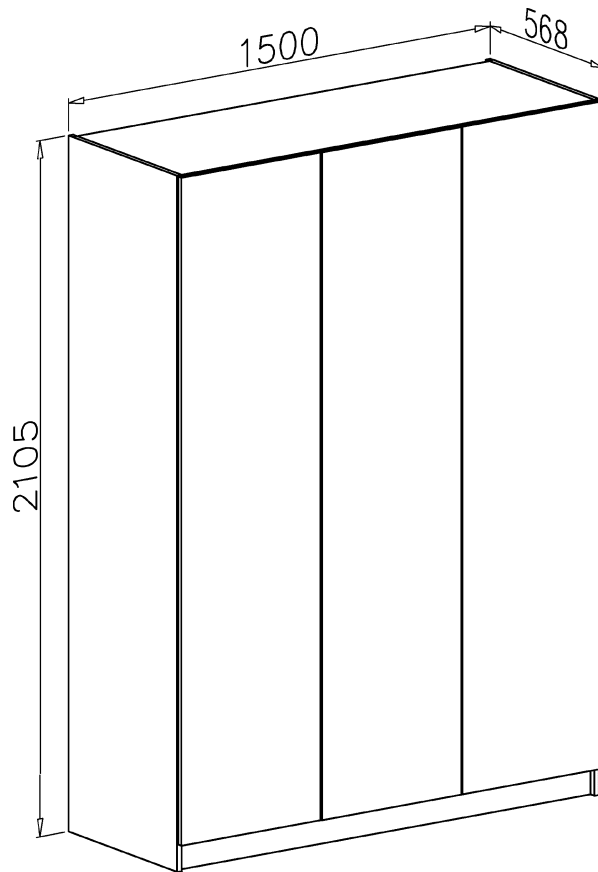


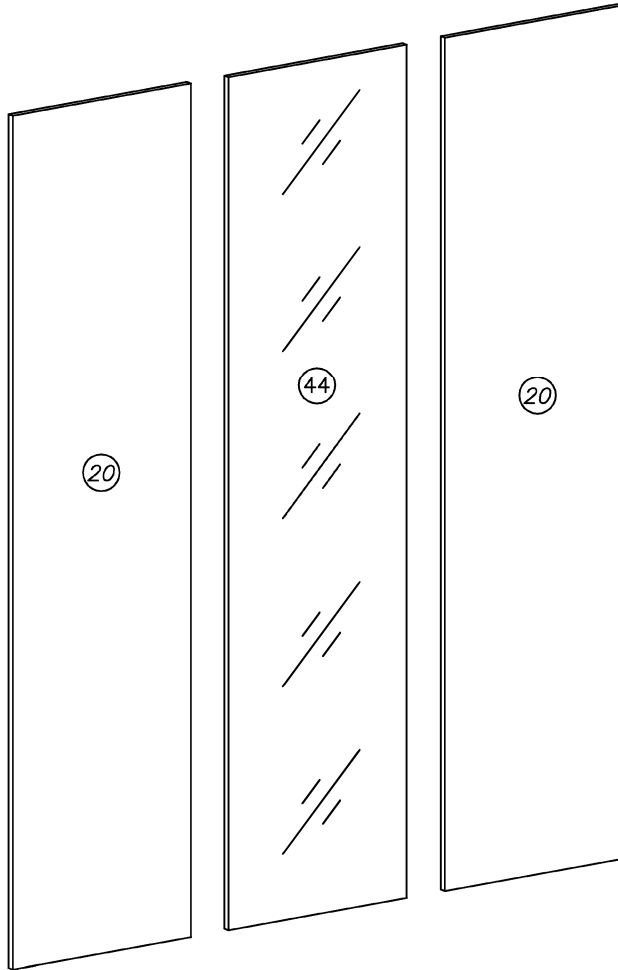
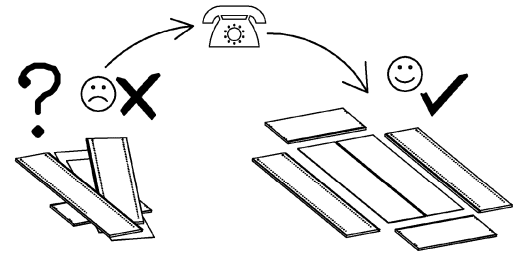
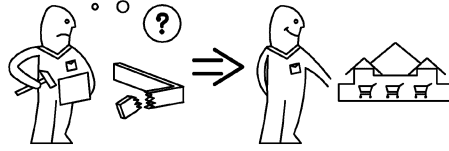
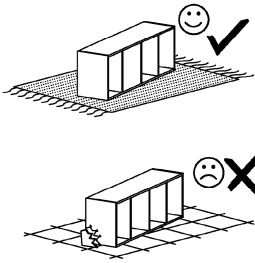


Uwaga • Upozornění • Achtung • Attention • Caution • Figyelem
 Attenzione • Opgelet • Внимание • Atenție • Upozornenie • Dikkat

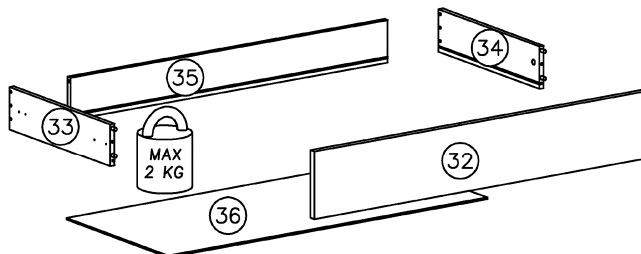


szafa 3D lustro push

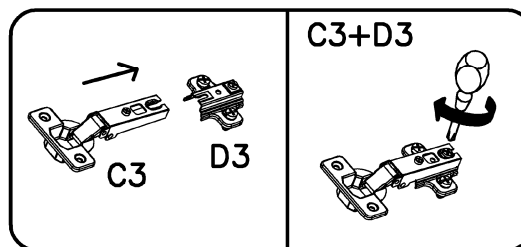
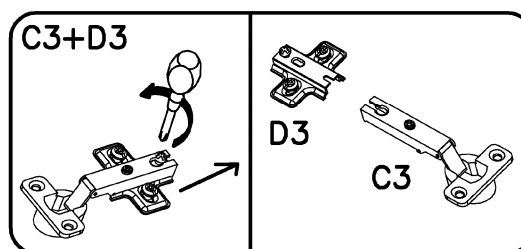
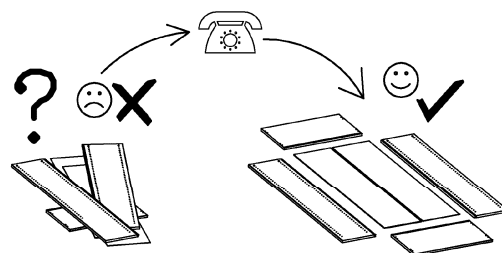
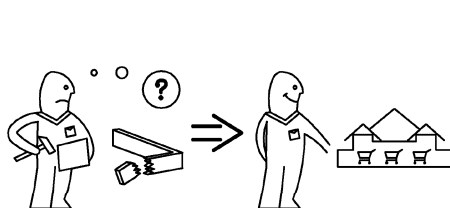
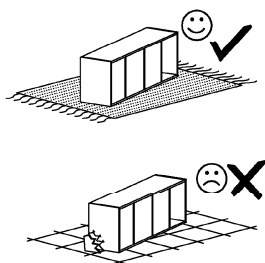


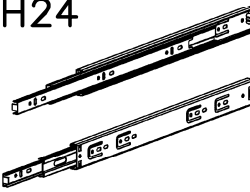
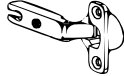


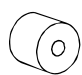
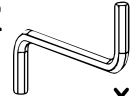

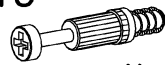

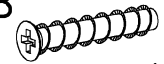







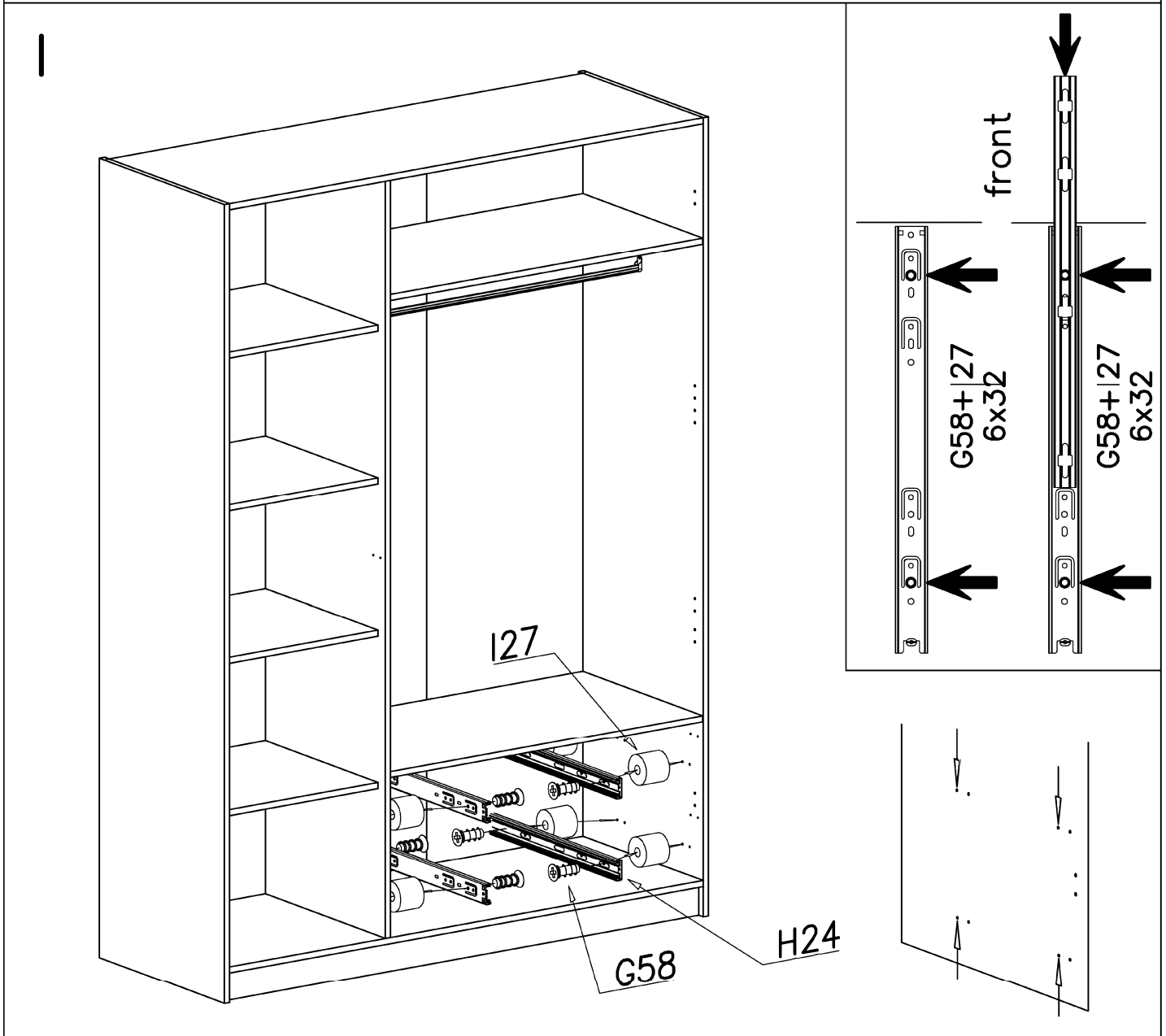
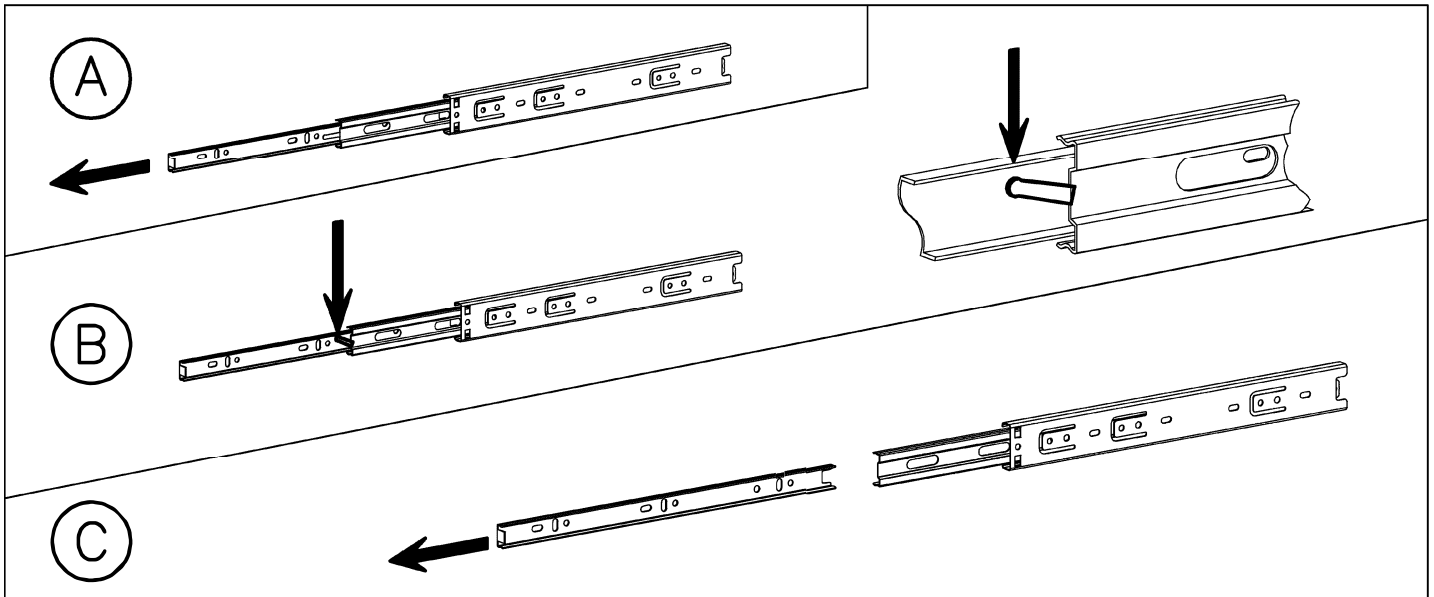
nr	L[mm]	B[mm]	T[mm]	Menge
20	2014	495	16	2
32	932	160	16	2
33	400	100	12	2
34	400	100	12	2
35	882	100	12	2
36	892	401	3	2
44	2014	495	20	1



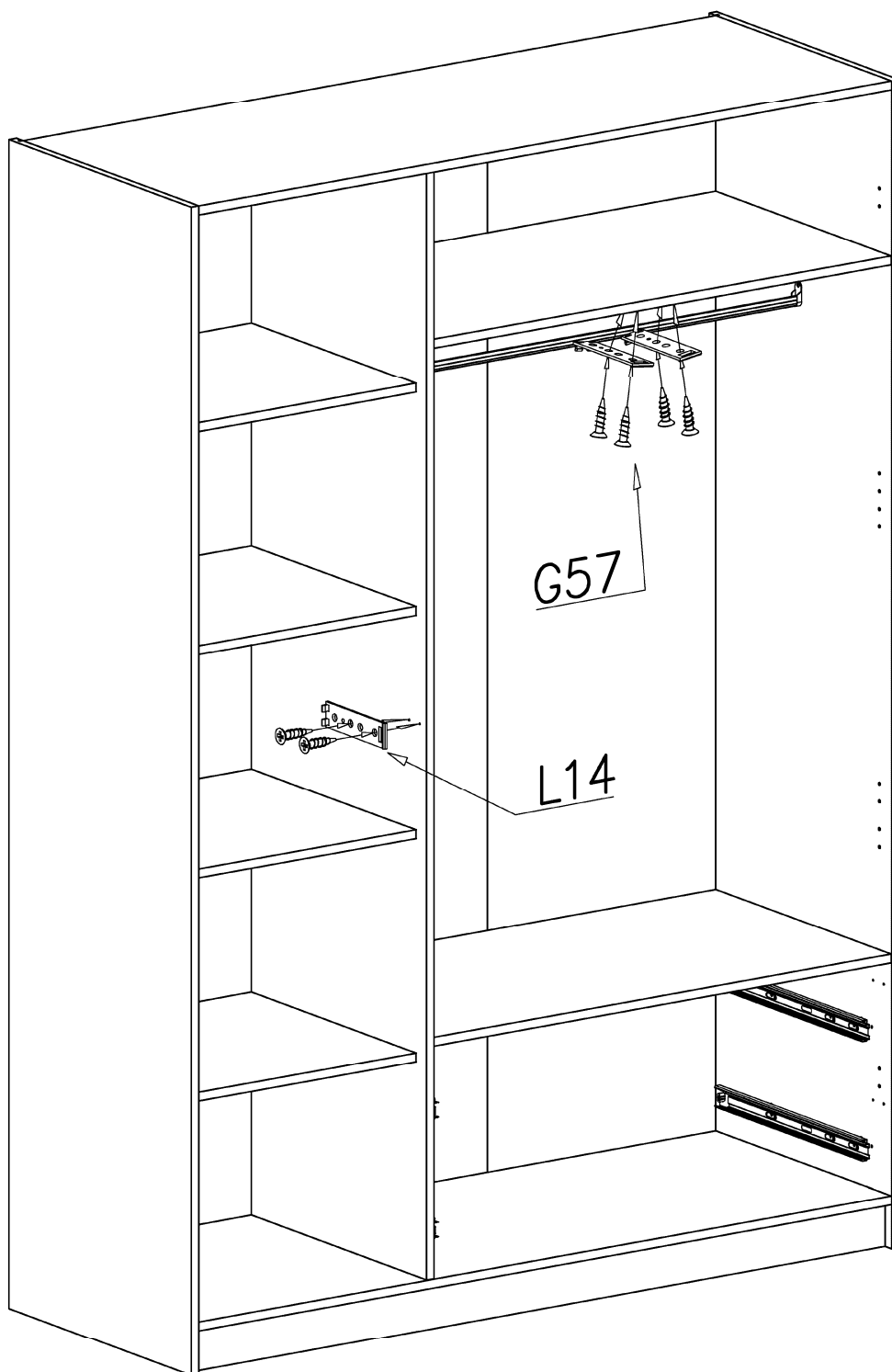
szafa 3D lustro push



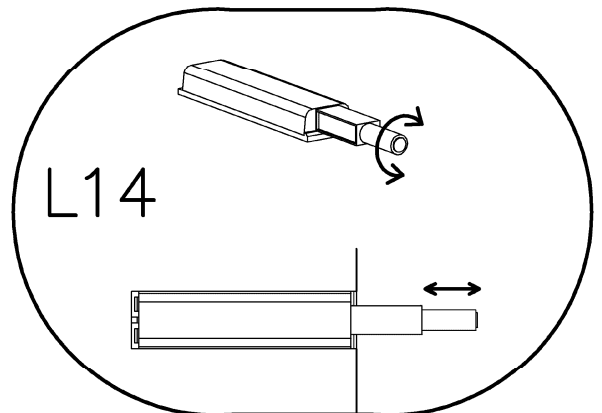
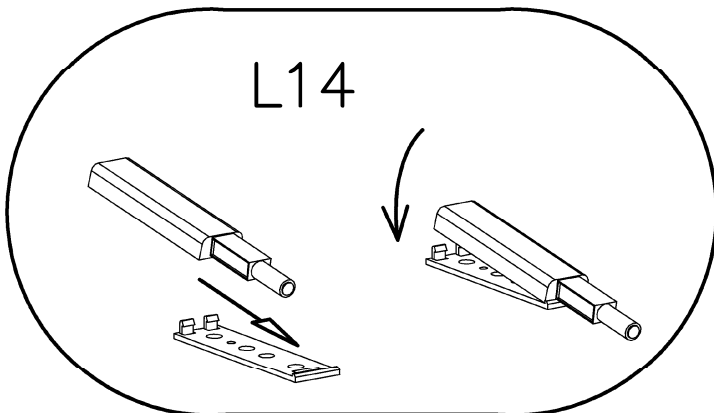
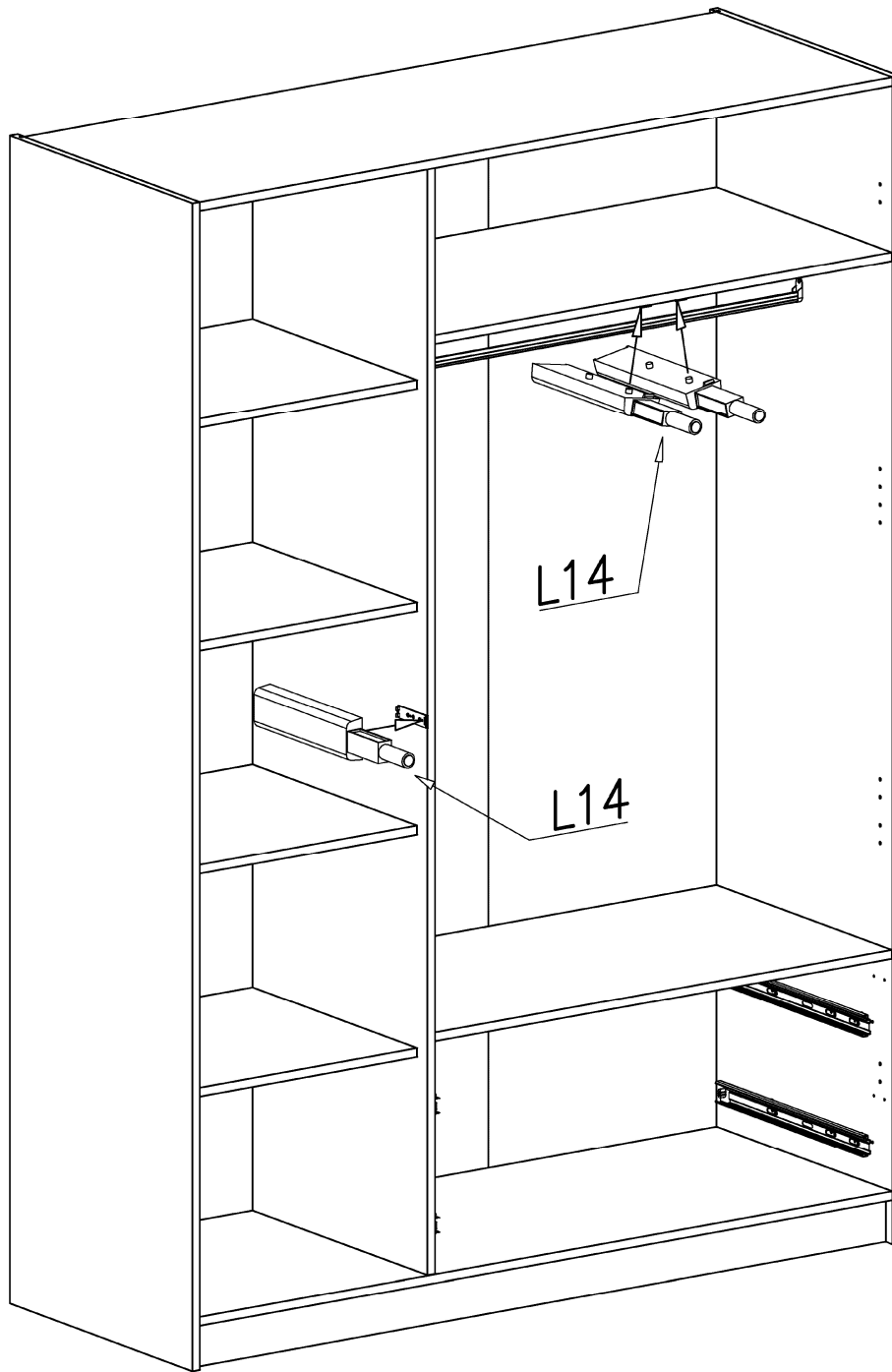
H24  H35-400mm x...(2)	C3  Z35PR x...(12) D3  H=2 PZ35PR x...(12)	G34  3,5x16 x...(28) I27  18mm x...(8)	W2  x...(1)	K4  Ø12x10 x...(4)
K10  x...(4)	W1  x...(1)	G58  6x32 x...(8)	G57  3,5x14 x...(8)	L14  x...(4)
		M8  400mm x...(2)	G20  5x11 x...(8)	A6  Ø7x40 x...(8)



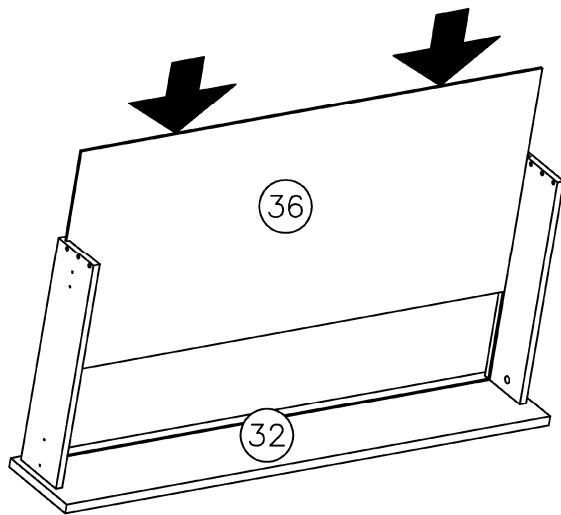
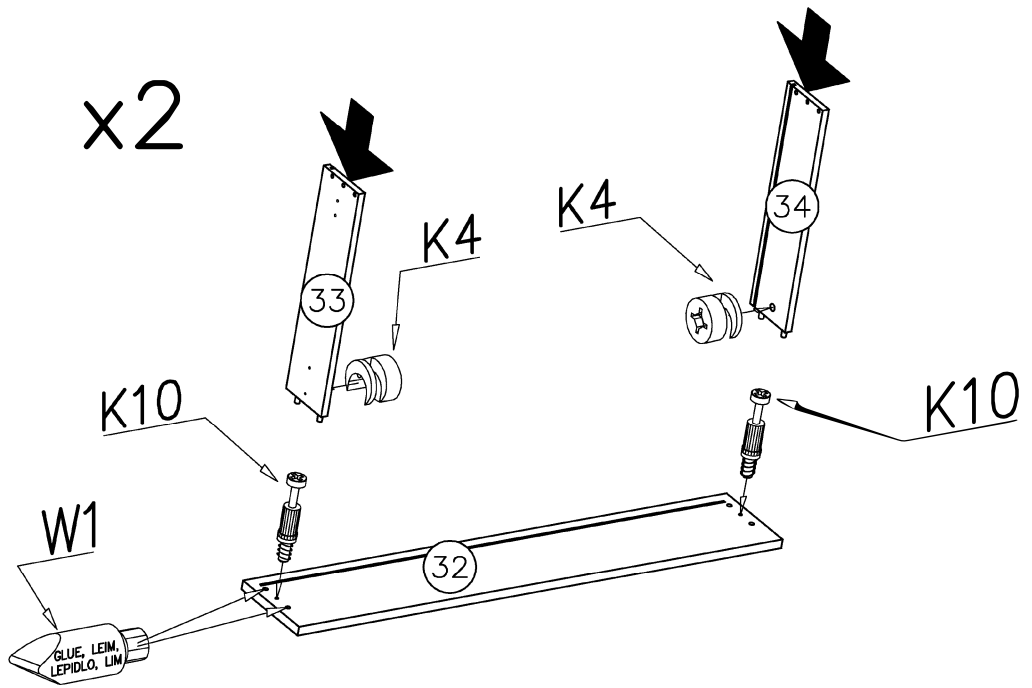
II



III

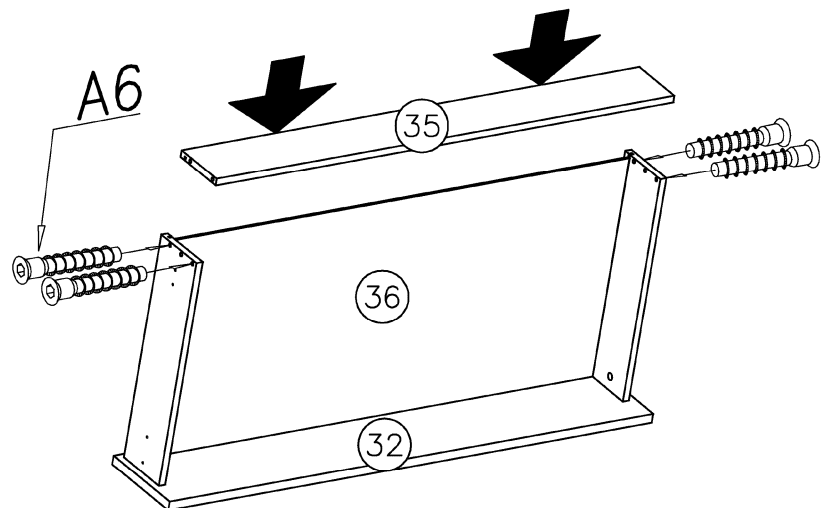


IV

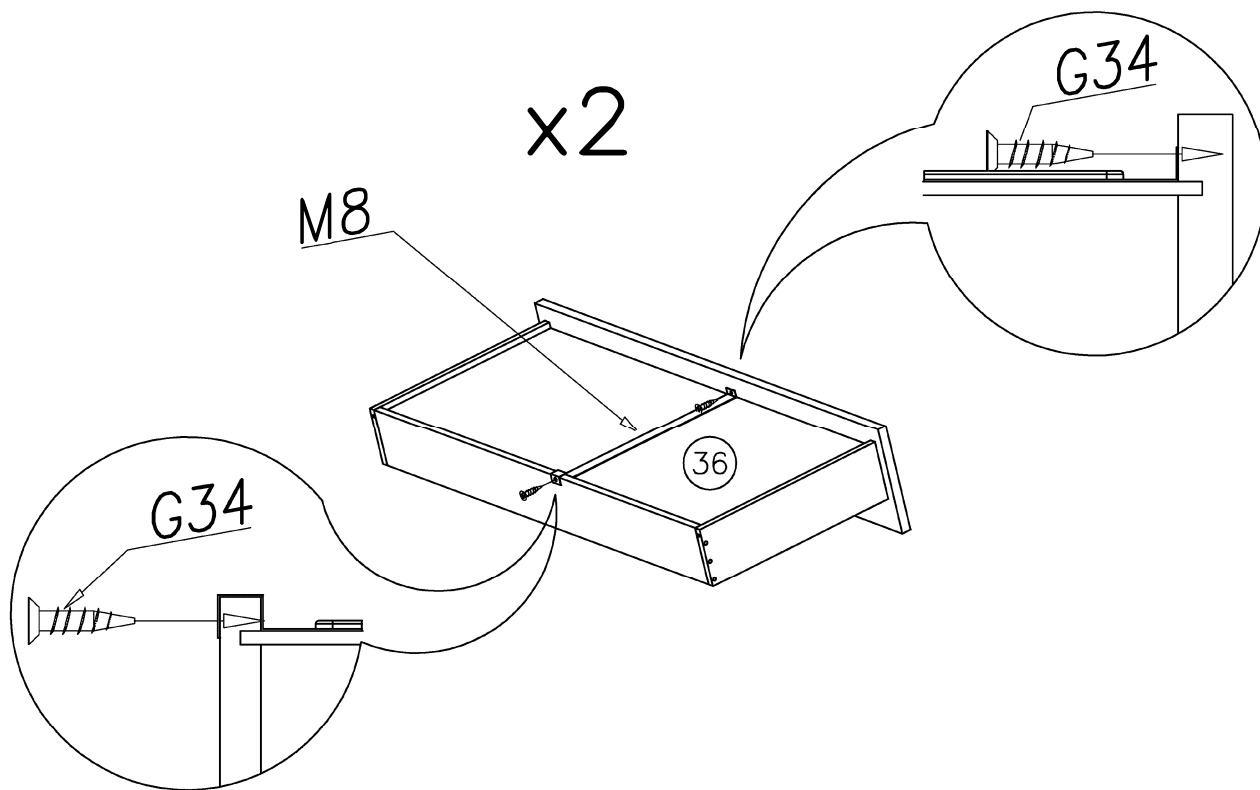


x2

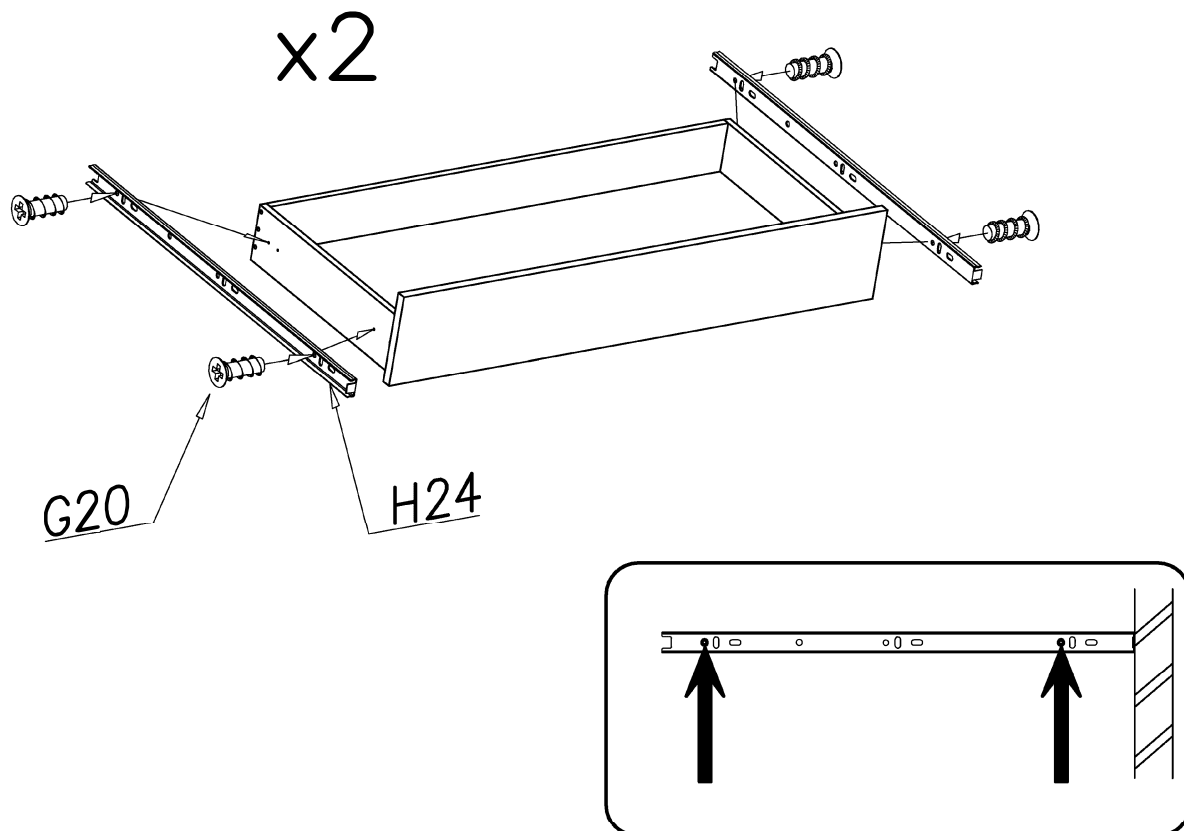
x2



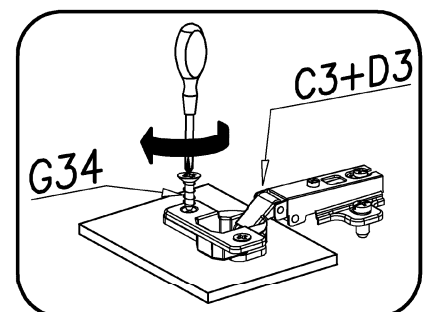
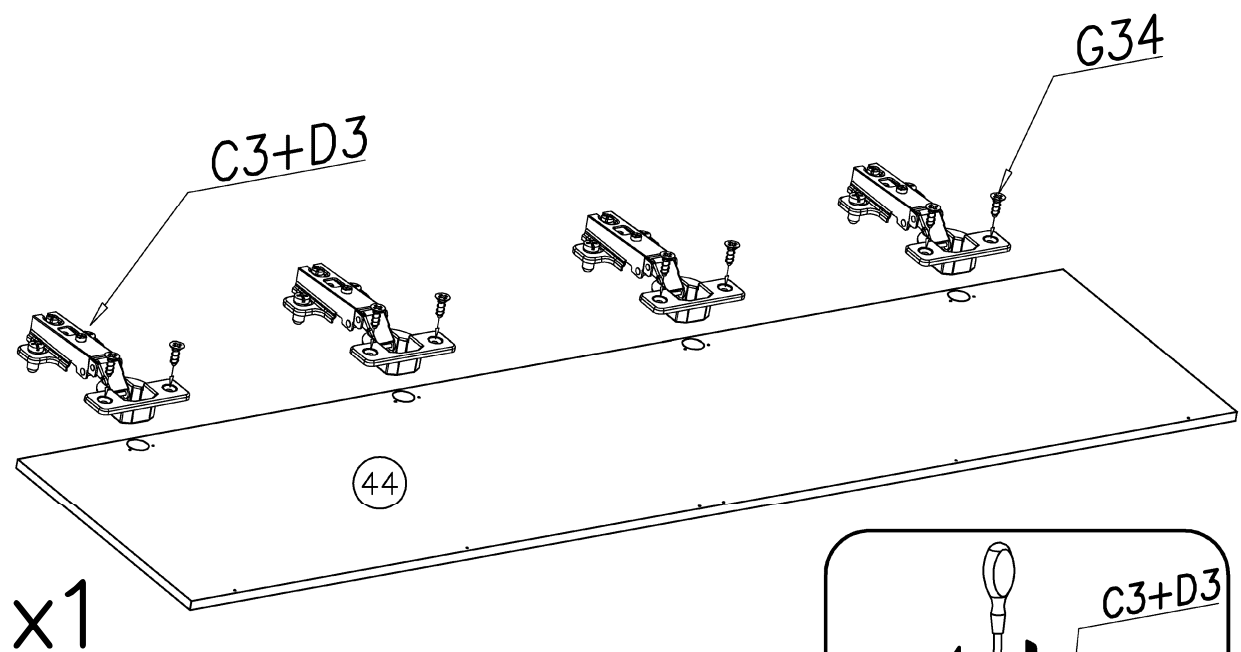
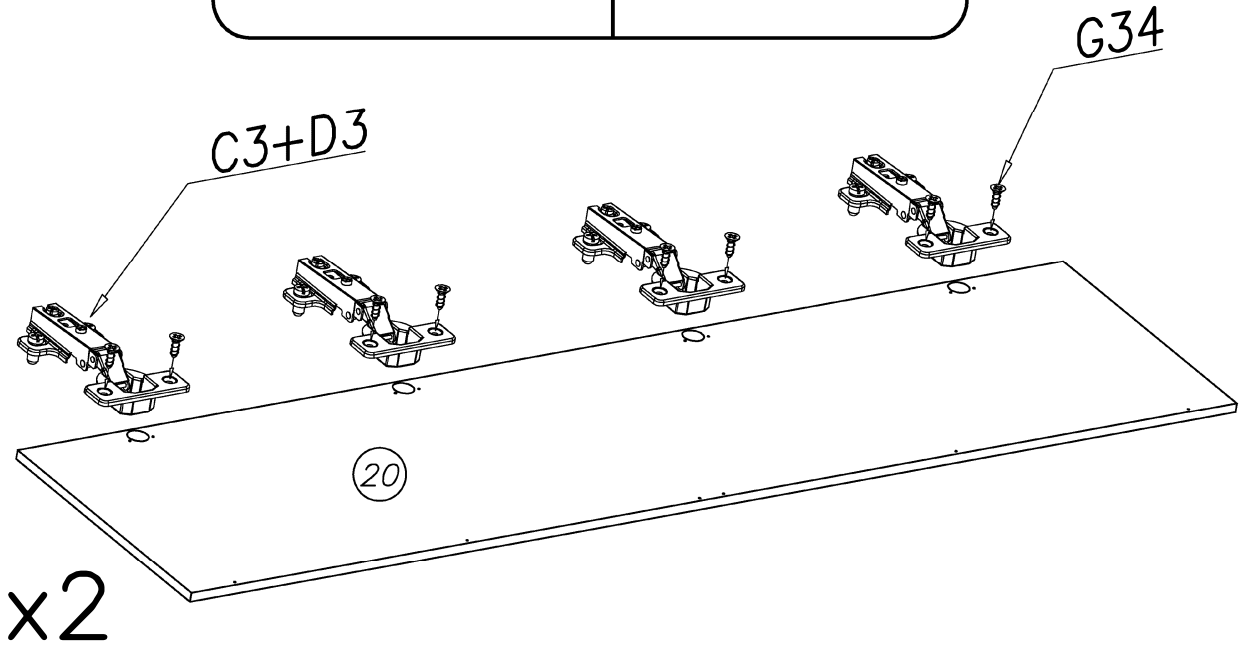
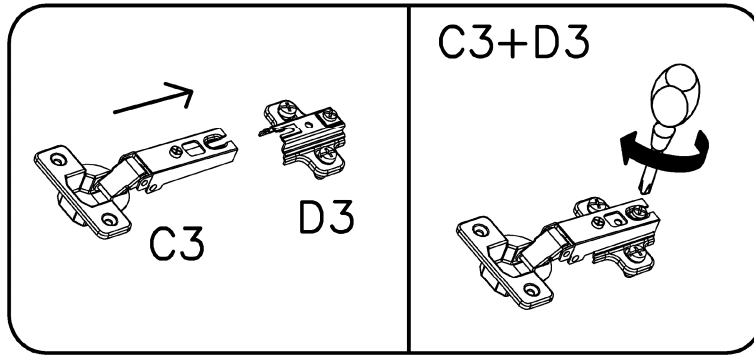
V



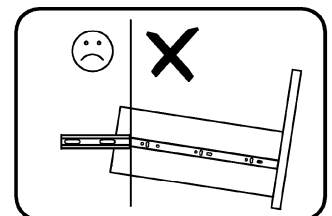
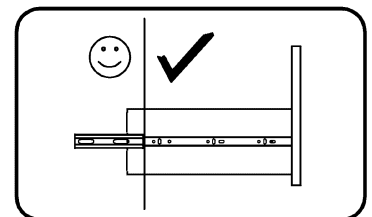
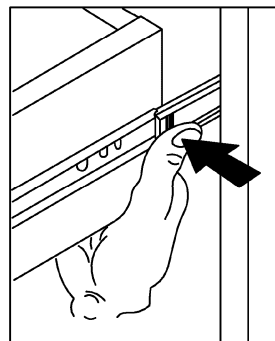
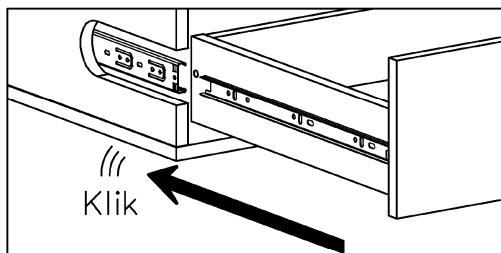
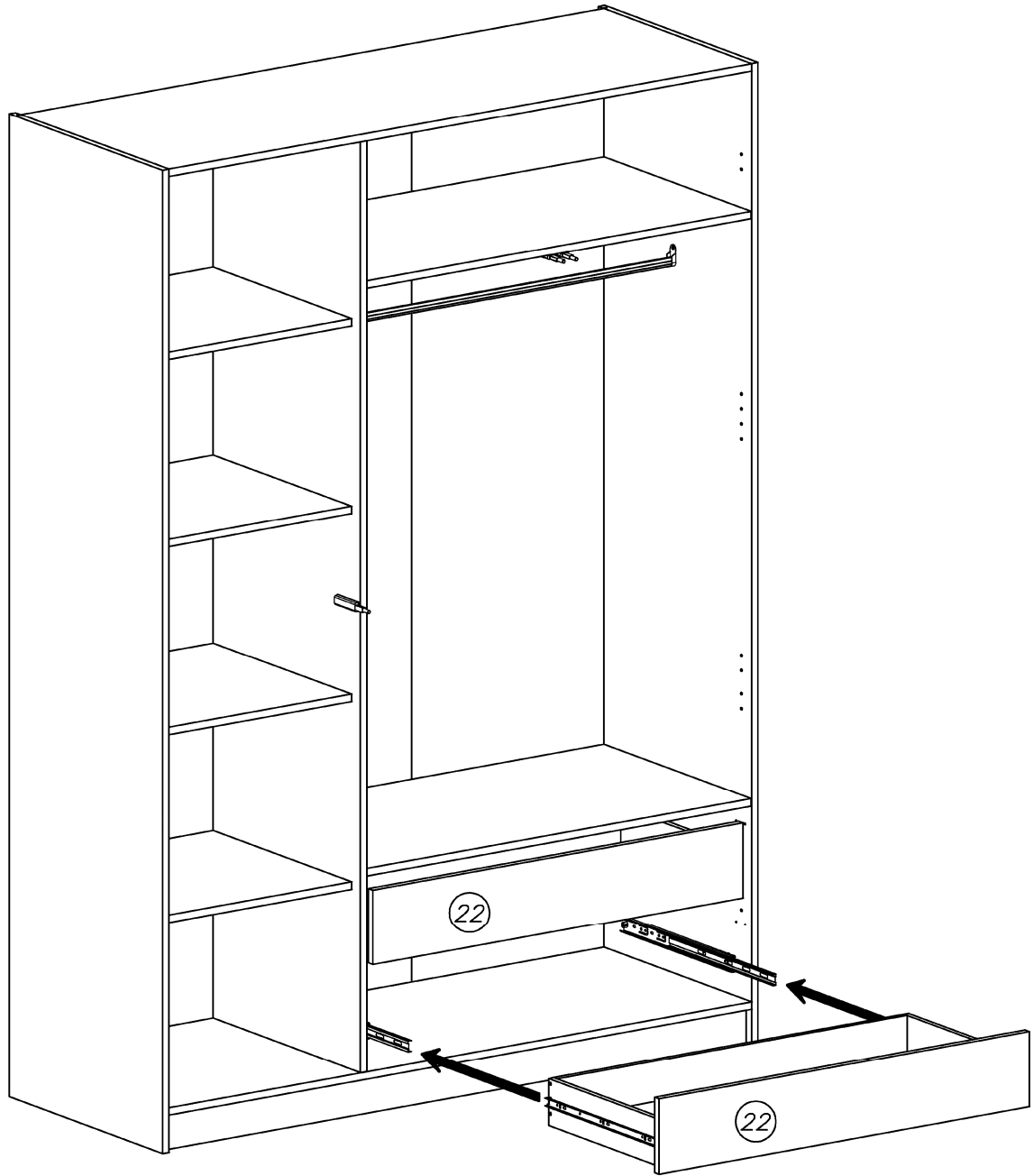
VI



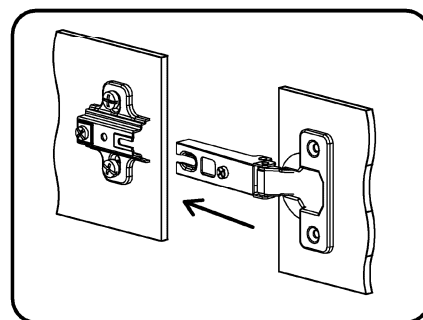
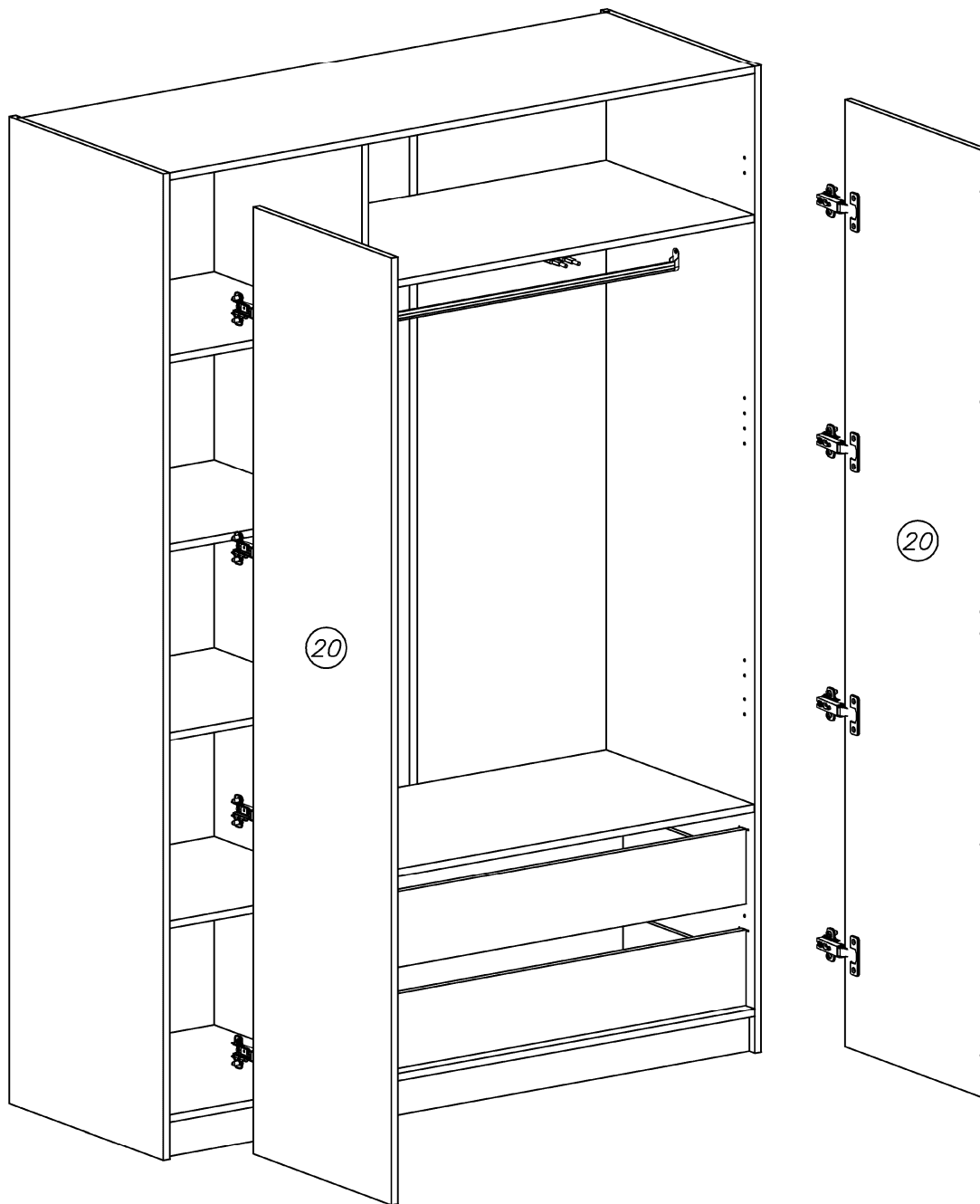
VII



VIII



IX



X

