


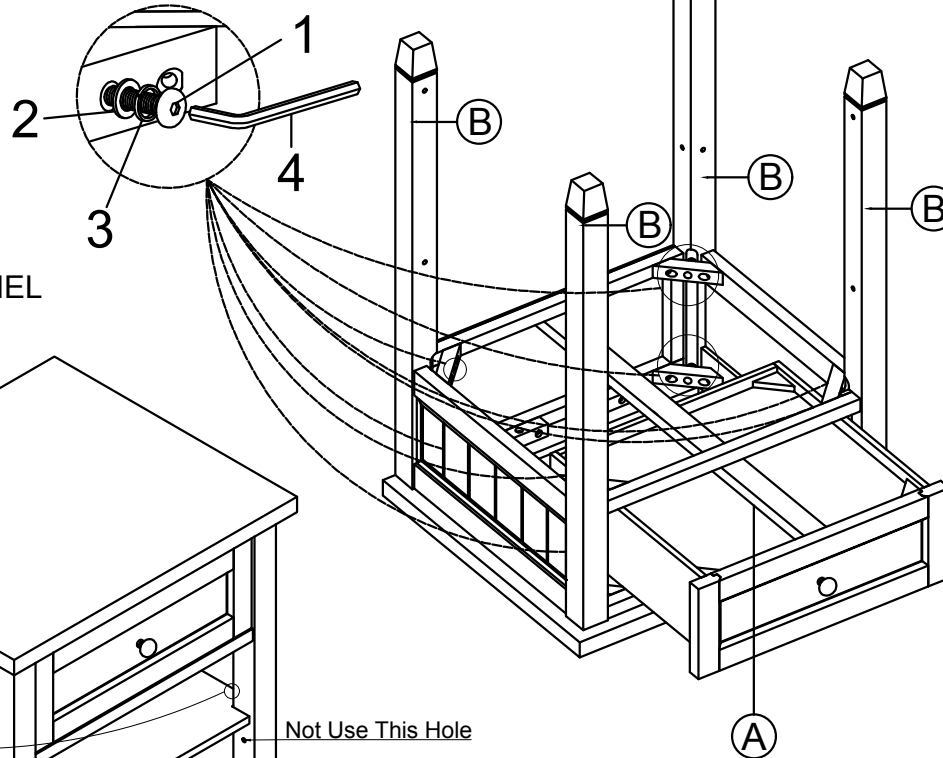







ASSEMBLY INTRUCTION

MODEL: NIGHTSTAND 1 DRW
ITEM: WF290903

PART LIST			
No	DESCRIPTION	IMAGE	Q'TY
A	TOP		1PC
B	LEGS		4PCS
C	SHELF		2PCS

STEP 1: 8 Point - Bolt 1/4"x50mm

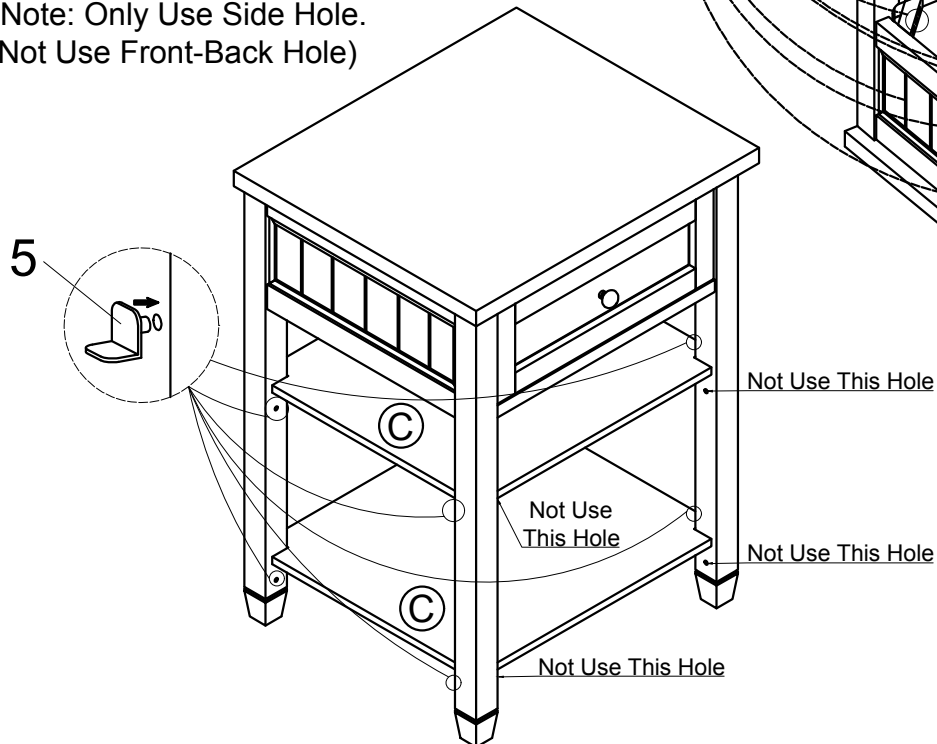


HARDWARE LIST			
No	DESCRIPTION	IMAGE	Q'TY
1	BOLT 1/4"x50mm		8PCS
2	WASHER		8PCS
3	LOCK WASHER		8PCS
4	ALLEN KEY		1PC
5	SHELF BASE		8PCS

STEP 2: ASSEMBLY SHELF PANEL

8 Point - Shelf Base

*Note: Only Use Side Hole.
(Not Use Front-Back Hole)



*COMPLETE

