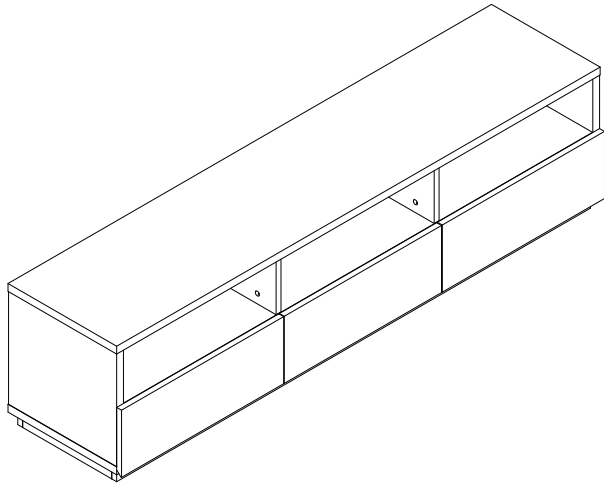






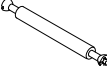
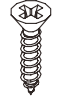
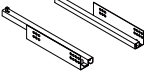
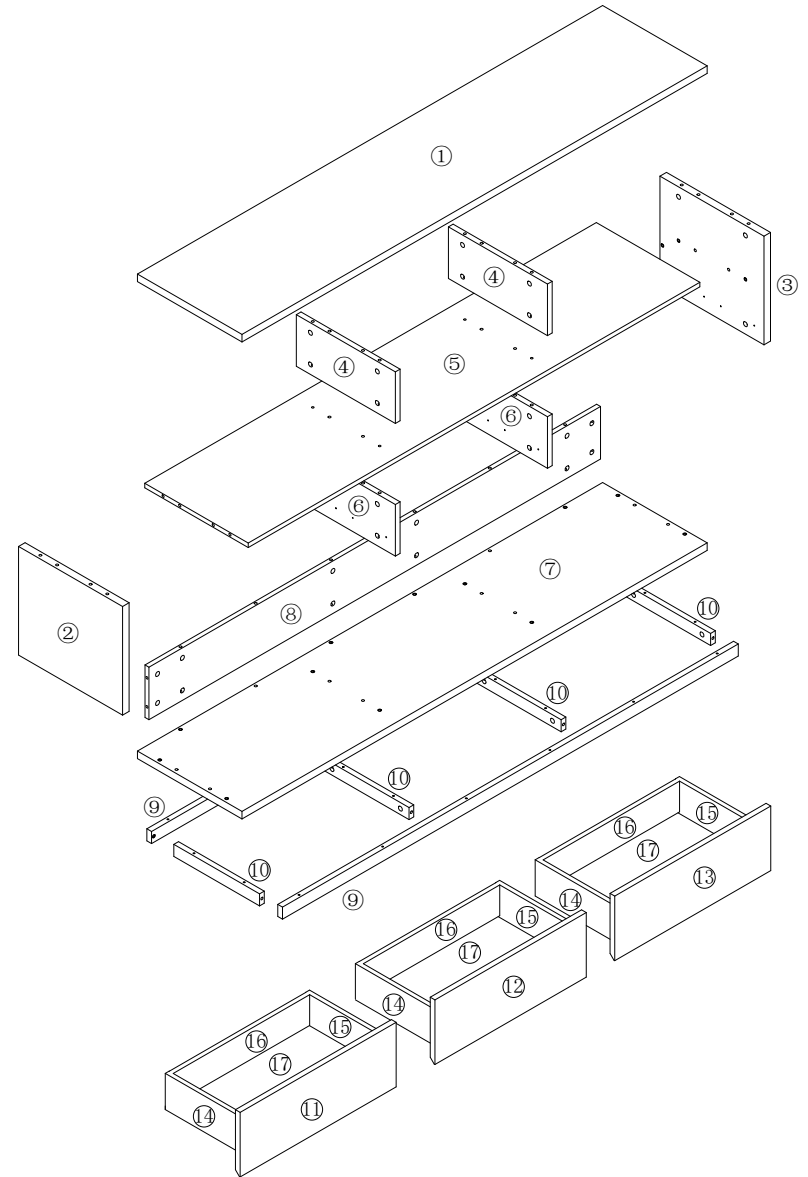


Assembly Instructions Media Stand



- | | | | | |
|---|---|---|---|---|
|  |  |  |  |  |
| A (24 pcs)
Ø8x30mm | B (52 pcs)
M7x35mm | C (52 pcs)
M7x35mm | D (52 pcs)
Ø20x1mm | E (32 pcs)
M4x35mm |
|  |  |  |  | |
| F (4 pcs)
Ø8x40mm | G (4 pcs)
Ø7x80mm | H (24 pcs)
M4x15mm | I (3 pcs)
450mm | |

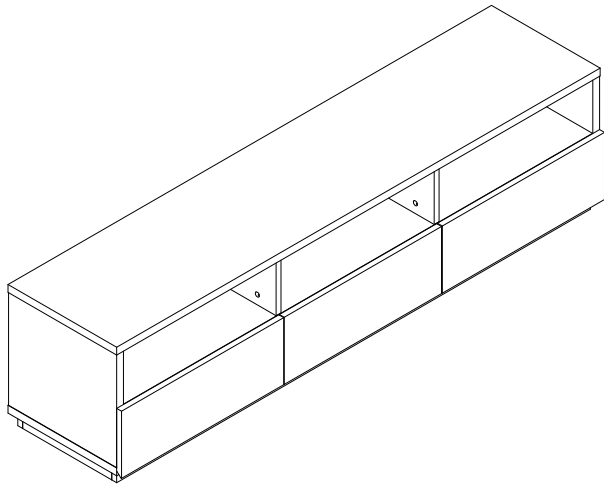
PLEASE NOTE: Check that you have received all components and hardware before assembling. If you are missing any parts, contact your retailer.



During assembly, hand tighten screws only. When the screws are in place, tighten completely.

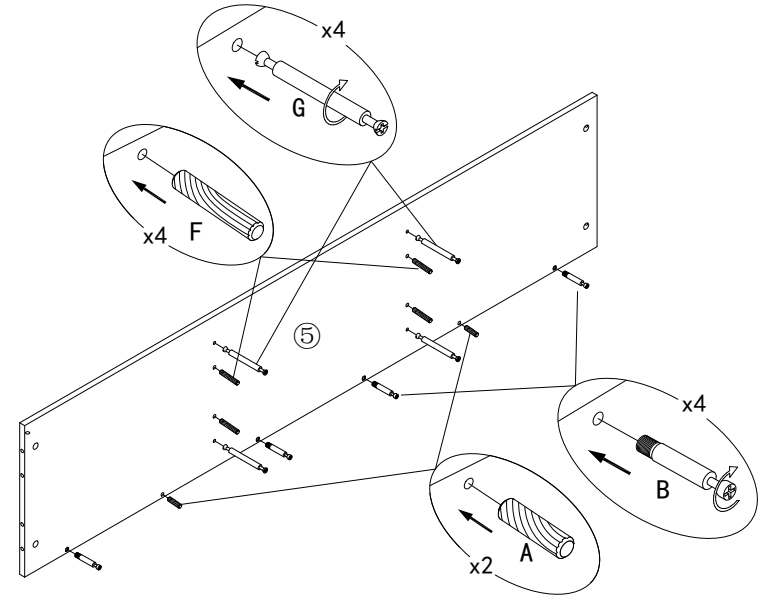
Assembly Instructions

Media Stand

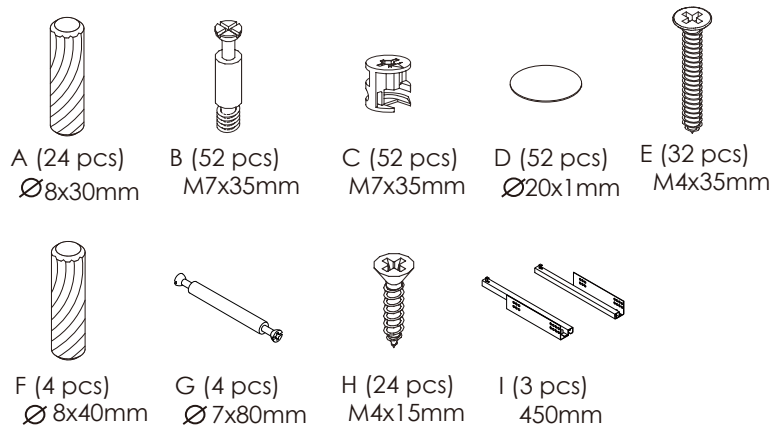
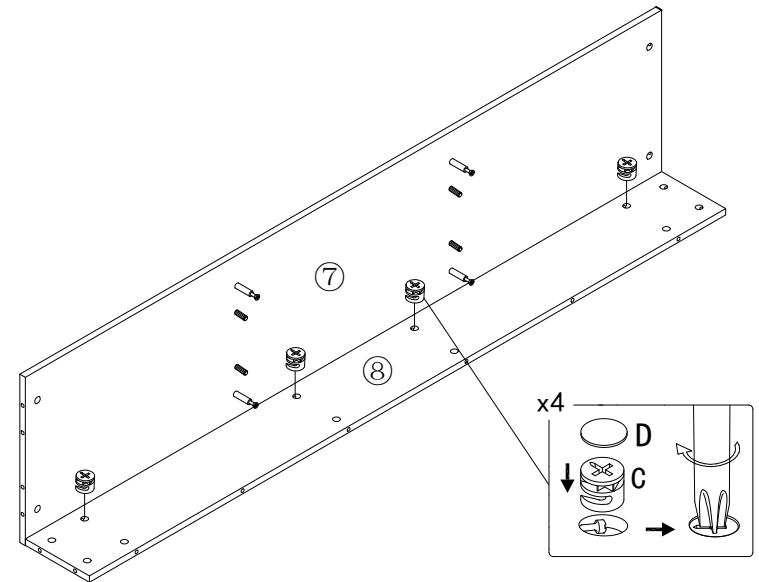


PLEASE NOTE: Check that you have received all components and hardware before assembling. If you are missing any parts, contact your retailer.

1.



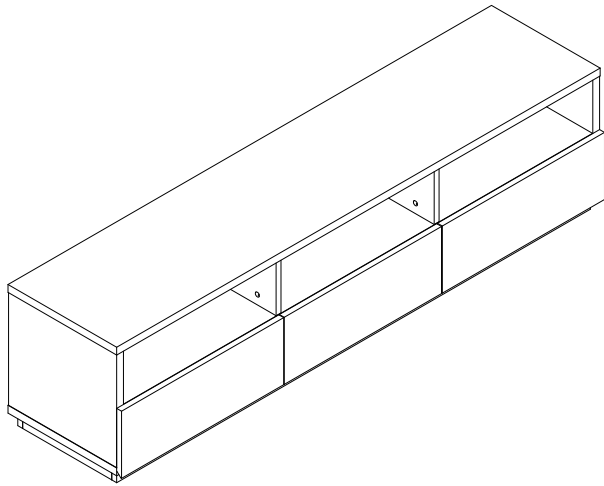
2.



During assembly, hand tighten screws only. When the screws are in place, tighten completely.

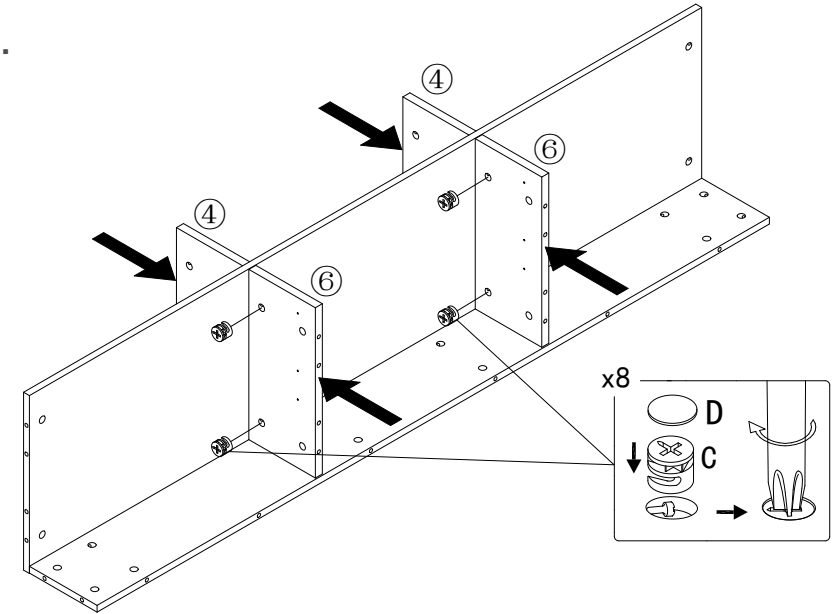
Assembly Instructions

Media Stand

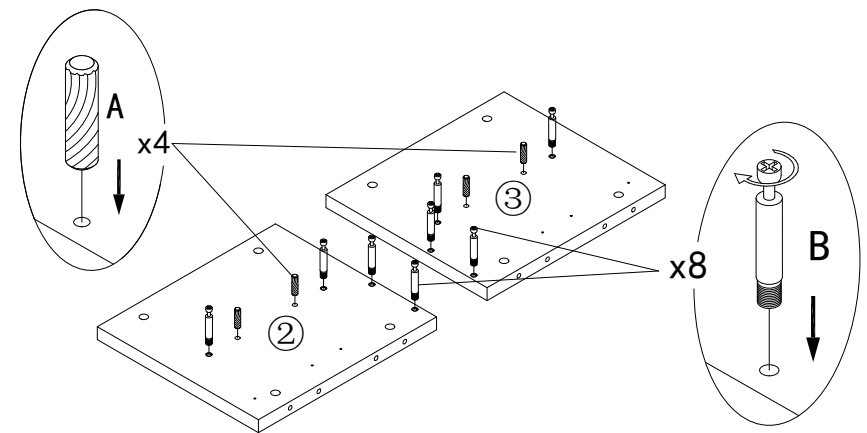








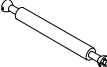

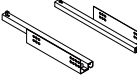
PLEASE NOTE: Check that you have received all components and hardware before assembling. If you are missing any parts, contact your retailer.

3.



4.

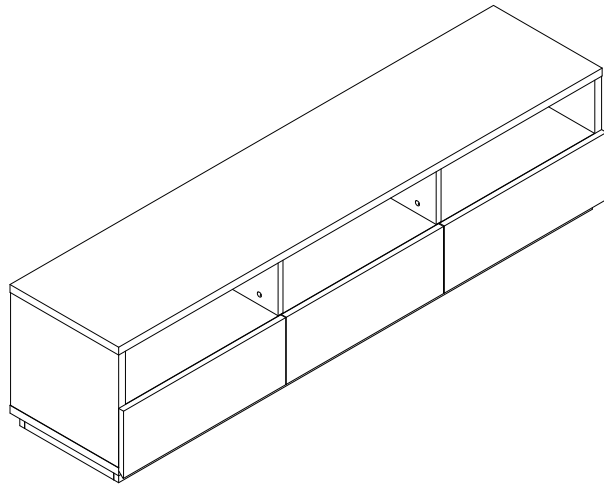


- | | | | | |
|--|--|--|--|--|
| 
A (24 pcs)
Ø8x30mm | 
B (52 pcs)
M7x35mm | 
C (52 pcs)
M7x35mm | 
D (52 pcs)
Ø20x1mm | 
E (32 pcs)
M4x35mm |
| 
F (4 pcs)
Ø8x40mm | 
G (4 pcs)
Ø7x80mm | 
H (24 pcs)
M4x15mm | 
I (3 pcs)
450mm | |

During assembly, hand tighten screws only. When the screws are in place, tighten completely.

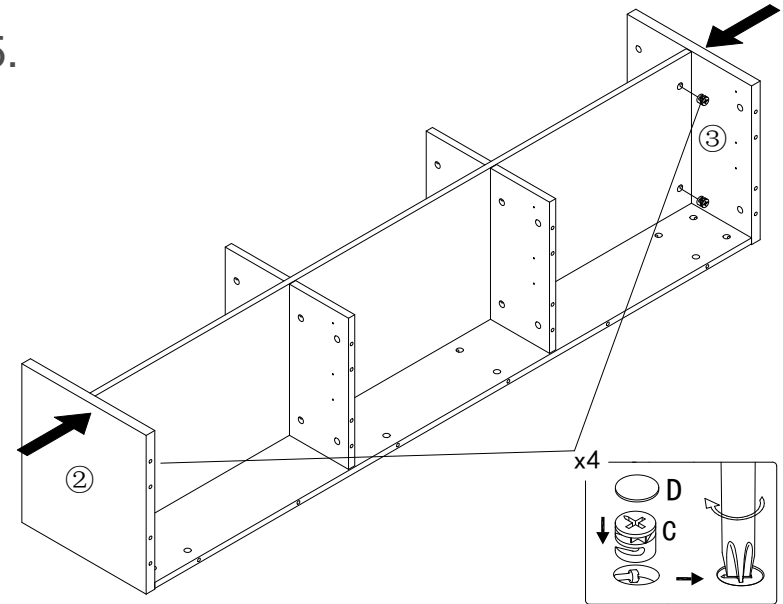
Assembly Instructions

Media Stand

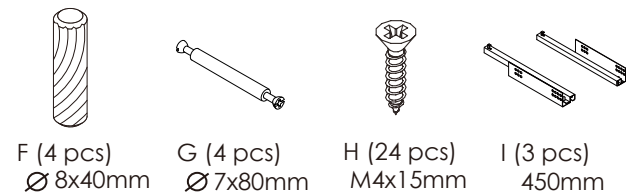
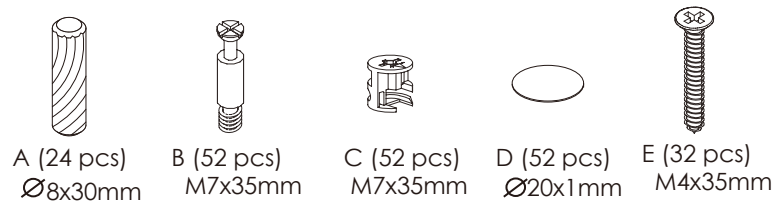
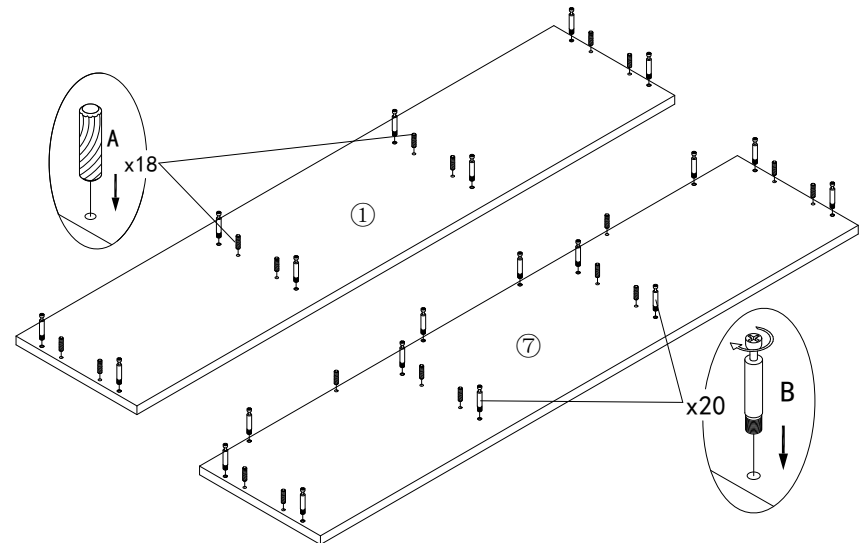


PLEASE NOTE: Check that you have received all components and hardware before assembling. If you are missing any parts, contact your retailer.

5.



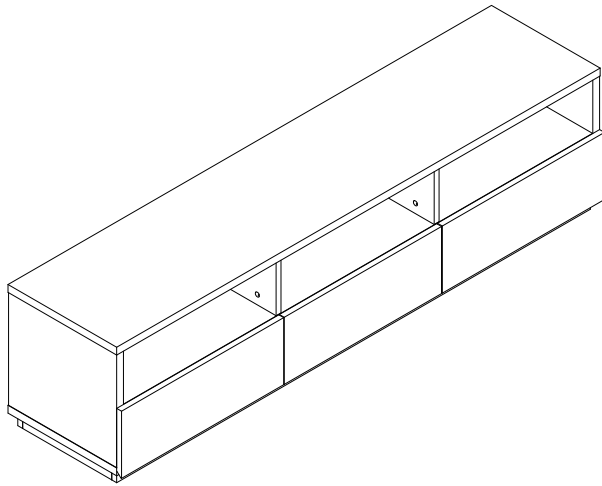
6.



During assembly, hand tighten screws only. When the screws are in place, tighten completely.

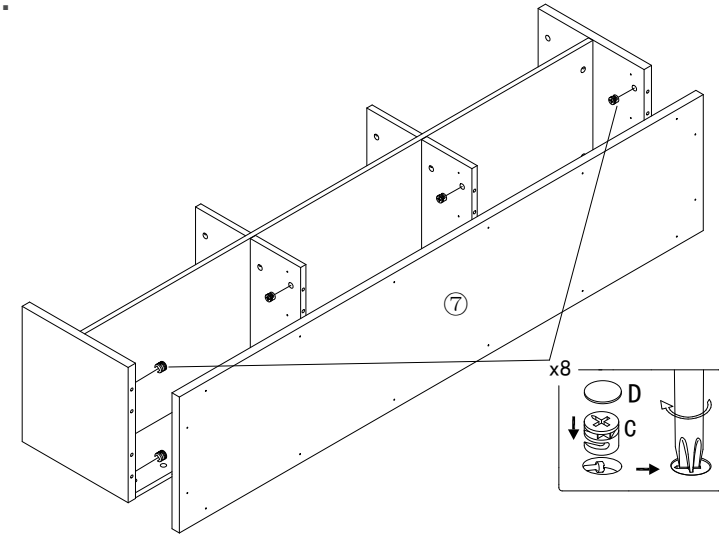
Assembly Instructions

Media Stand

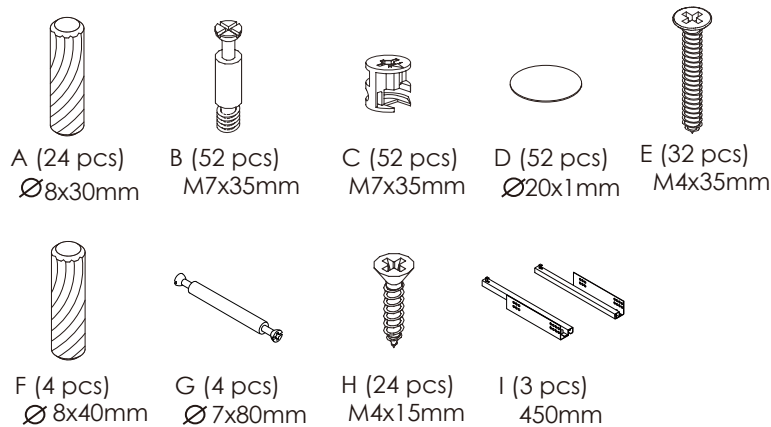
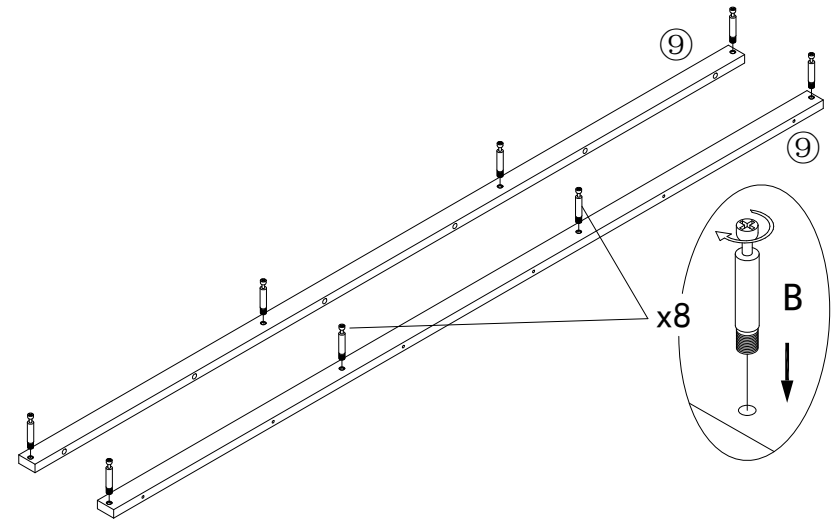


PLEASE NOTE: Check that you have received all components and hardware before assembling. If you are missing any parts, contact your retailer.

7.



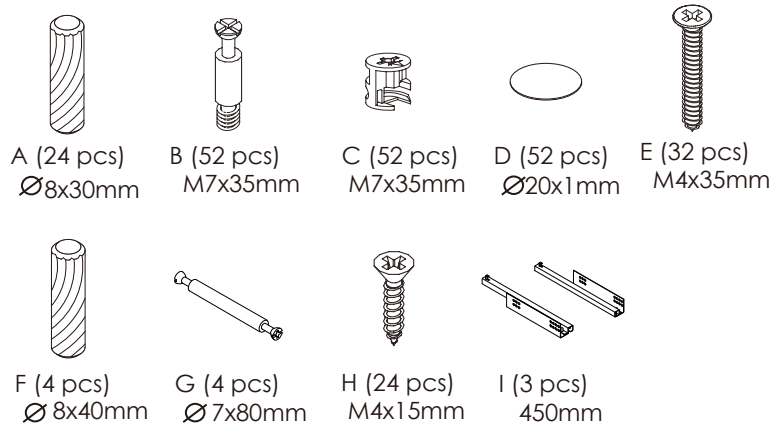
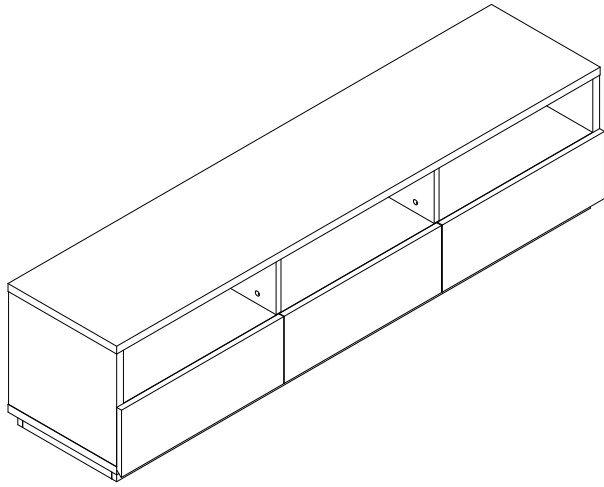
8.



During assembly, hand tighten screws only. When the screws are in place, tighten completely.

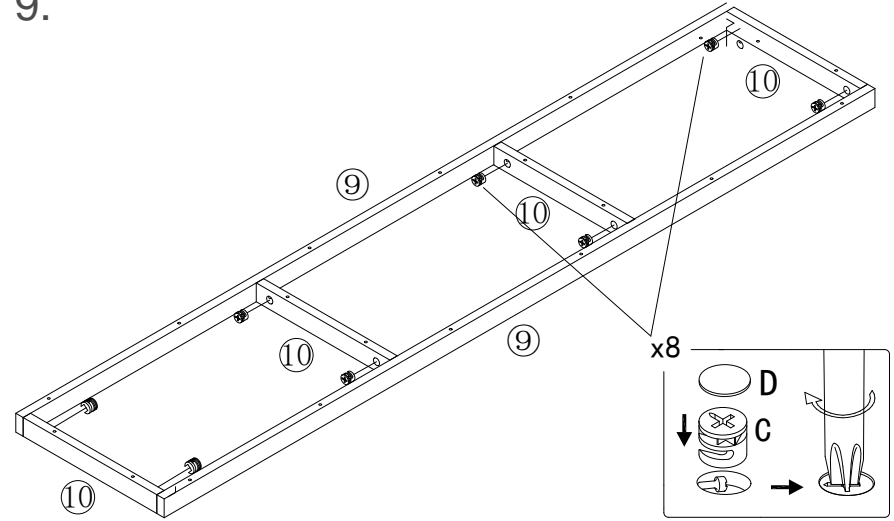
Assembly Instructions

Media Stand

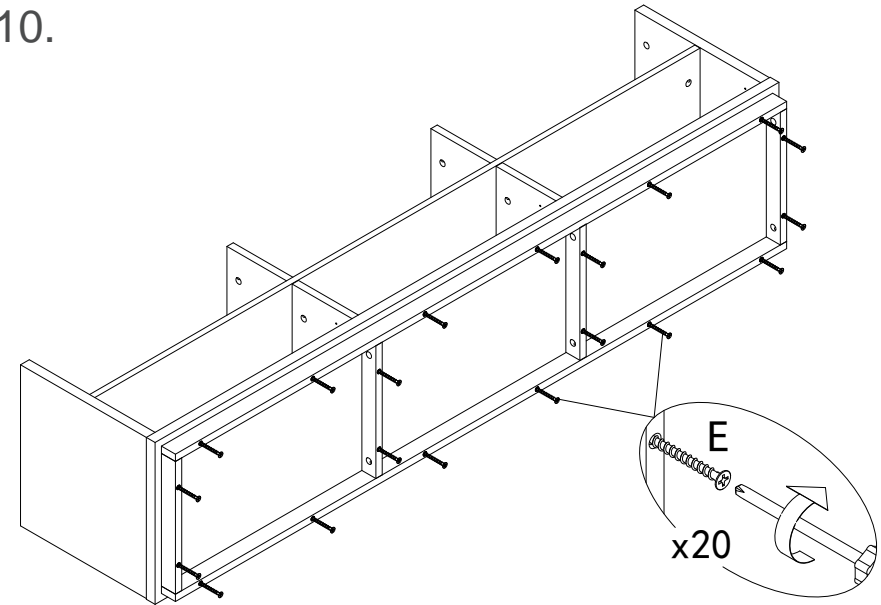


PLEASE NOTE: Check that you have received all components and hardware before assembling. If you are missing any parts, contact your retailer.

9.



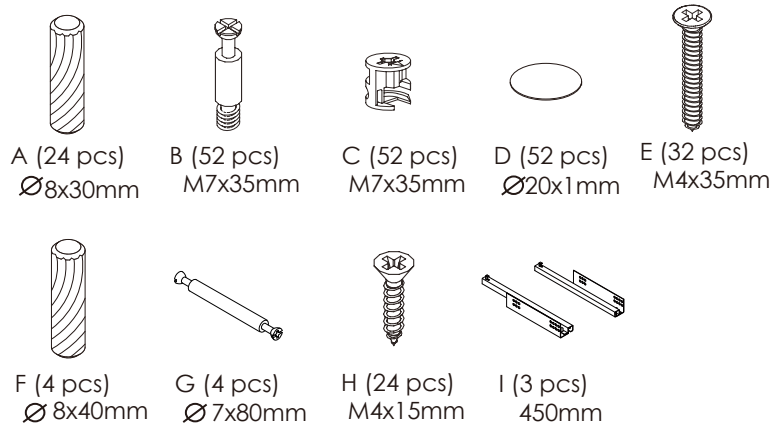
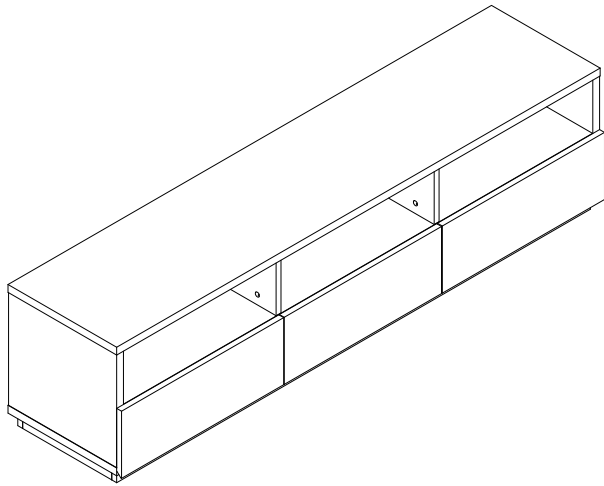
10.



During assembly, hand tighten screws only. When the screws are in place, tighten completely.

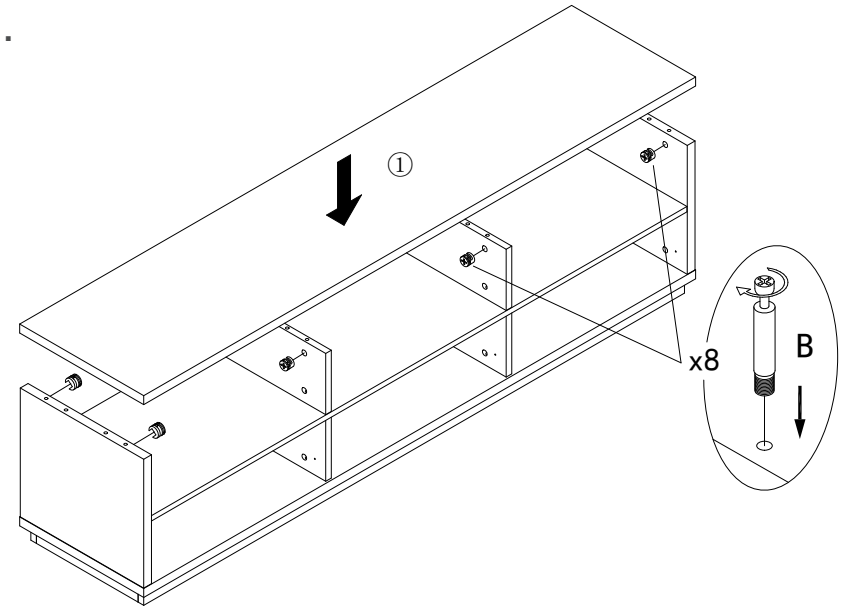
Assembly Instructions

Media Stand

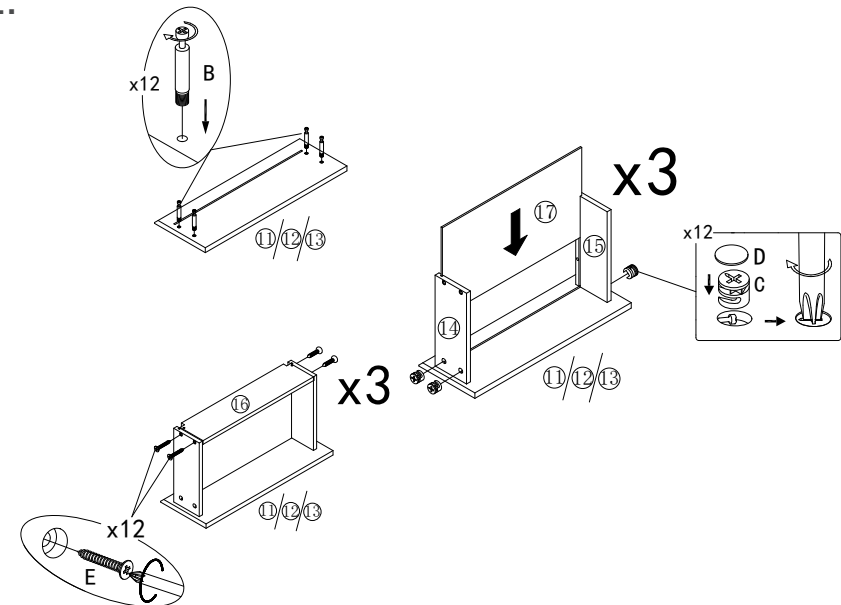


PLEASE NOTE: Check that you have received all components and hardware before assembling. If you are missing any parts, contact your retailer.

11.

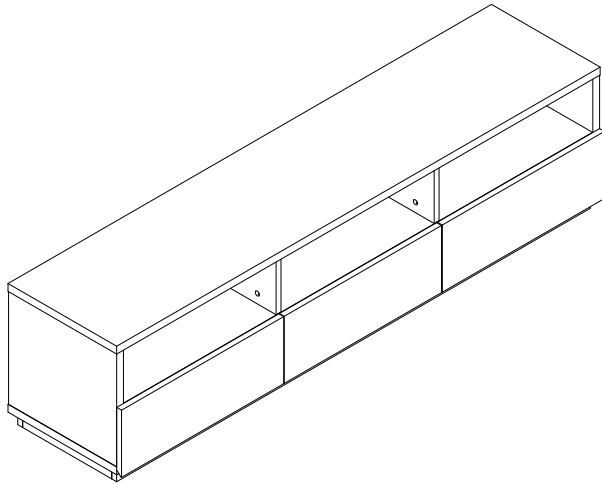








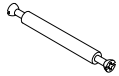

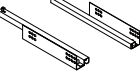
12.



During assembly, hand tighten screws only. When the screws are in place, tighten completely.

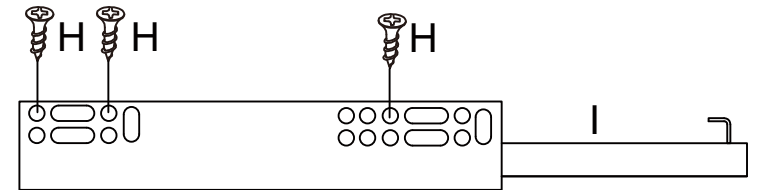
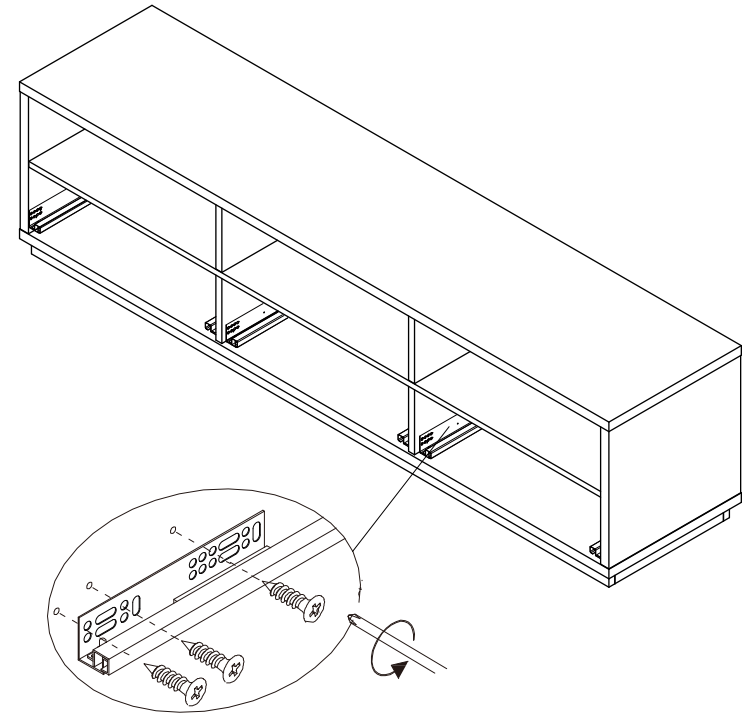
Assembly Instructions Media Stand



- A (24 pcs)  Ø8x30mm
- B (52 pcs)  M7x35mm
- C (52 pcs)  M7x35mm
- D (52 pcs)  Ø20x1mm
- E (32 pcs)  M4x35mm
- F (4 pcs)  Ø8x40mm
- G (4 pcs)  Ø7x80mm
- H (24 pcs)  M4x15mm
- I (3 pcs)  450mm

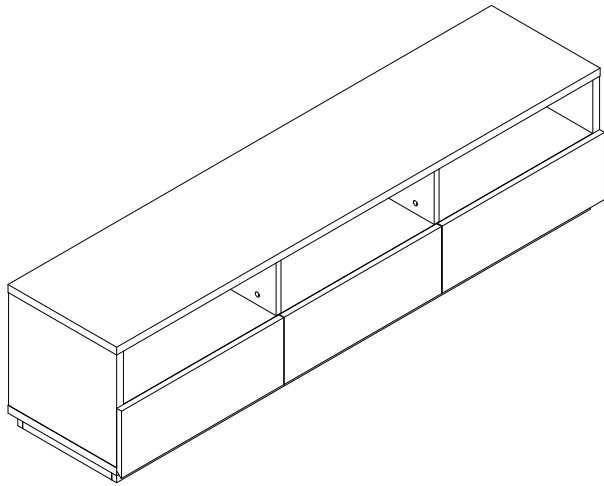
PLEASE NOTE: Check that you have received all components and hardware before assembling. If you are missing any parts, contact your retailer.







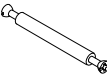

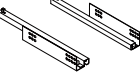
13.



During assembly, hand tighten screws only. When the screws are in place, tighten completely.

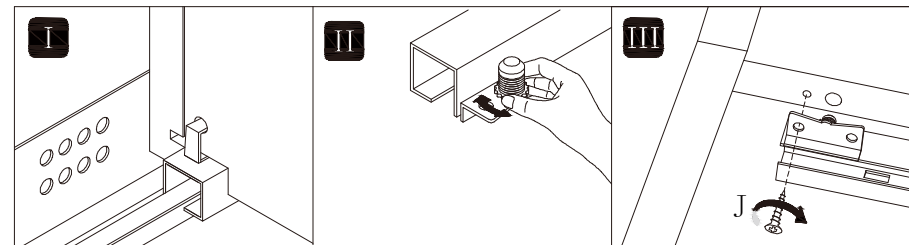
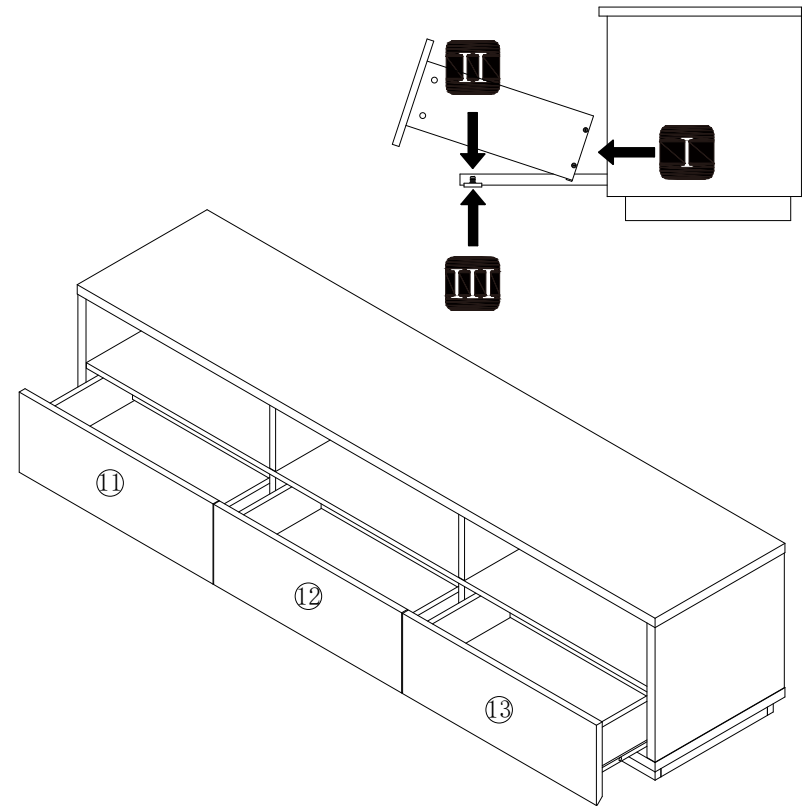
Assembly Instructions Media Stand



- | | | | | |
|--|--|--|--|--|
| 
A (24 pcs)
Ø8x30mm | 
B (52 pcs)
M7x35mm | 
C (52 pcs)
M7x35mm | 
D (52 pcs)
Ø20x1mm | 
E (32 pcs)
M4x35mm |
| 
F (4 pcs)
Ø8x40mm | 
G (4 pcs)
Ø7x80mm | 
H (24 pcs)
M4x15mm | 
I (3 pcs)
450mm | |

PLEASE NOTE: Check that you have received all components and hardware before assembling. If you are missing any parts, contact your retailer.

14.



During assembly, hand tighten screws only. When the screws are in place, tighten completely.