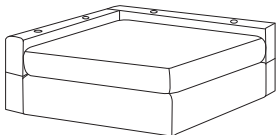
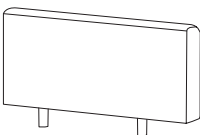
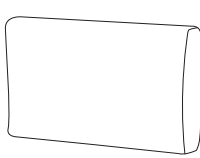
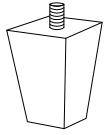
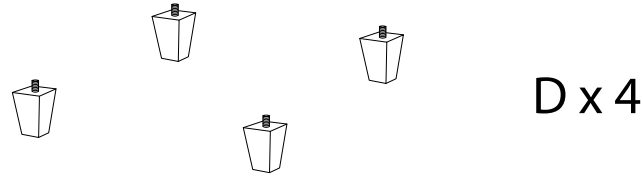
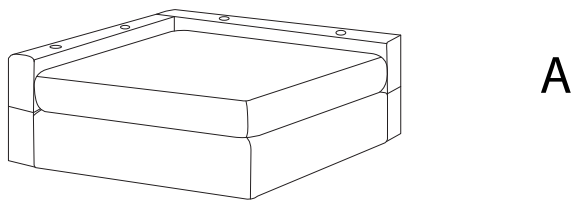
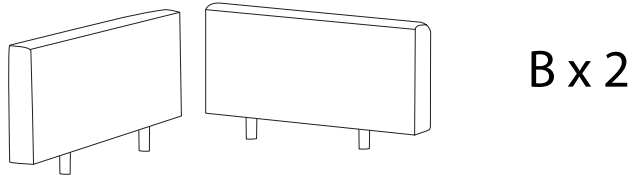
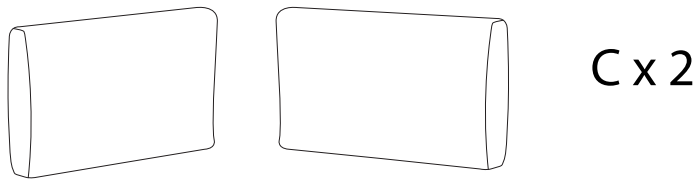
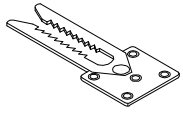
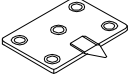




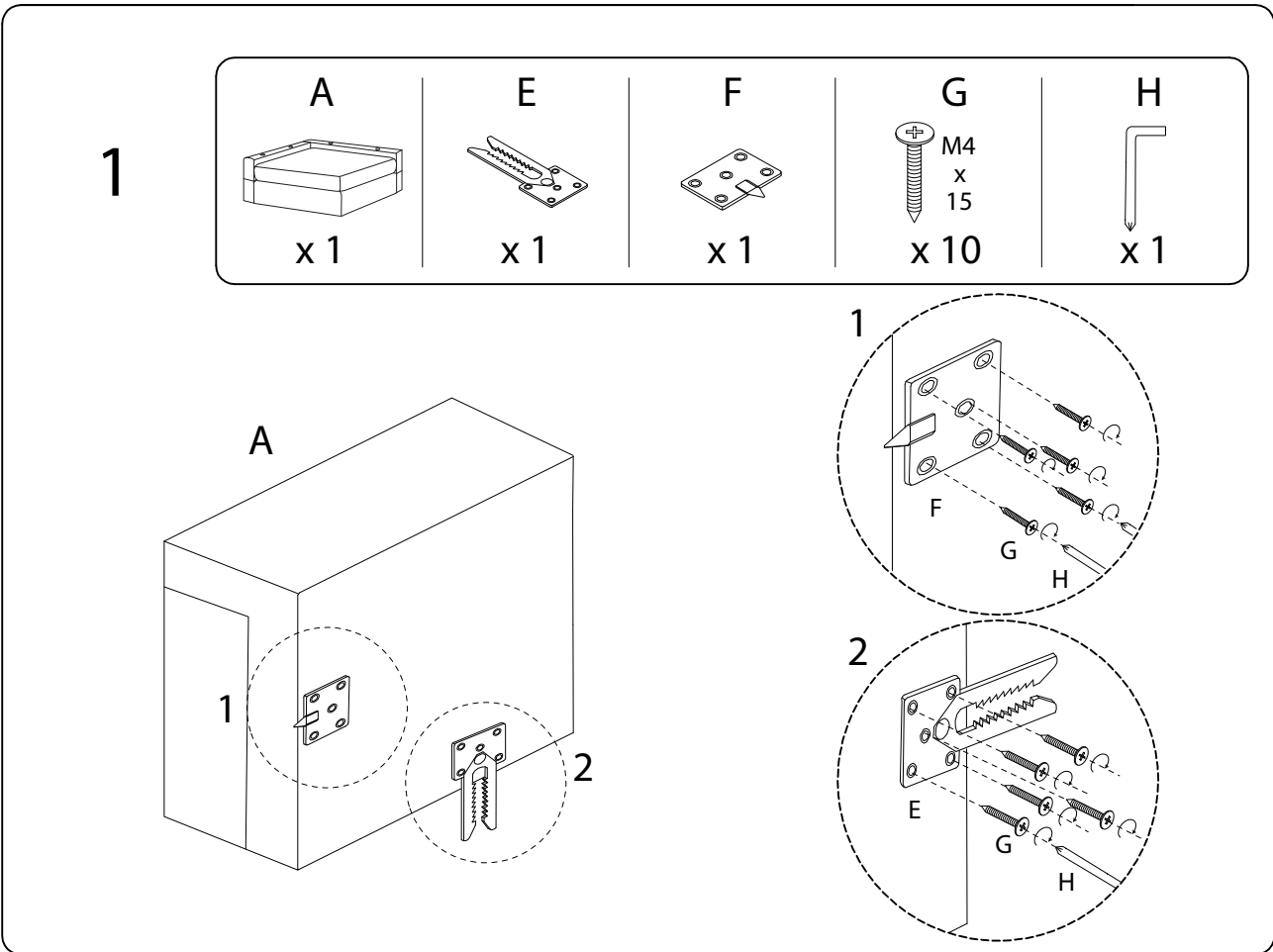
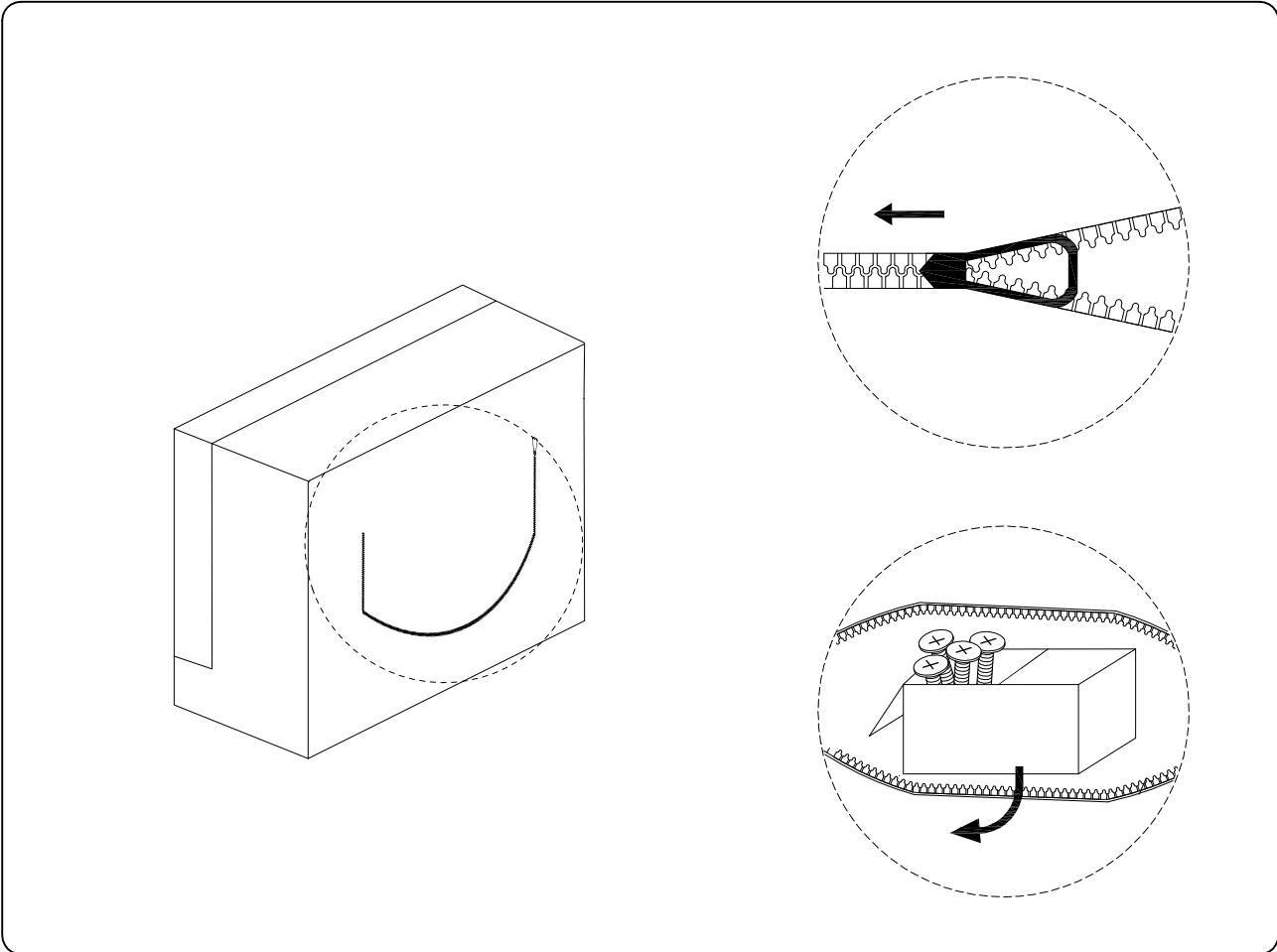
Diagram illustrating assembly instructions and safety warnings:

- Warning 1:** A warning triangle with an exclamation mark is connected to a box containing:
 - A circular icon showing a corner bracket.
 - A crossed-out power drill icon.
- Warning 2:** A warning triangle with an exclamation mark is connected to a box containing:
 - A circular icon showing a rectangular block on a textured surface.
 - A crossed-out icon of a rectangular block with a screw being inserted into its bottom.
- Time:** A clock icon with the number **5'** below it, indicating a 5-minute assembly time.
- Person:** An icon of a person with the number **1** below it, indicating that one person is required for assembly.

A	B	C	D
			
x 1	x 2	x 2	x 4

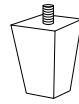


E	F	G	H
			
x 1	x 1	x 10	x 1

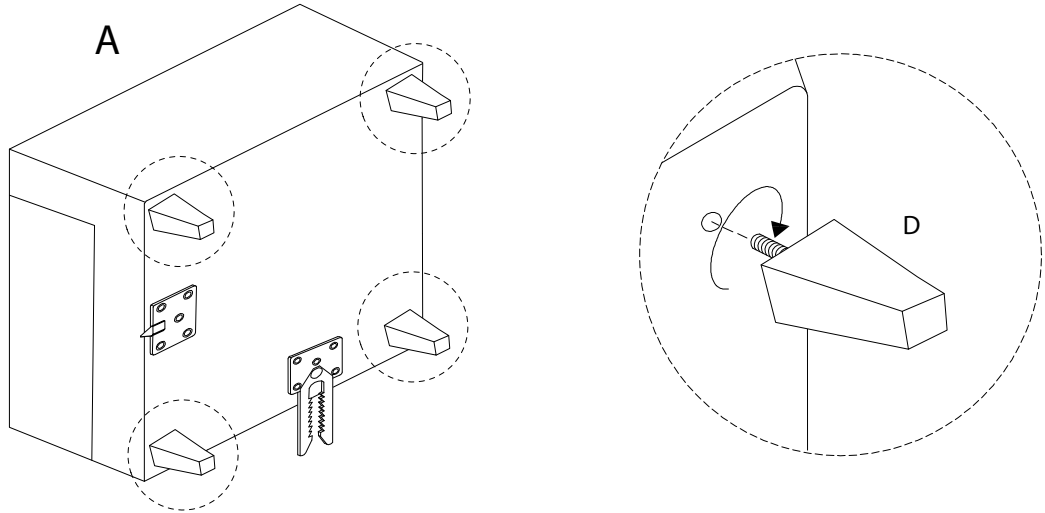


2

D

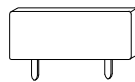


x 4

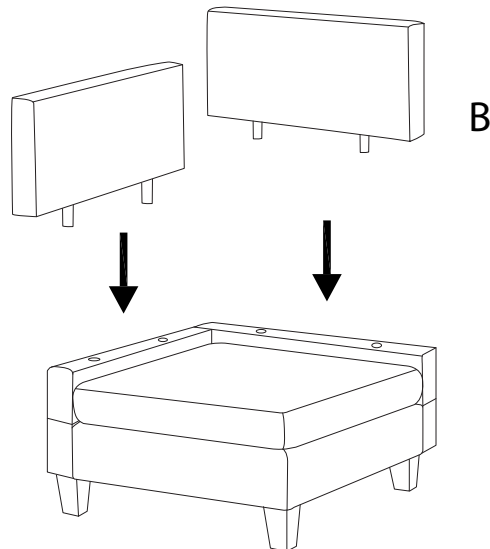


3

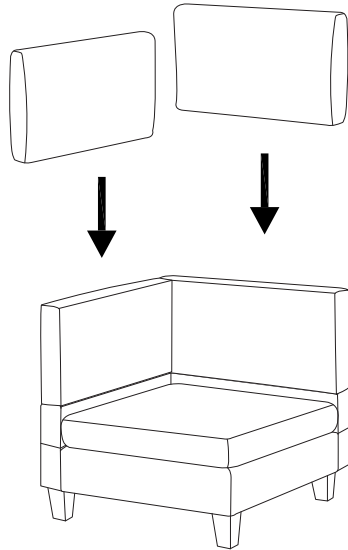
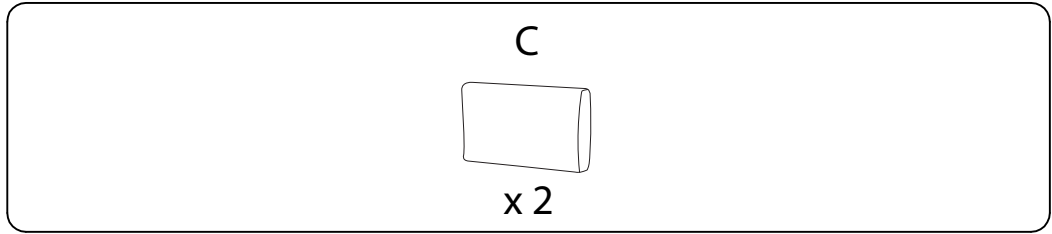
B



x 2



4



!

