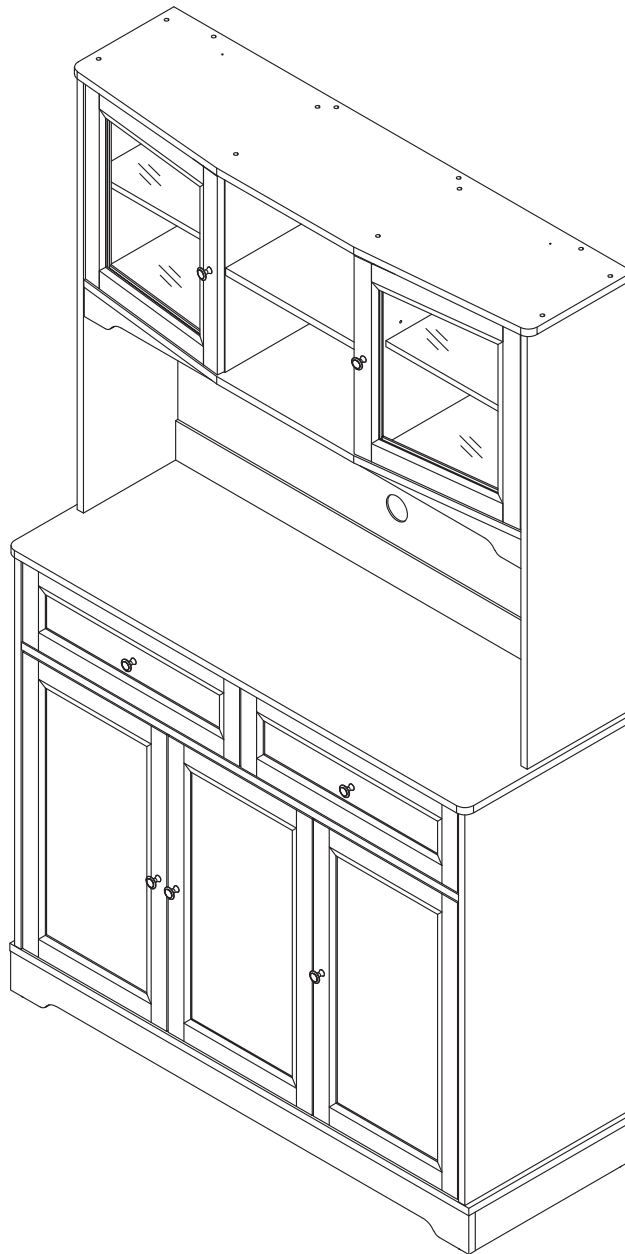


Tall Cabinet > Manual



Thank you for purchase on our products. Please contact us if you have difficulty with assembly or need replacement parts. Our customer service is here to assist you. Please attach your User Name or Order ID so that we can assist you better.

Vielen Dank für Ihren Kauf von uns Produkten. Bitte kontaktieren Sie uns, wenn Sie Probleme mit Montage haben oder Ersatzteile benötigen. Wir Kundenservice ist für Sie da. Bitte geben Sie Ihren Benutzernamen oder Ihre Bestellnummer an, damit wir Sie besser unterstützen können.

EN

WARNING

Serious or fatal injury may occur from unexpected assembly or use.

1. During the assembly process, keep all parts away from babies or children.
2. Always securely fix this product to the wall. Make sure the wall area to be drilled is free from hidden electrical wires, water and gas pipes.
3. Use of tip-over restraints may only reduce, but not eliminate the risk of tip-over.
4. Unless specially designed to accommodate, do not set heavy objects on top of this product.
5. Place the heaviest items on the lowest shelf.
6. Never allow children to climb or bang on drawers, doors or shelves.

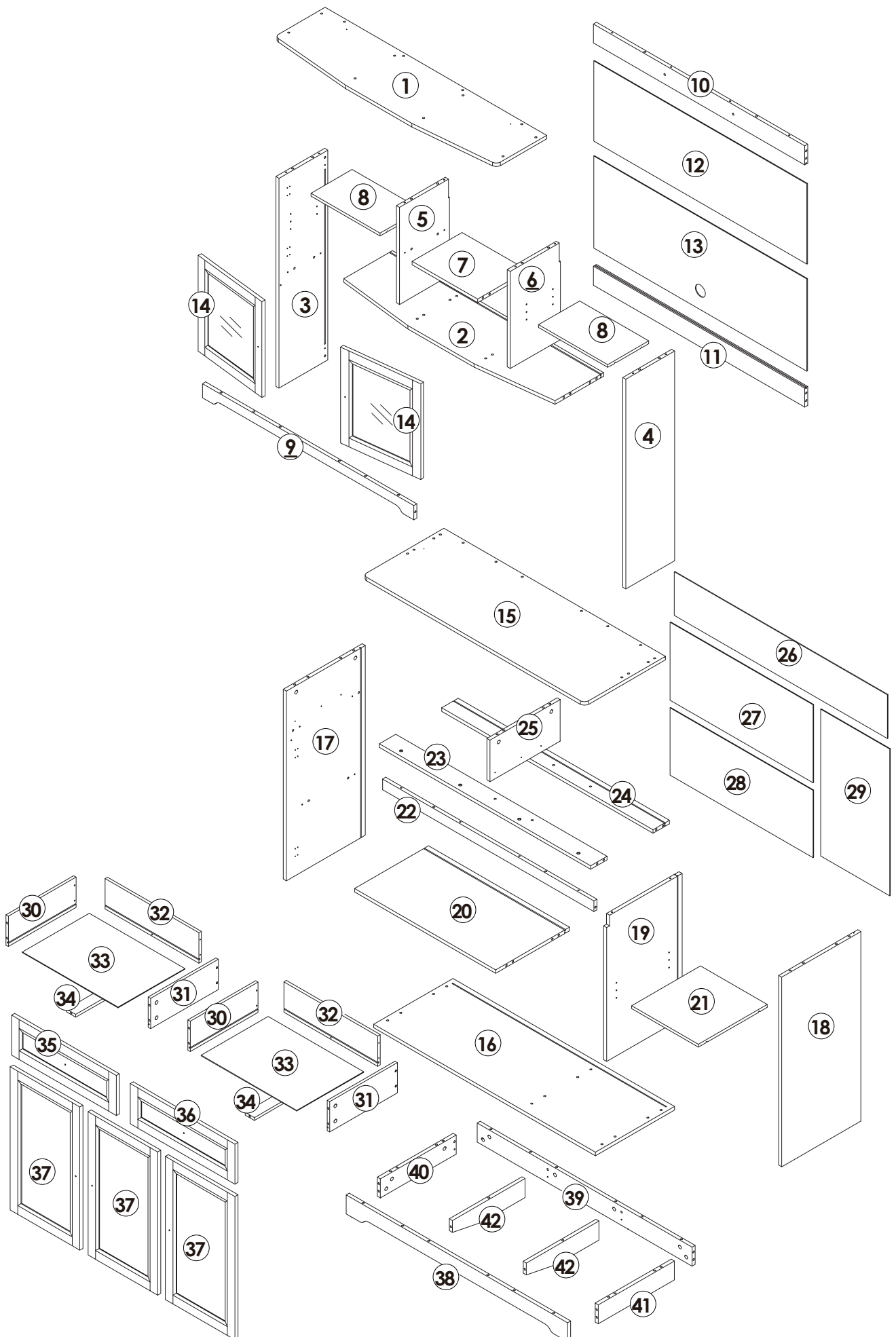
DE

WARNUNG

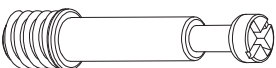



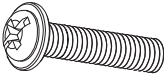


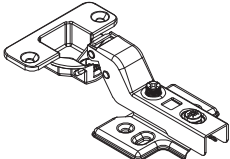
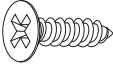
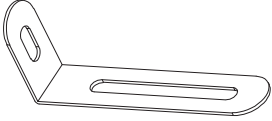
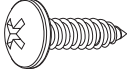
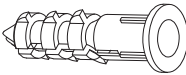

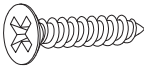

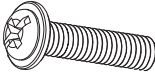
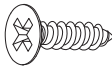




Bei unerwarteter Montage oder Verwendung können schwere oder tödliche Verletzung auftreten.

1. Legen Sie in den Montageprozess alle Teile weg von Babys oder Kindern.
2. Stellen Sie sicher, dass der gebohrte Wandbereich frei von verborgenen Stromkabeln, Wasser- und Gasleitungen ist, wenn Sie dieses Produkt an der Wand befestigen.
3. Die Verwendung von Kippsicherungen kann die Gefahr eines Kippens nur verringern, jedoch nicht beseitigen.
4. Setzen Sie bitte keine schweren Gegenstände auf dieses Produkt, es sei denn, dass das Produkt speziell für die Unterbringung konzipiert wird.
5. Legen Sie bitte die schwersten Gegenstände auf das unterste Regal.
6. Erlauben Sie nie Kindern, auf Schubladen, Türen oder Regale zu klettern oder zu knallen.

Parts List(EN) / Teile Liste(DE)

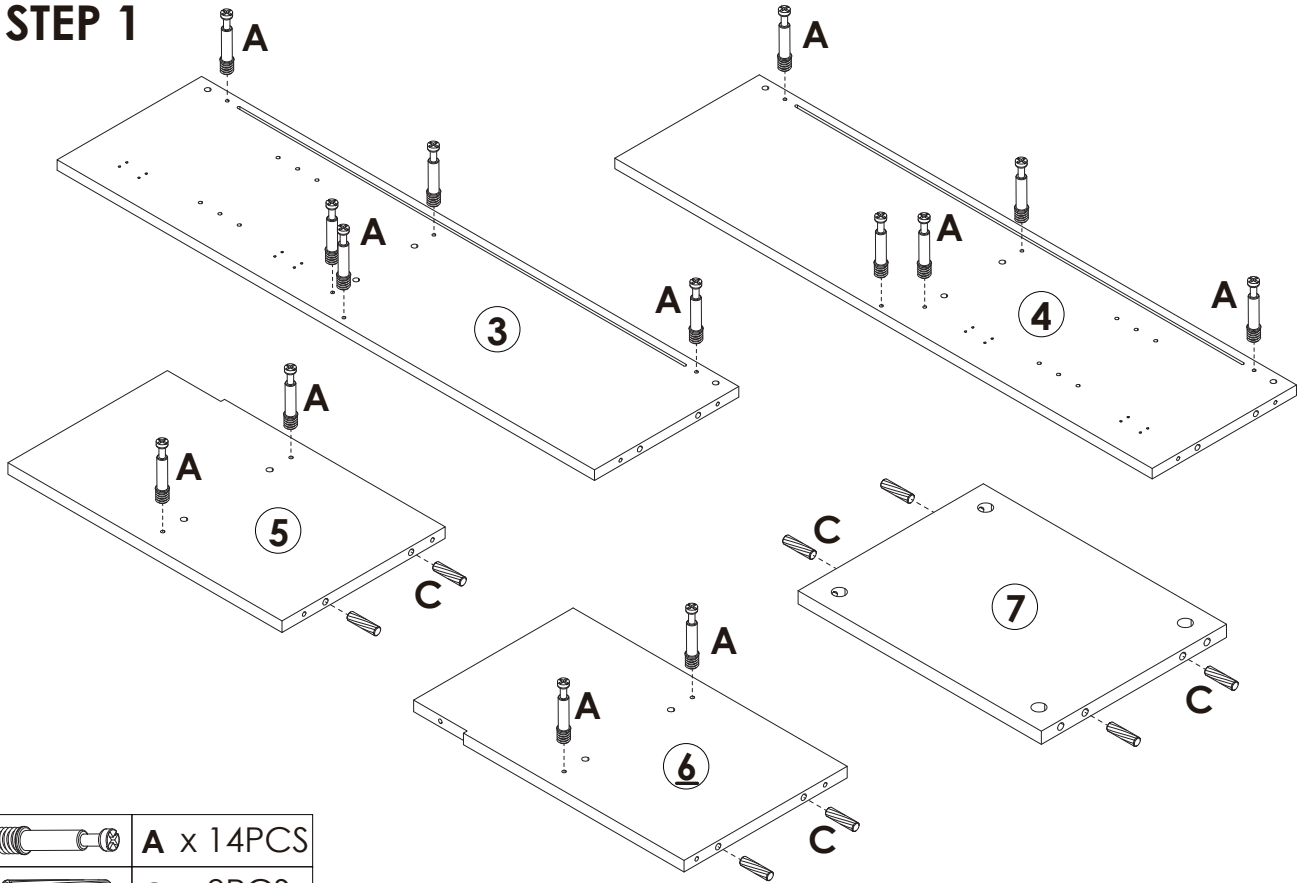


Parts List(EN) / Teile Liste(DE)

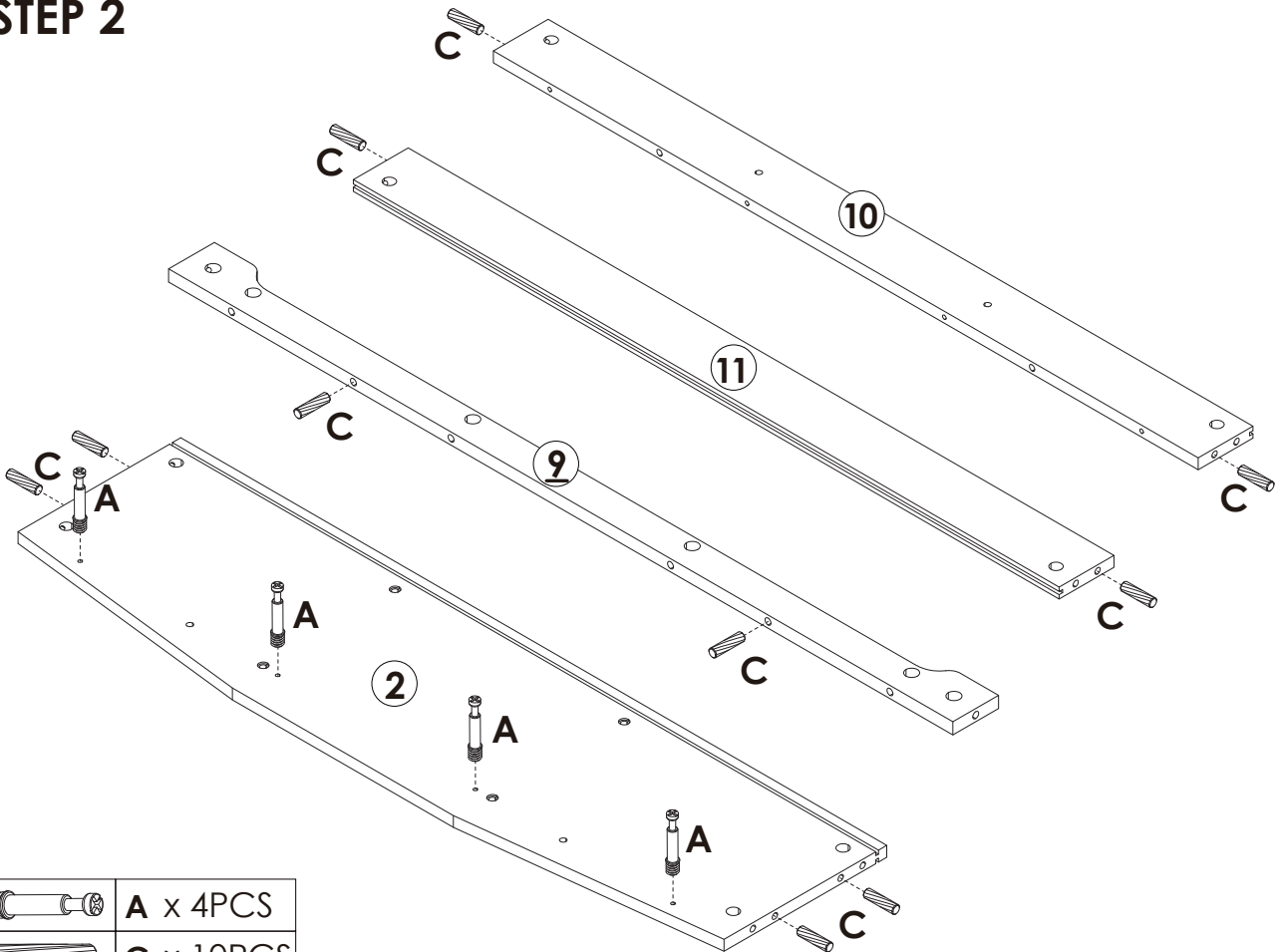
<p>A</p>  <p>M6×35mm 66+2PCS</p>	<p>B</p>  <p>Φ15×9mm 66+2PCS</p>	<p>C</p>  <p>Φ6×30mm 72+2PCS</p>
<p>D</p>  <p>7PCS</p>	<p>E</p>  <p>M4×16mm 5PCS</p>	<p>F</p>  <p>Φ5×16mm 12+2PCS</p>
<p>G</p>  <p>M4×40mm 12+2PCS</p>	<p>H</p>  <p>10PCS</p>	<p>J</p>  <p>M4×12mm 60+2PCS</p>
<p>K</p>  <p>2PCS</p>	<p>L</p>  <p>M4×14mm 2PCS</p>	<p>M</p>  <p>2PCS</p>
<p>P</p>  <p>M5×38mm 40+2PCS</p>	<p>Q</p>  <p>M3×16mm 44+2PCS</p>	<p>R</p>  <p>44+2PCS</p>
<p>S</p>  <p>M4×14mm 2PCS</p>	<p>T</p>  <p>M3.5×12mm 24+2PCS</p>	<p>CL</p>  <p>L300mm 2PCS</p>
<p>CR</p>  <p>L300mm 2PCS</p>	<p>DL</p>  <p>L300mm 2PCS</p>	<p>DR</p>  <p>L300mm 2PCS</p>

Assembly Steps(EN) / Montageschritte(DE)

STEP 1

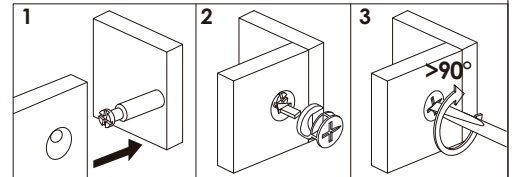
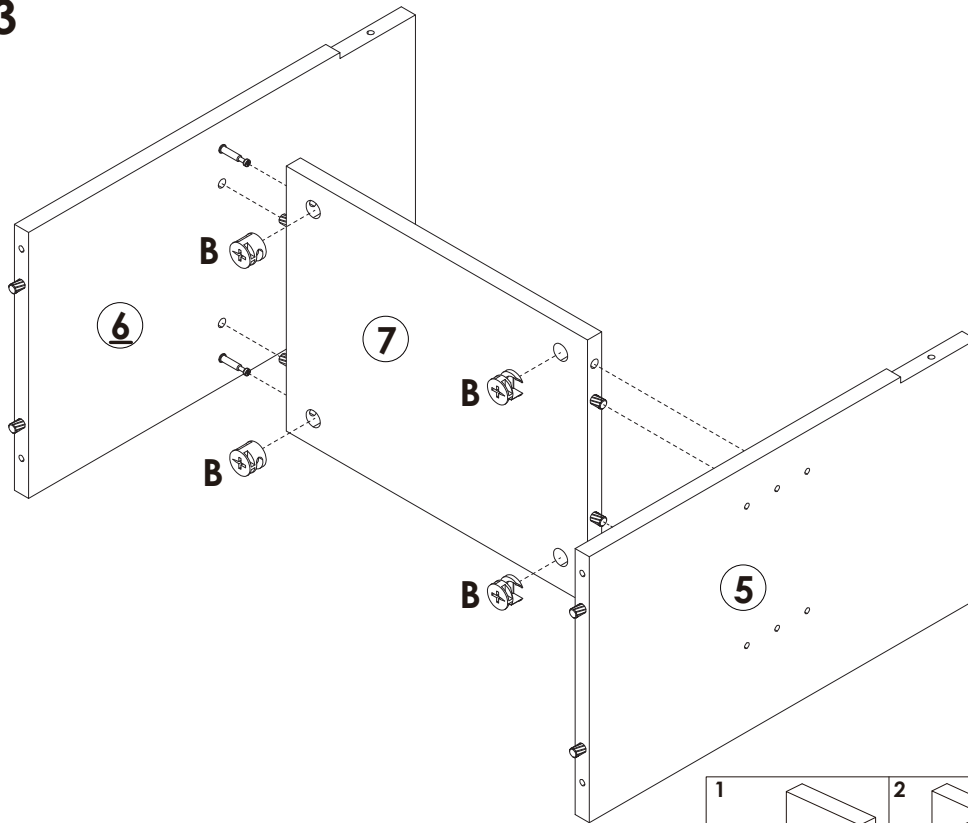


STEP 2



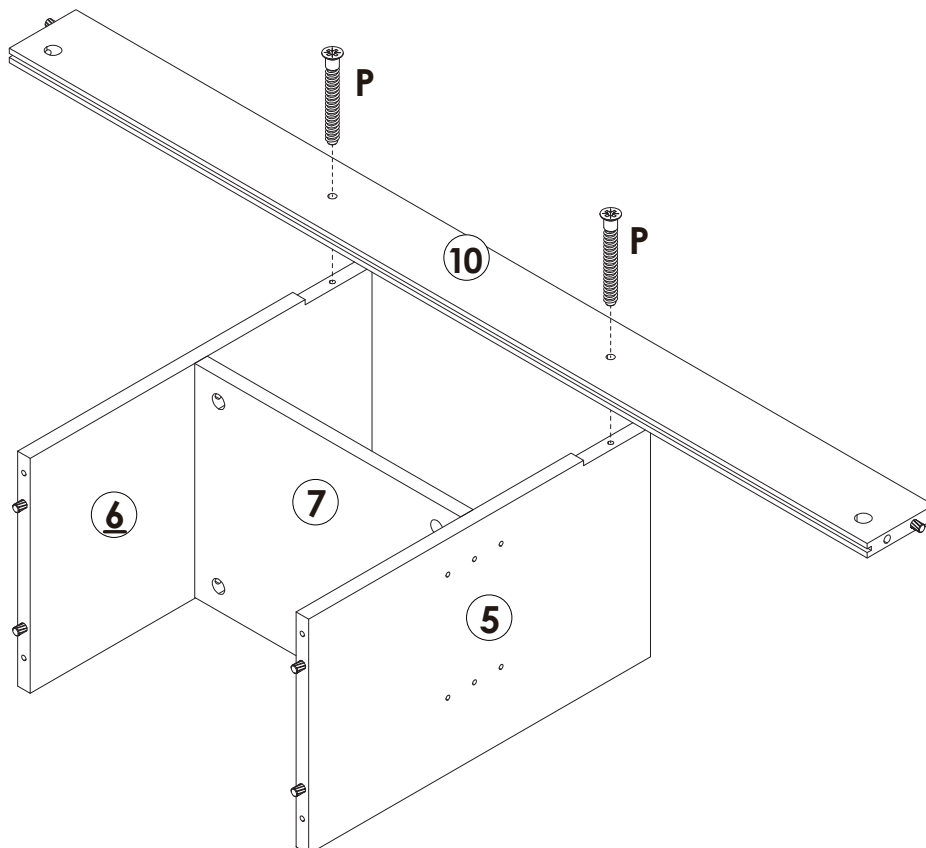
Assembly Steps(EN) / Montageschritte(DE)

STEP 3



B x 4PCS

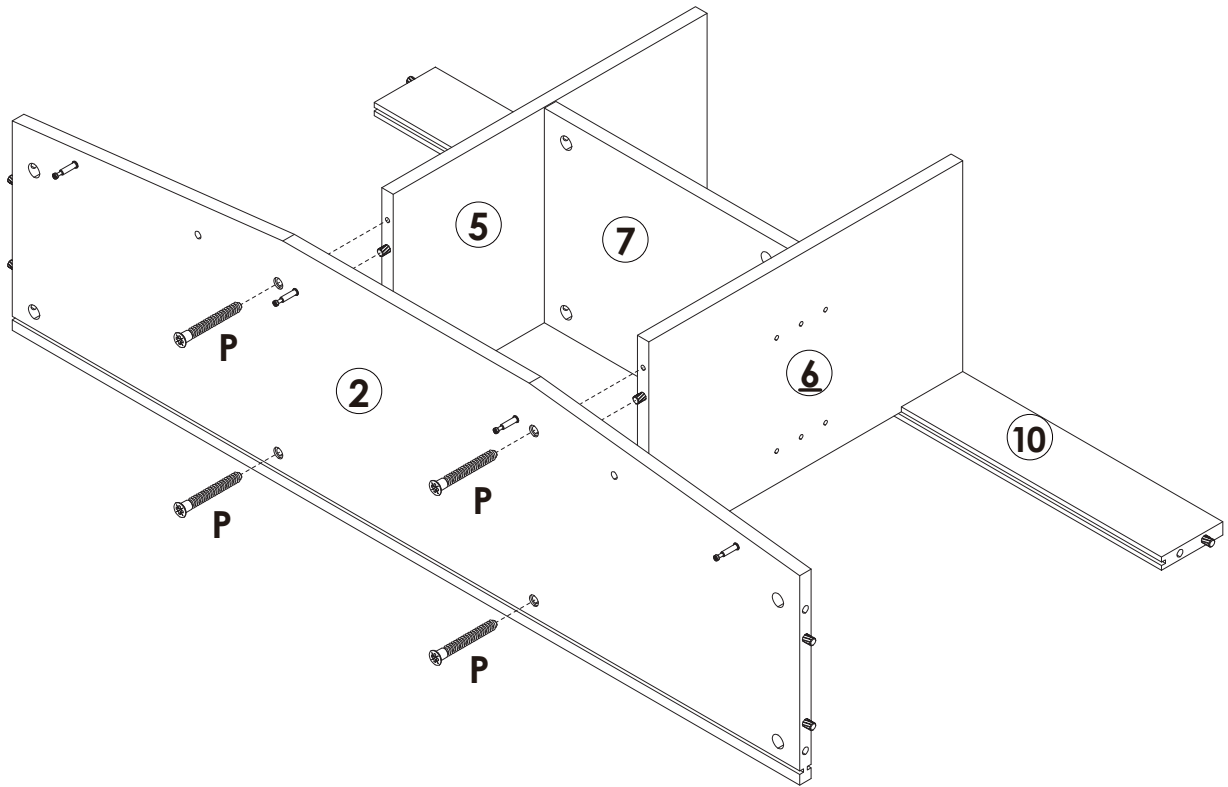
STEP 4



P x 2PCS

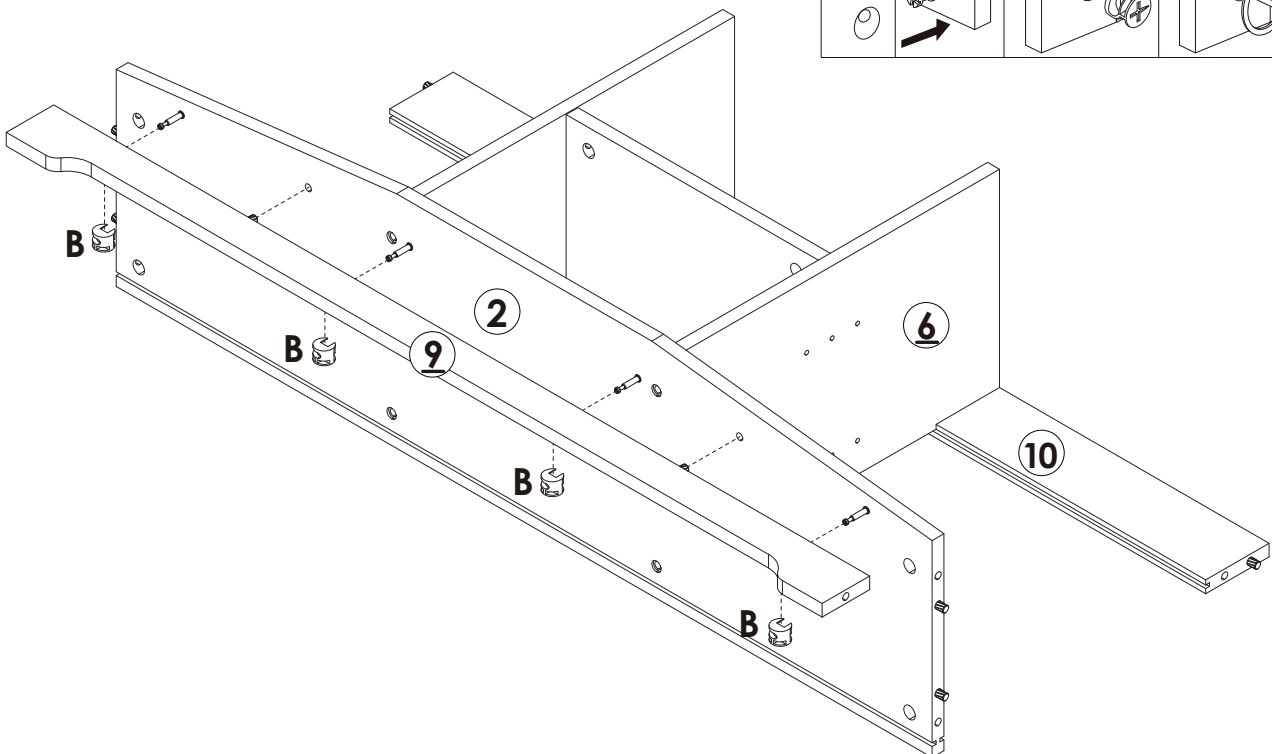
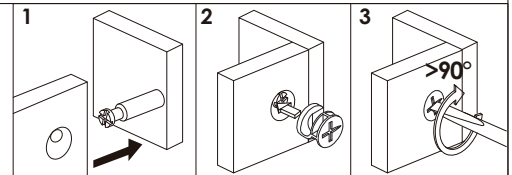
Assembly Steps(EN) / Montageschritte(DE)

STEP 5



P x 4PCS

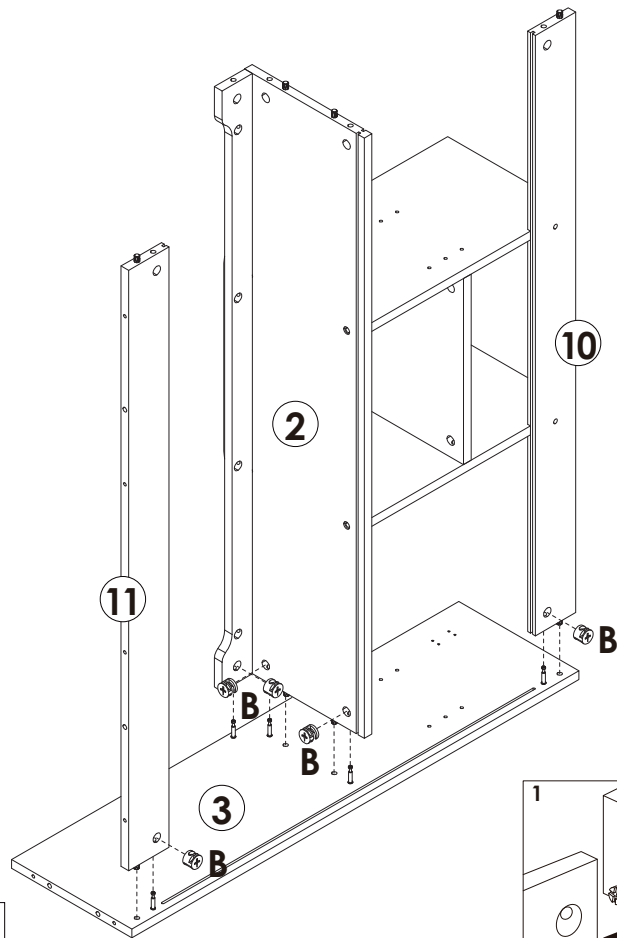
STEP 6



B x 4PCS

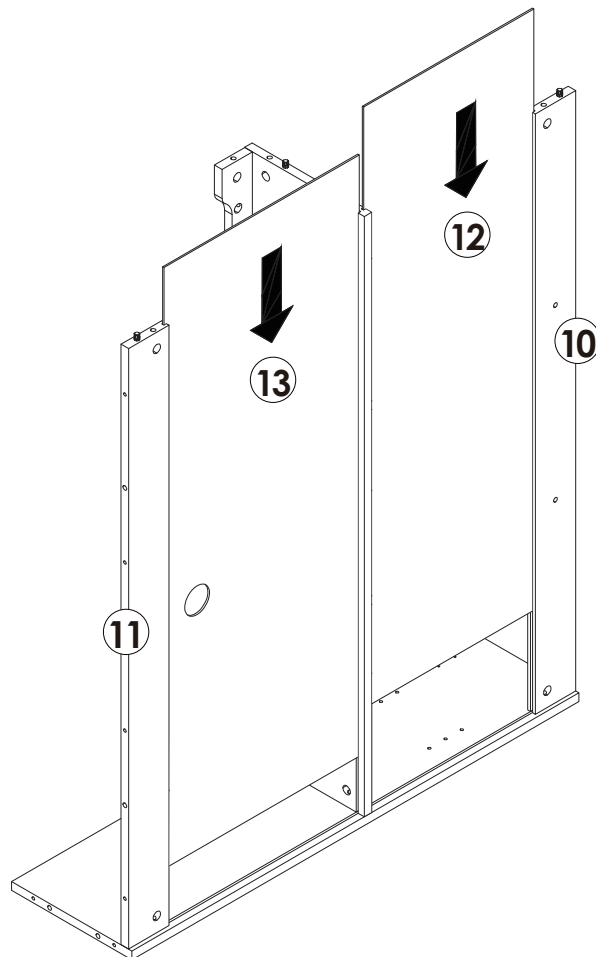
Assembly Steps(EN) / Montageschritte(DE)

STEP 7



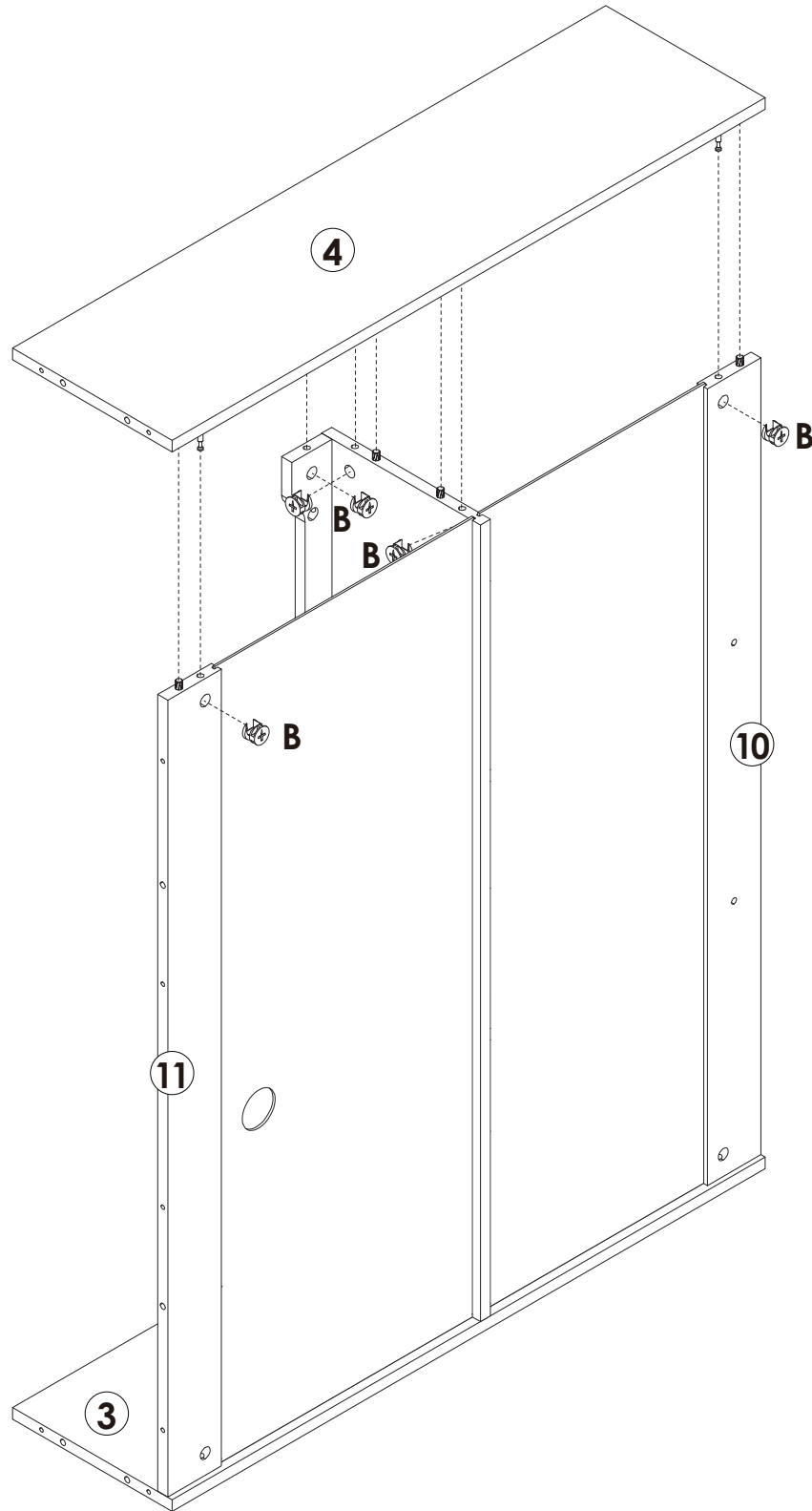
B x 5PCS

STEP 8

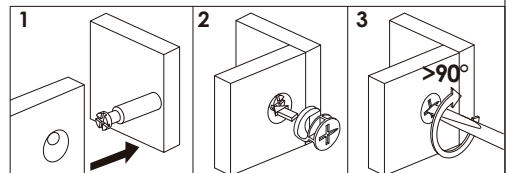


Assembly Steps(EN) / Montageschritte(DE)

STEP 9



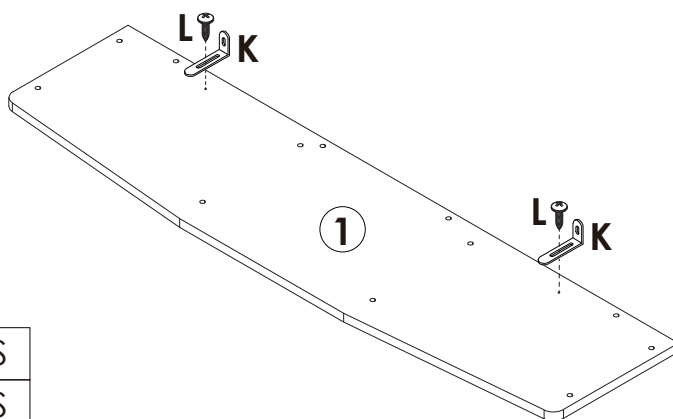
B x 5PCS





Assembly Steps(EN) / Montageschritte(DE)

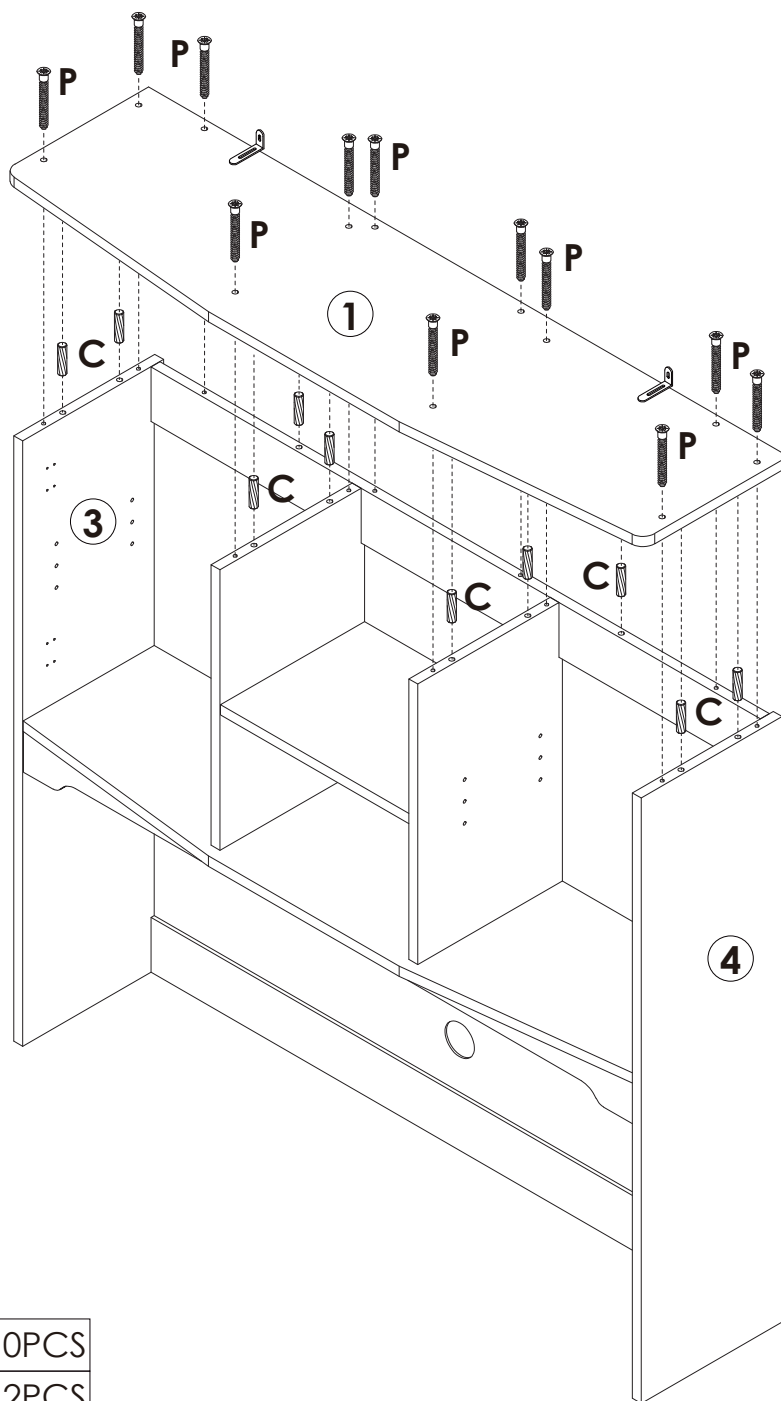
STEP 10



Lock the long side of the "K" L-shaped metal plate to the ① board with the "L" short screw



	K x 2PCS
	L x 2PCS

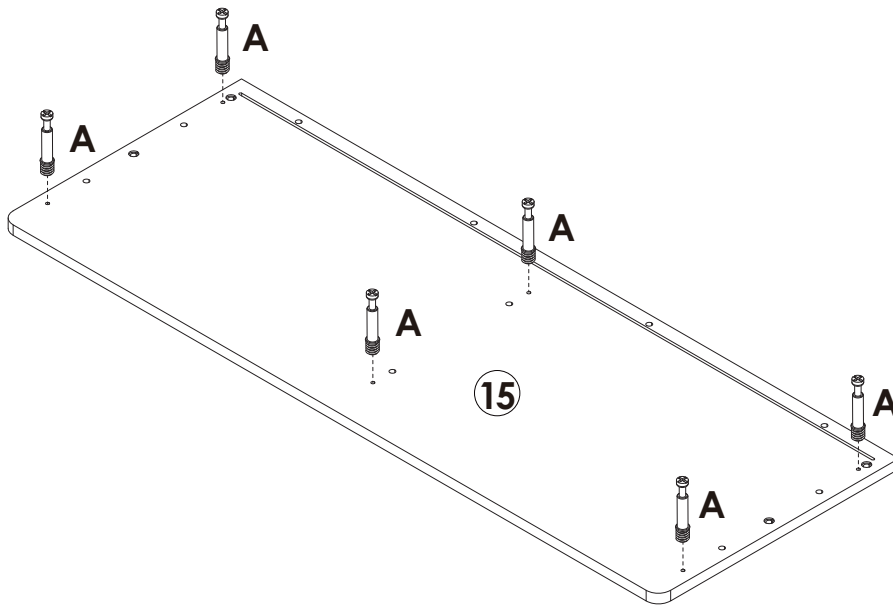
STEP 11



	C x 10PCS
	P x 12PCS

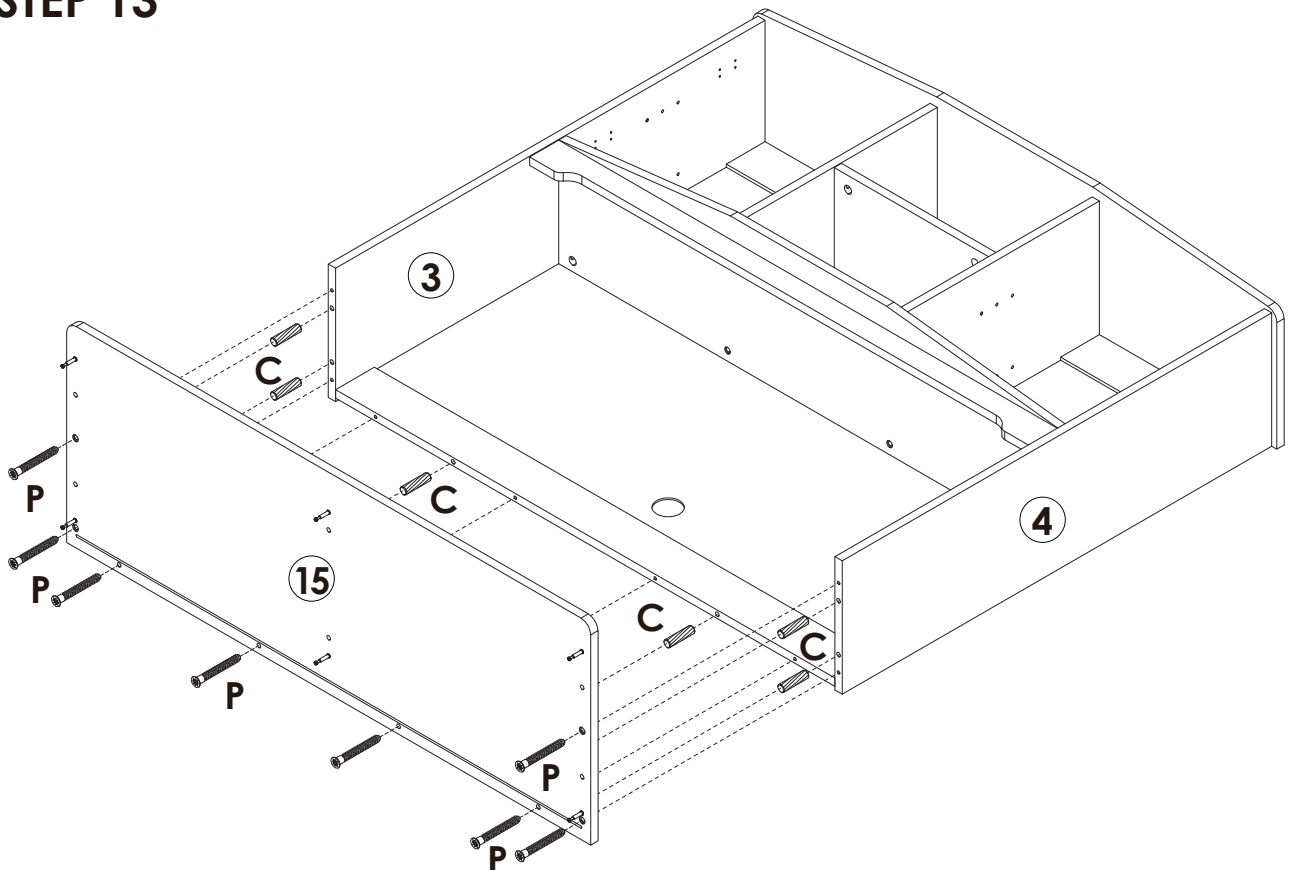
Assembly Steps(EN) / Montageschritte(DE)

STEP 12



 A x 6PCS

STEP 13

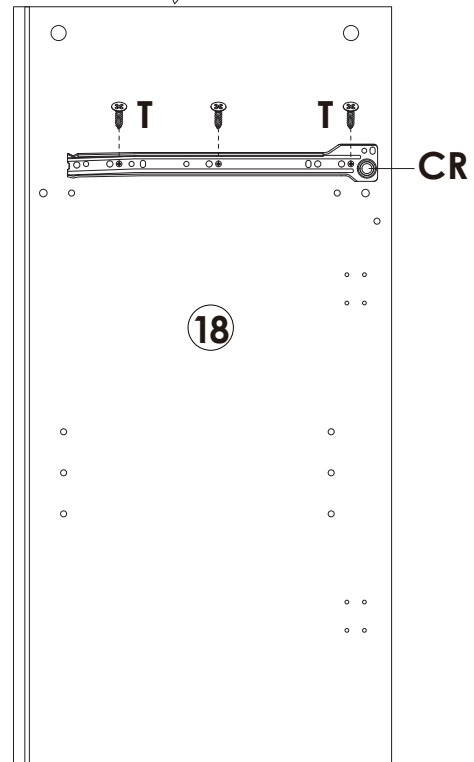
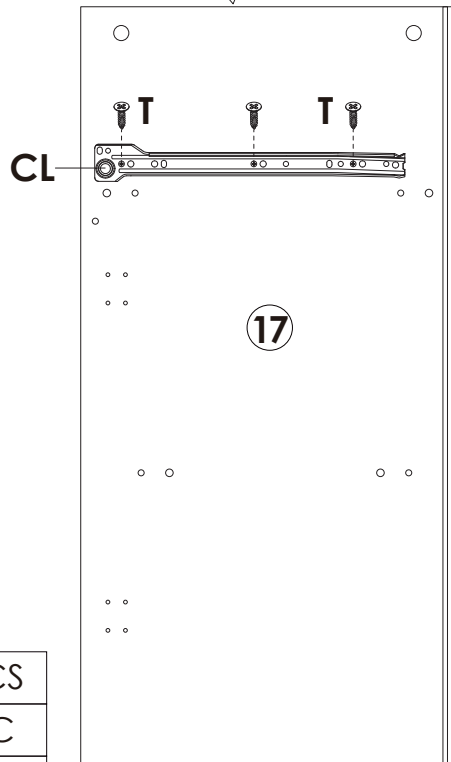
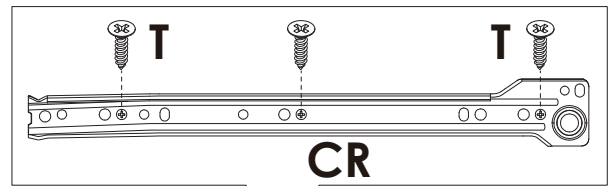
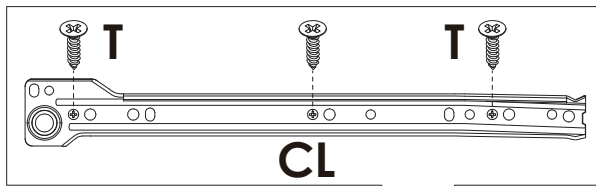





 C x 6PCS

 P x 8PCS

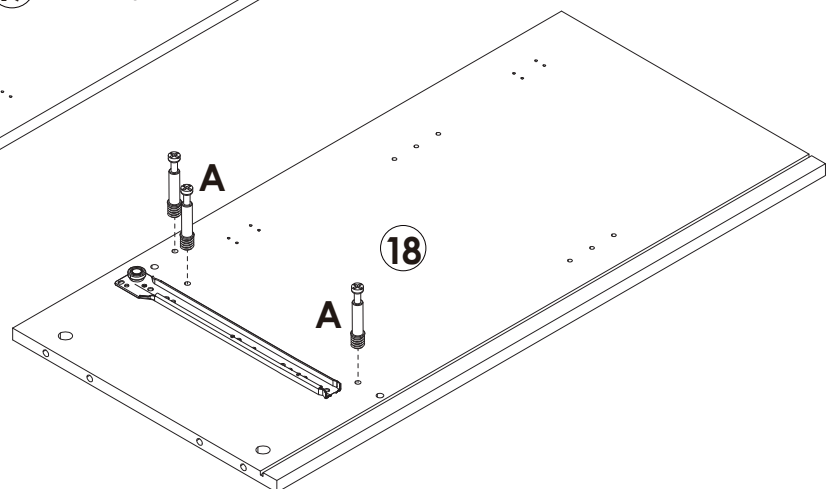
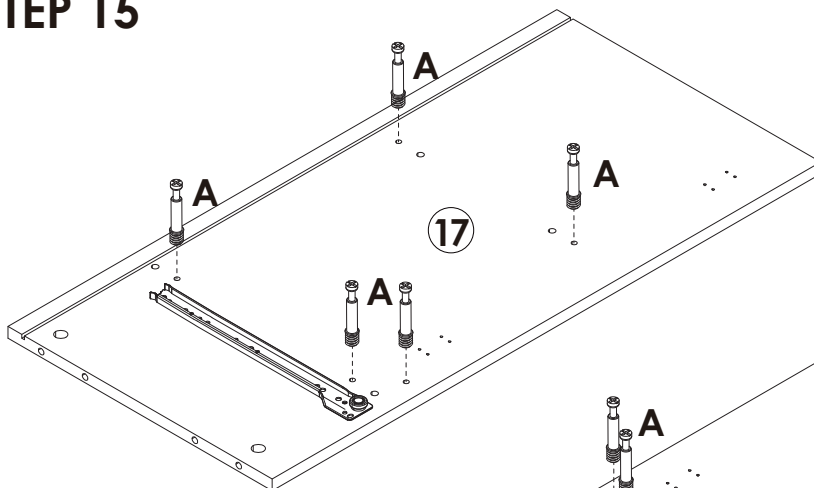
Assembly Steps(EN) / Montageschritte(DE)

STEP 14



	T x 6PCS
	CL x 1PC
	CR x 1PC

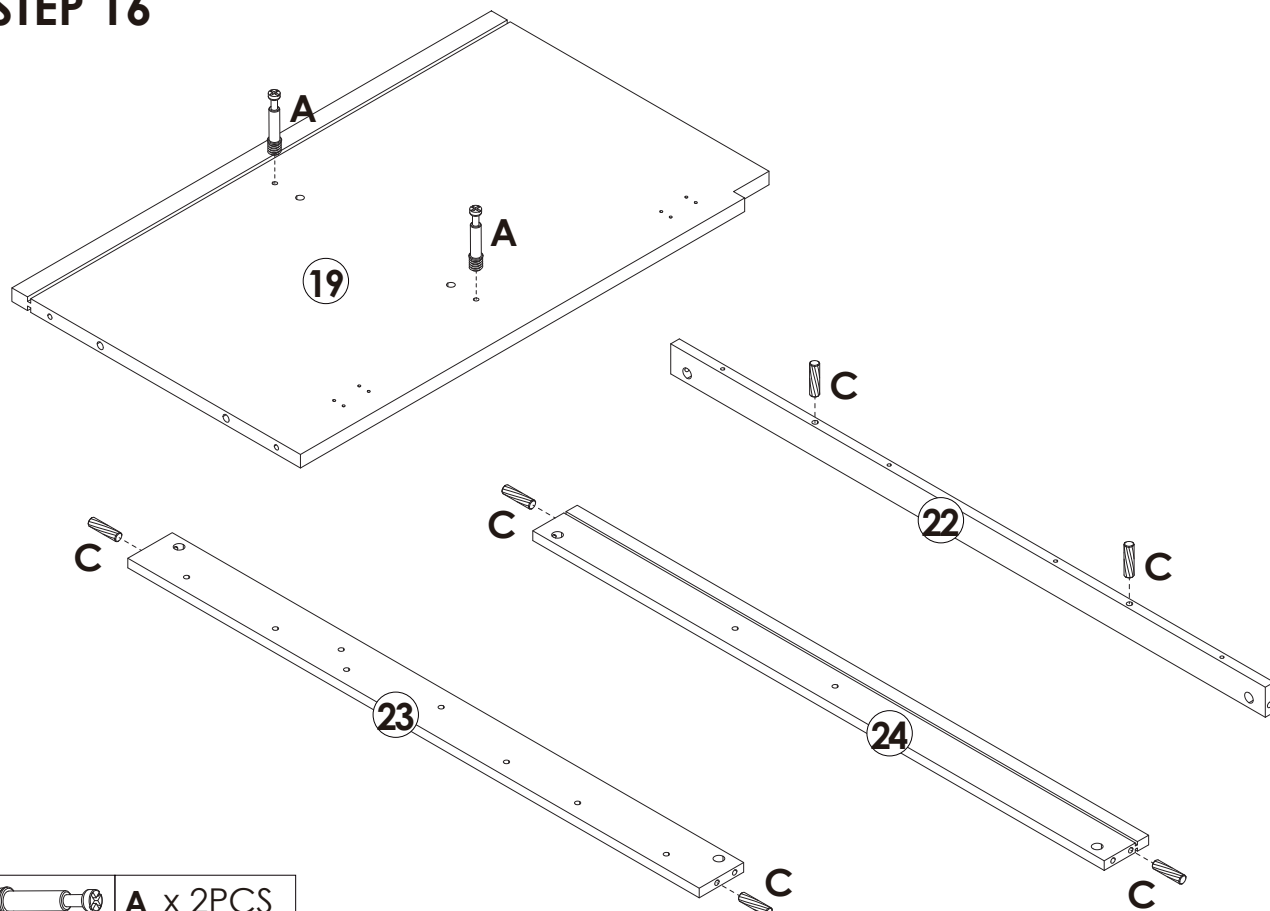
STEP 15

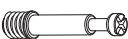


	A x 8PCS
---	-----------------

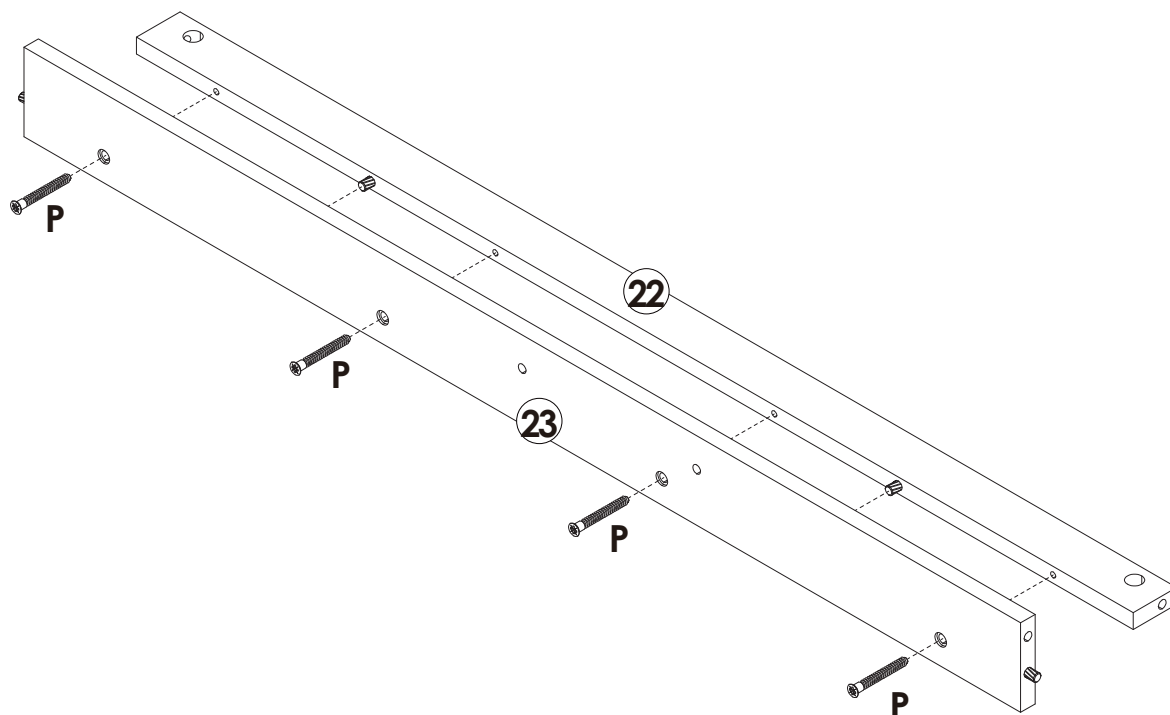
Assembly Steps(EN) / Montageschritte(DE)

STEP 16



	A x 2PCS
	C x 6PCS

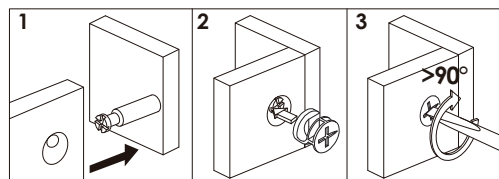
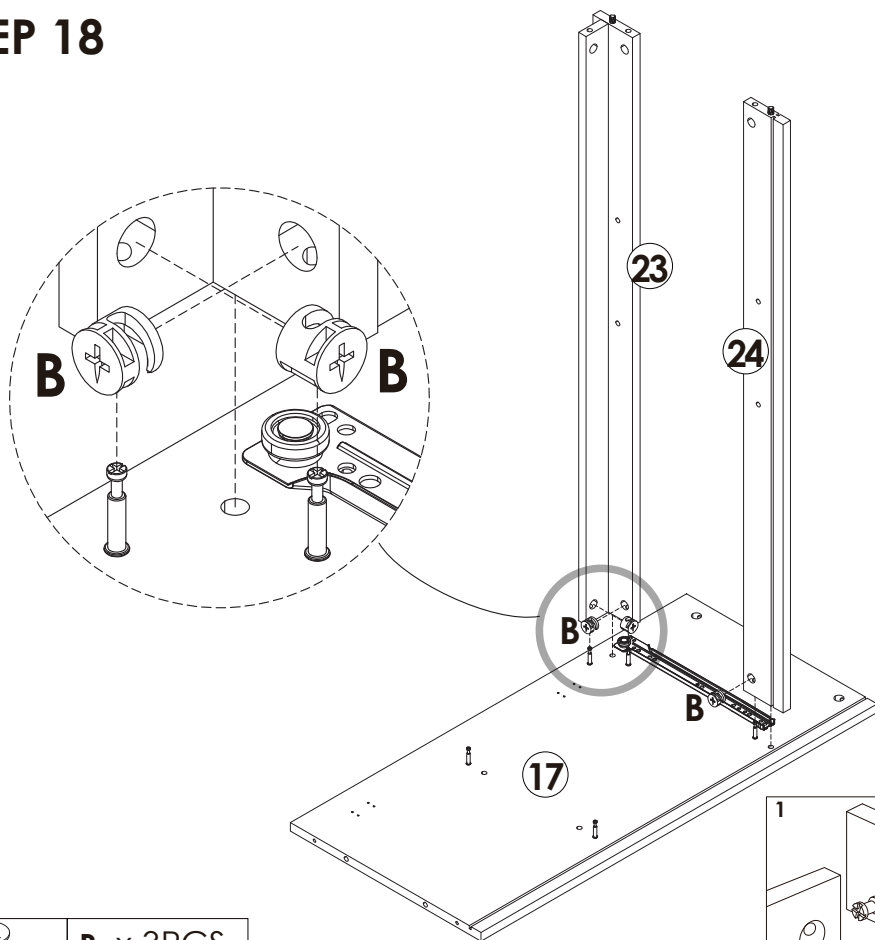
STEP 17



	P x 4PCS
---	----------

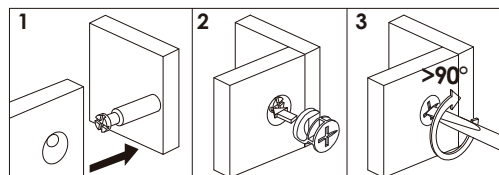
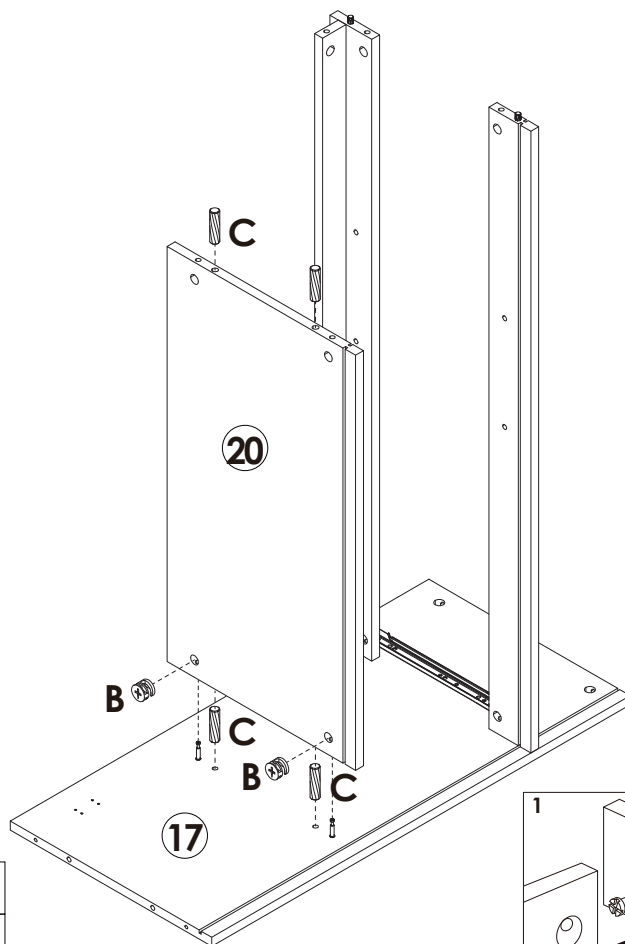
Assembly Steps(EN) / Montageschritte(DE)

STEP 18



B x 3PCS

STEP 19



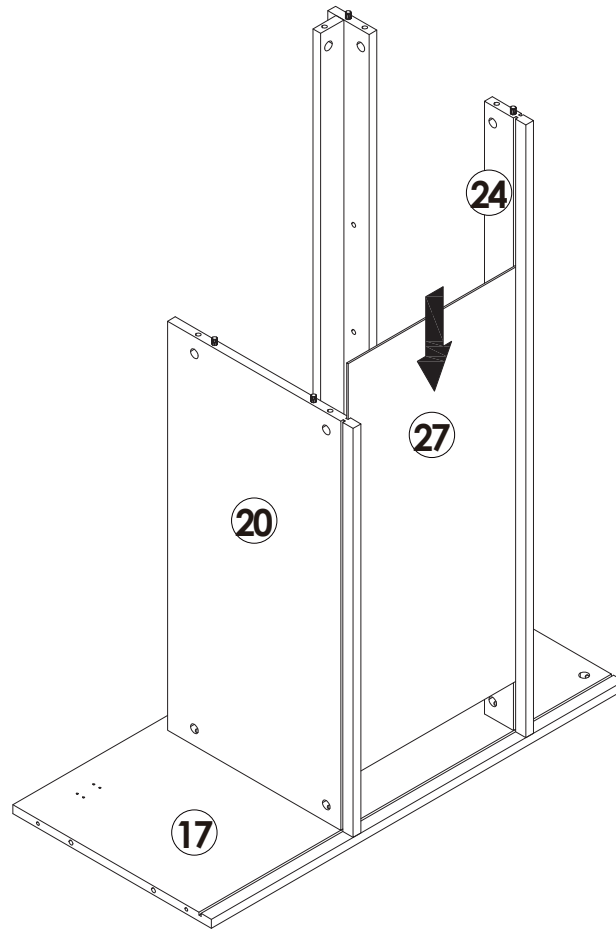
B x 2PCS



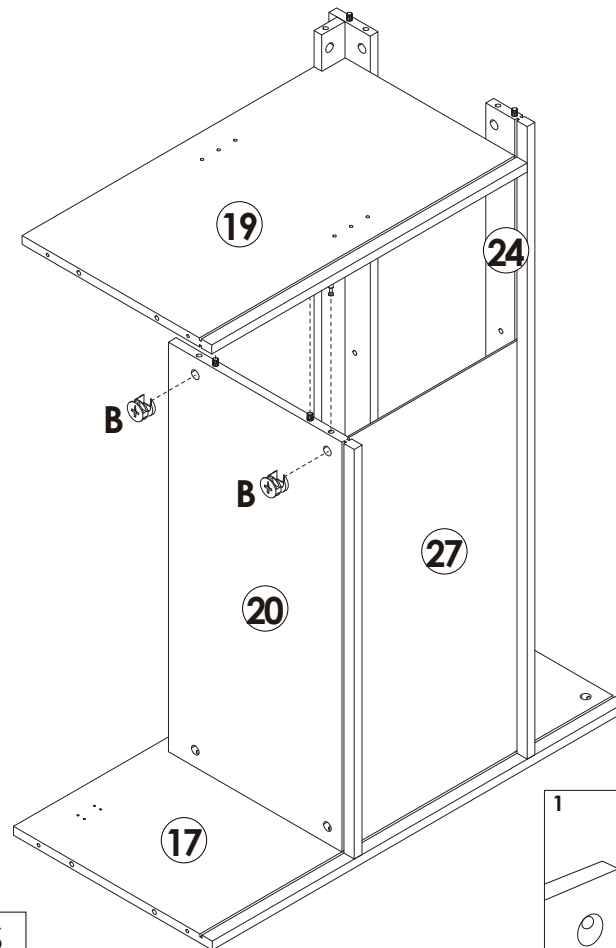
C x 4PCS

Assembly Steps(EN) / Montageschritte(DE)

STEP 20



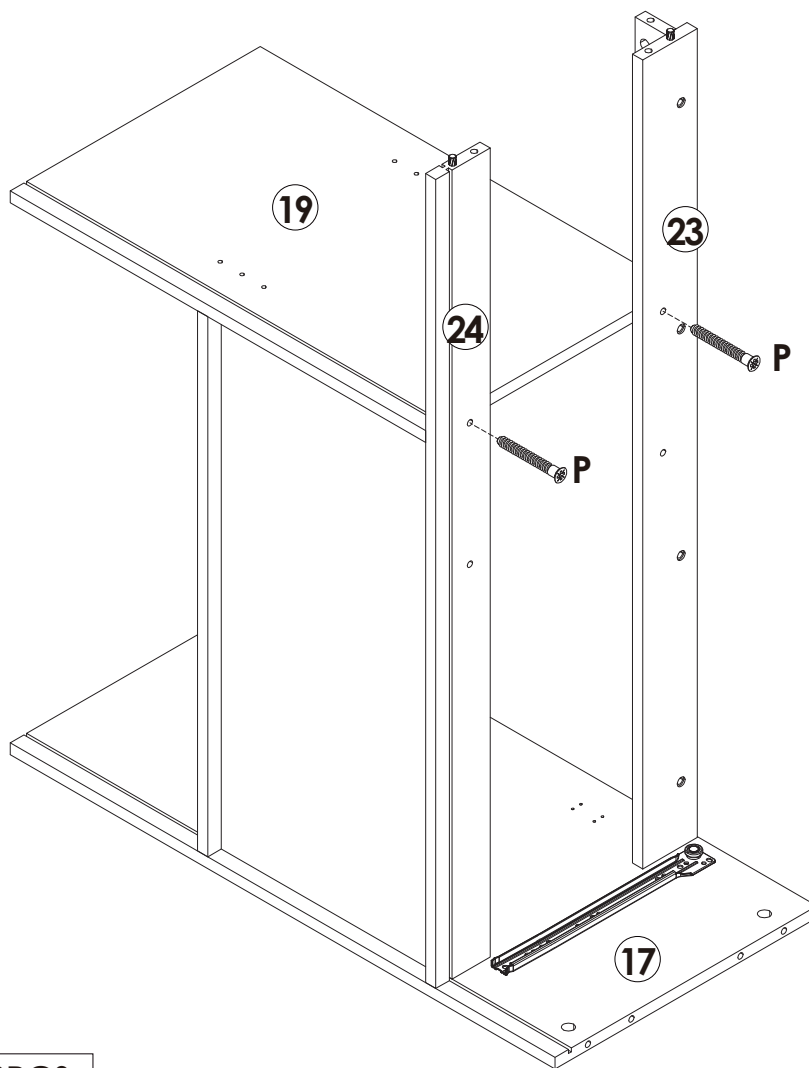
STEP 21



B x 2PCS

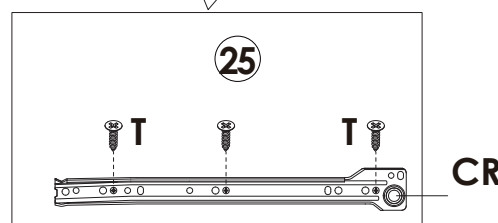
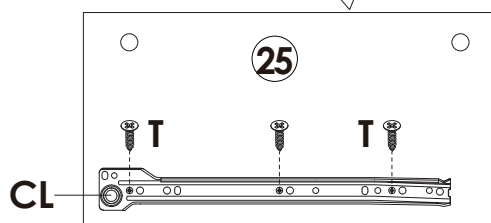
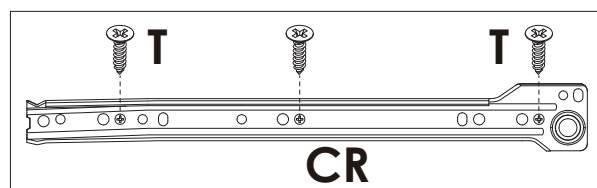
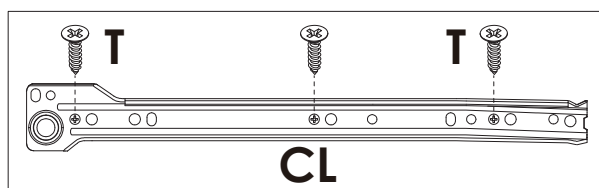
Assembly Steps(EN) / Montageschritte(DE)




STEP 22



 P x 2PCS

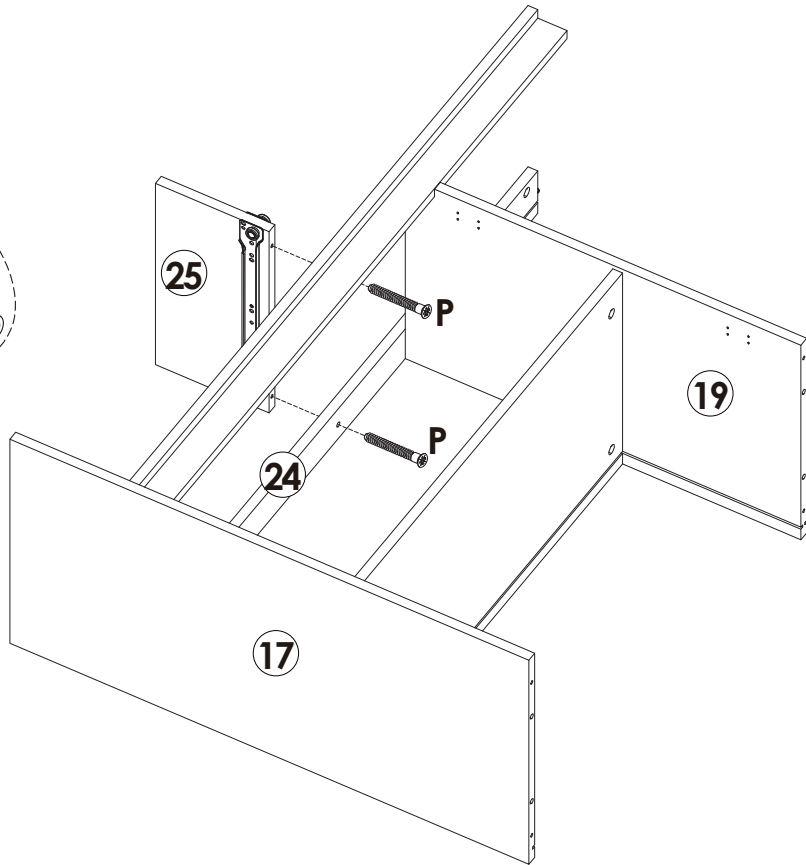
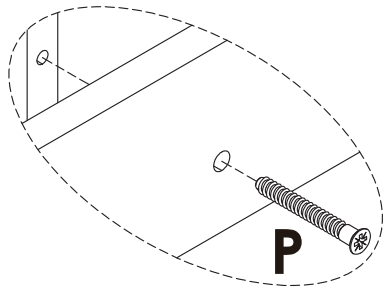
STEP 23



	T x 6PCS
	CL x 1PC
	CR x 1PC

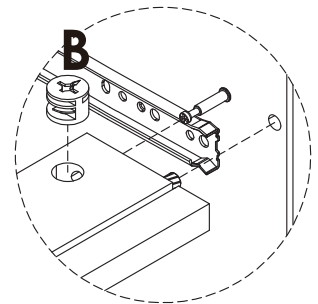
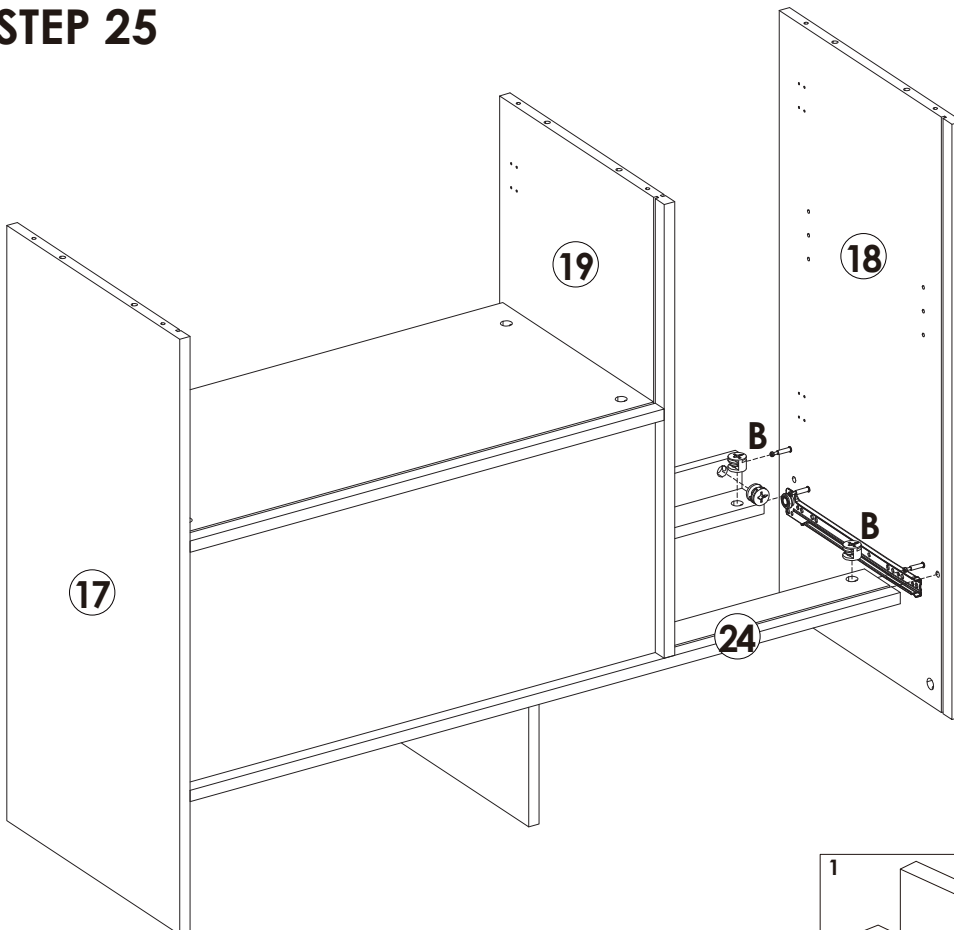
Assembly Steps(EN) / Montageschritte(DE)

STEP 24

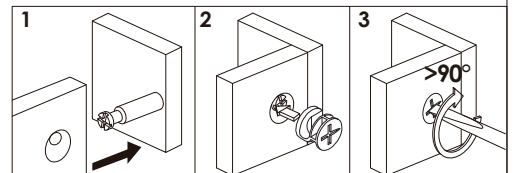


P x 2PCS

STEP 25

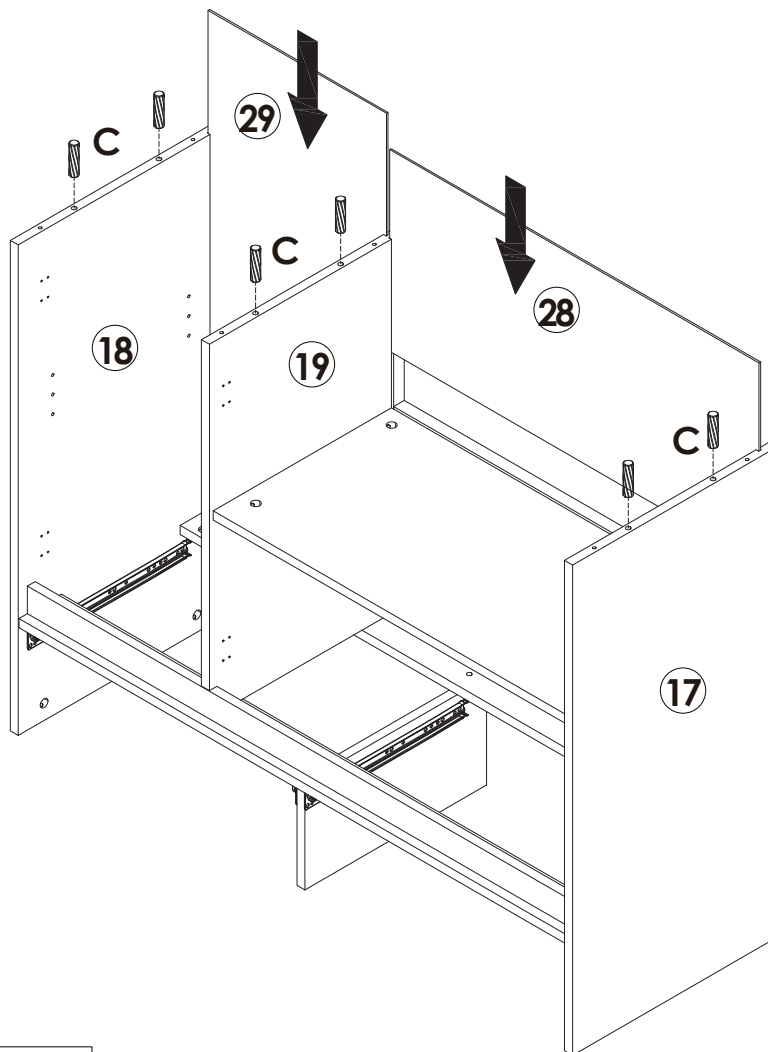


B x 3PCS



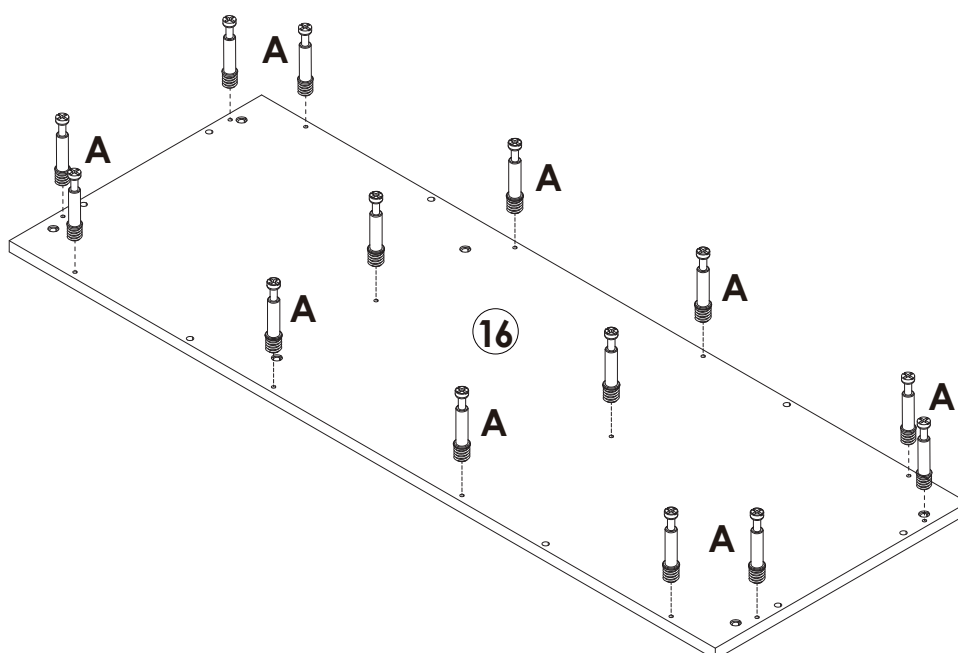
Assembly Steps(EN) / Montageschritte(DE)

STEP 26



 C x 6PCS

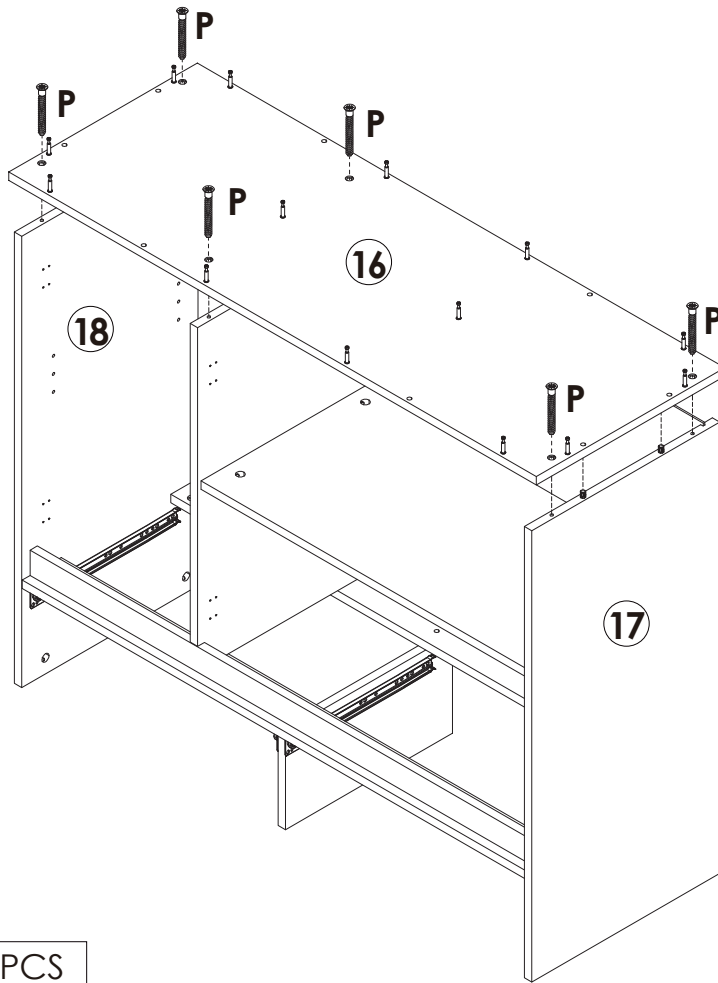
STEP 27



 A x 14PCS

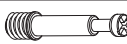
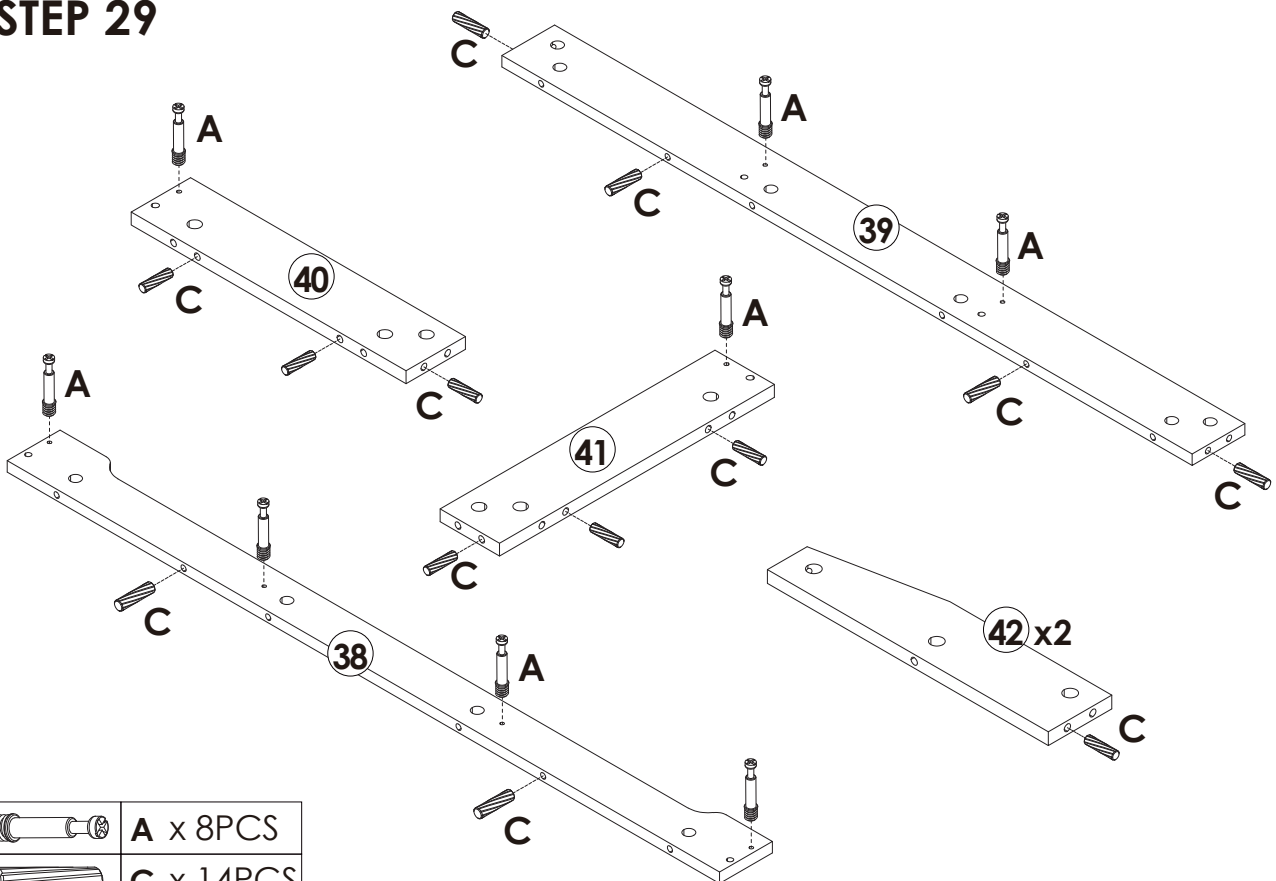
Assembly Steps(EN) / Montageschritte(DE)

STEP 28



P x 6PCS

STEP 29



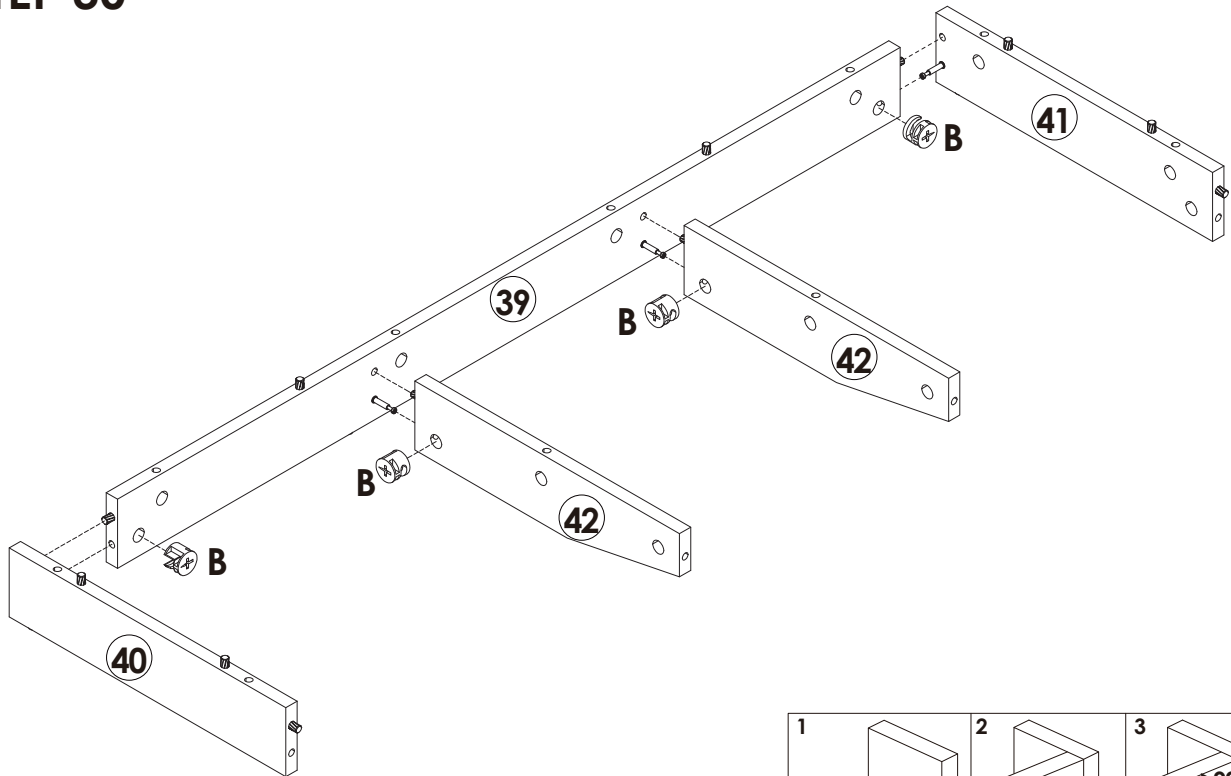
A x 8PCS



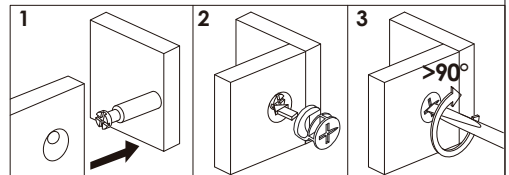
C x 14PCS

Assembly Steps(EN) / Montageschritte(DE)

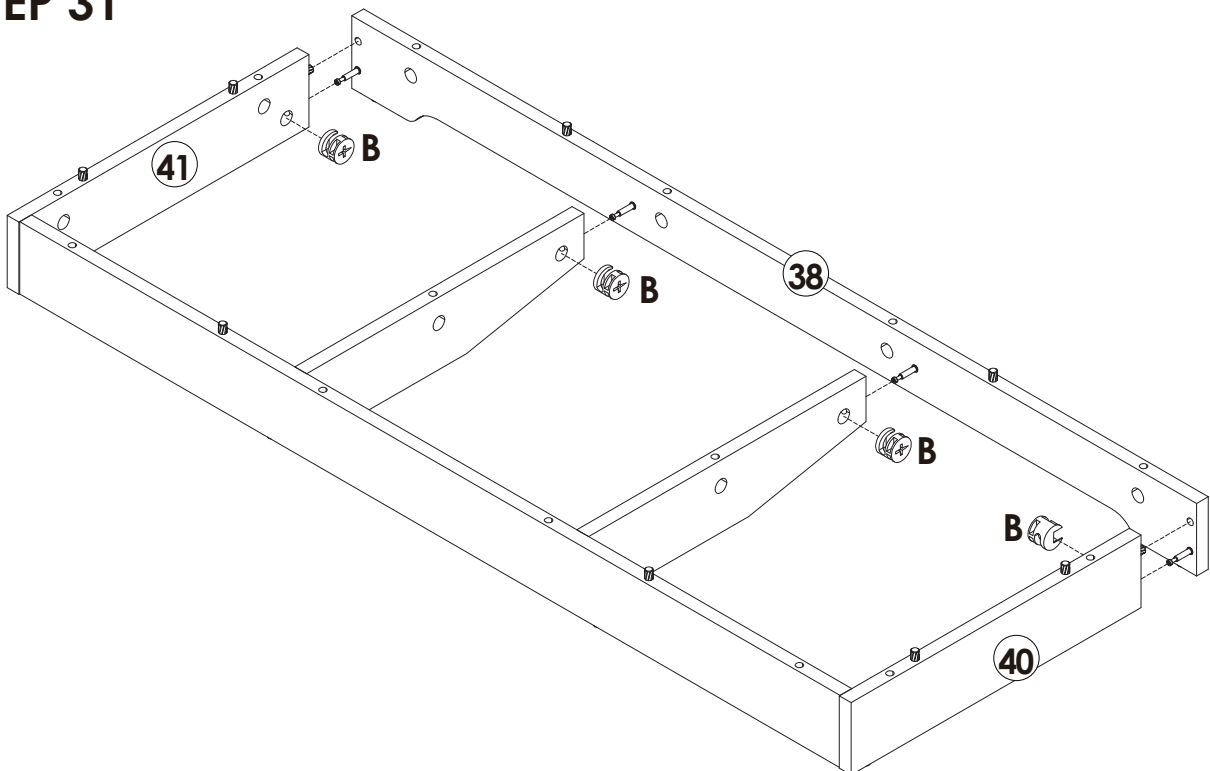
STEP 30



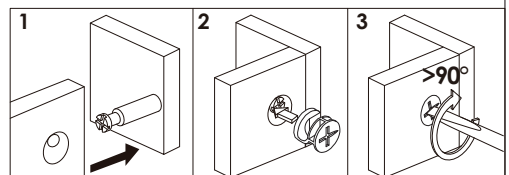
B x 4PCS



STEP 31

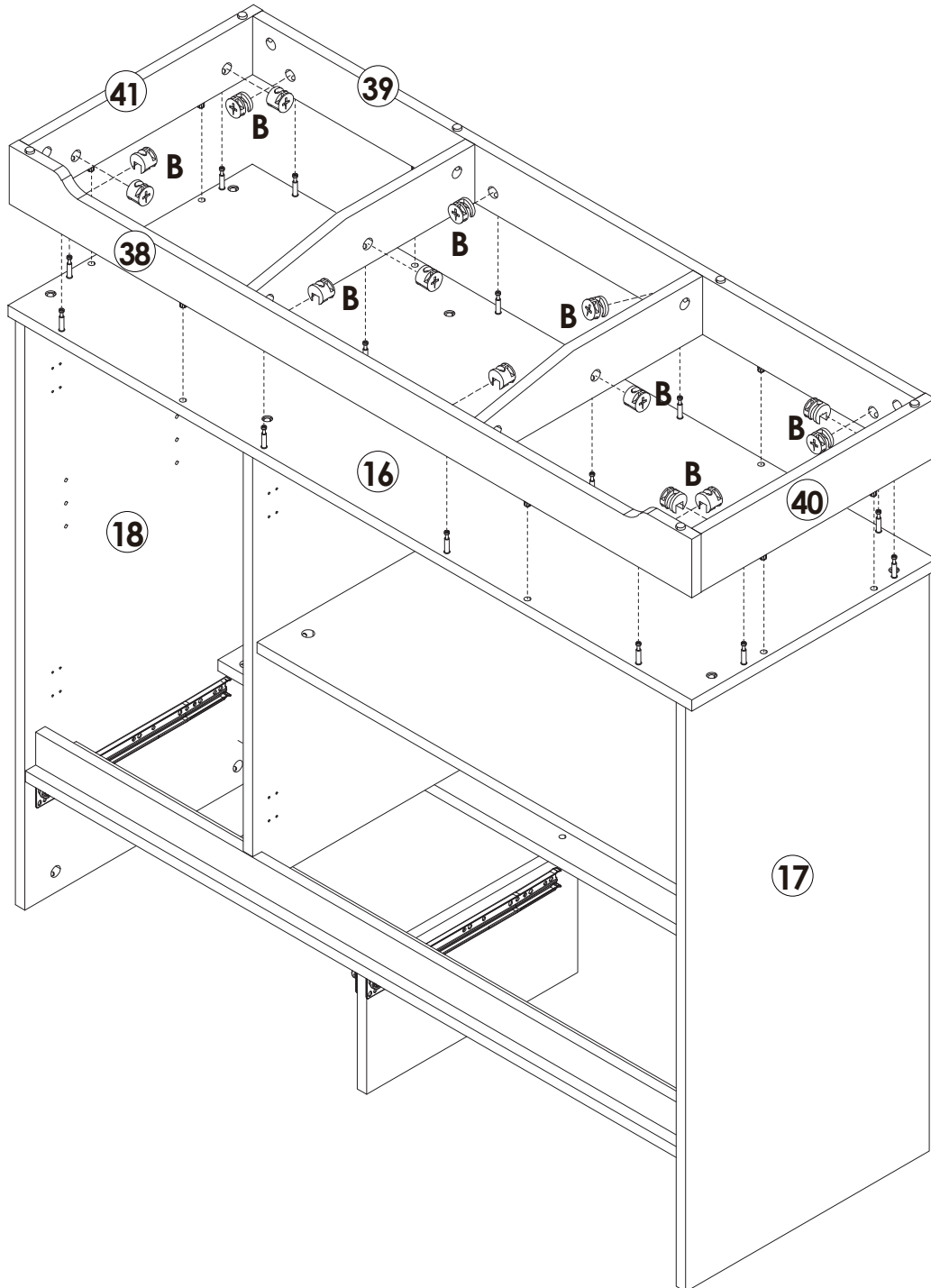


B x 4PCS

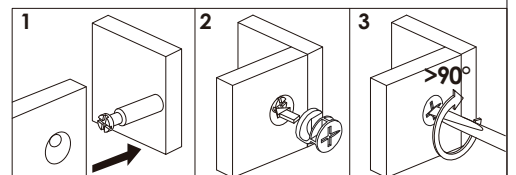


Assembly Steps(EN) / Montageschritte(DE)

STEP 32

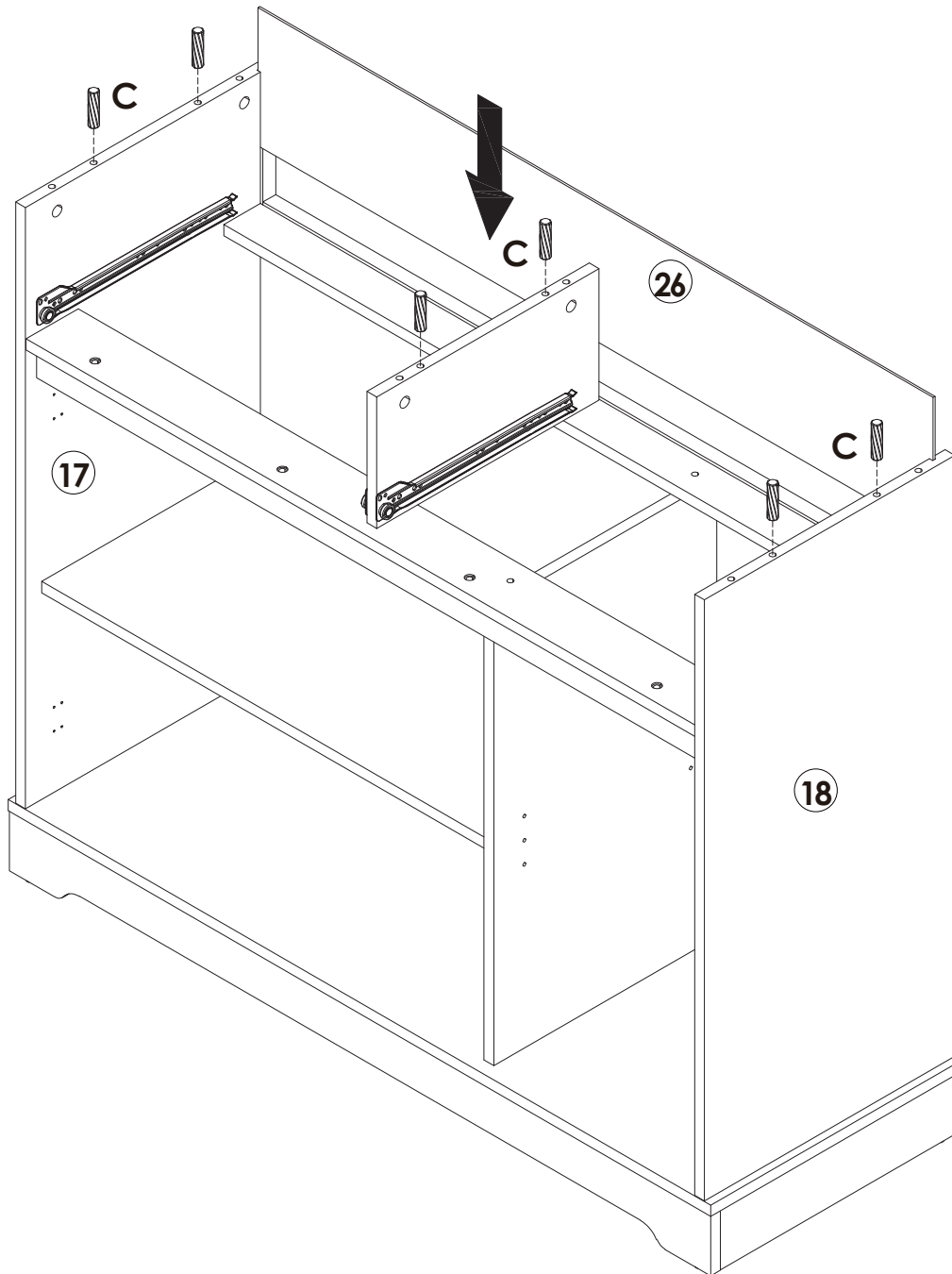


B x 14PCS



Assembly Steps(EN) / Montageschritte(DE)

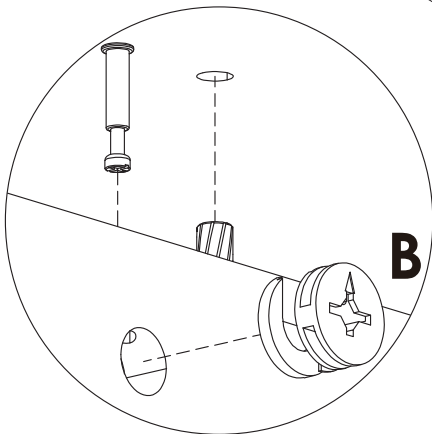
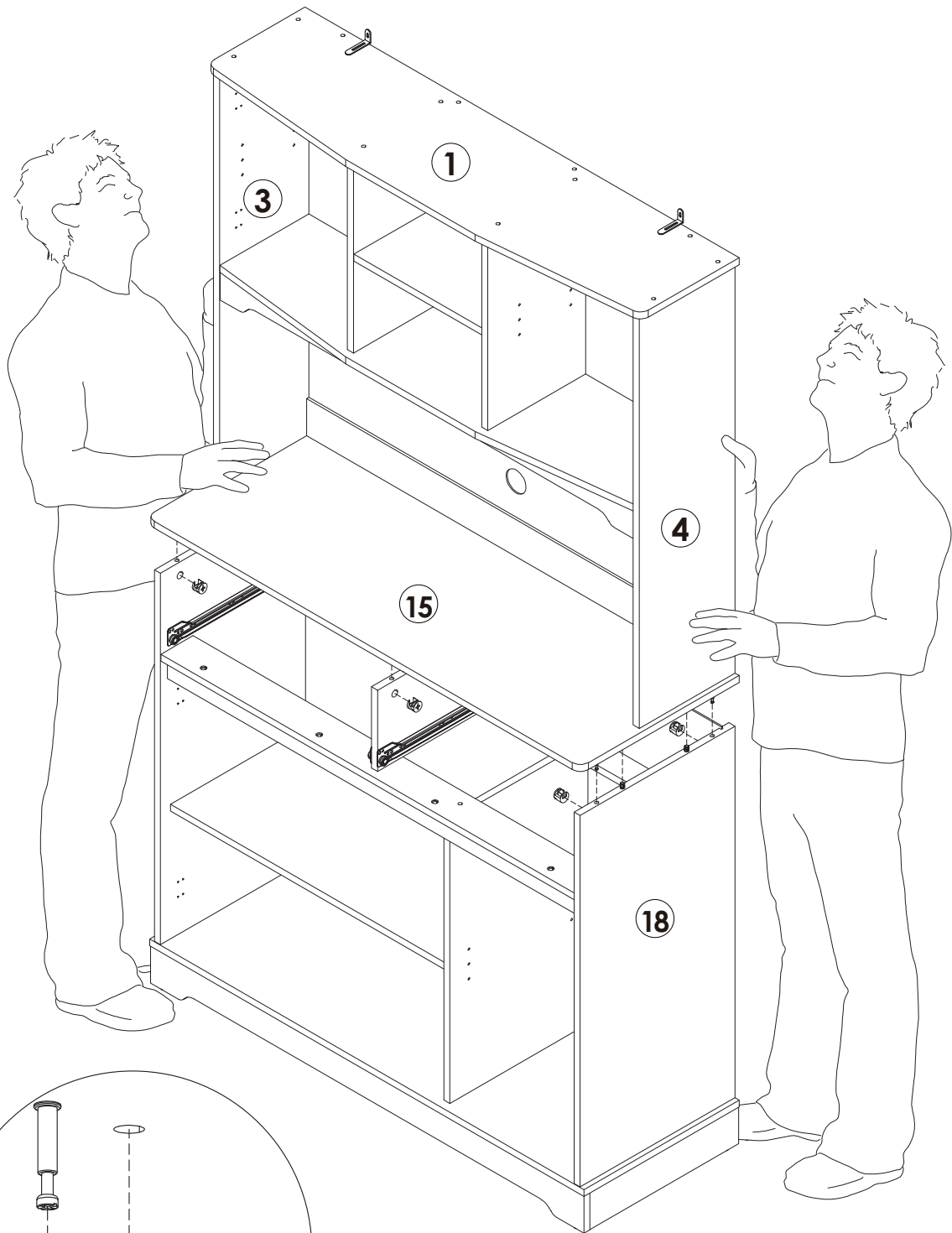
STEP 33



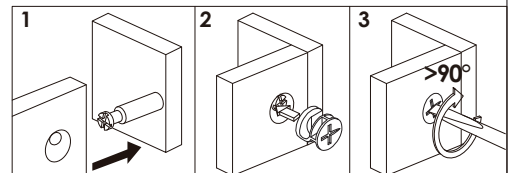
C x 6PCS

Assembly Steps(EN) / Montageschritte(DE)

STEP 34

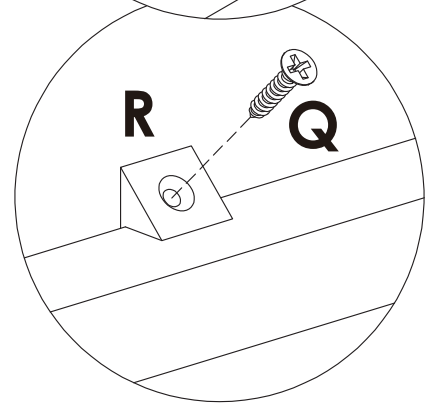
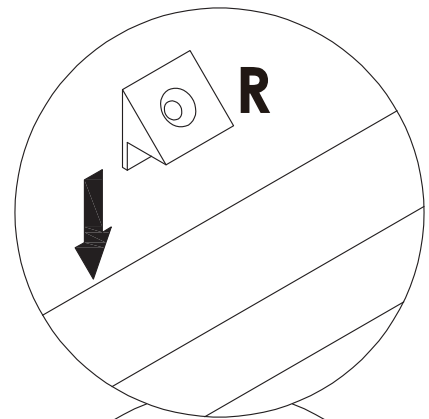
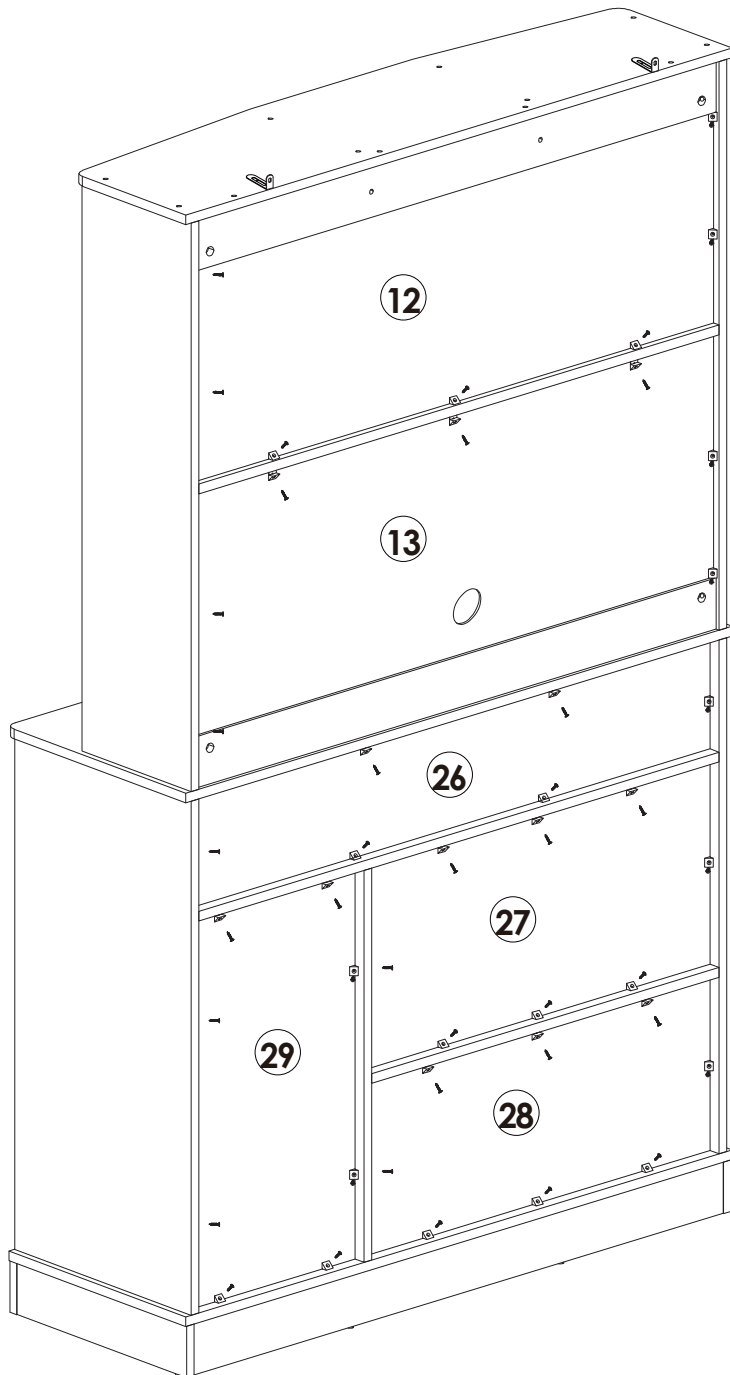




B x 6PCS



Assembly Steps(EN) / Montageschritte(DE)

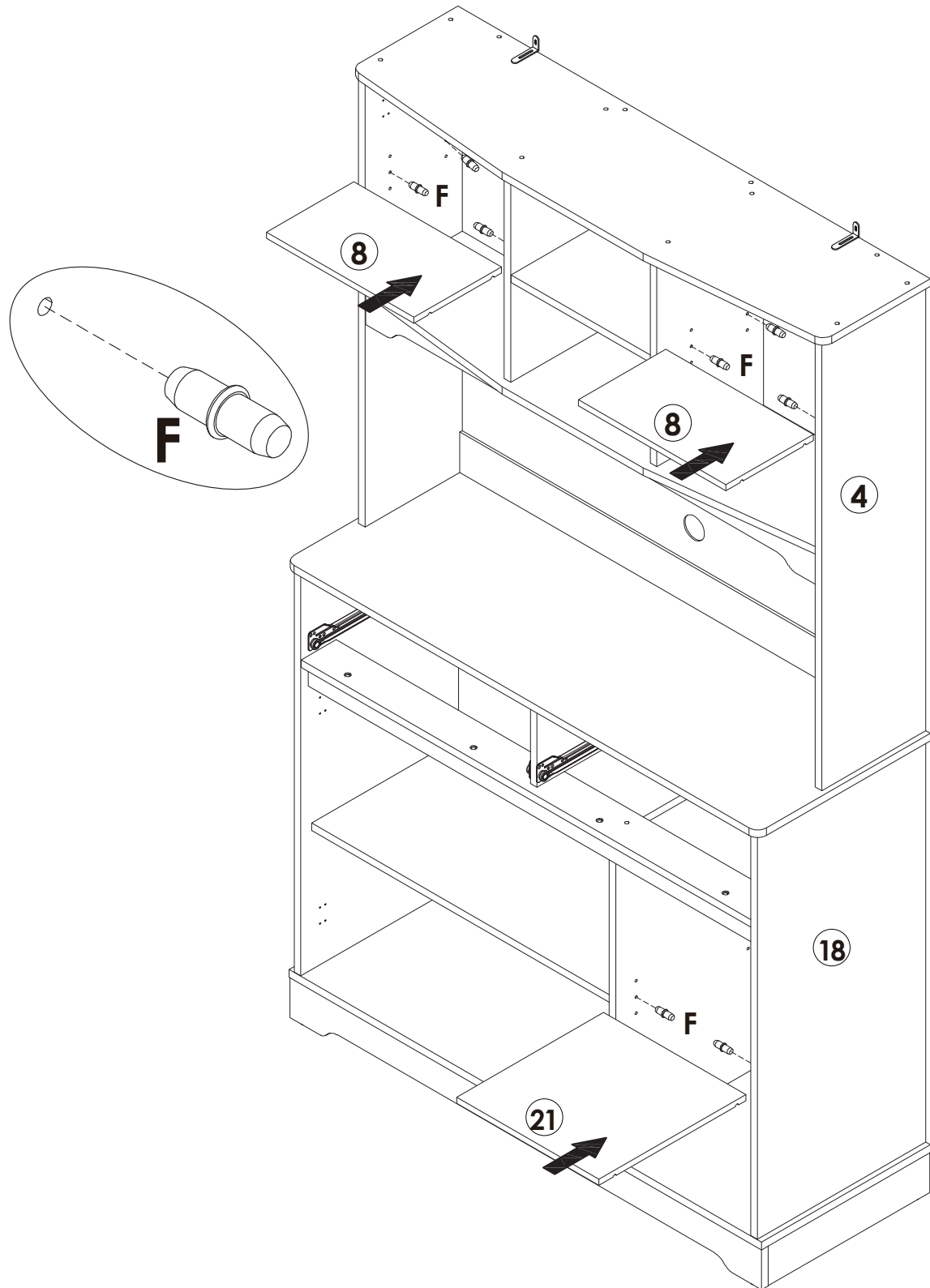
STEP 35



	R x 44PCS
	Q x 44PCS

Assembly Steps(EN) / Montageschritte(DE)

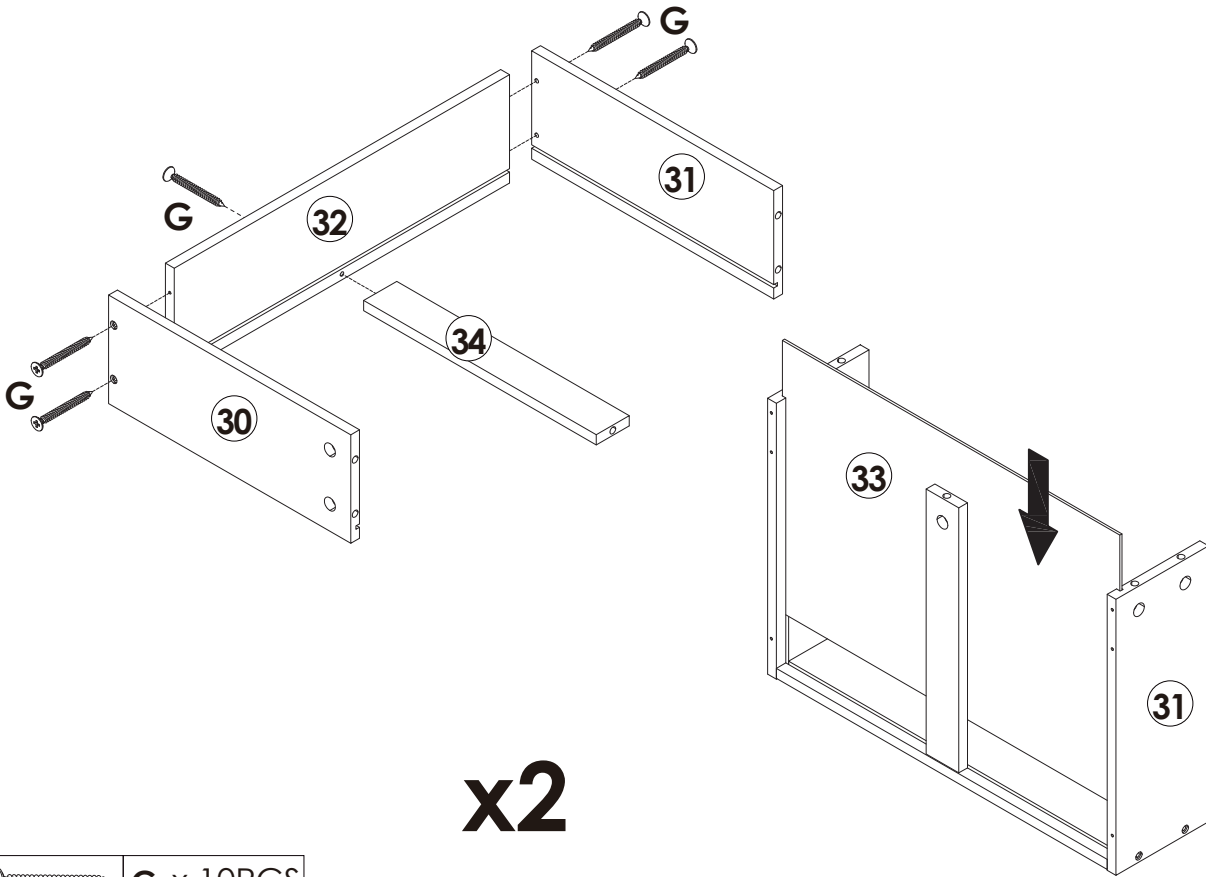
STEP 36



F x 12PCS

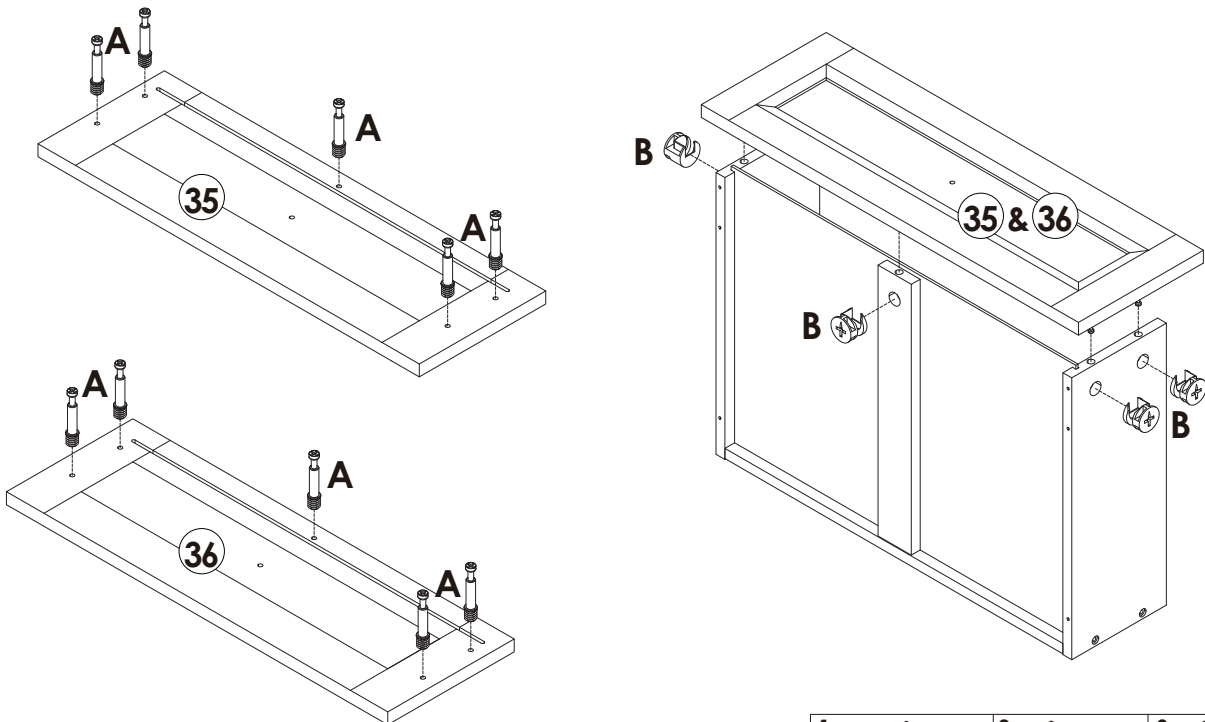
Assembly Steps(EN) / Montageschritte(DE)

STEP 37




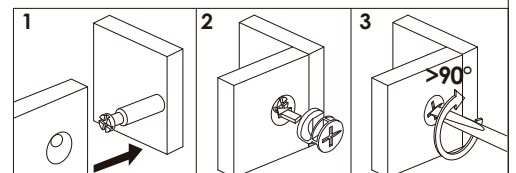
 **G x 10PCS**

STEP 38



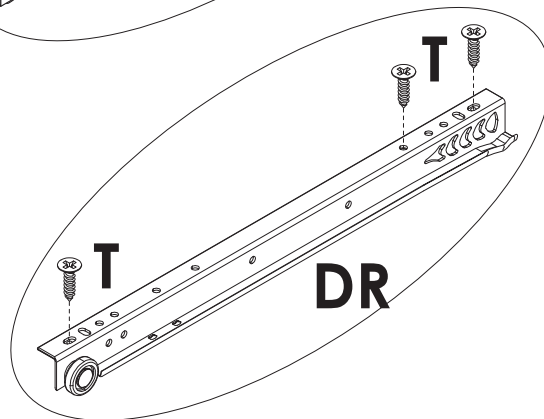
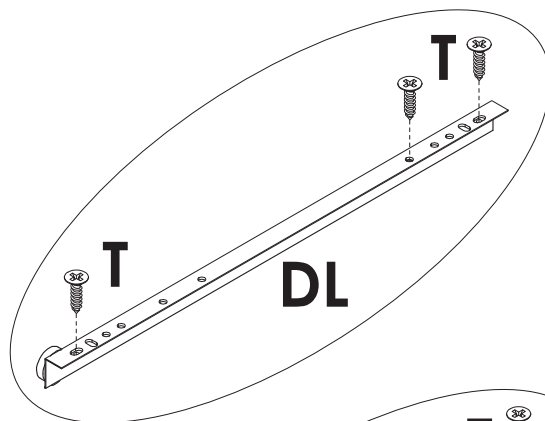
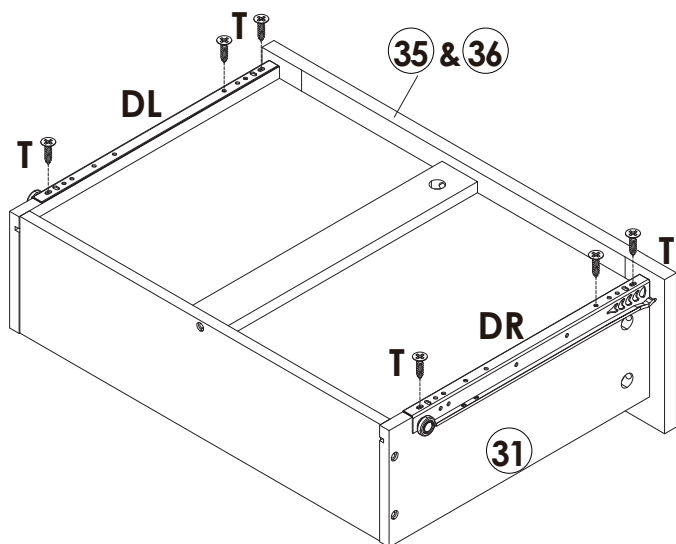
 **A x 10PCS**




 **B x 10PCS**



Assembly Steps(EN) / Montageschritte(DE)

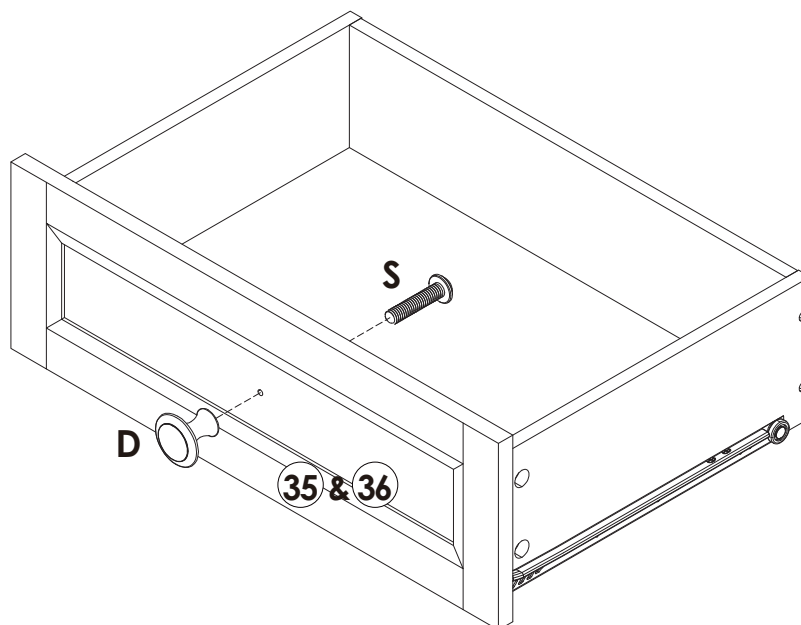
STEP 39





	T x 12PCS
	DL x 2PCS
	DR x 2PCS

x2

STEP 40

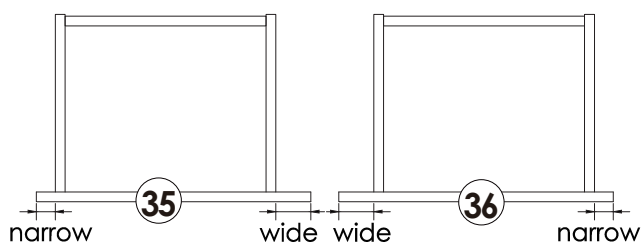


	D x 2PCS
	S x 2PCS

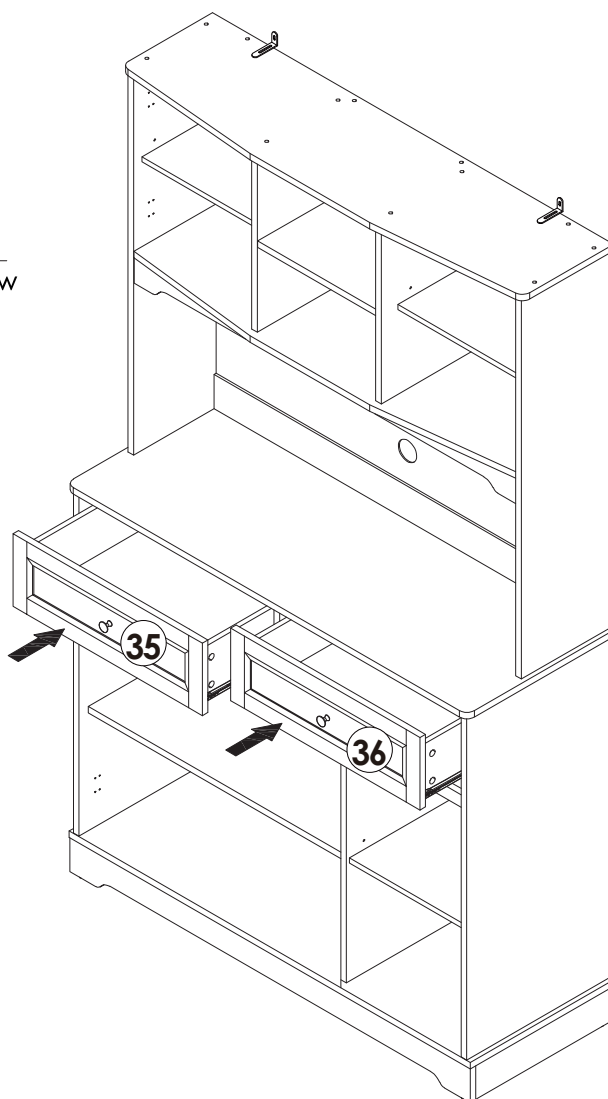
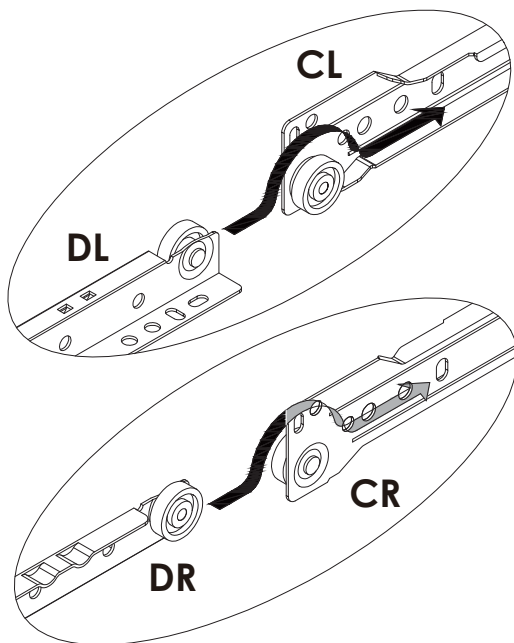
x2

Assembly Steps(EN) / Montageschritte(DE)

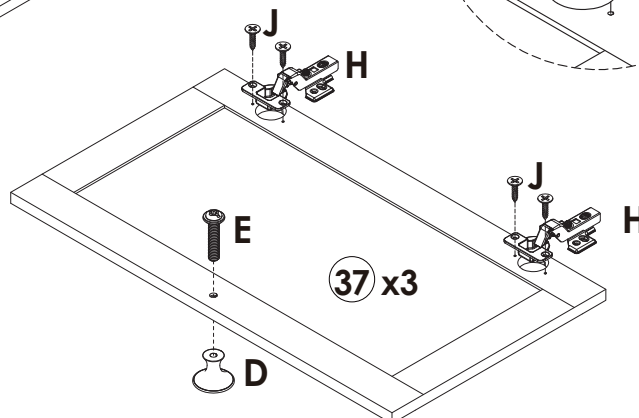
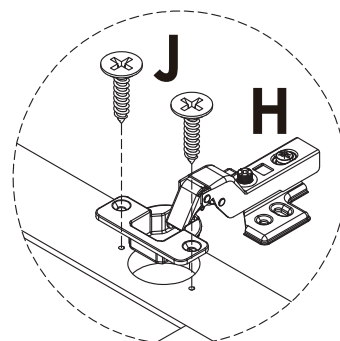
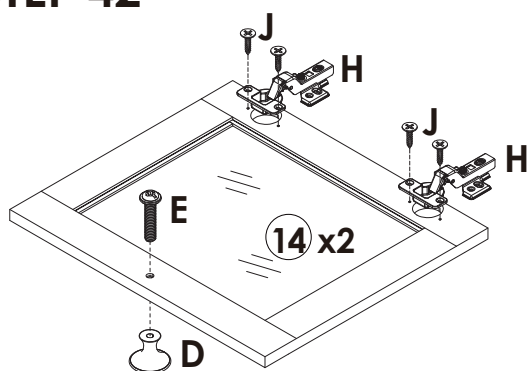
STEP 41







Please identify #35 and #36.
Make sure #35 is for left drawer
and #36 is for right drawer.



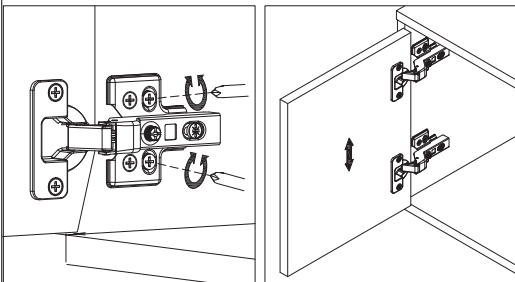
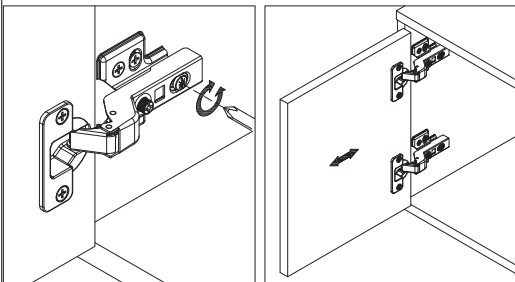
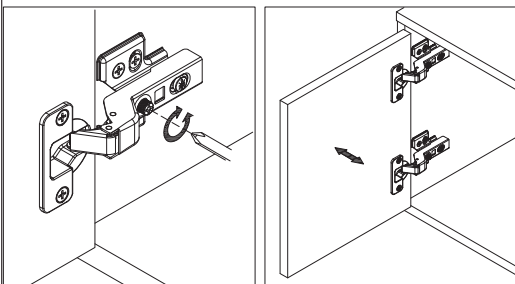
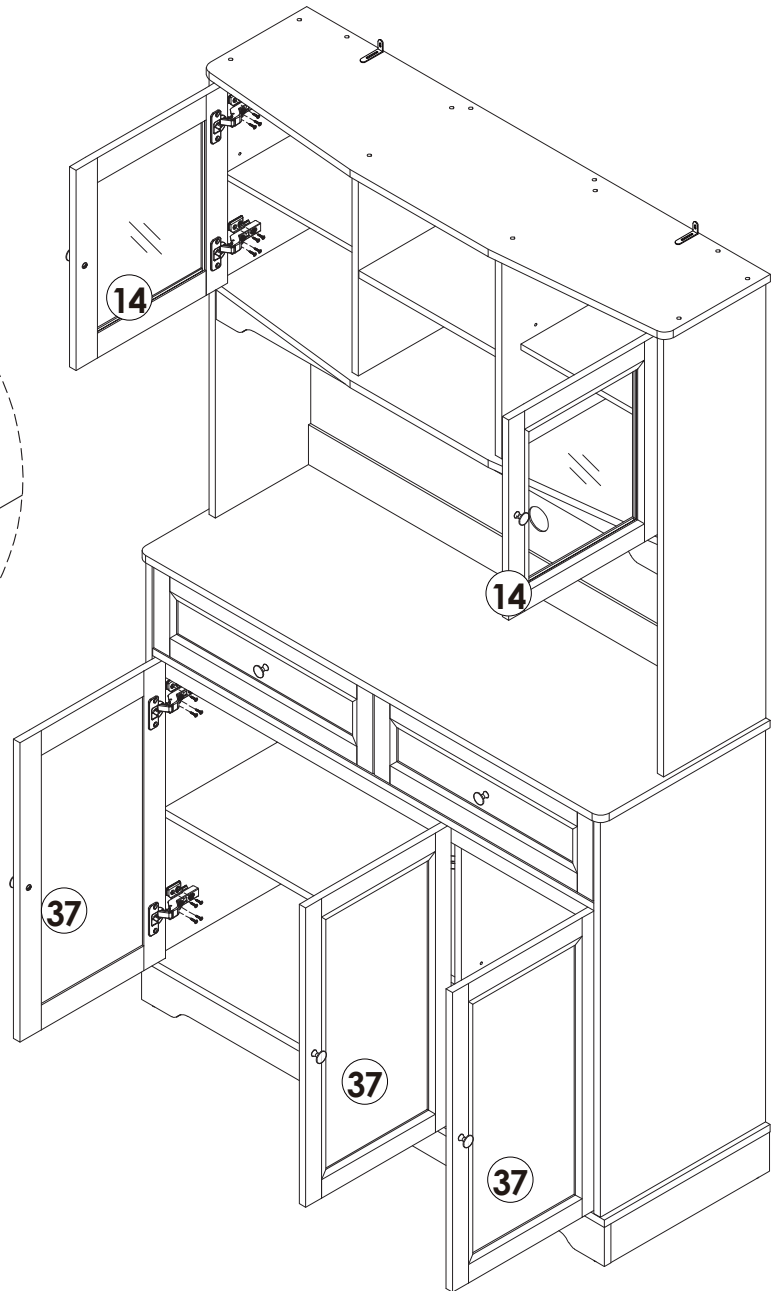
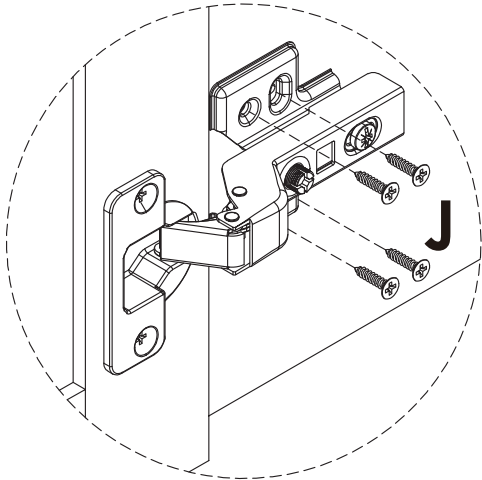
STEP 42



	D x 5PCS
	E x 5PCS
	H x 10PCS
	J x 20PCS

Assembly Steps(EN) / Montageschritte(DE)

STEP 43

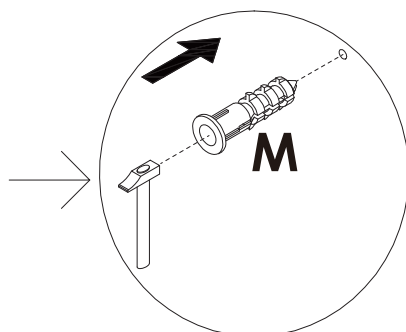
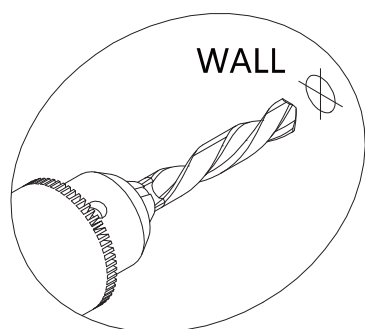


J x 40PCS

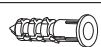
Assembly Steps(EN) / Montageschritte(DE)

STEP 44

Drill 2 holes on the wall at the required position for anti-falling device installation.



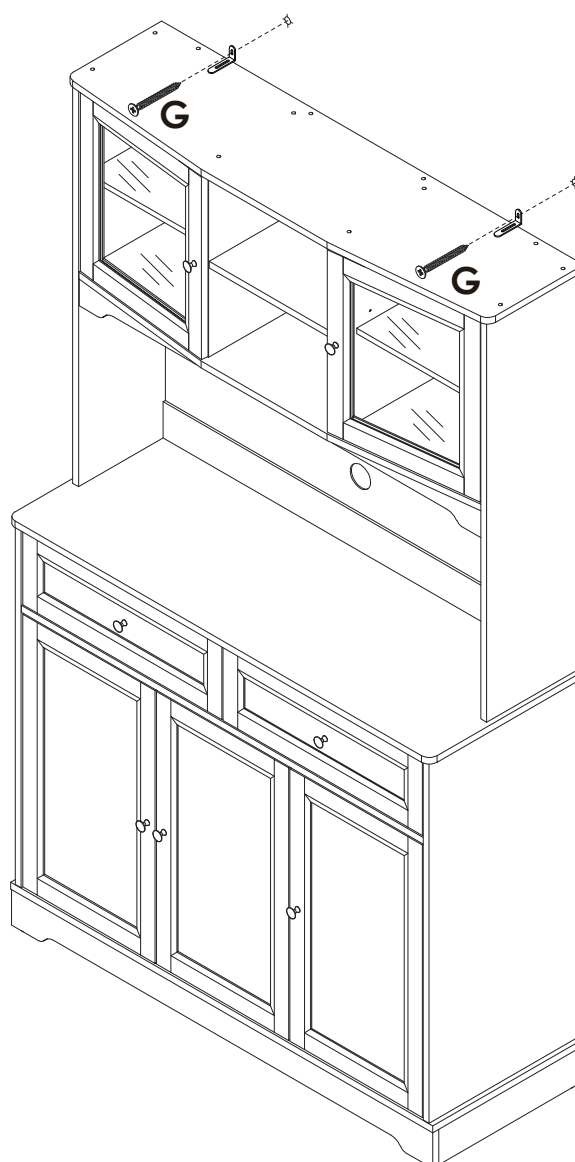
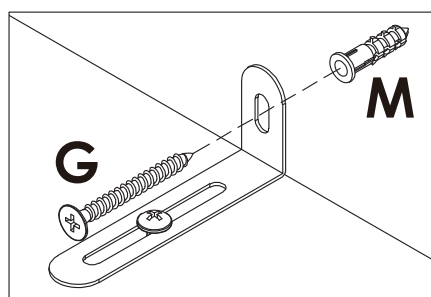
WALL



M x 2PCS

STEP 45

Move the cabinet to the required position, use the "G" long screw to fix the cabinet to the wall.



WALL

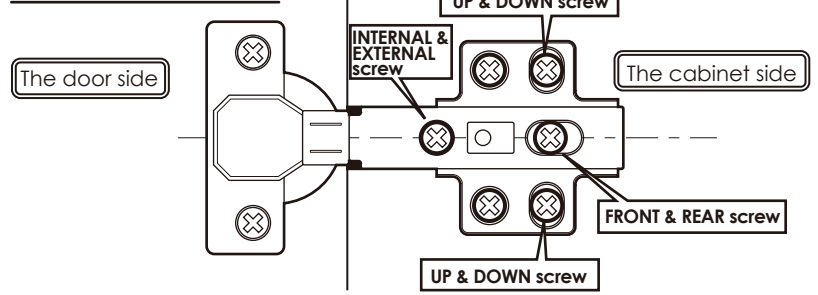


G x 2PCS

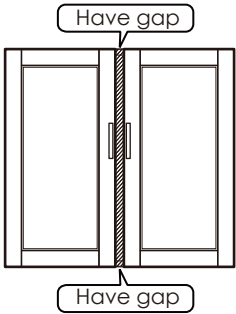
The ways to adjust the door

- Before adjusting the hinge, please check whether the cabinet is skewed.
- If the skew can not be repaired, please remove the anti-tipping device first, then adjust the cabinet to vertical position.
- Please adjust the hinge with the door open.
- Please operate it with more than 2 people, one person holds the door and the other one adjusts the screw.

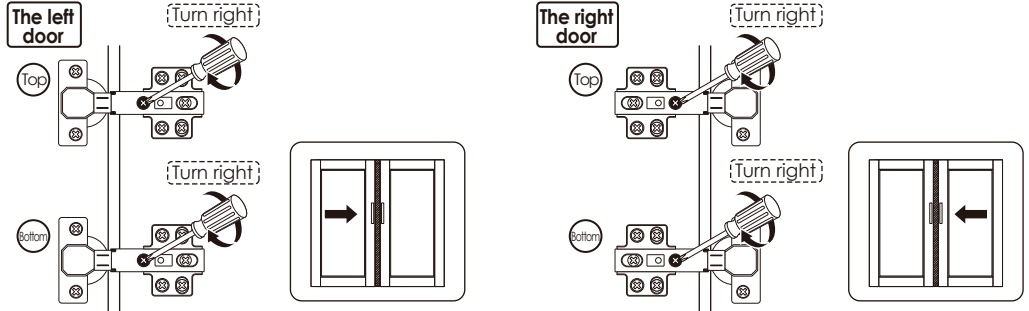
Components Name



Obvious gaps between doors or Doors don't look closed



- 1 Turn "internal & external screw" to the right can make the door approach inside. Please adjust the doors little by little.



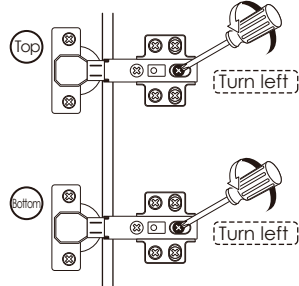
※ If the 2 doors are overlap, please turn the "internal & external screw" to the left.

When door is crooked



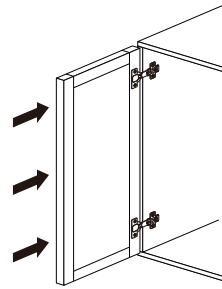
Please take the following steps to adjust first.

- 1 Rotate the "front and rear screws" to the left

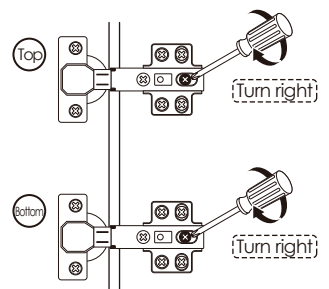


※ After adjusting the "front and rear screw", the door still does not change, please turn the "internal & external screw" to the right slightly.

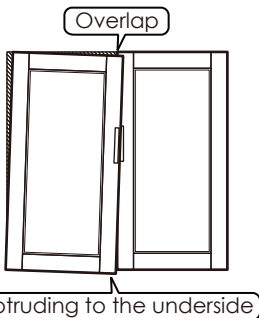
- 2 Push the door to the cabinet



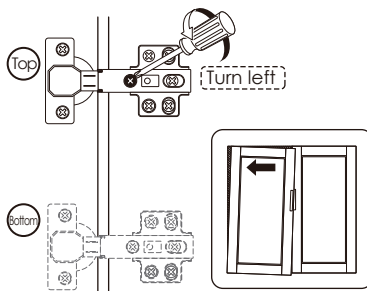
- 3 Rotate the "front and rear screws" to the right



When door is leaning



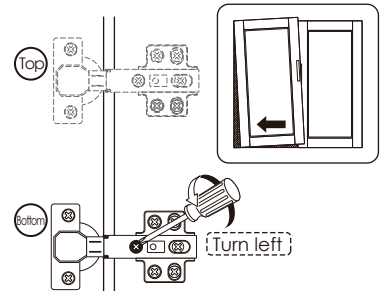
- 1 Turn "internal & external screw" to the left can make the top of the door tilted outward.



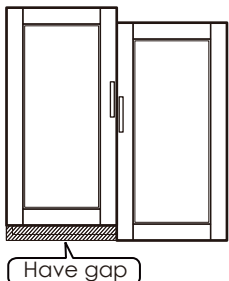
Protruding to the upside



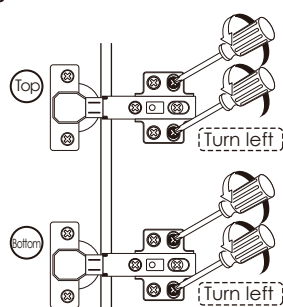
- 1 Turn "internal & external screw" to the left can make the bottom of the door tilted outward.



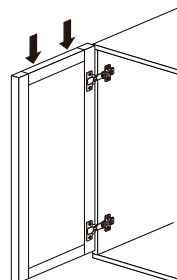
When the door is higher on top



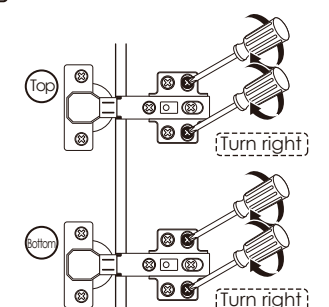
- 1 Turn "up & down screw" to the left



- 2 Lower the door's height so that 2 doors are of the same height.



- 3 Turn "up & down screw" to the right



※ If the door is lower on bottom, please lift up the left door slightly on step 2



WARNING



Children have died from furniture tipover. To reduce the risk of furniture tipover:

- **ALWAYS** install tipover restraint provided.
- **NEVER** put a TV on this product.
- **NEVER** allow children to stand, climb or hang on drawers, doors, or shelves.
- **NEVER** open more than one drawer at a time.
- Place heaviest items in the lowest drawers.

