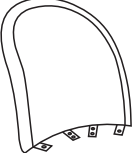


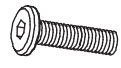


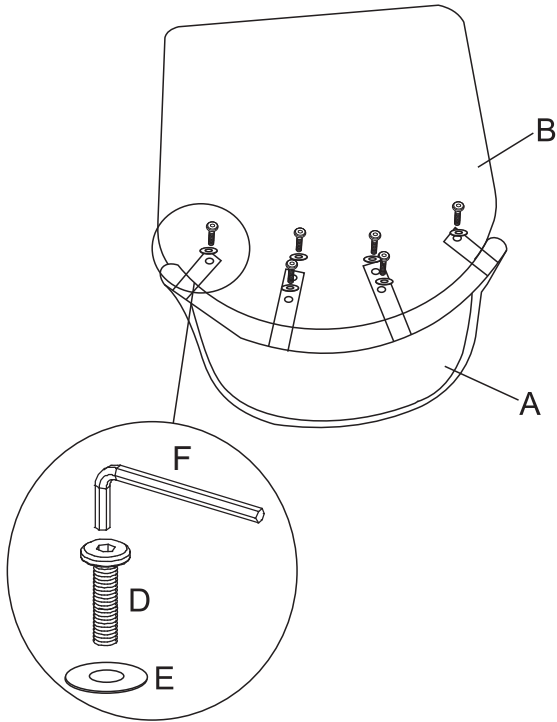


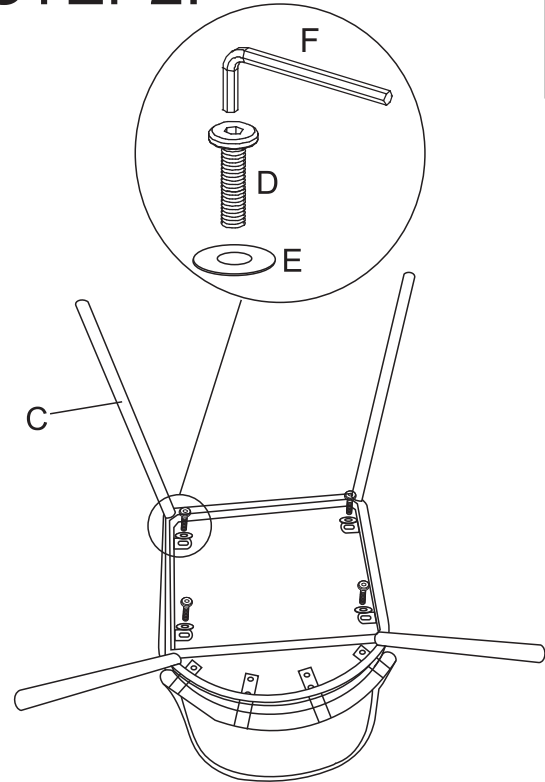
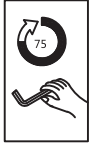
ASSEMBLY INSTRUCTION

| | | | | | |
|---|---|---|--|--|---|
|  |  |  |  M6x30mm |  M6x18mm |  M5 |
| A X1 | B X1 | C X1 | D X10 | E X10 | F X1 |

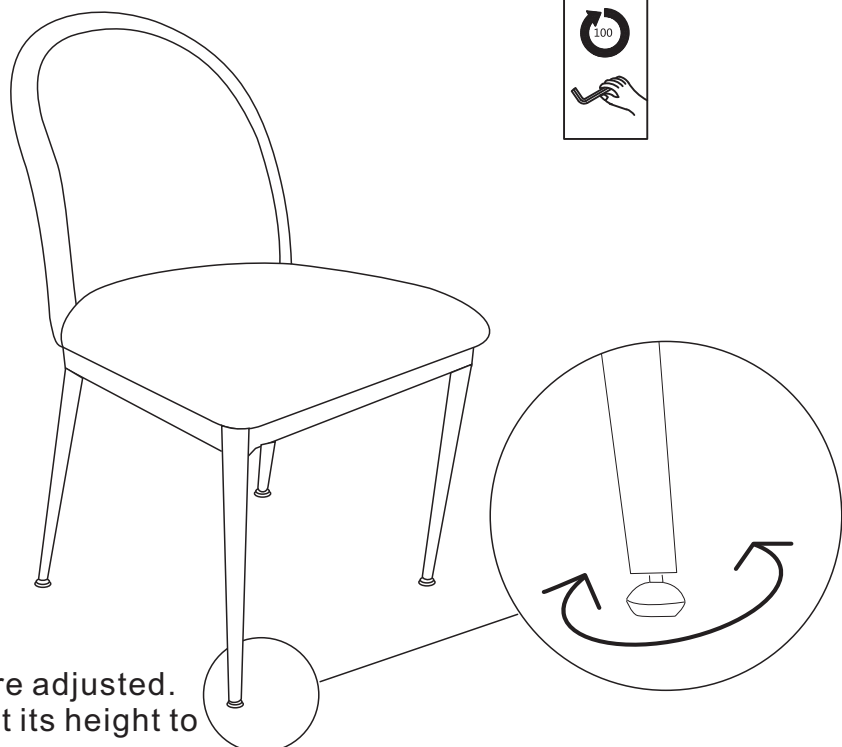
STEP1:



STEP2:



STEP3:



The four black plastic feet are adjusted. you can turn them and adjust its height to help to make the chair stable