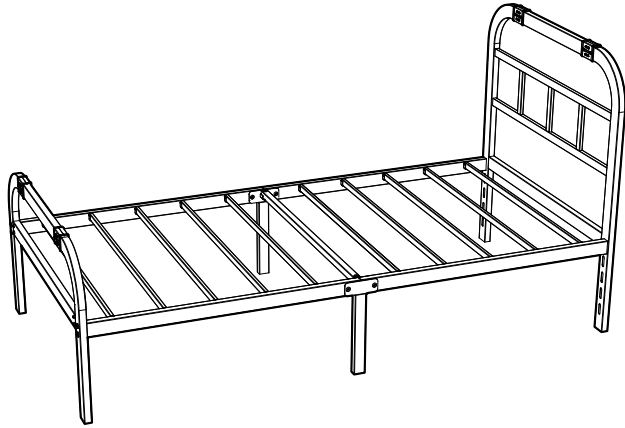


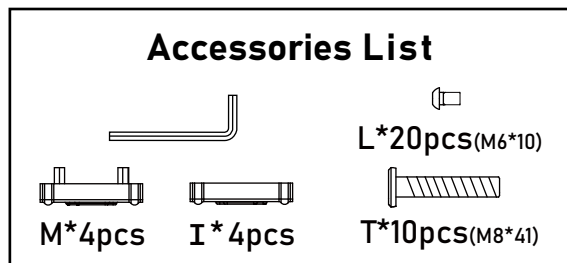
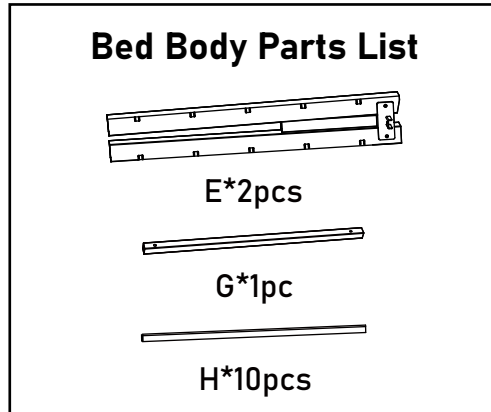
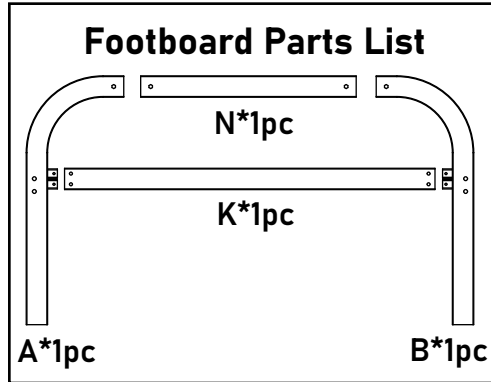
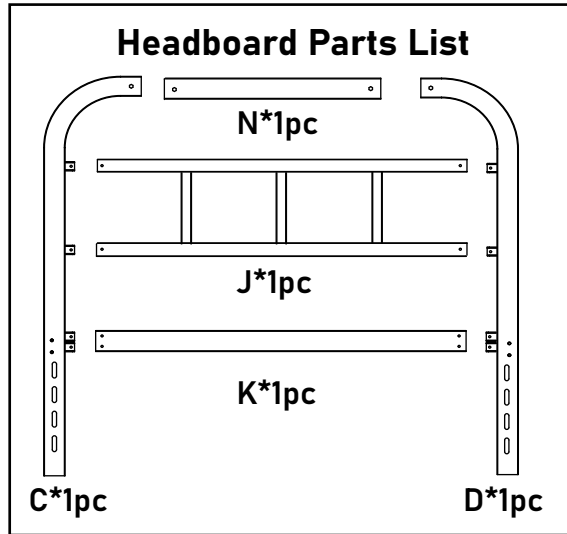
Platform Bed Set-up Instruction

SIZE:Twin/ Twin XL

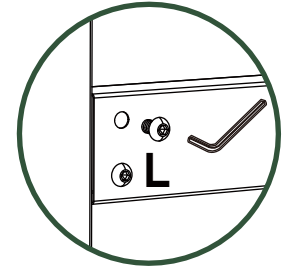
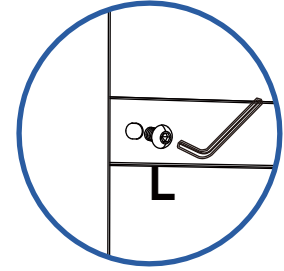
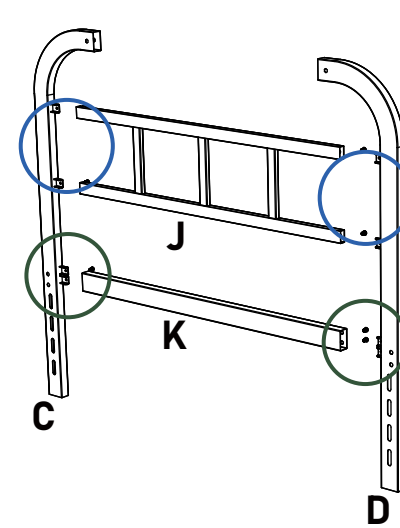
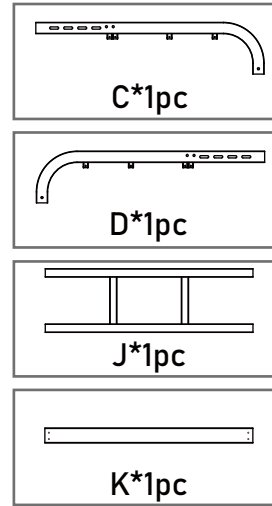
(SHF01/ 02)



Component composition

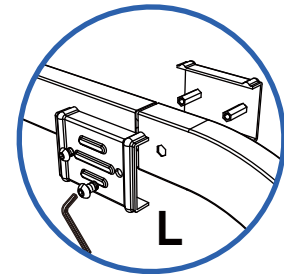
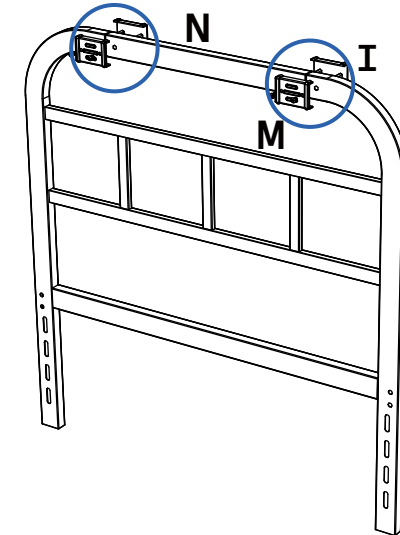
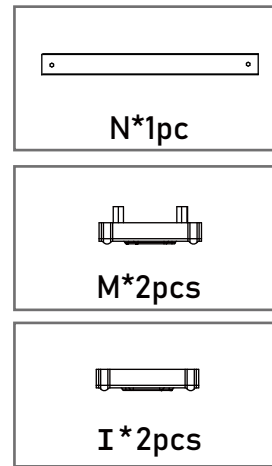


Step 1-1 (Assemble the headboard)



Step 1-1: need L*8pcs(M6*10)

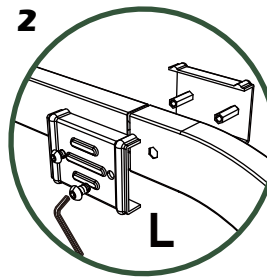
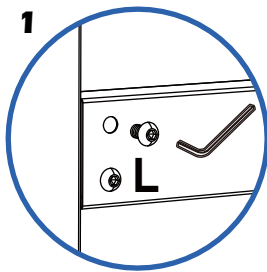
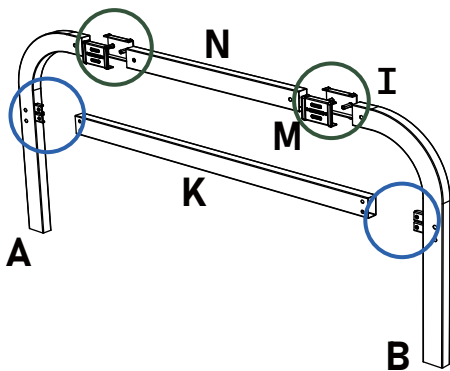
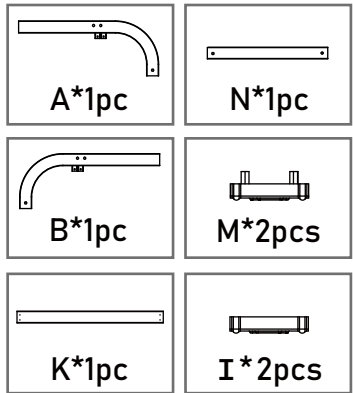
Step 1-2



Step 1-2: need L*4pcs(M6*10)

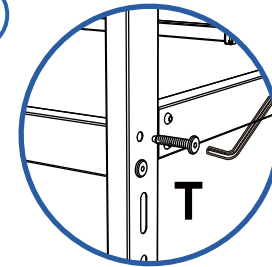
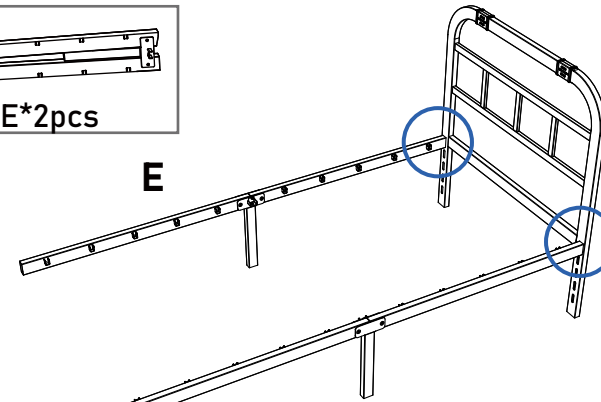
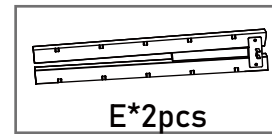
Please do not tighten the screws on headboard until you finish all of assembly to bed frame, which will be helpful for your assembly.

Step 2 (Assemble the Footboard)



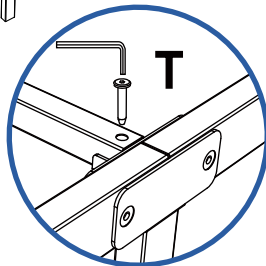
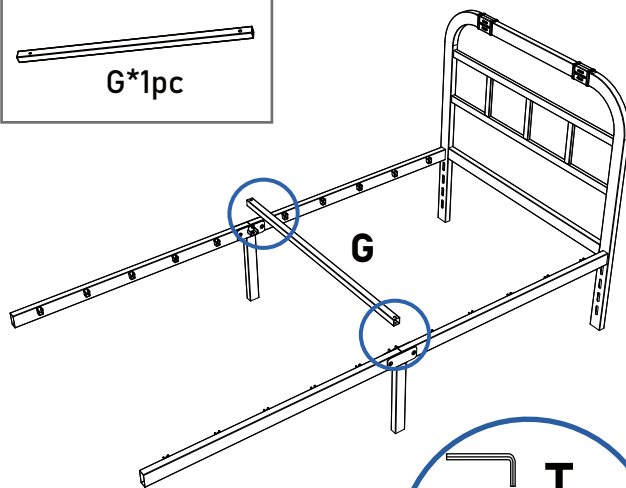
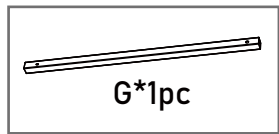
Step 2: need L*8pcs(M6*10)

Step 3



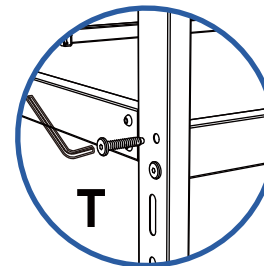
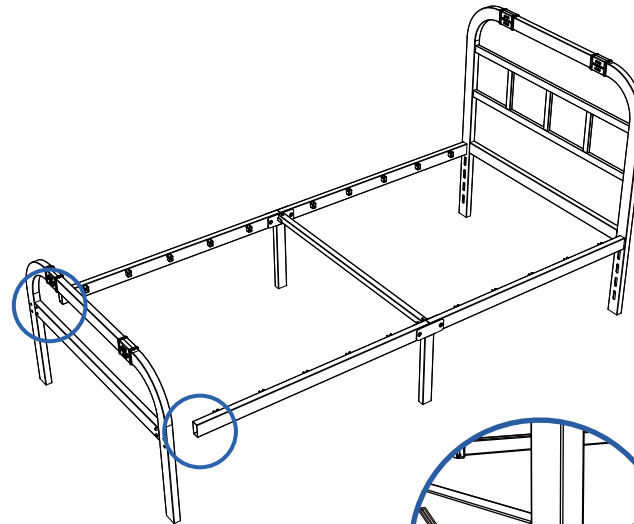
Step 3: need T*4pcs(M8*41)

Step 4



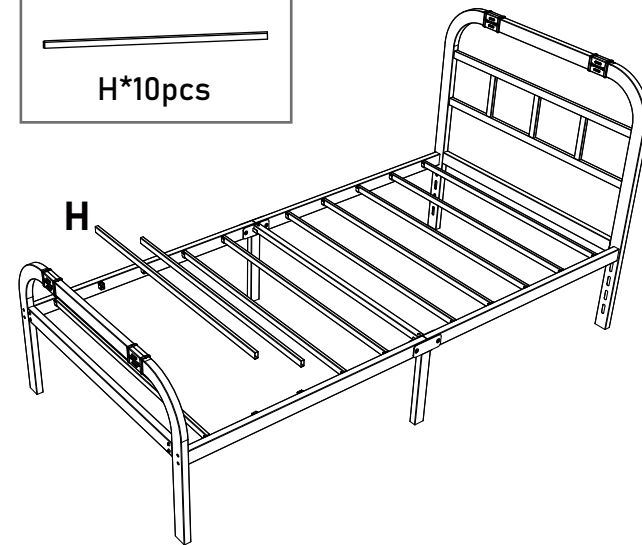
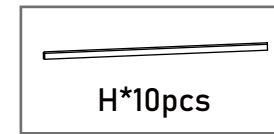
Step 4: need T*2pcs(M8*41)

Step 5



Step 5: need T*4pcs(M8*41)

Step 6



Finally, please tighten all screws to prevent noise.