



TOV





Follow us!

Show your new purchase some love by tagging it on our Instagram !

 @tovfurniture

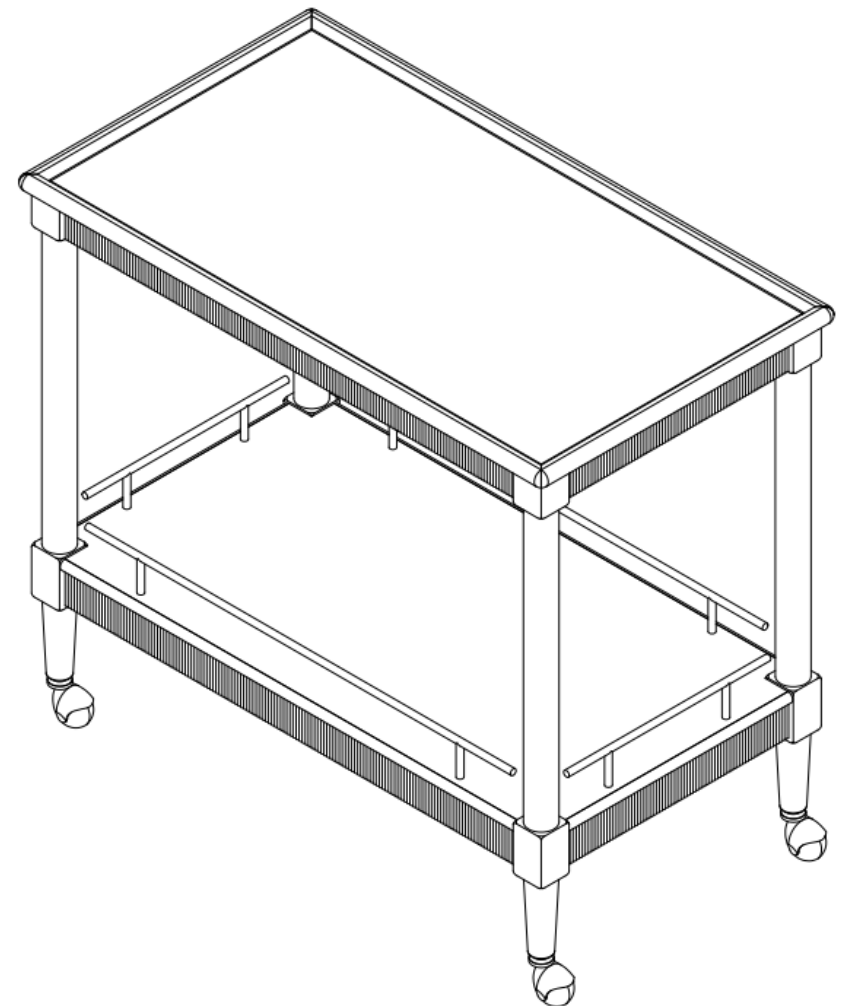
 516-888-3355

 hello@tovfurniture.com

 www.tovfurniture.com

If the future is female—your furniture should be, too. No mahogany in sight. Sexy settees shaped like lips. Price points for any budget. At TOV, we do things differently.

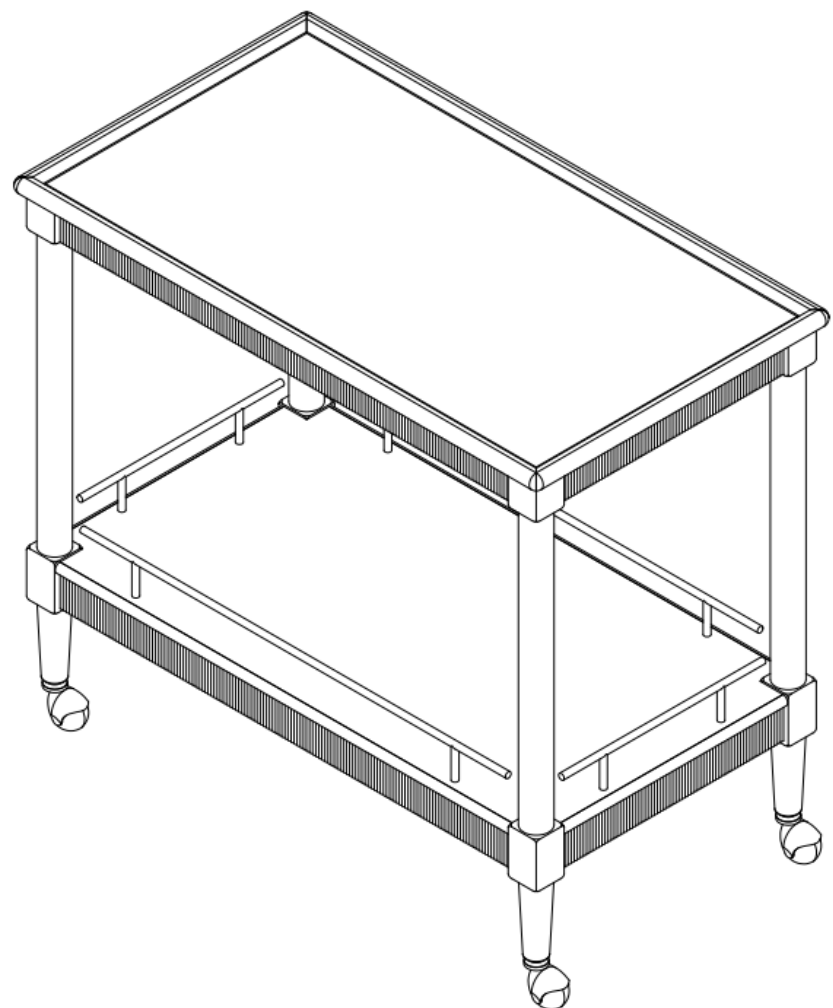
TOV



SLOSH BAR CART

DON'T BE BORING.

FINISH

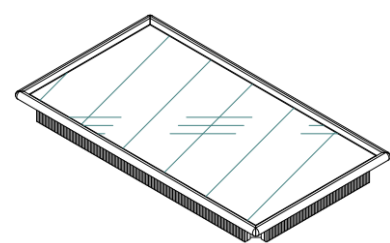
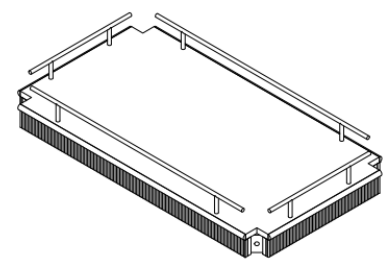
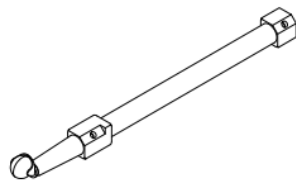






Stuck?

Contact our team @ 516-888-3355
Scan for product care!



Hardware and Components

-  **A** x1 pc
-  **B** x1 pc
-  **C** x4 pcs
-  **D** x8 pcs
-  **E** x8 pcs
-  **F** x8 pcs
-  **G** x1 pc

STEP 1

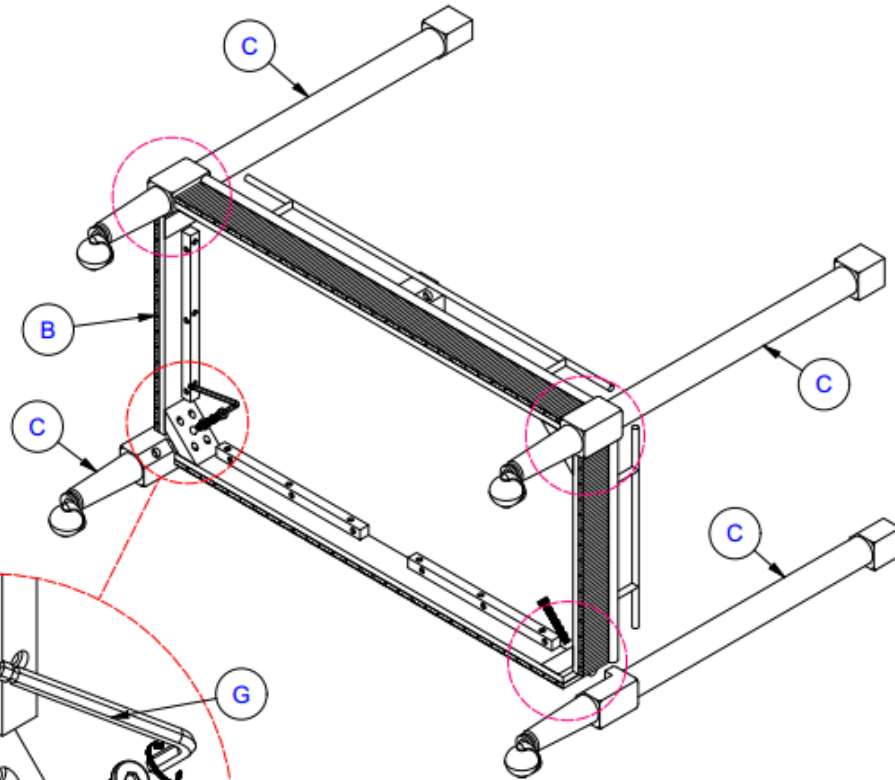
Open box of hardware and legs.

This hardware box will be a smaller box inside of the main box. Look for the red streamer.



STEP 2

1) Attach the bottom board (B) to the legs (C) with the included hardware (D), (E) & (F) using the Allen key (G).

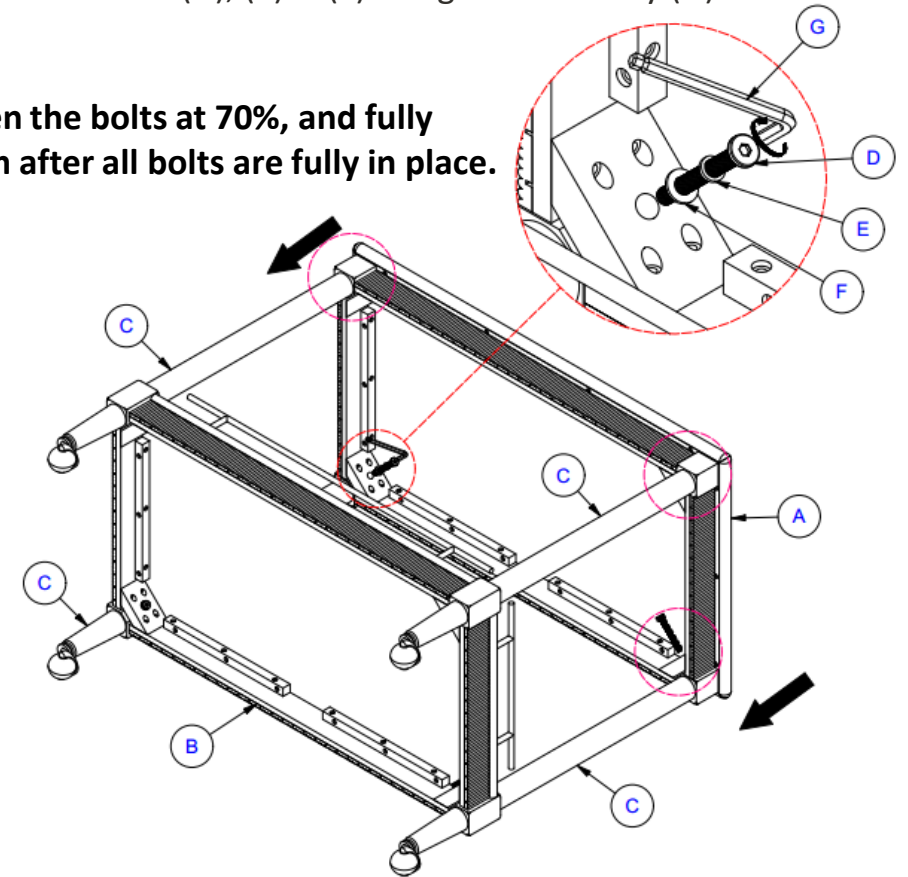


Please fasten the bolts at 70%

STEP 3

1) Attach the top board (A) to the legs (C) with the included hardware (D), (E) & (F) using the Allen key (G).

Please fasten the bolts at 70%, and fully tighten them after all bolts are fully in place.



STEP 4

Carefully set the bar cart upright.

