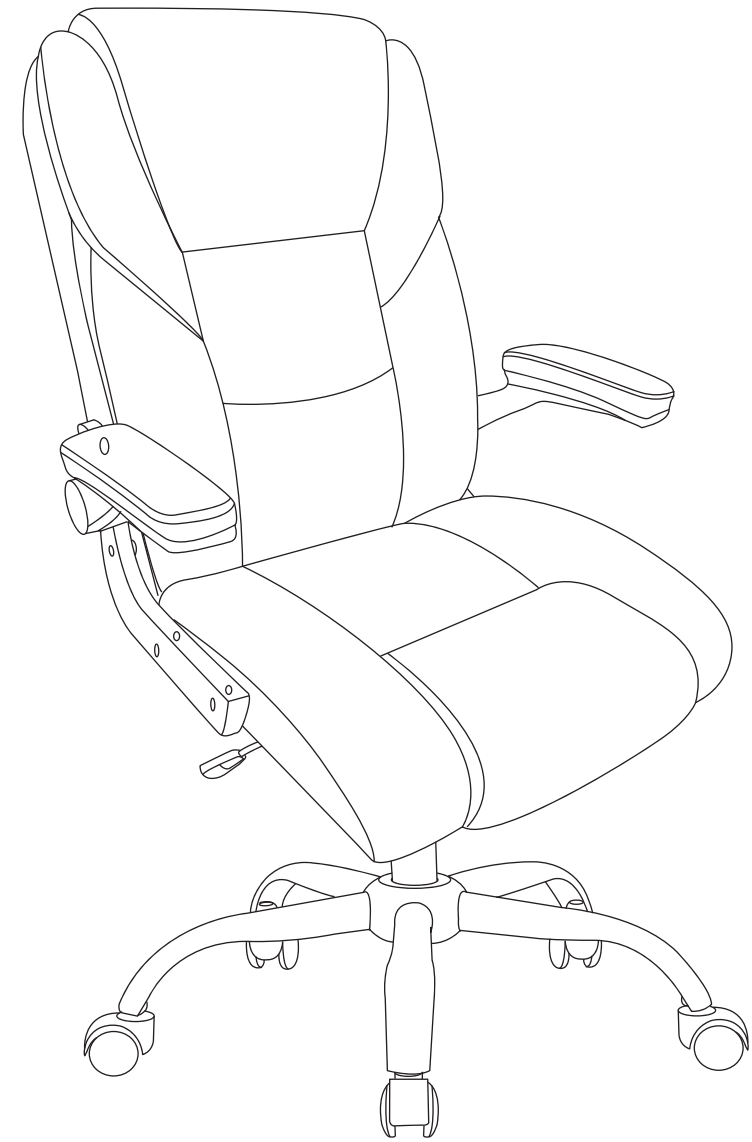


## **WARNING:**

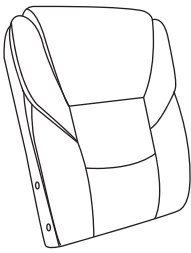
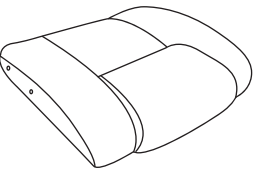
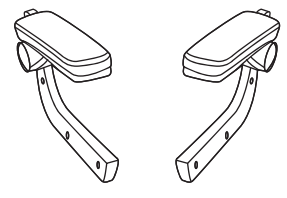
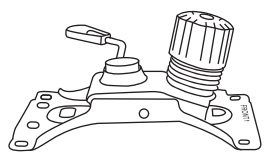

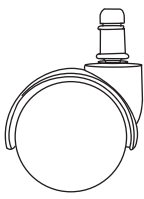
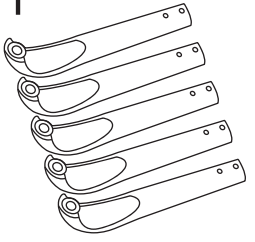
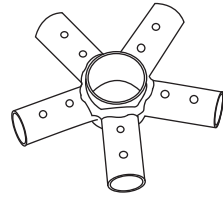
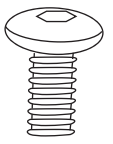
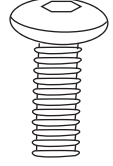
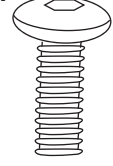
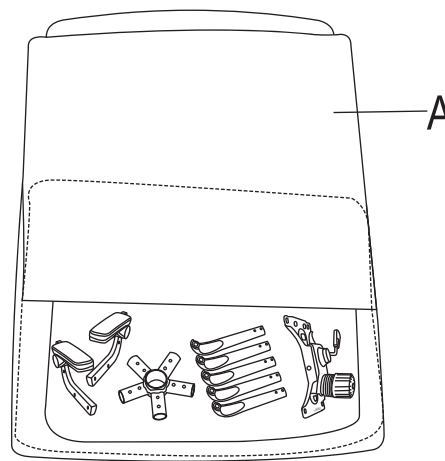


- \*Please read the instructions carefully before installation
- \*Some chair parts are placed behind the backrest. Please open the zipper under the backrest first and take out the parts.
- \*When installing the handrail, tighten the screws by 80%, and tighten them by 100% after installation.

Made in China

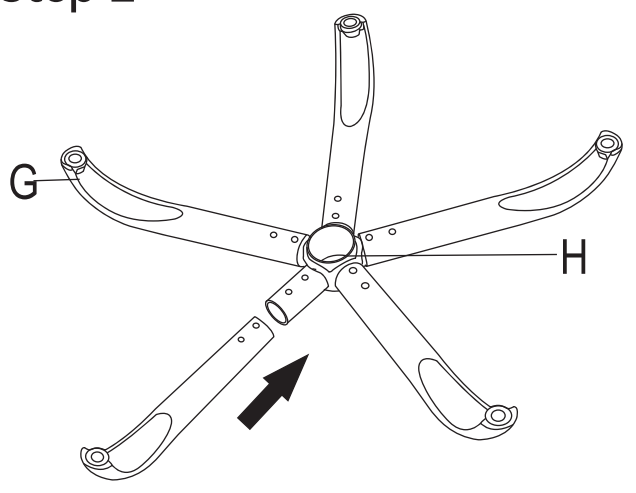


# **Office Chair**

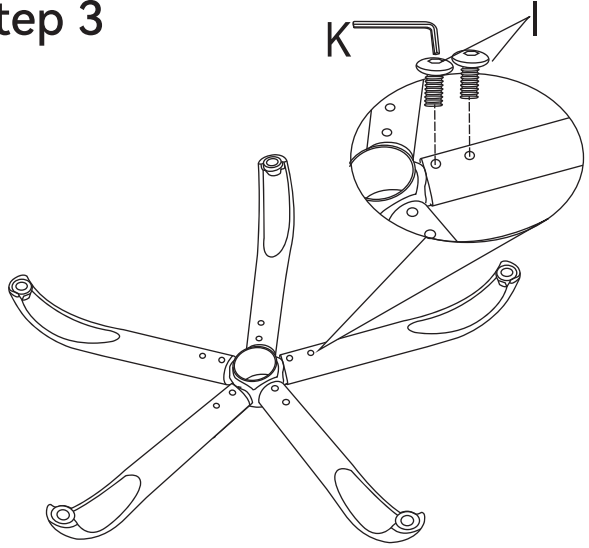
User Manual

<b>A*1</b> 	<b>B*1</b> 	<b>C*1</b> 	<b>D*1</b> 
<b>E*1</b> 	<b>F*5</b> 	<b>G*1</b> 	<b>H*1</b> 
<b>I*10</b>  M6*18mm	<b>J*8</b>  M6*30mm	<b>L*4</b>  M6*25mm	<b>Step 1</b>  <p>Open the back zipper and take out the parts</p>
<b>K*1</b> 	<b>M*8</b> 		

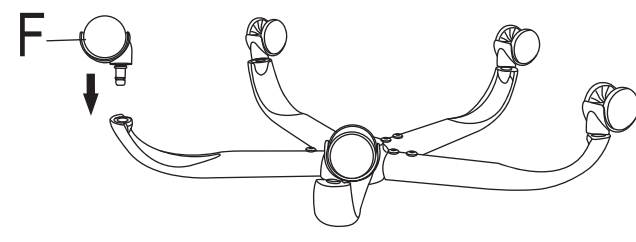
**Step 2**



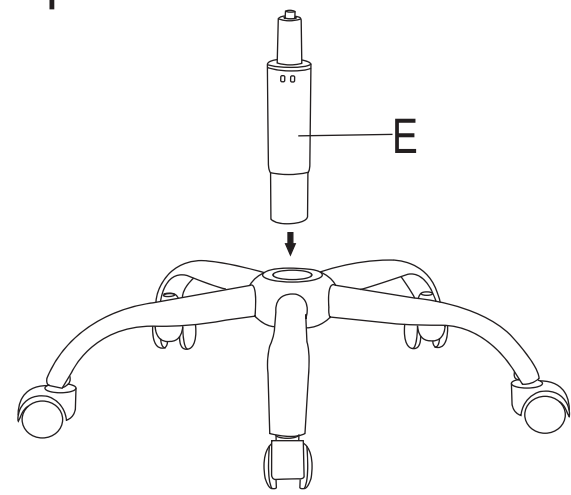
**Step 3**



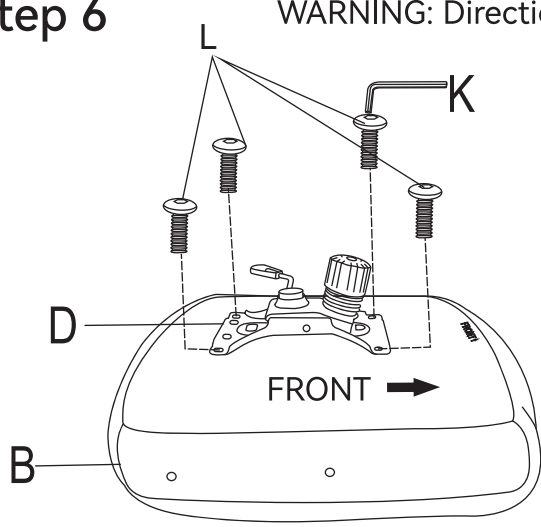
**Step 4**



**Step 5**

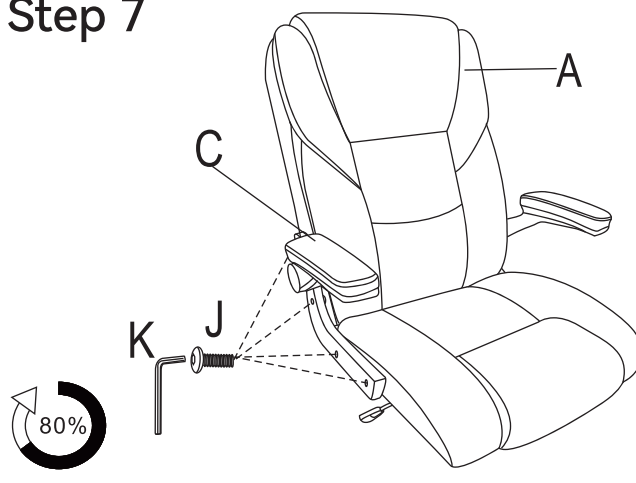


**Step 6** **WARNING: Directions**



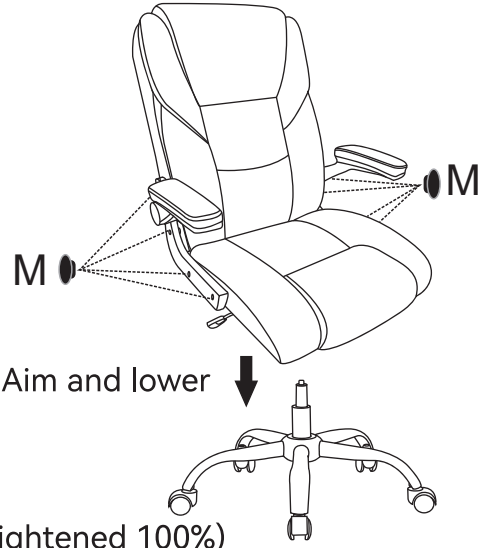
FRONT →

**Step 7**



80%  
(Screw tightened 80%)

**Step 8**

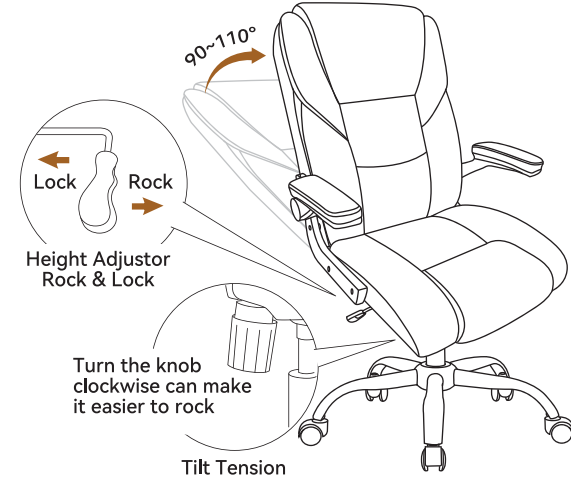


1. Aim and lower ↓

2. (Screw tightened 100%)  
3. Screw holes with plastic covers

100%

**Step 9** Chair rock back and forth



90°-110°

Lock Rock

Height Adjustor Rock & Lock

Turn the knob clockwise can make it easier to rock

Tilt Tension