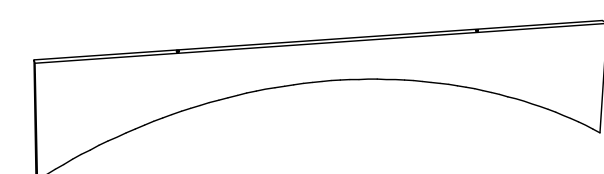
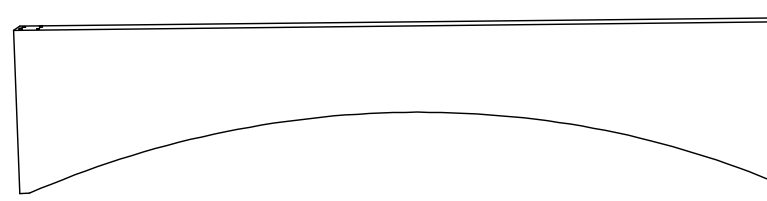
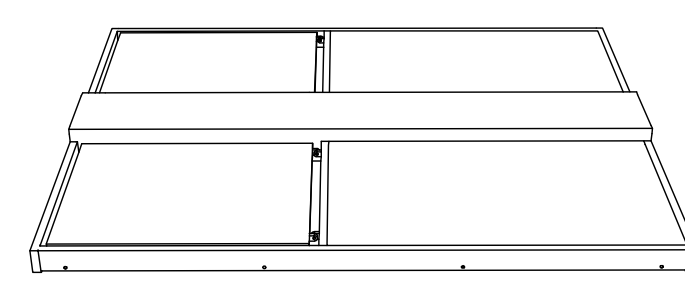
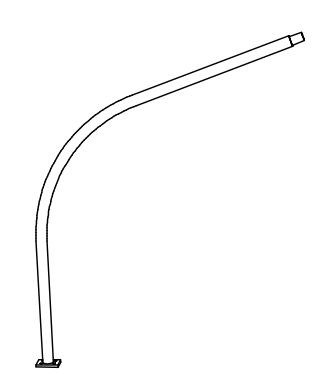
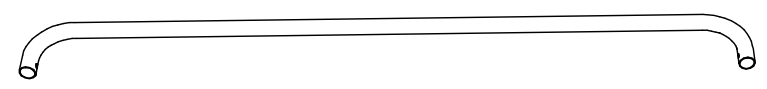
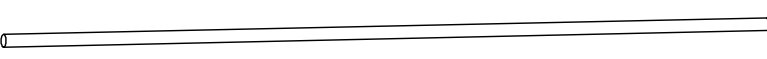
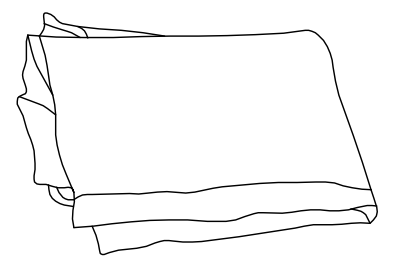
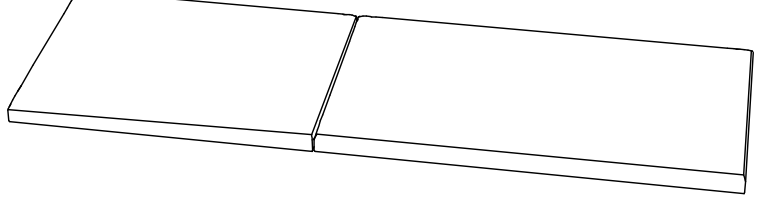
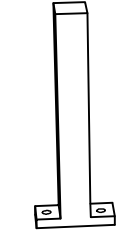
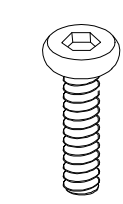
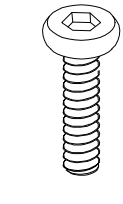
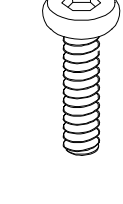
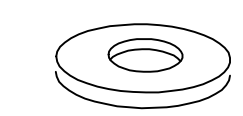
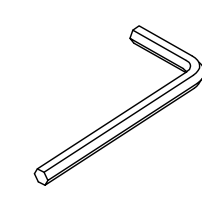


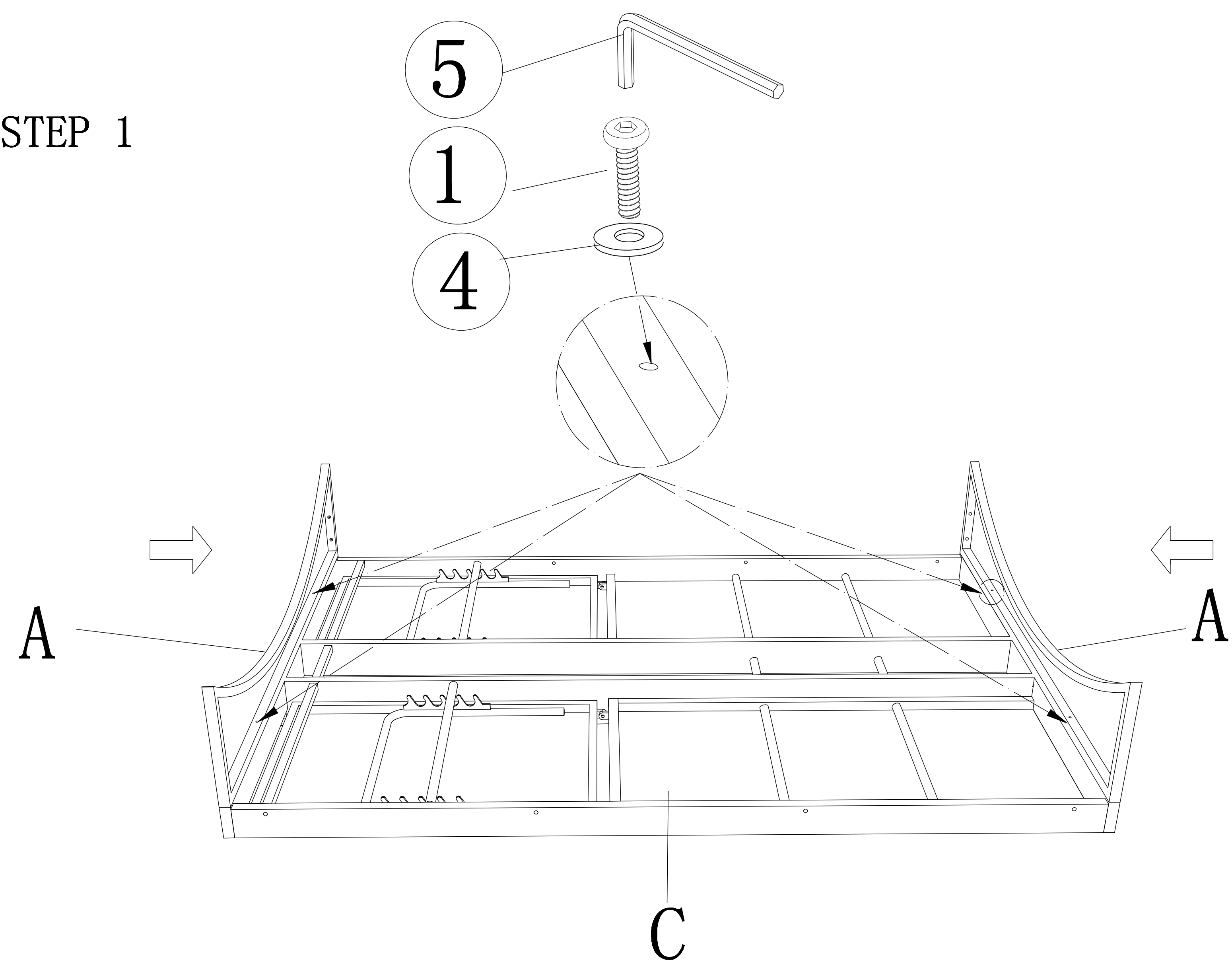
PARTLIST

A		x2
B		x2
C		x1
D		x2
E		x1
F		x2
G		x1
H		x2
I		x2

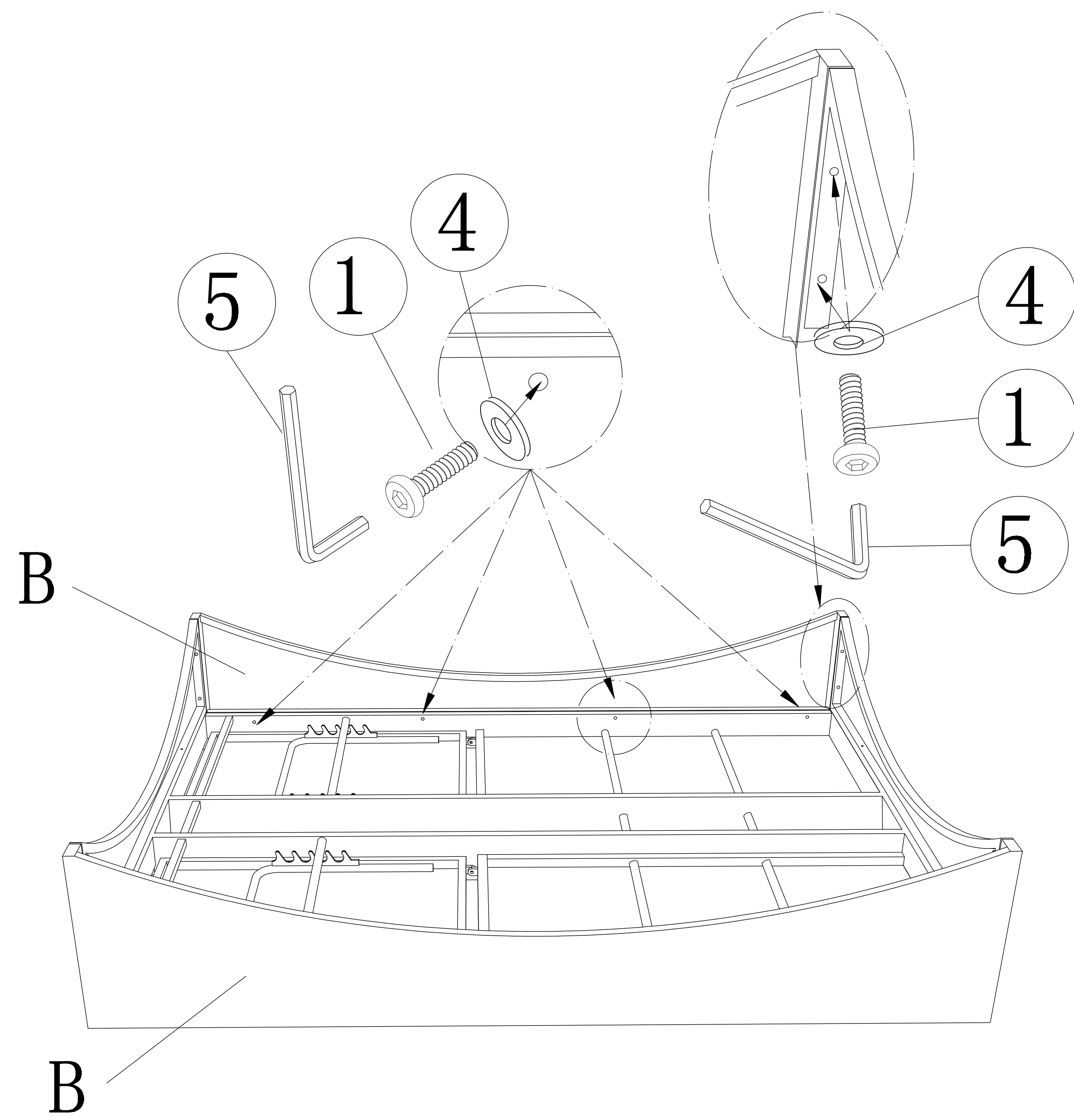
SCREWS AND TOOL

①	 M6*35mm	x20
②	 M6*20mm	x12
③	 M6*50mm	x4
④	 M6	x36
⑤	 M4	x1

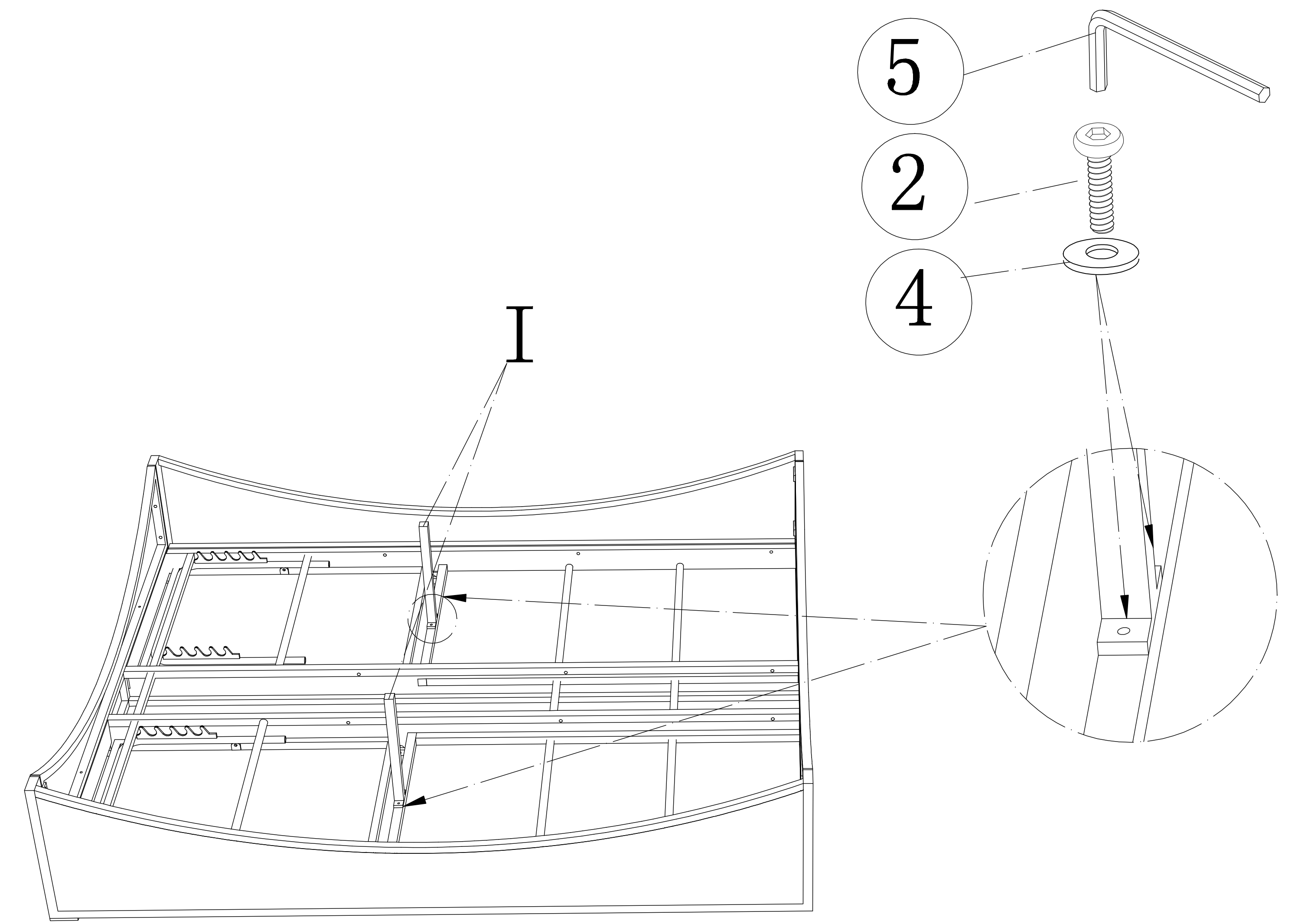
STEP 1



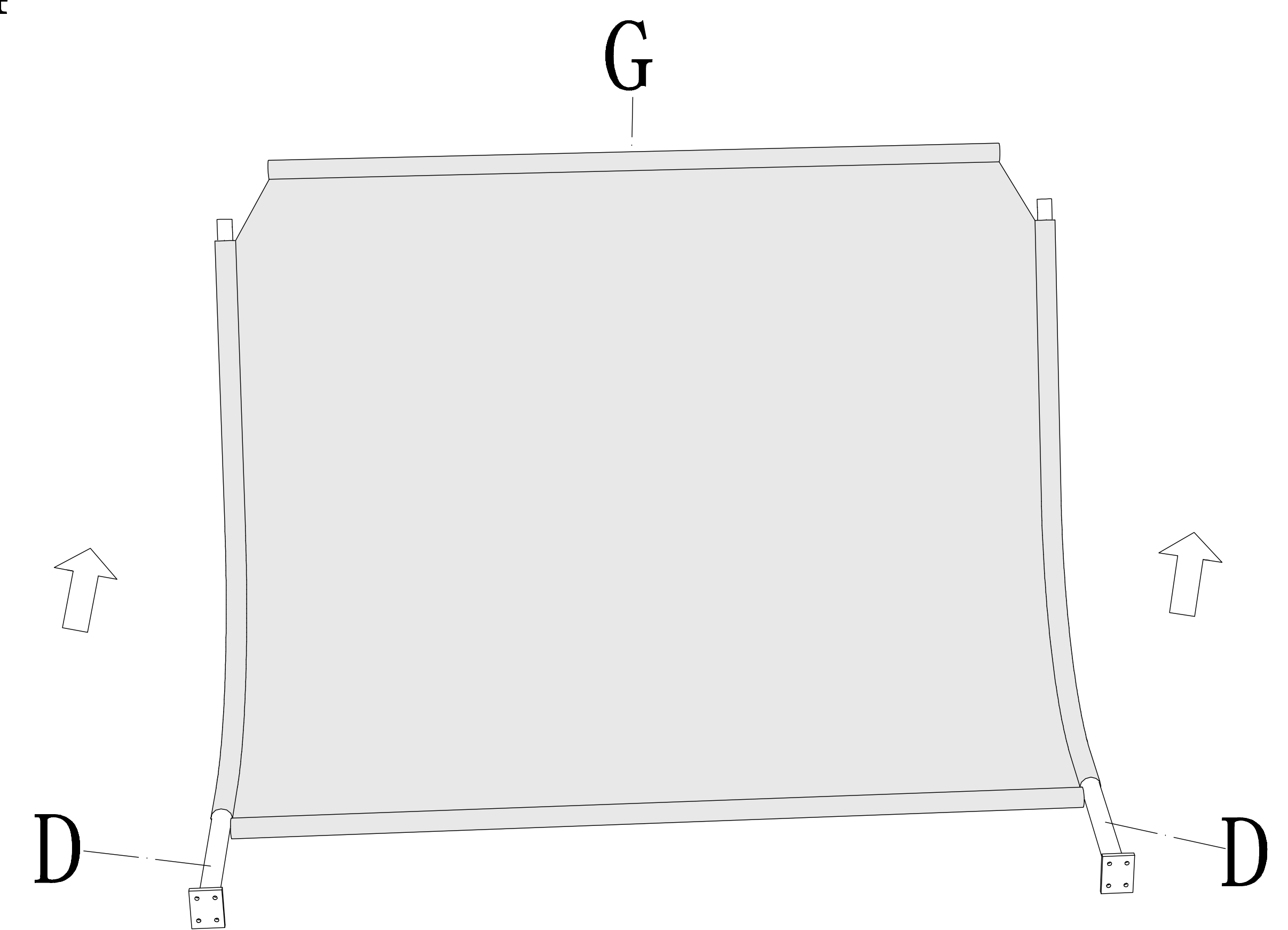
STEP 2



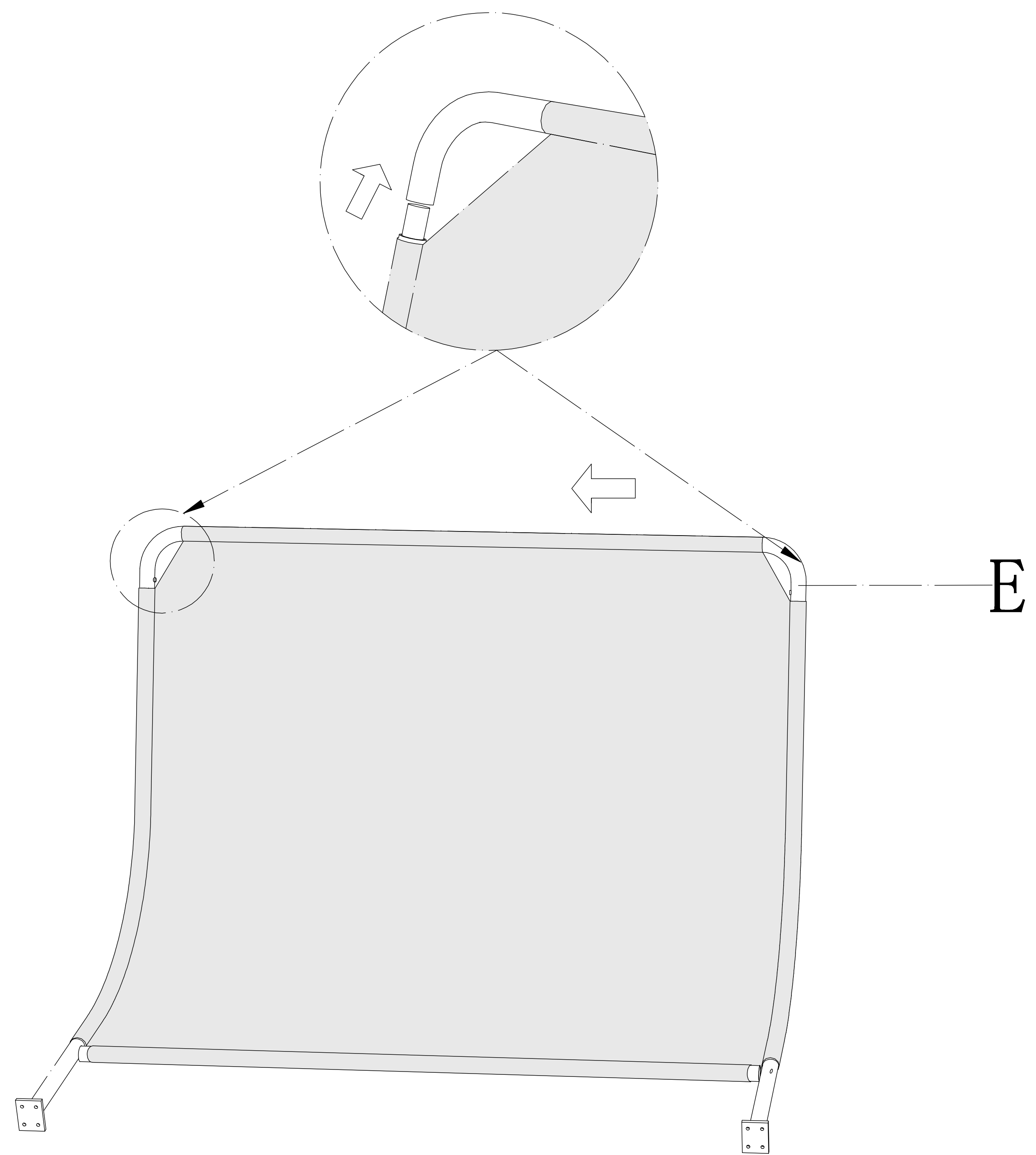
STEP 3



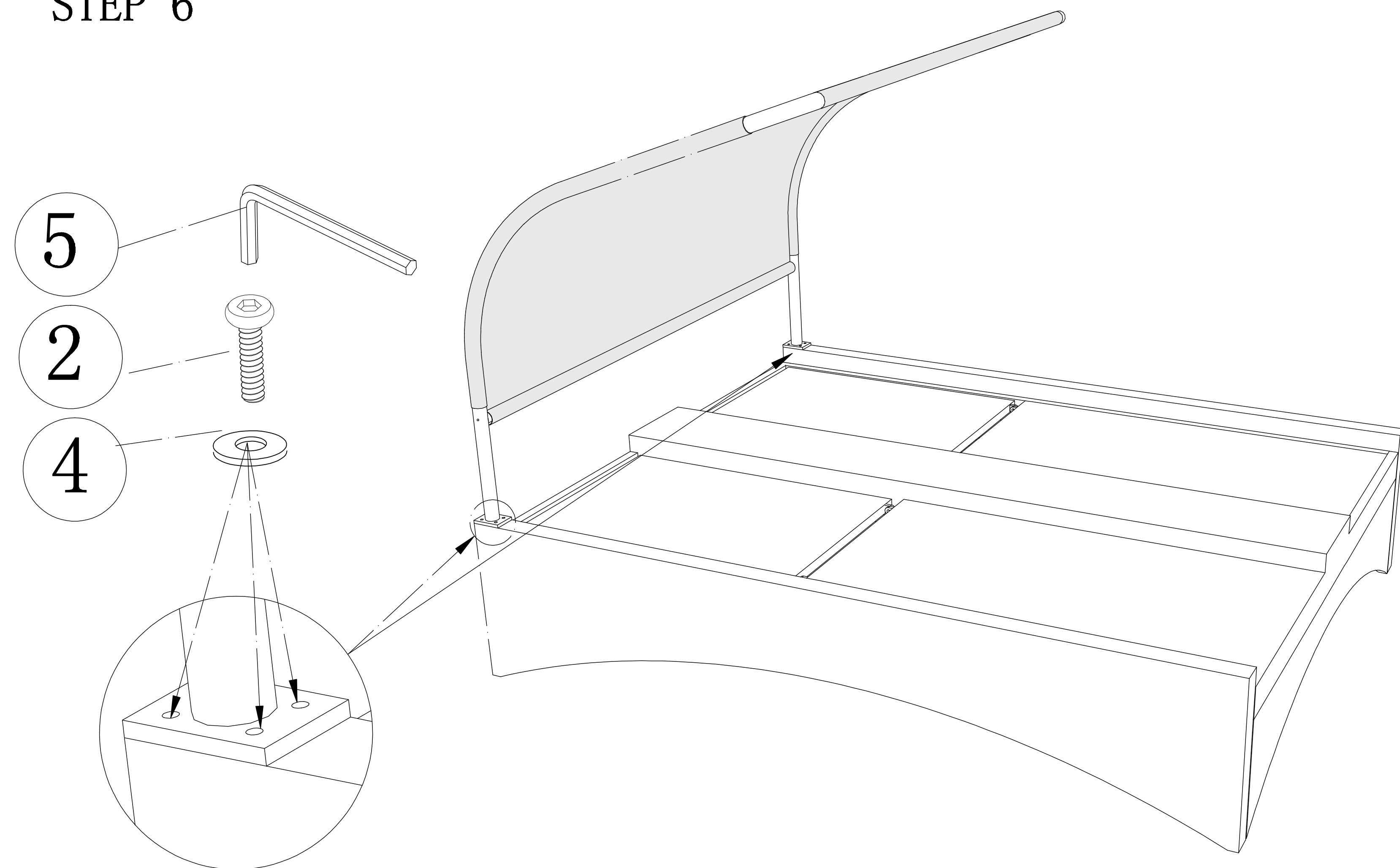
STEP 4



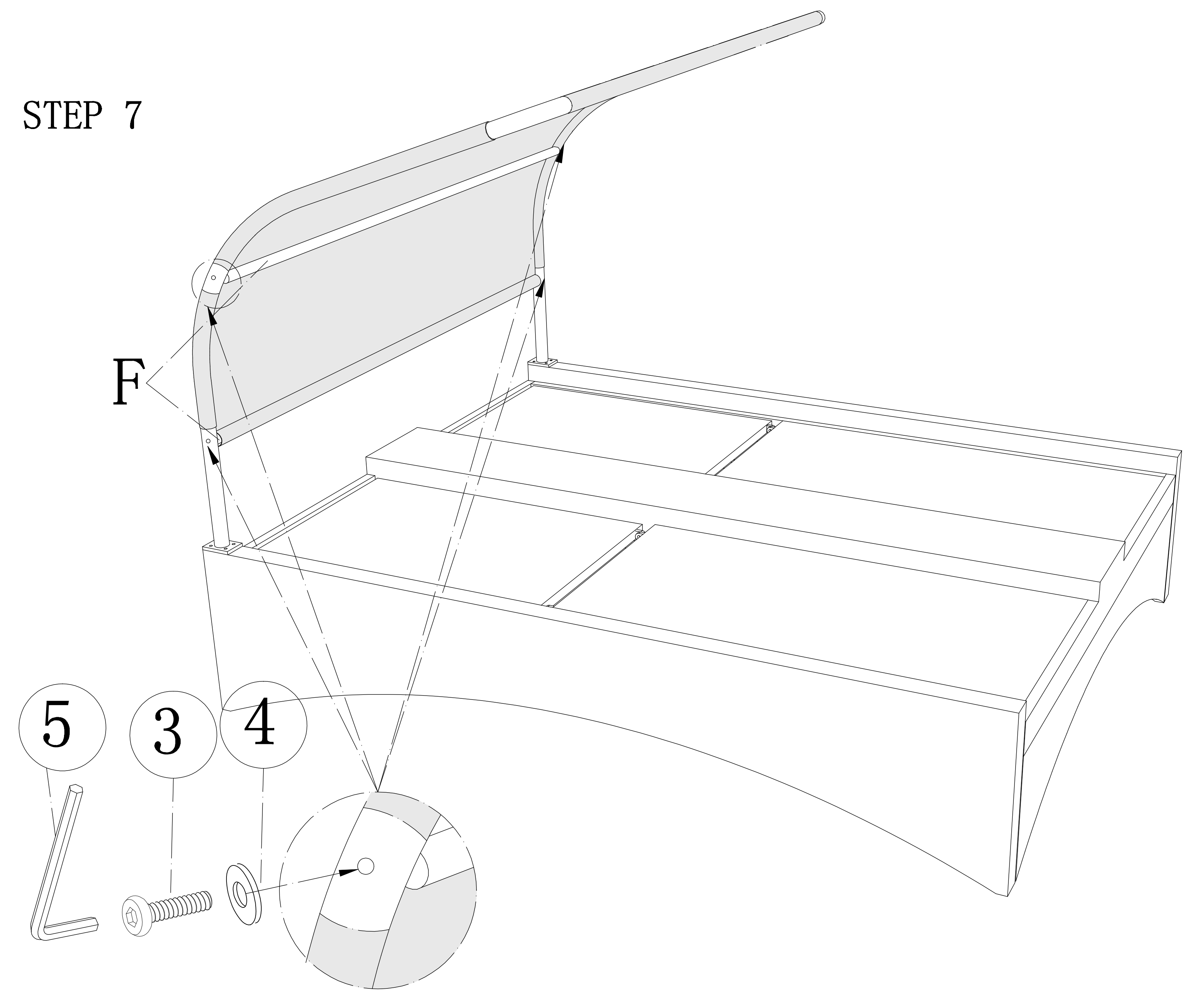
STEP 5



STEP 6



STEP 7



STEP 8

