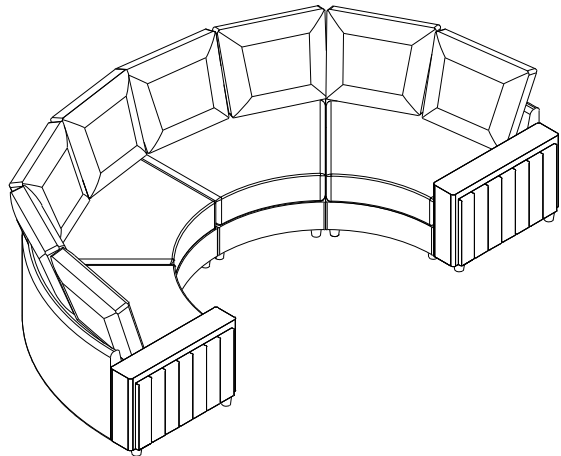
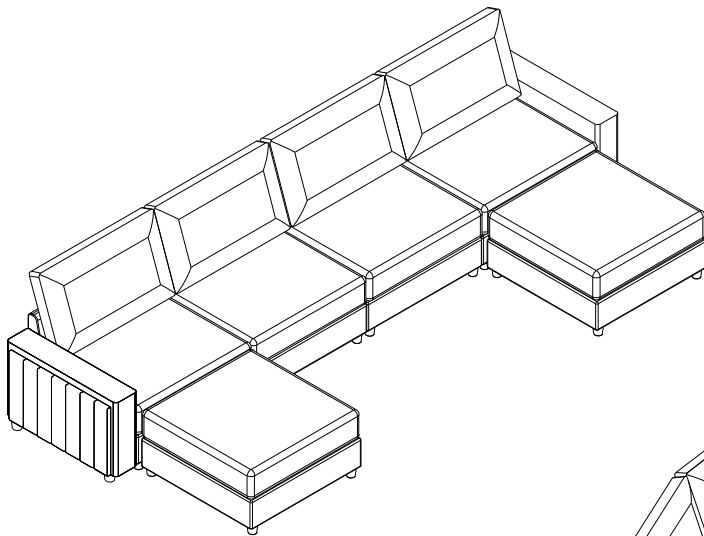
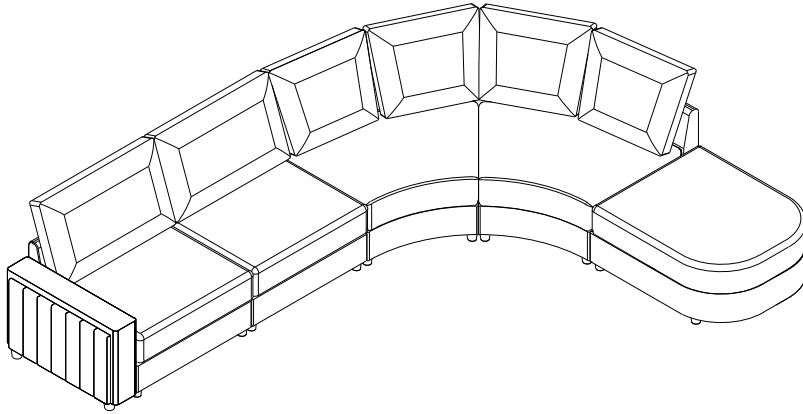
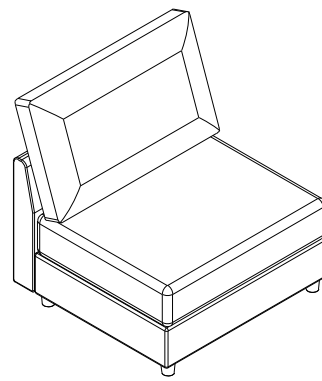


Owner Manual

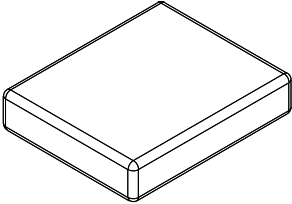
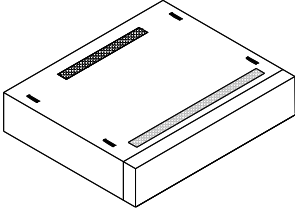
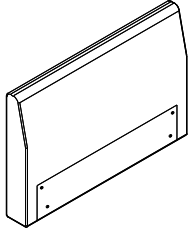
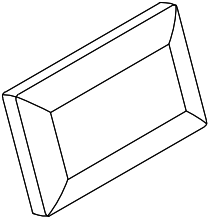

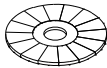


Thank you for purchasing the Sectional Sofa.




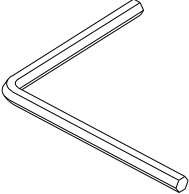
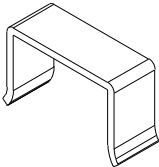
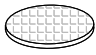
Please read the instructions and warnings carefully before use, to ensure safe and satisfactory operation of this product. We are committed to making great products possible. From our in-house Design Team, to our Buyers, we work together to bring great designs to life. Our expert Product Technologists work collaboratively with our buyers and suppliers to assure the legality, safety and quality of the product we sell. We are all committed to designing and developing products to the highest industry standards. We hope you are happy with your product and welcome any feedback or comments you may have.

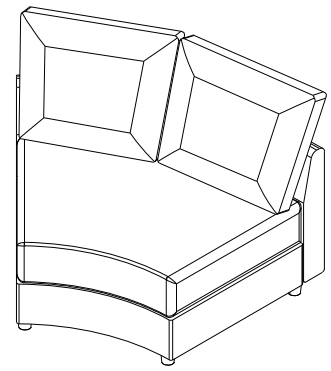
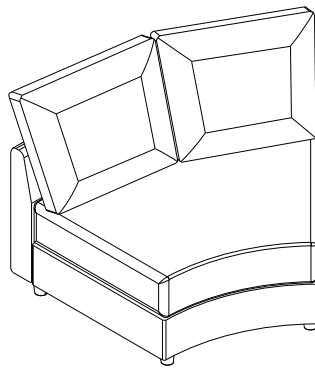


PARTS LIST (Carton A)

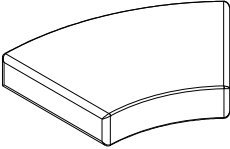
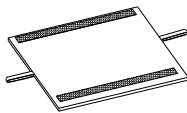
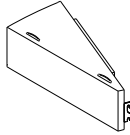
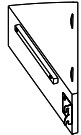


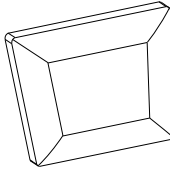

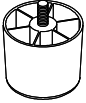
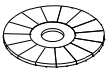
A x 1  Seat Cushion	B x 1  Seat Frame	C x 1  Back
D x 1  Back Cushion	O x 4  Plastic Leg	P x 4+1  Plastic Washer

HARDWARE LIST (Carton A)


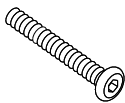


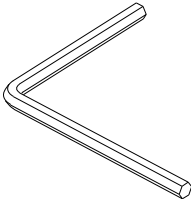
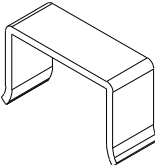

1 x 4+1  Blot M8*40mm	3 x 4+1  Spring Washer	4 x 4+1  Flat Washer	5 x 1  Allen Key 5mm
6 x 4  Metal Clip	7 x 4+1  Felt Mat		

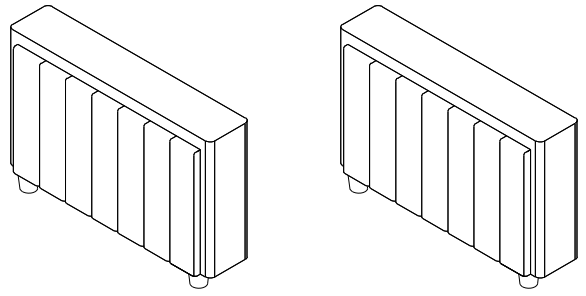


PARTS LIST (Carton B)

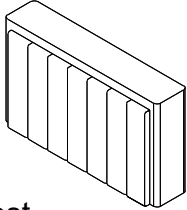

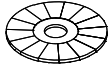
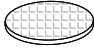
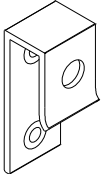
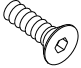
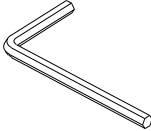
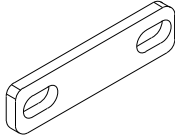
E x 2  Seat Cushion	F x 2  Seat Panel	G x 2  Left Side	H x 2  Right Side
I x 2  Front Panel	J x 2  Arc Shape Back	K x 4  Back Cushion	L x 2  Support Bar
O x 8  Plastic Leg	P x 8+1  Plastic Washer		

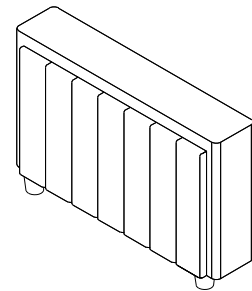
HARDWARE LIST (Carton B)

1 x 8+1  Blot M8*40mm	2 x 4+1  Blot M8*70mm	3 x 12+1  Spring Washer	4 x 12+1  Flat Washer
5 x 1  Allen Key 5#	6 x 4  Metal Clip	7 x 8+1  Felt Mat	

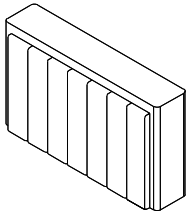

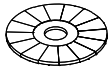
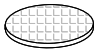
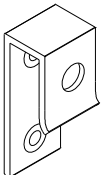

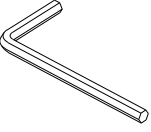
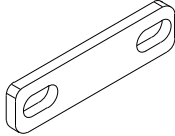


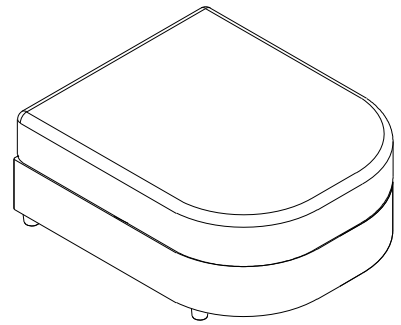
PARTS LIST (Carton C)

M x 2  Armrest	O x 4  Plastic Leg	P x 4+1  Plastic Washer	7 x 4+1  Felt Mat
8 x 4  Metal Hook	9 x 16+1  Blot M6*20mm	10 x 1  Allen Key 4#	11 x 4  Connection Plate

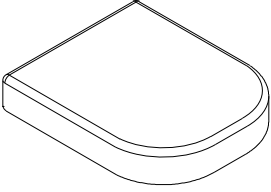
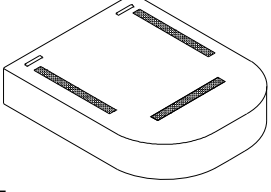

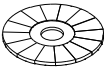
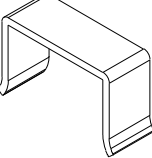
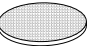


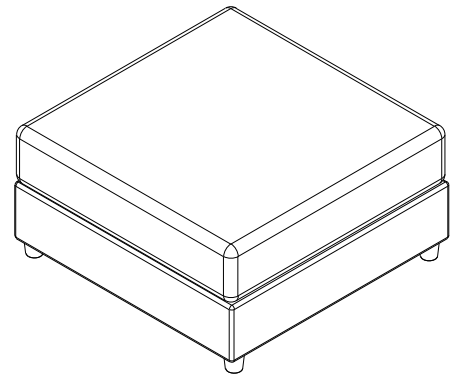
PARTS LIST (Carton D)

M x 1  Arm	O x 2  Plastic Leg	P x 2+1  Plastic Washer	7 x 2+1  Felt Mat
8 x 2  Metal Hook	9 x 8+1  Blot M6*20mm	10 x 1  Allen Key 4#	11 x 2  Connection Plate

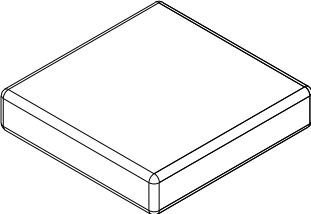
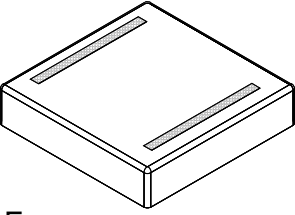





PARTS LIST (Carton E)

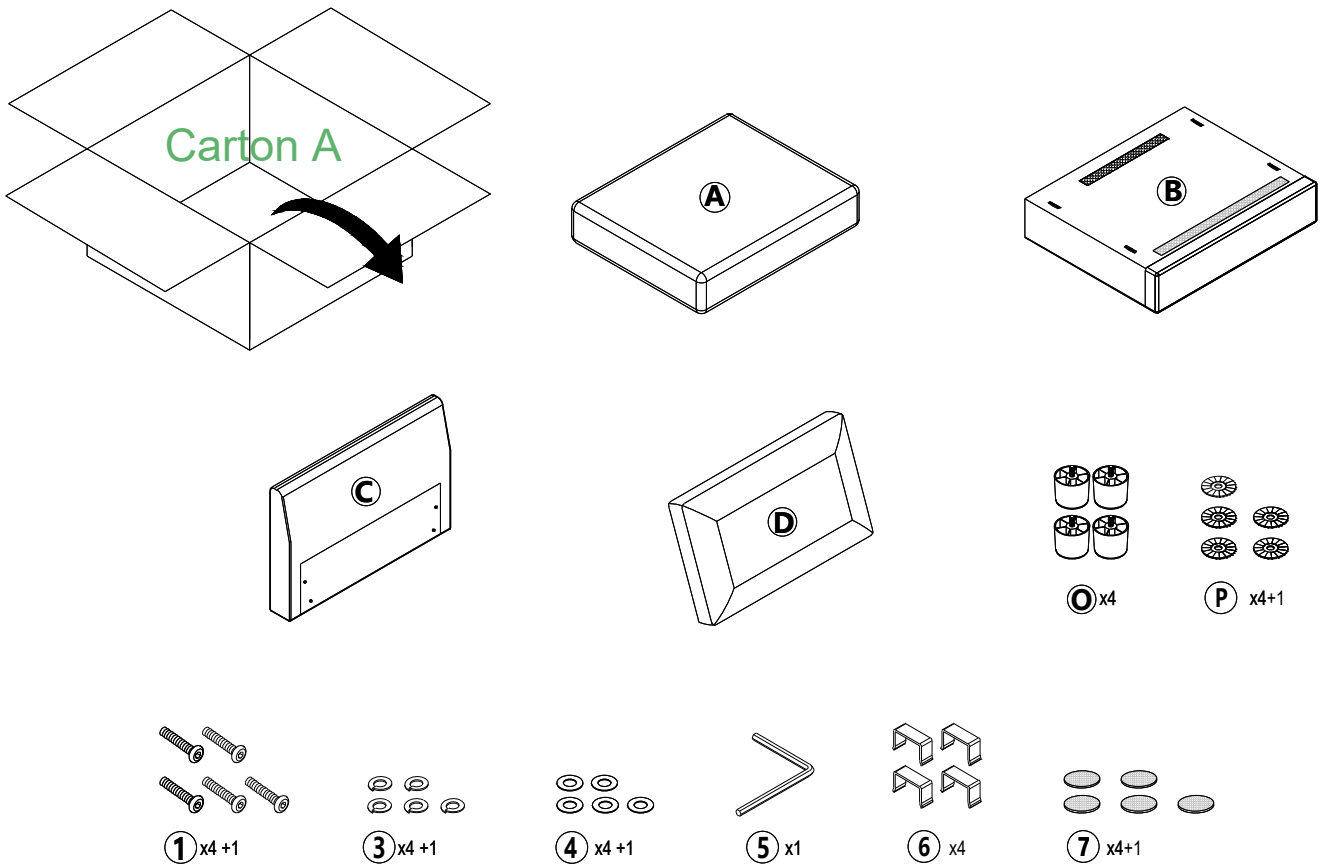
<p>N x 1</p>  <p>Seat Cushion</p>	<p>Q x 1</p>  <p>Seat Frame</p>	<p>O x 4</p>  <p>Plastic Leg</p>
<p>P x 4+1</p>  <p>Plastic Washer</p>	<p>6 x 2</p>  <p>Metal Clip</p>	<p>7 x 4+1</p>  <p>Felt Mat</p>



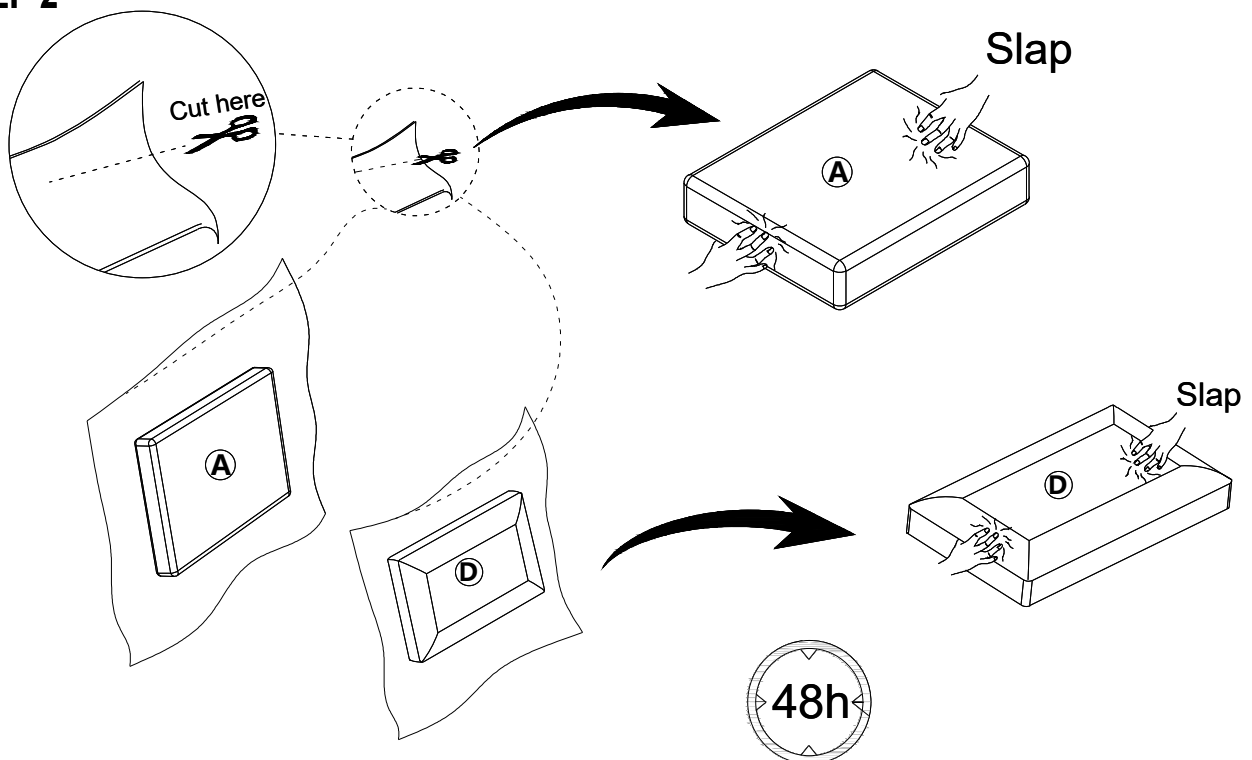
PARTS LIST (Carton F)

<p>R x 1</p>  <p>Seat Cushion</p>	<p>S x 1</p>  <p>Seat Frame</p>	<p>O x 4</p>  <p>Plastic Leg</p>
<p>P x 4+1</p>  <p>Plastic Washer</p>	<p>7 x 4+1</p>  <p>Felt Mat</p>	

STEP 1








STEP 2

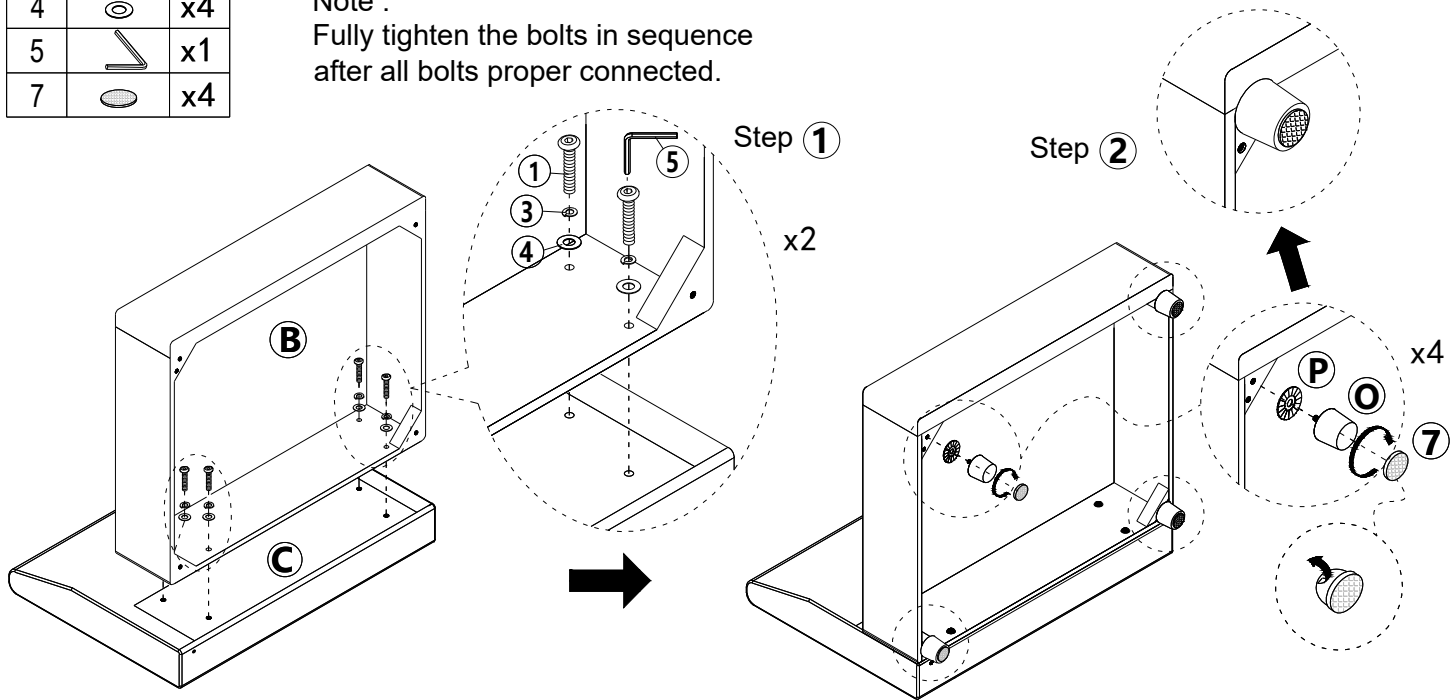


NOTE: 48 hours to fully expand after being unpackaged !

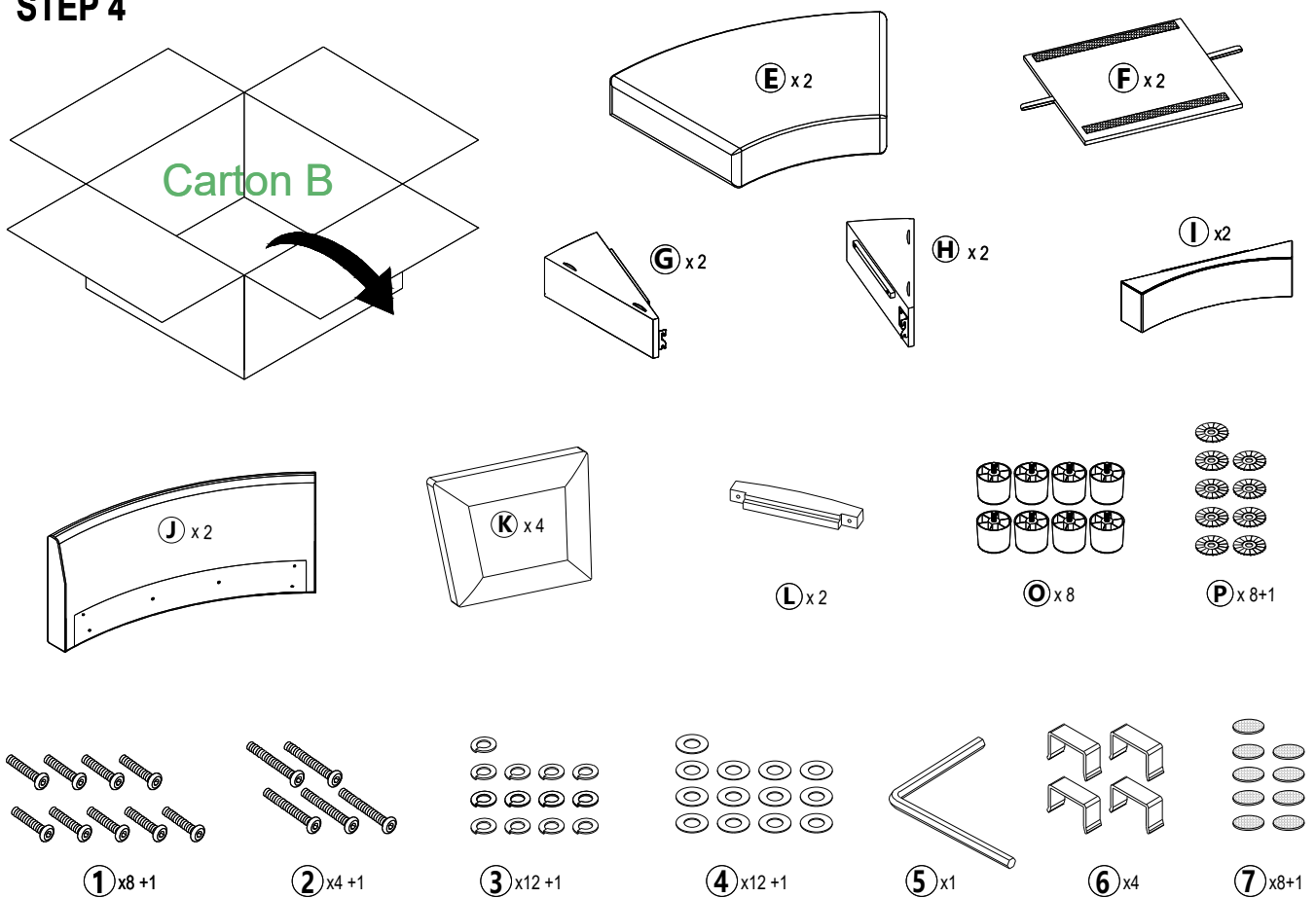
STEP 3

1		x4
3		x4
4		x4
5		x1
7		x4

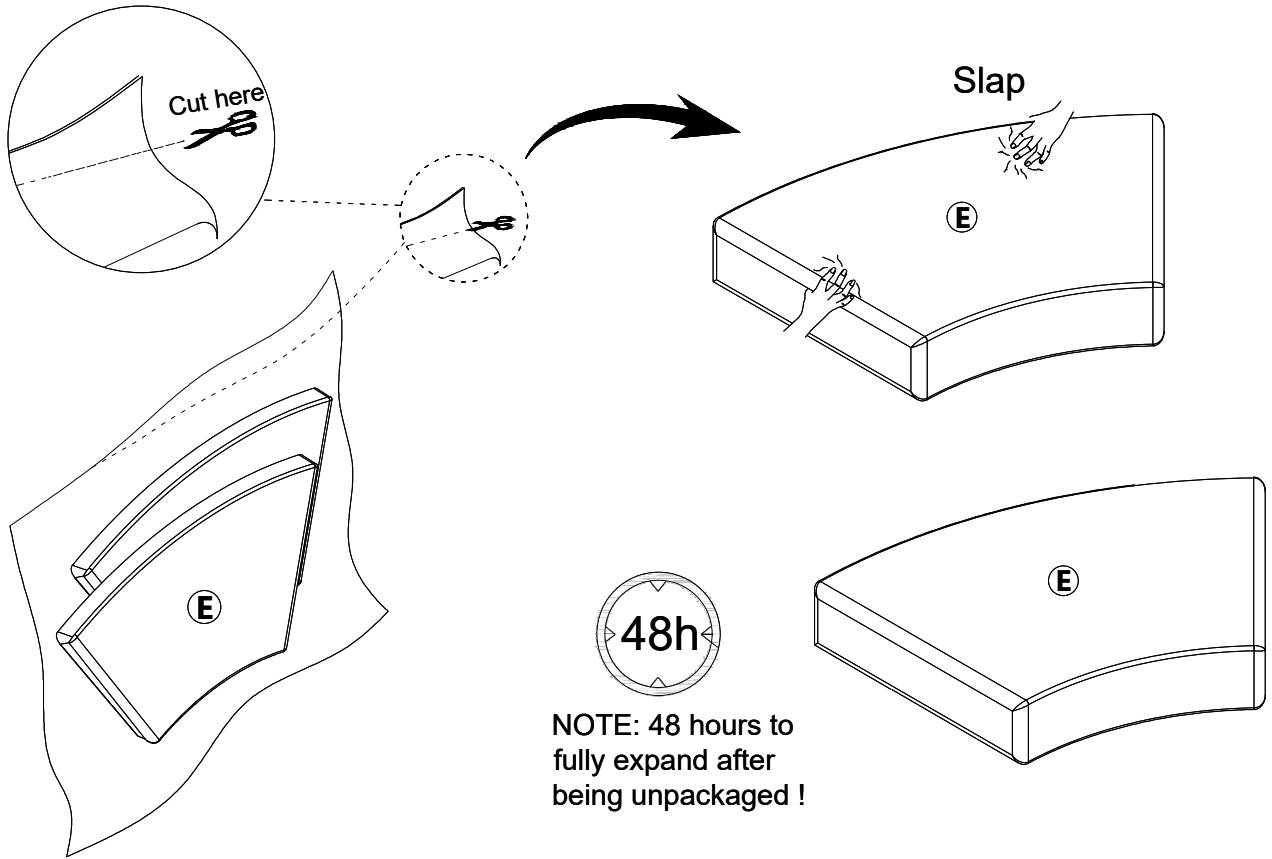
Note :
Fully tighten the bolts in sequence
after all bolts proper connected.



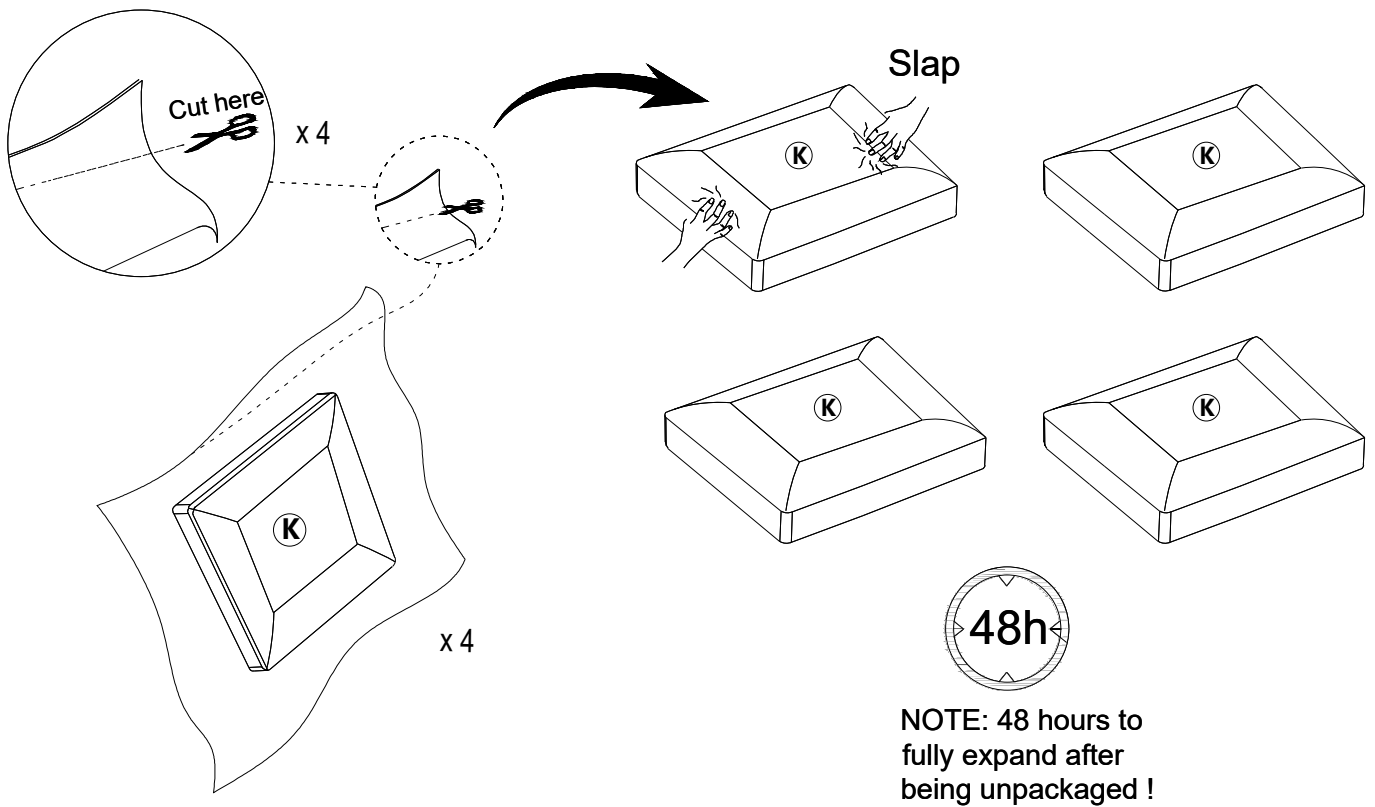
STEP 4







STEP 5

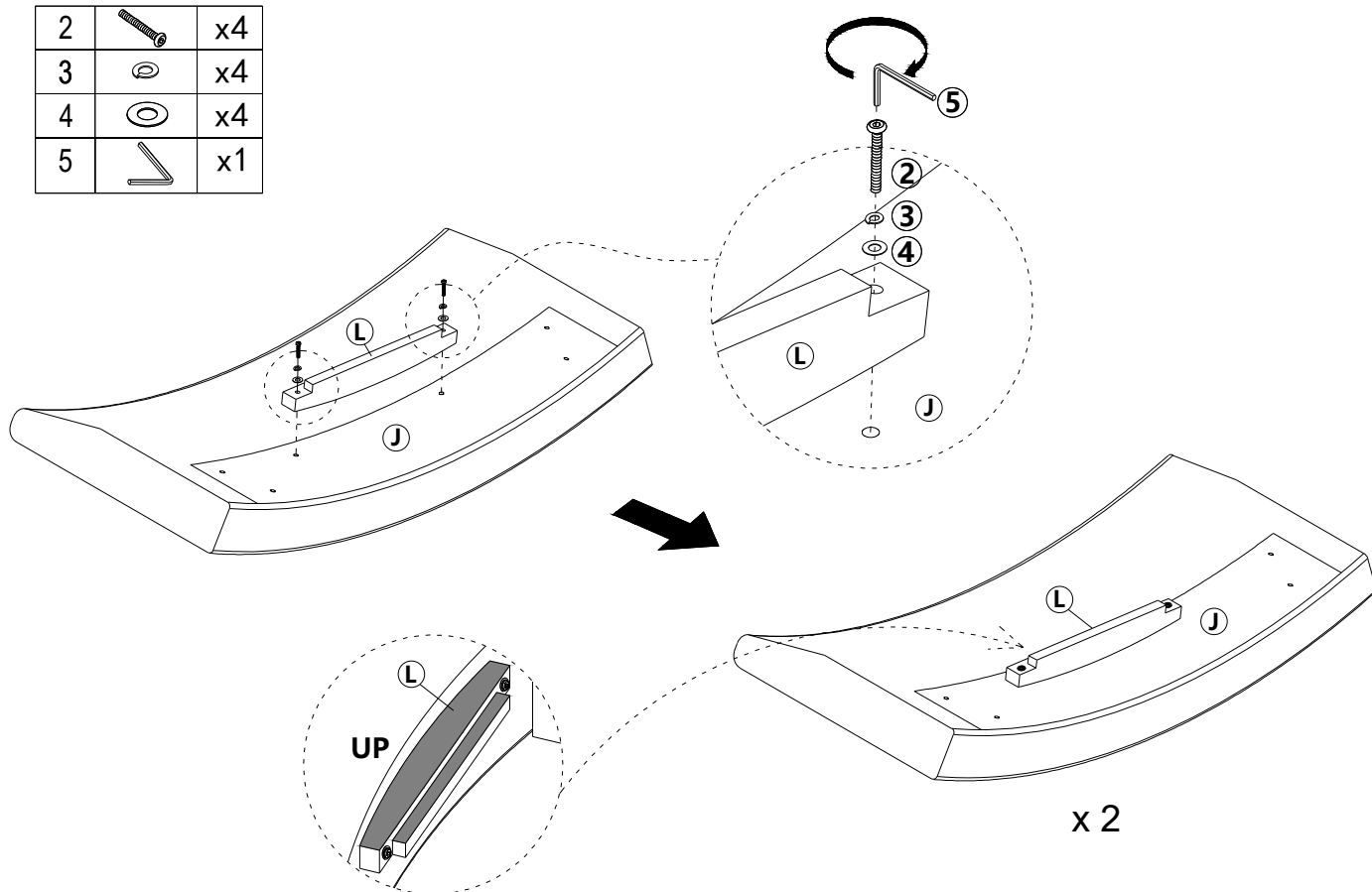


STEP 6

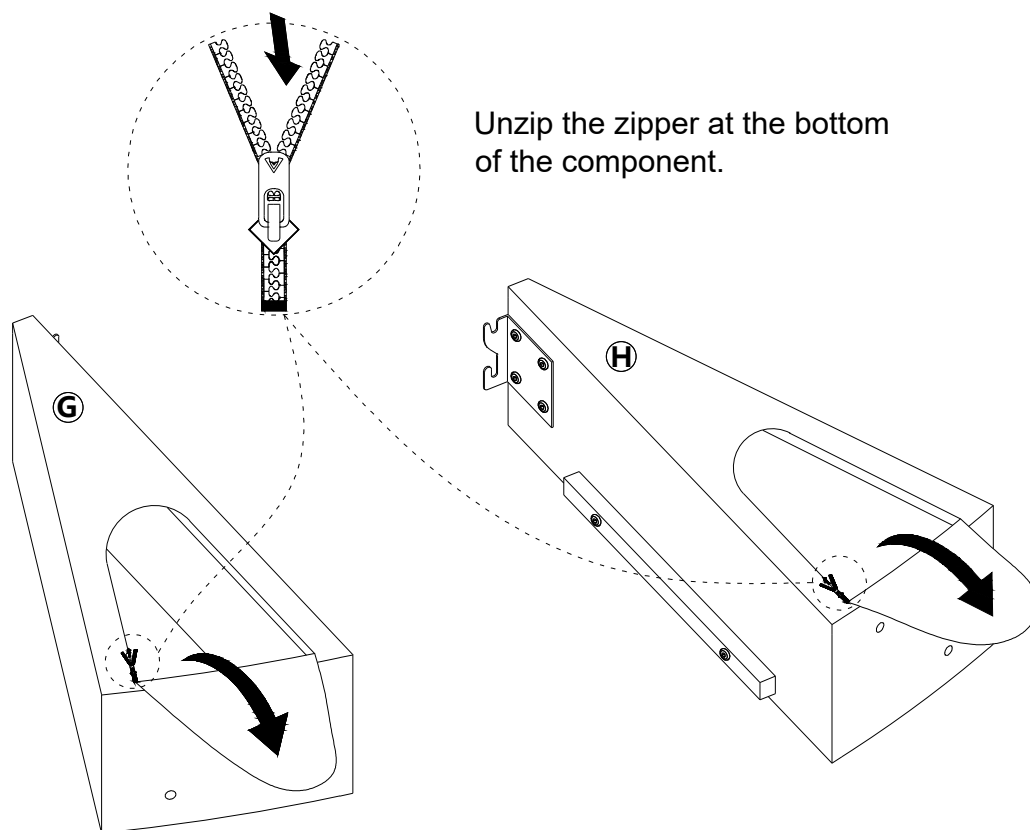


STEP 7




2		x4
3		x4
4		x4
5		x1

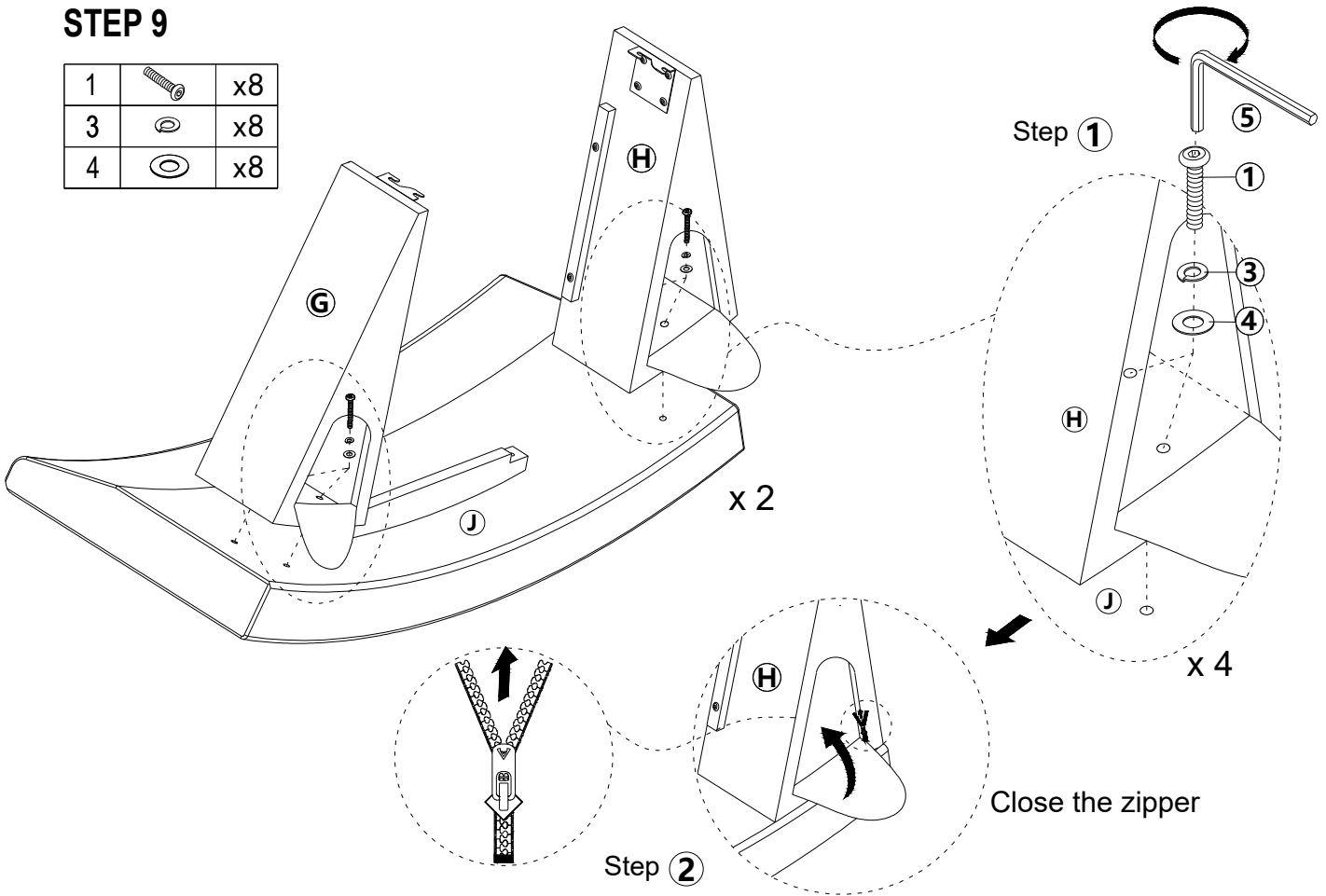


STEP 8

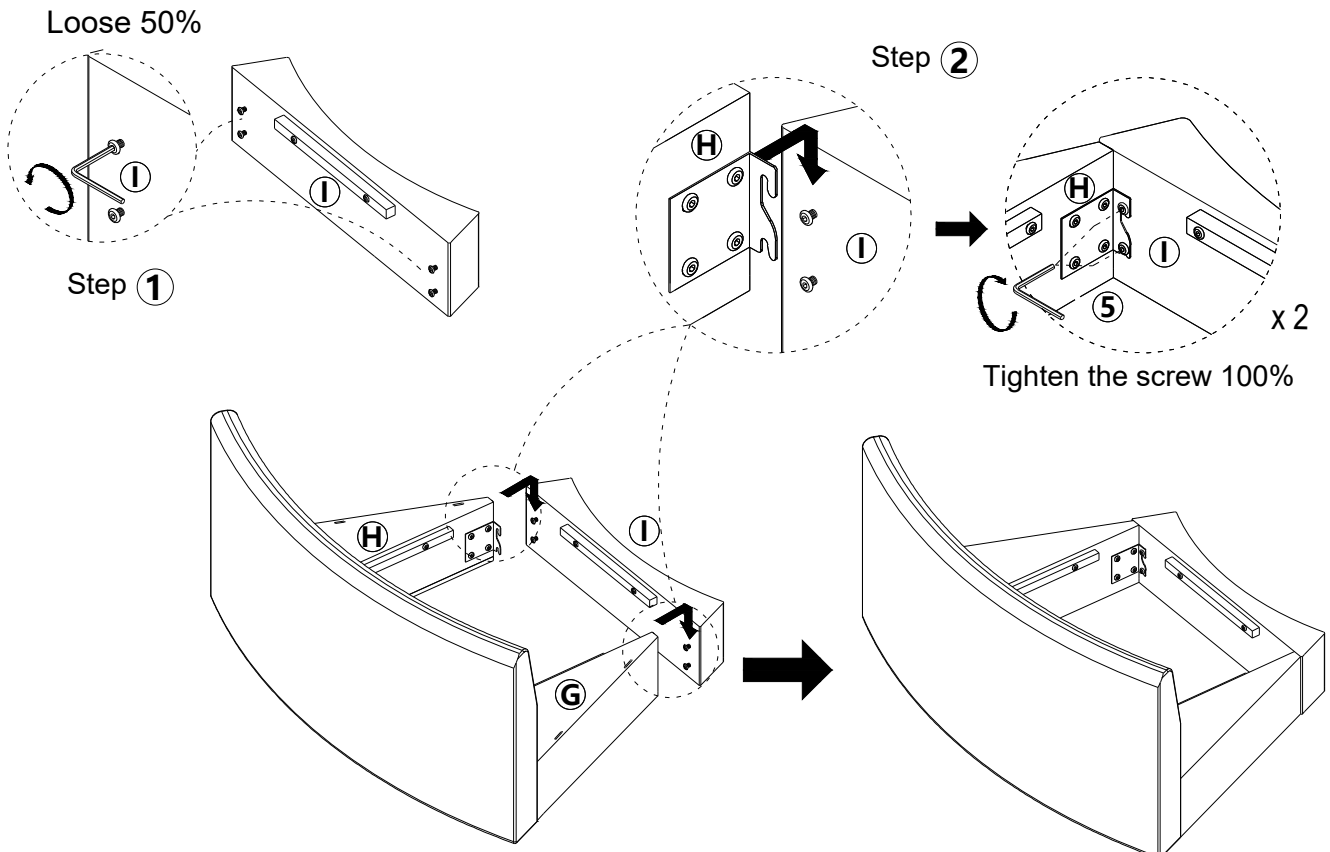


STEP 9



1		x8
3		x8
4		x8

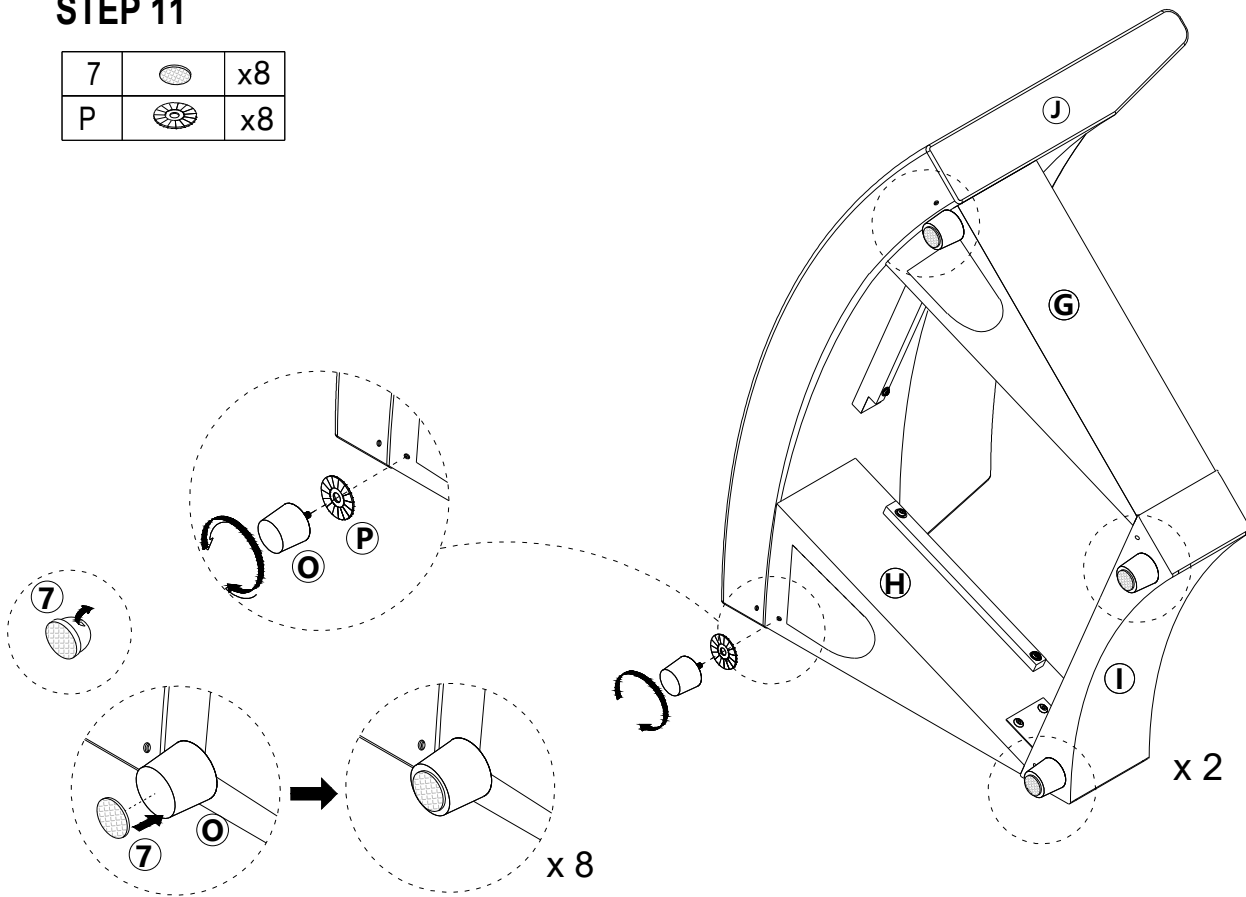


STEP 10

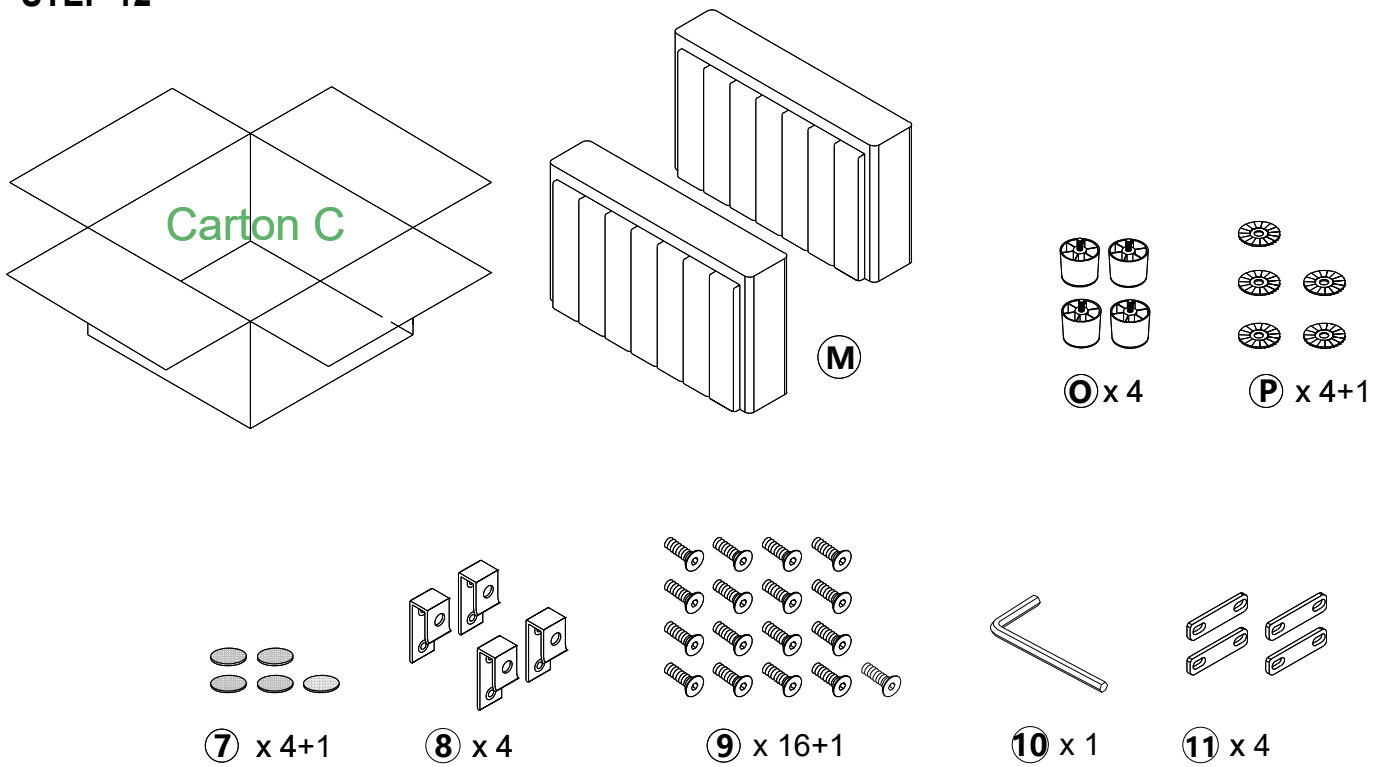


STEP 11

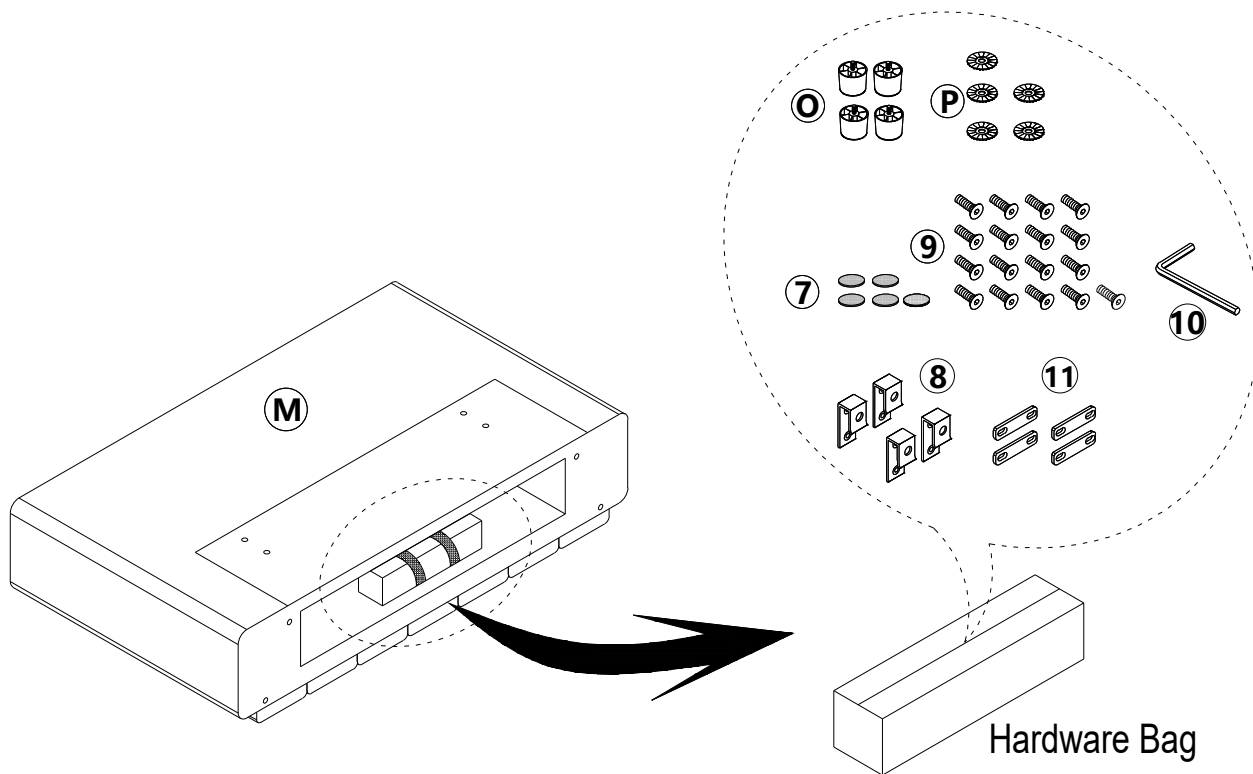
7		x8
P		x8



STEP 12

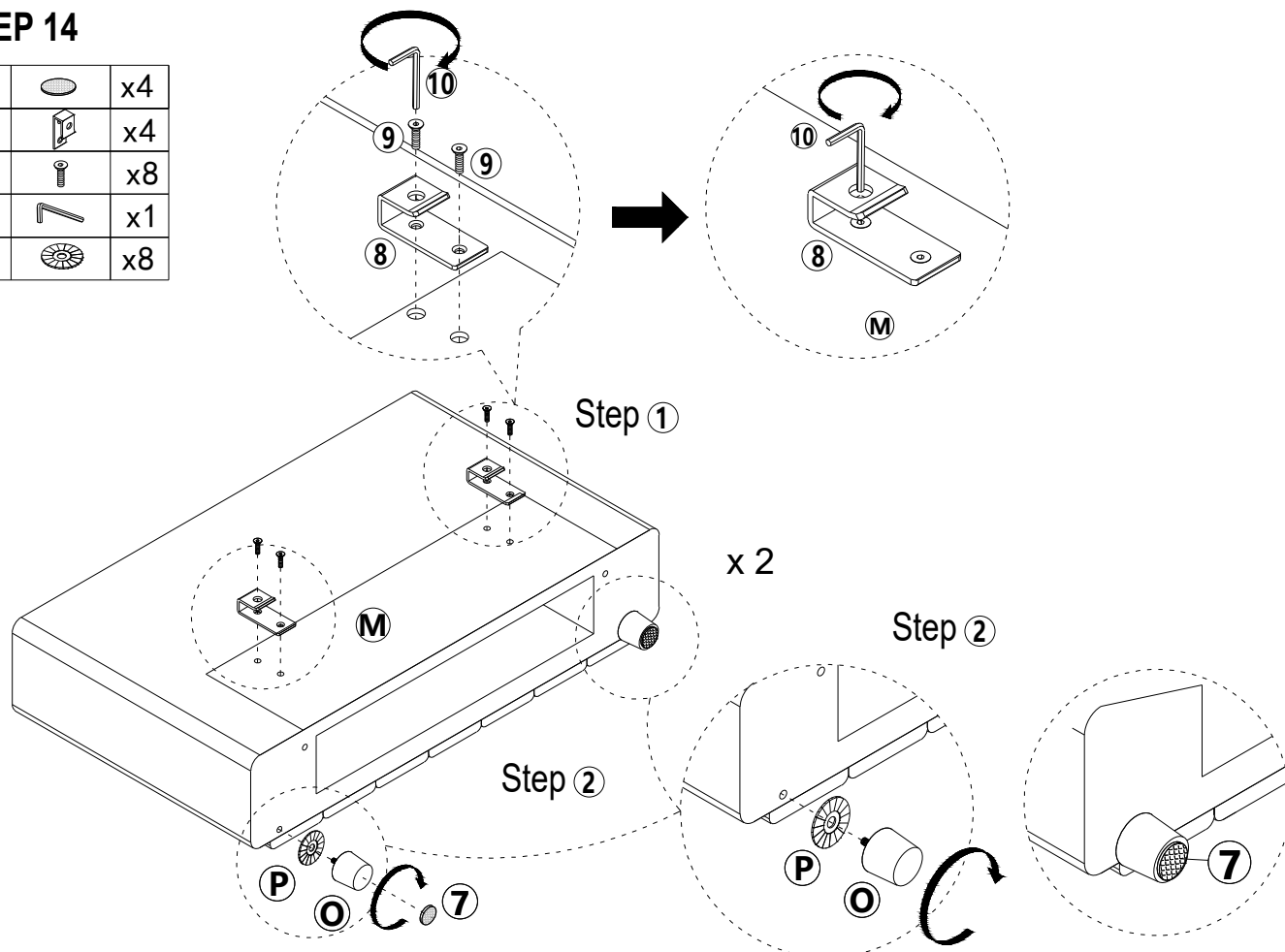


STEP 13

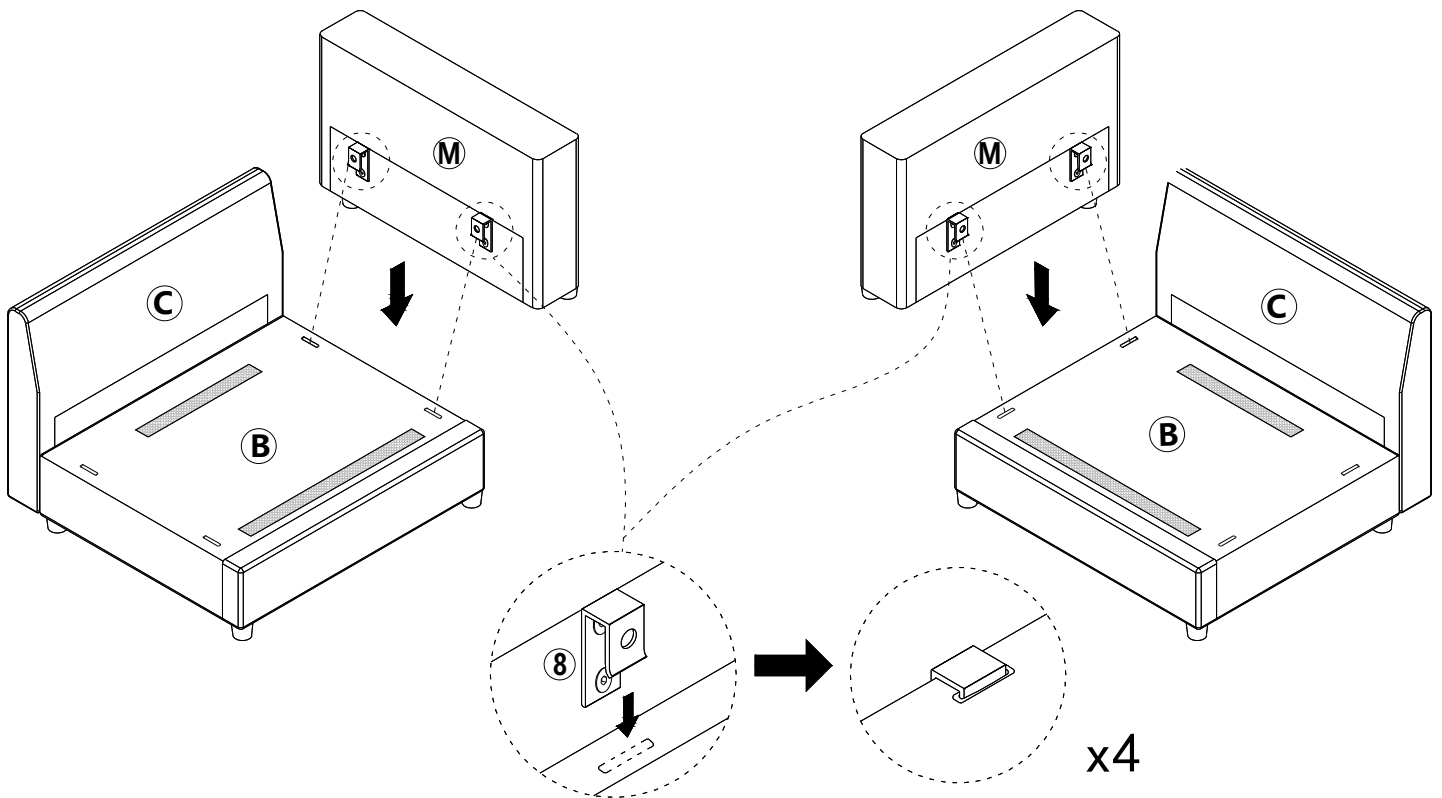


STEP 14



7		x4
8		x4
9		x8
10		x1
P		x8

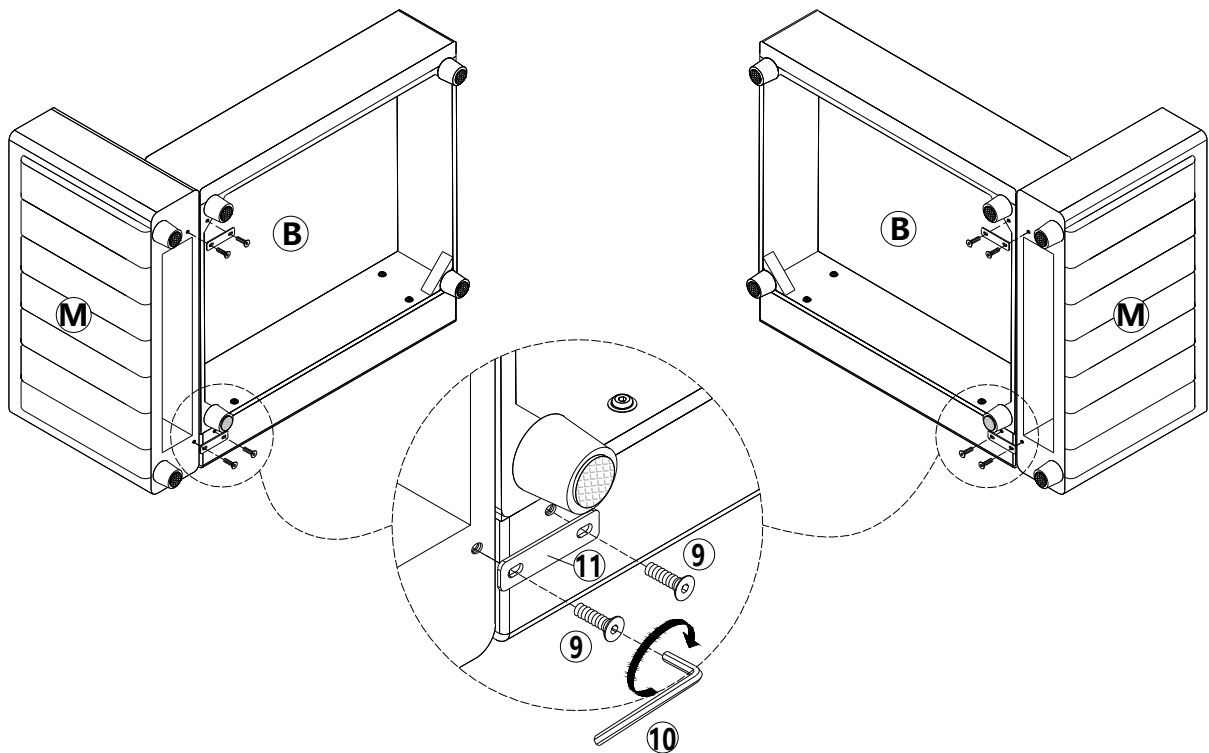


STEP 15 Assembly of Carton A and Carton C

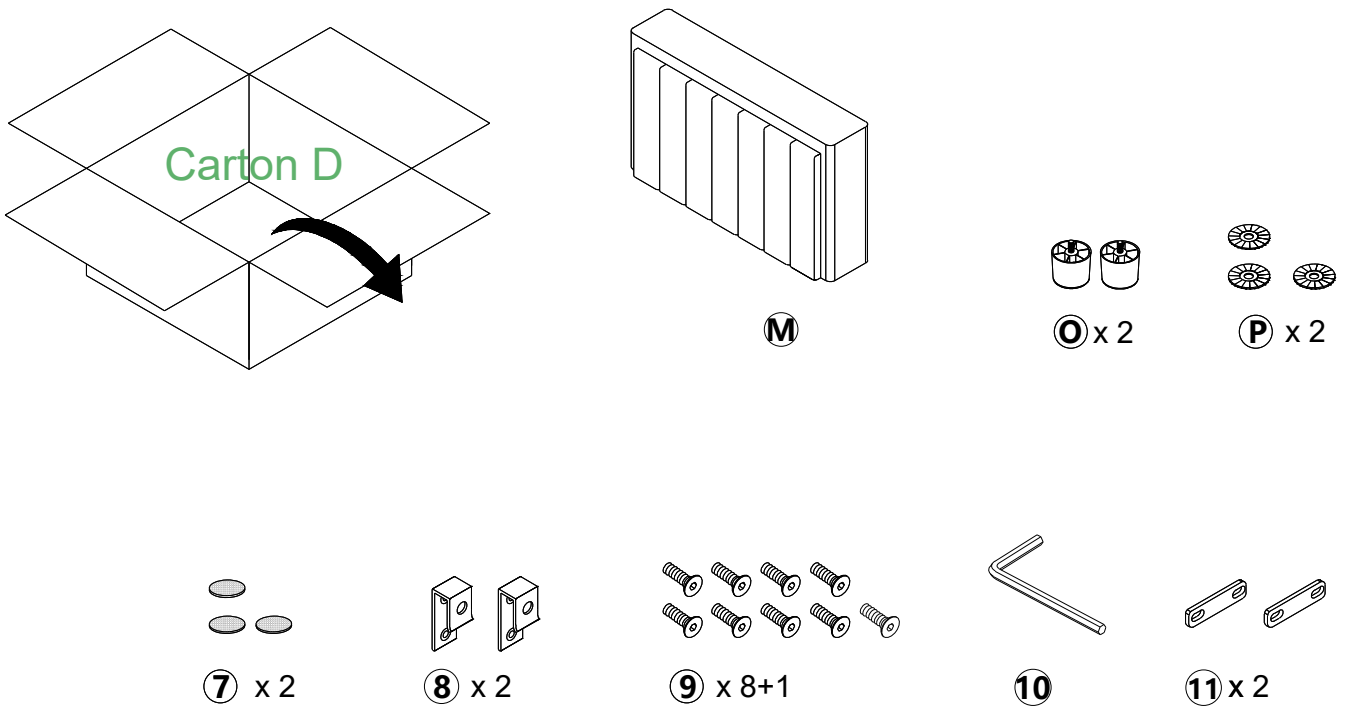


STEP 16

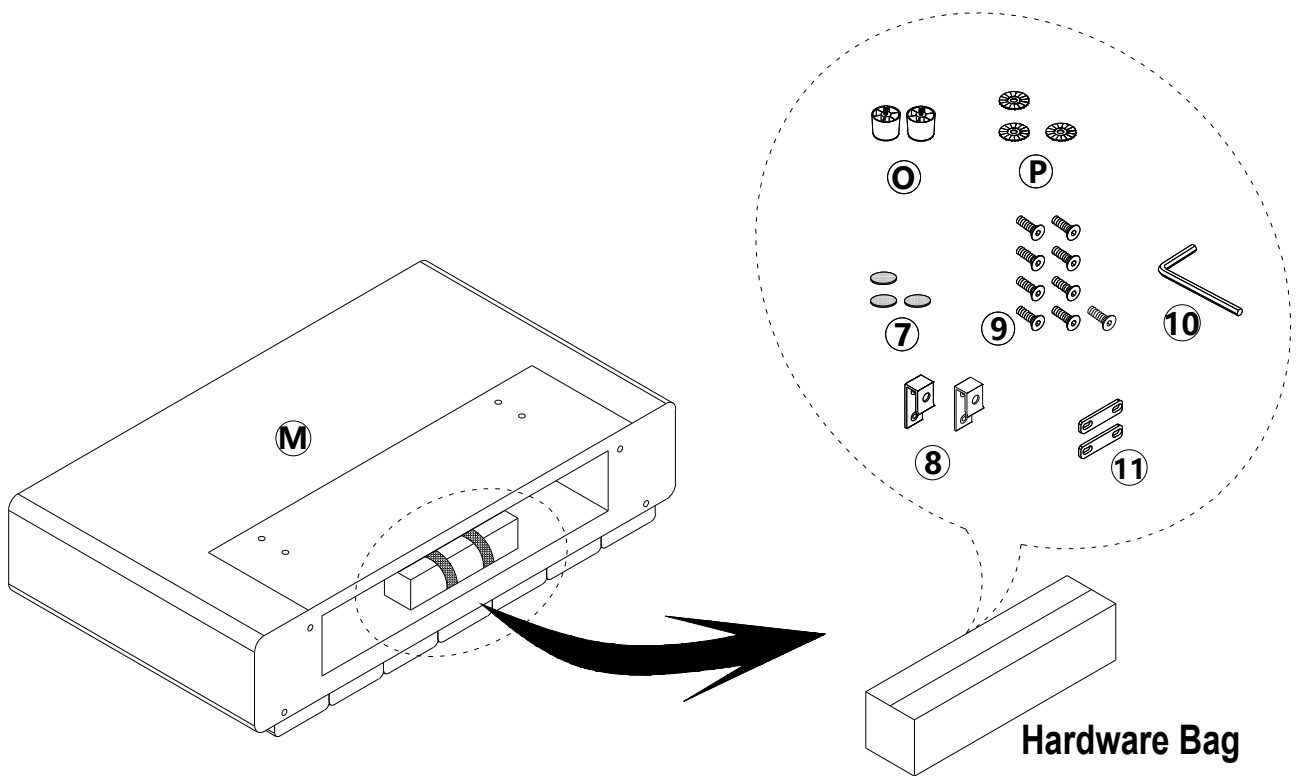
9		x8
11		x4








STEP 17

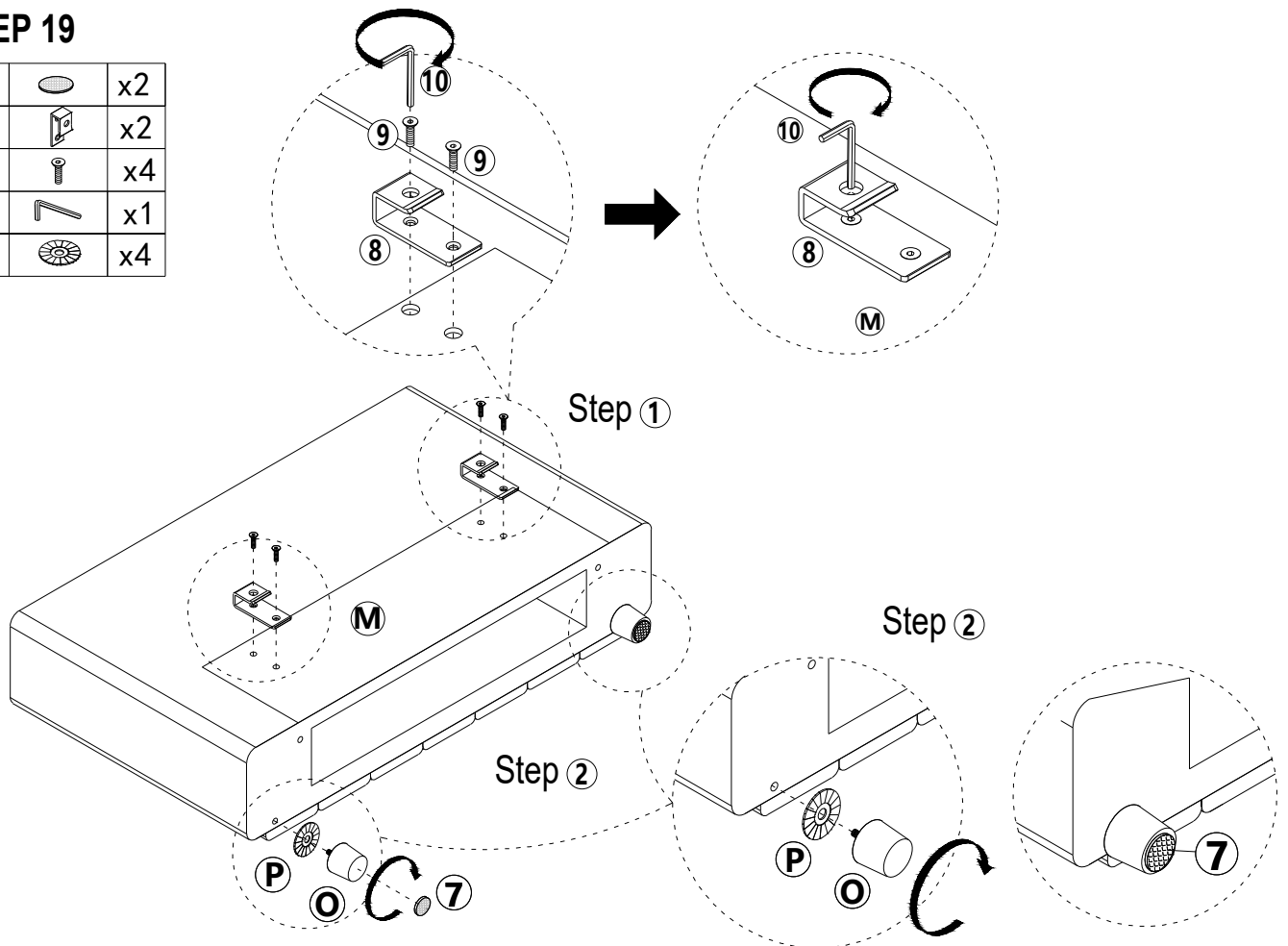


STEP 18



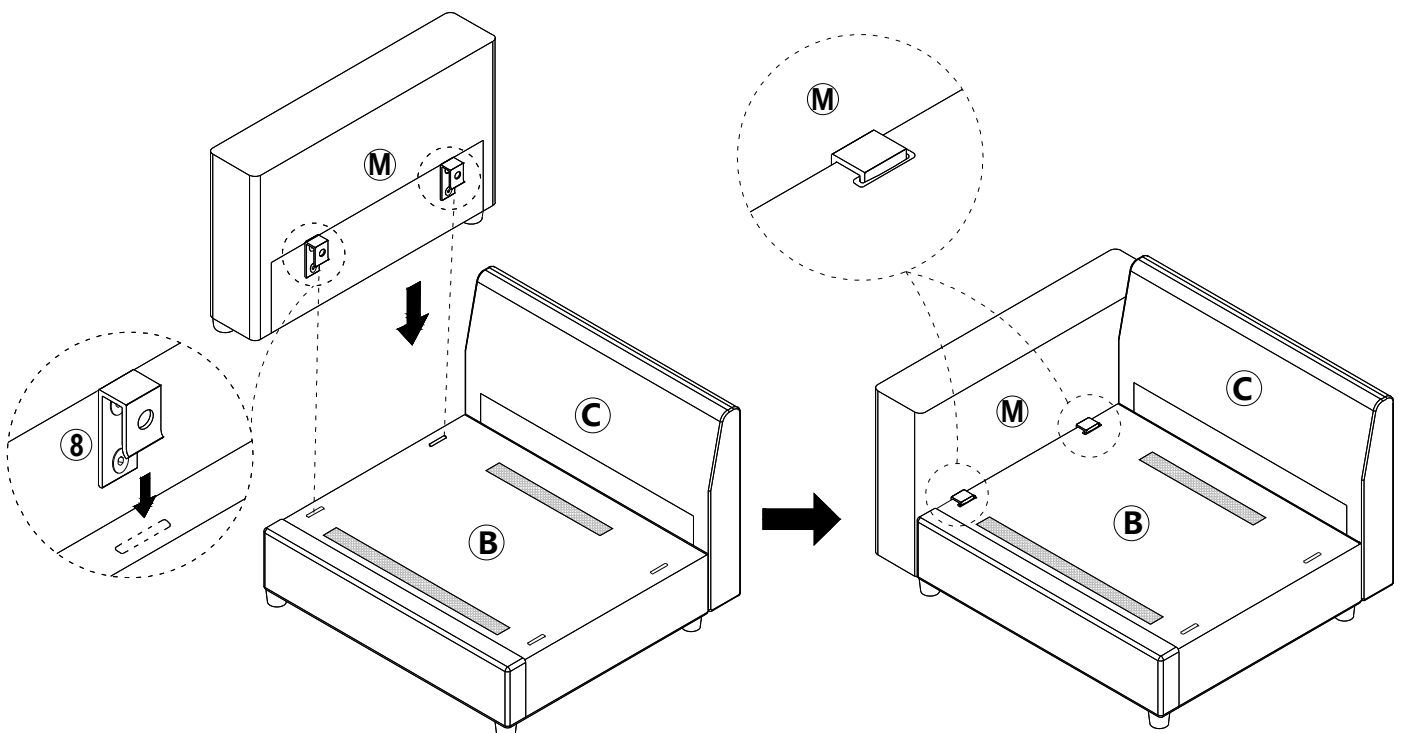
STEP 19

7		x2
8		x2
9		x4
10		x1
P		x4





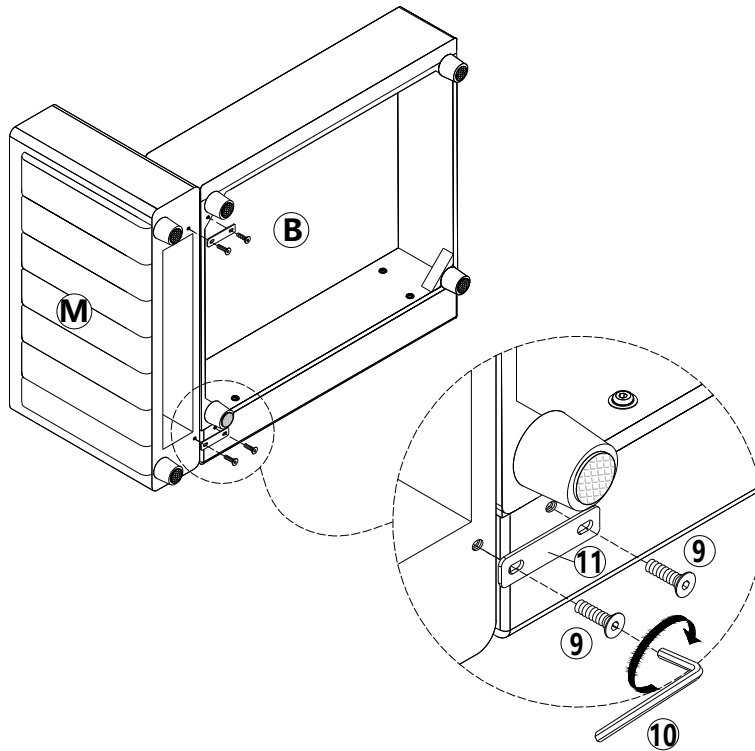
STEP 20

Assembly of Carton A and Carton D



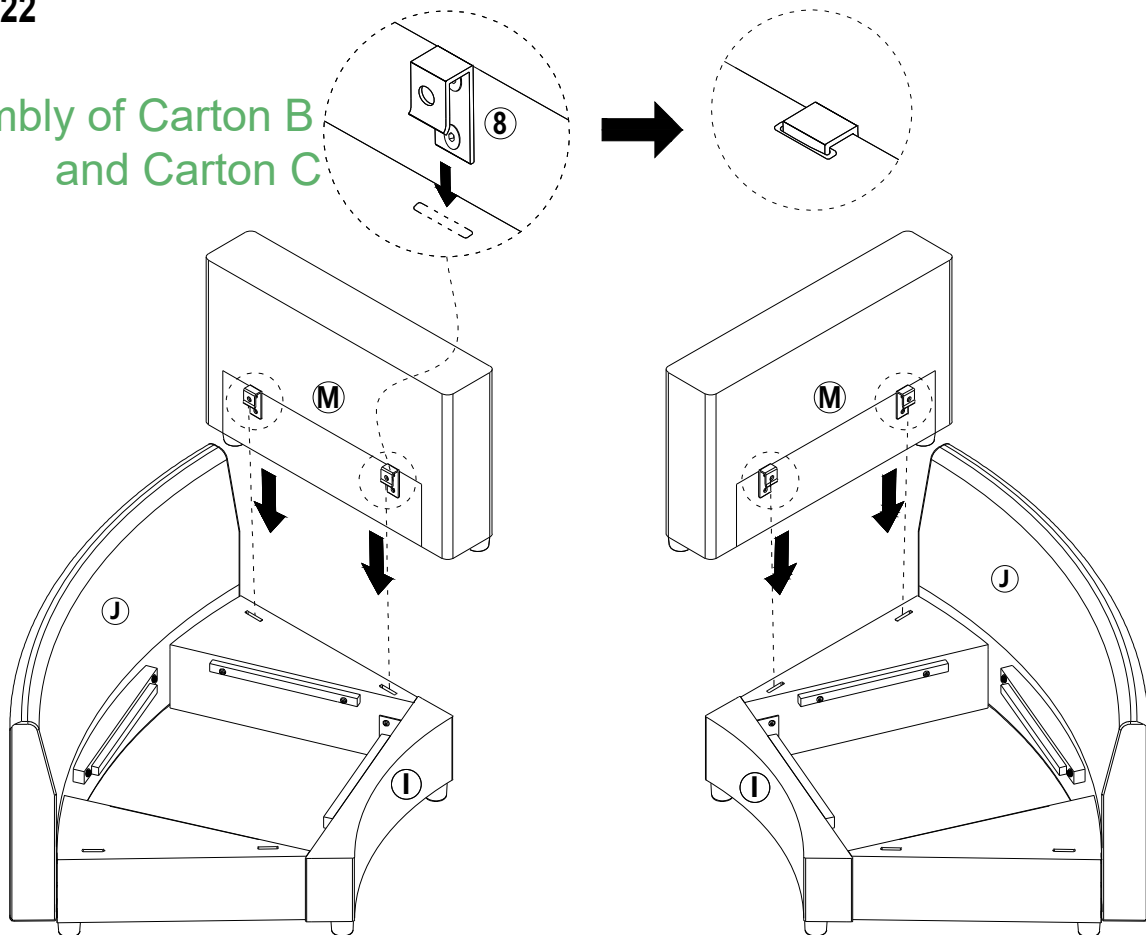
STEP 21

9		x4
11		x2





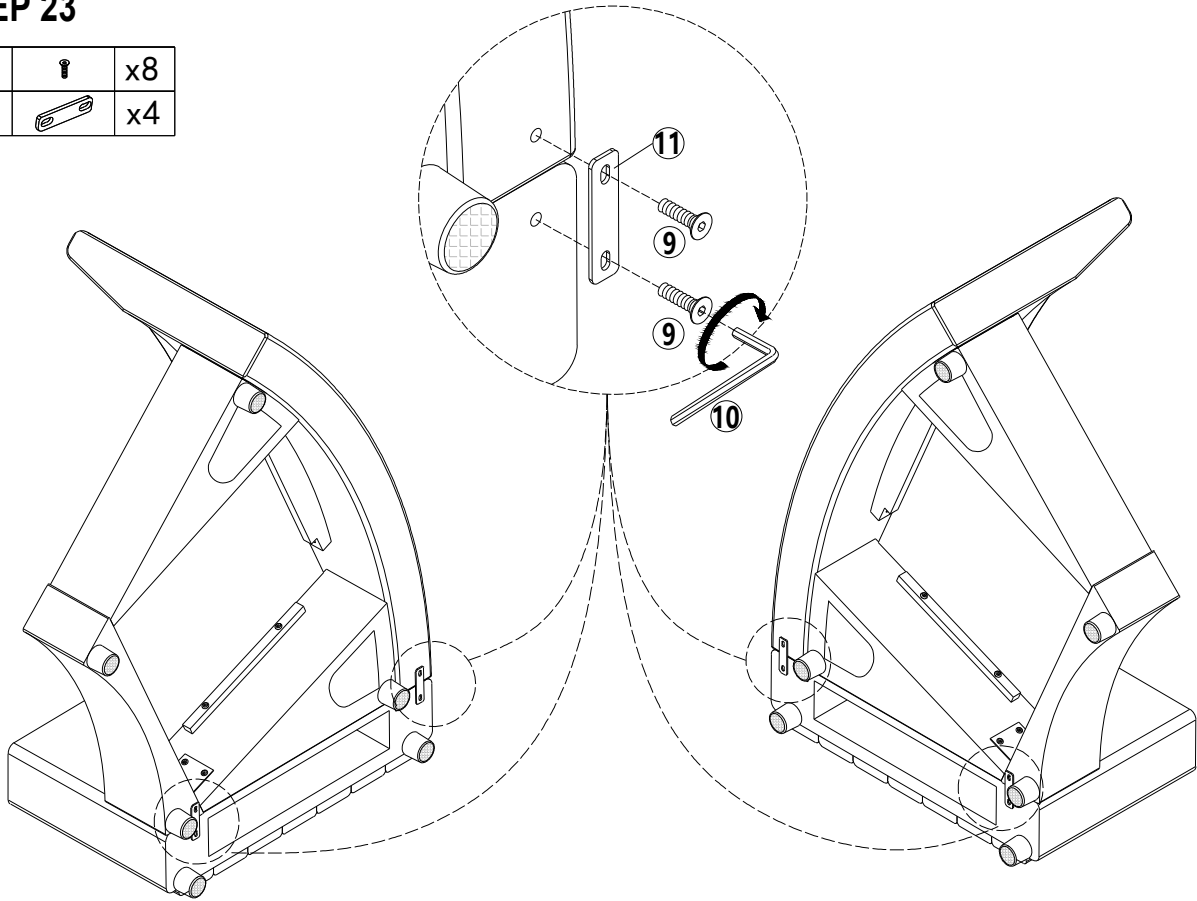
STEP 22

Assembly of Carton B
and Carton C

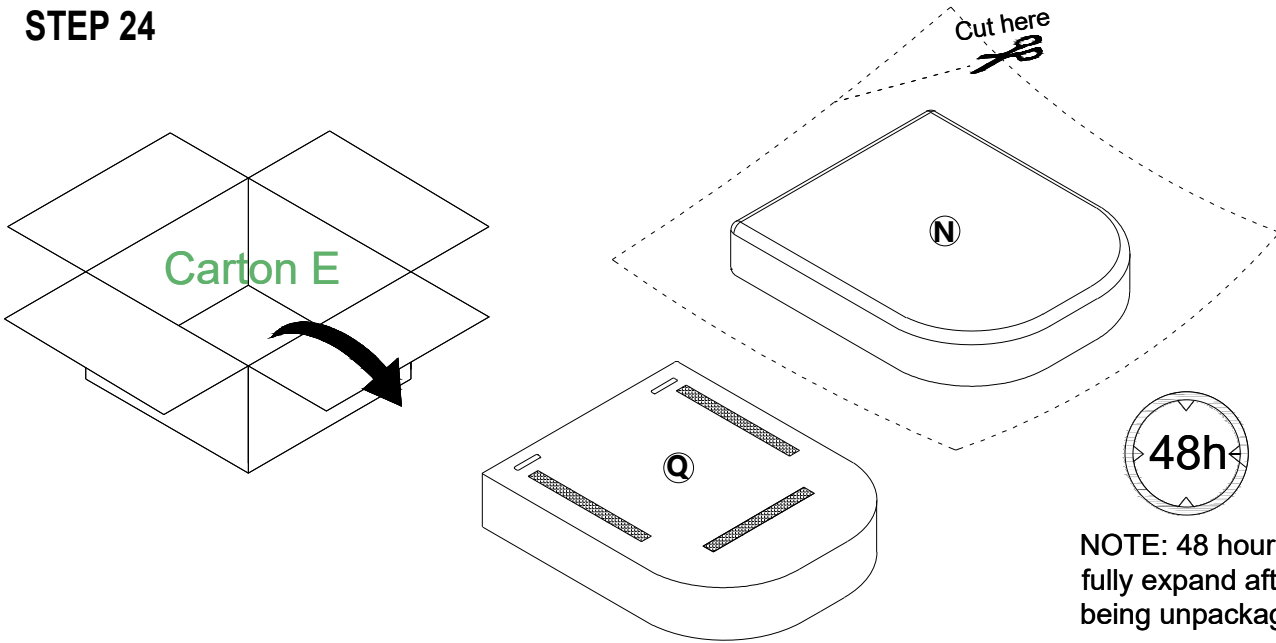


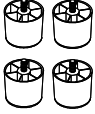
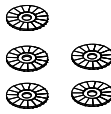
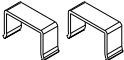
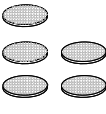
STEP 23

9		x8
11		x4





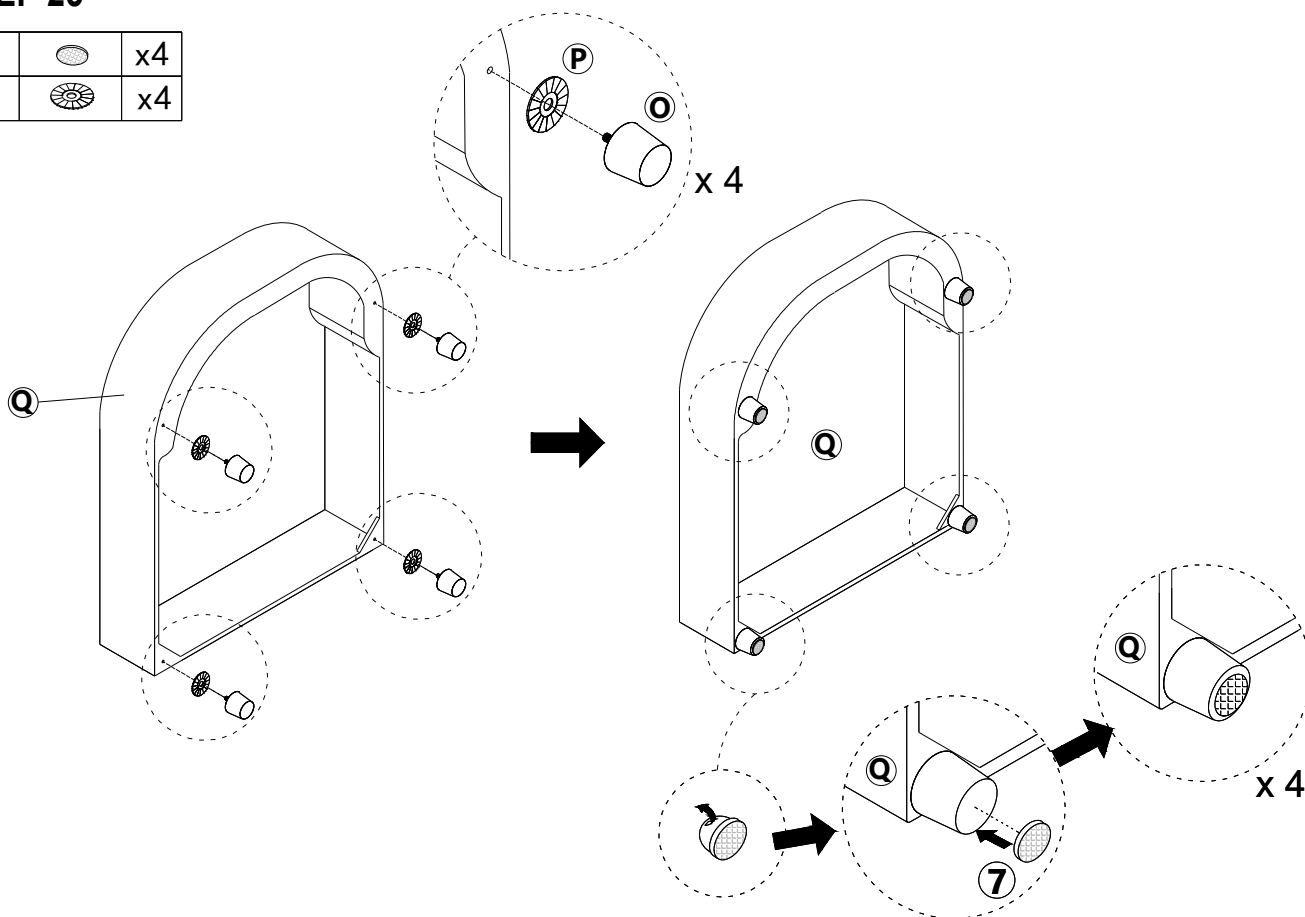
STEP 24



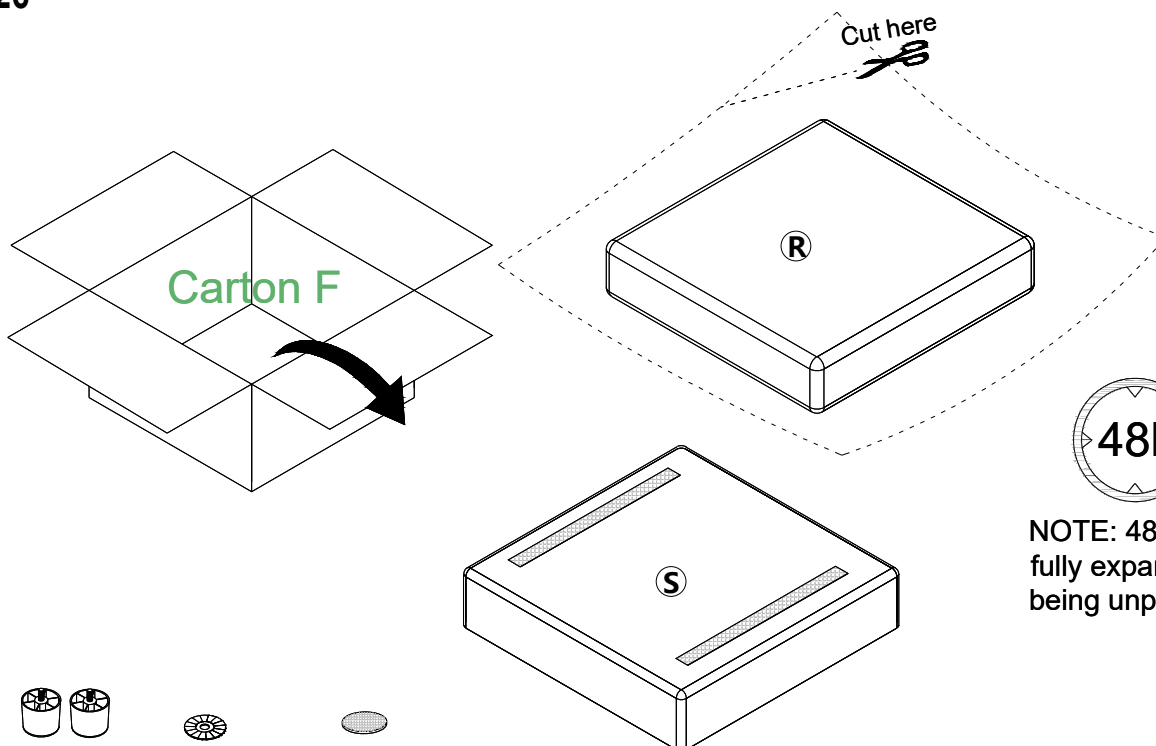
- 
⓪ x 4
- 
Ⓟ x 4
- 
Ⓠ x 2
- 
Ⓡ x 4

STEP 25

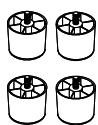
7		x4
P		x4



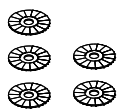
STEP 26



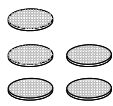
NOTE: 48 hours to fully expand after being unpackaged !



O x 4





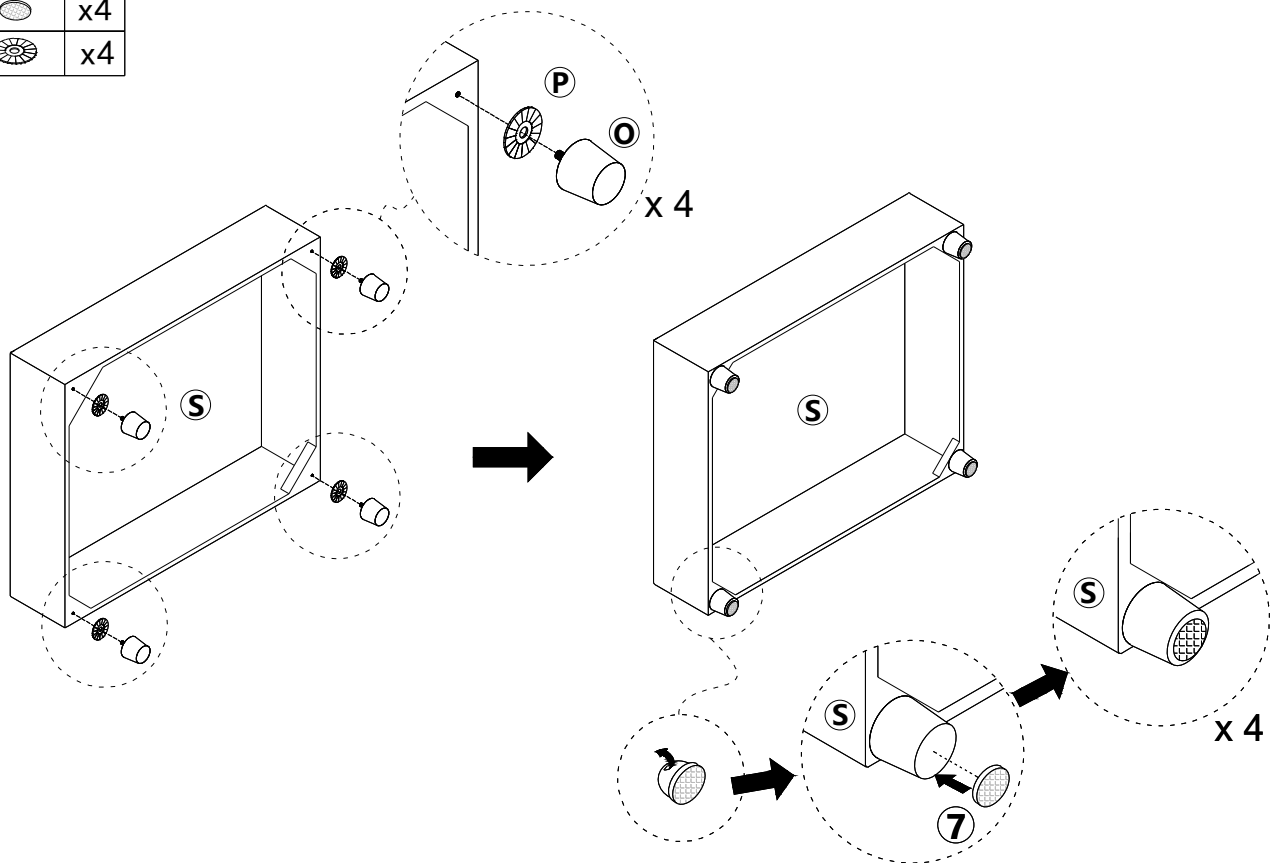
P x 4



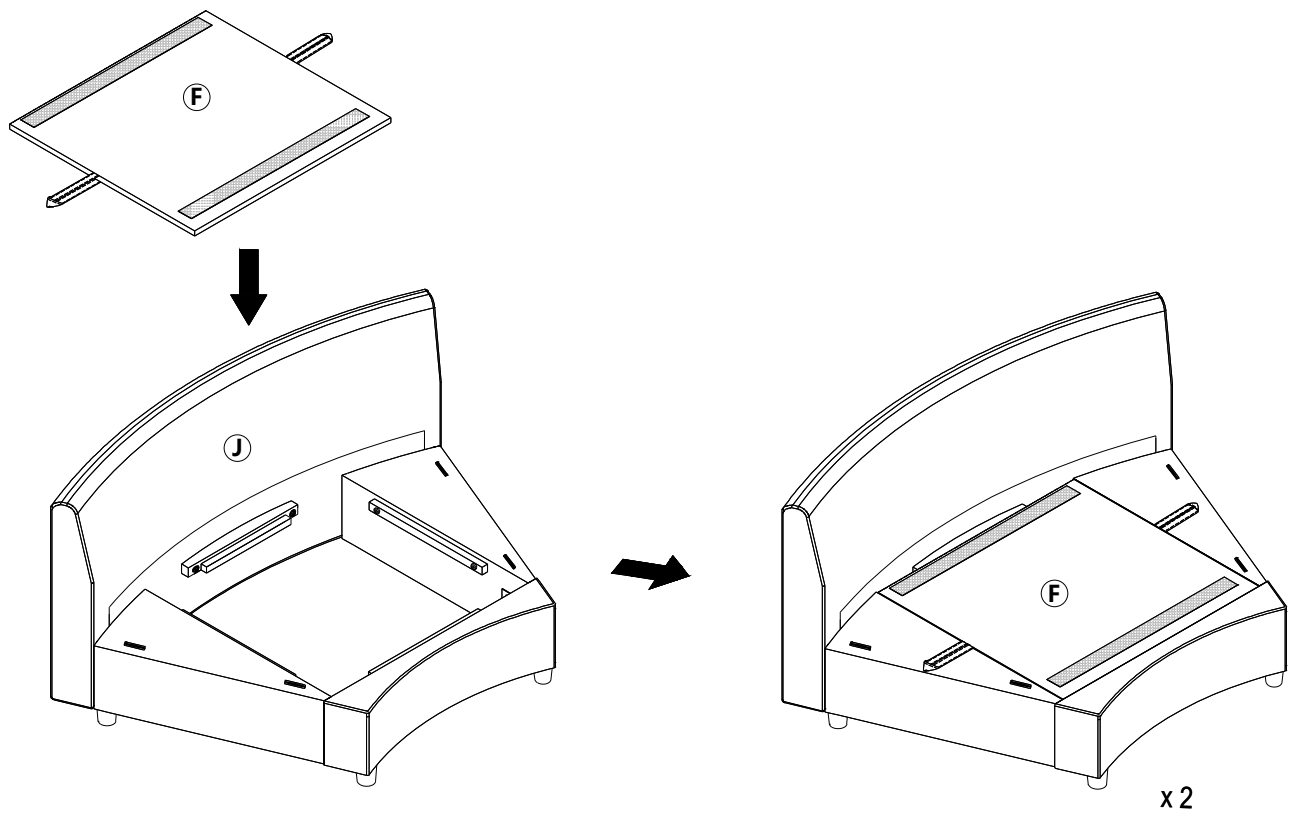
7 x 4

STEP 27

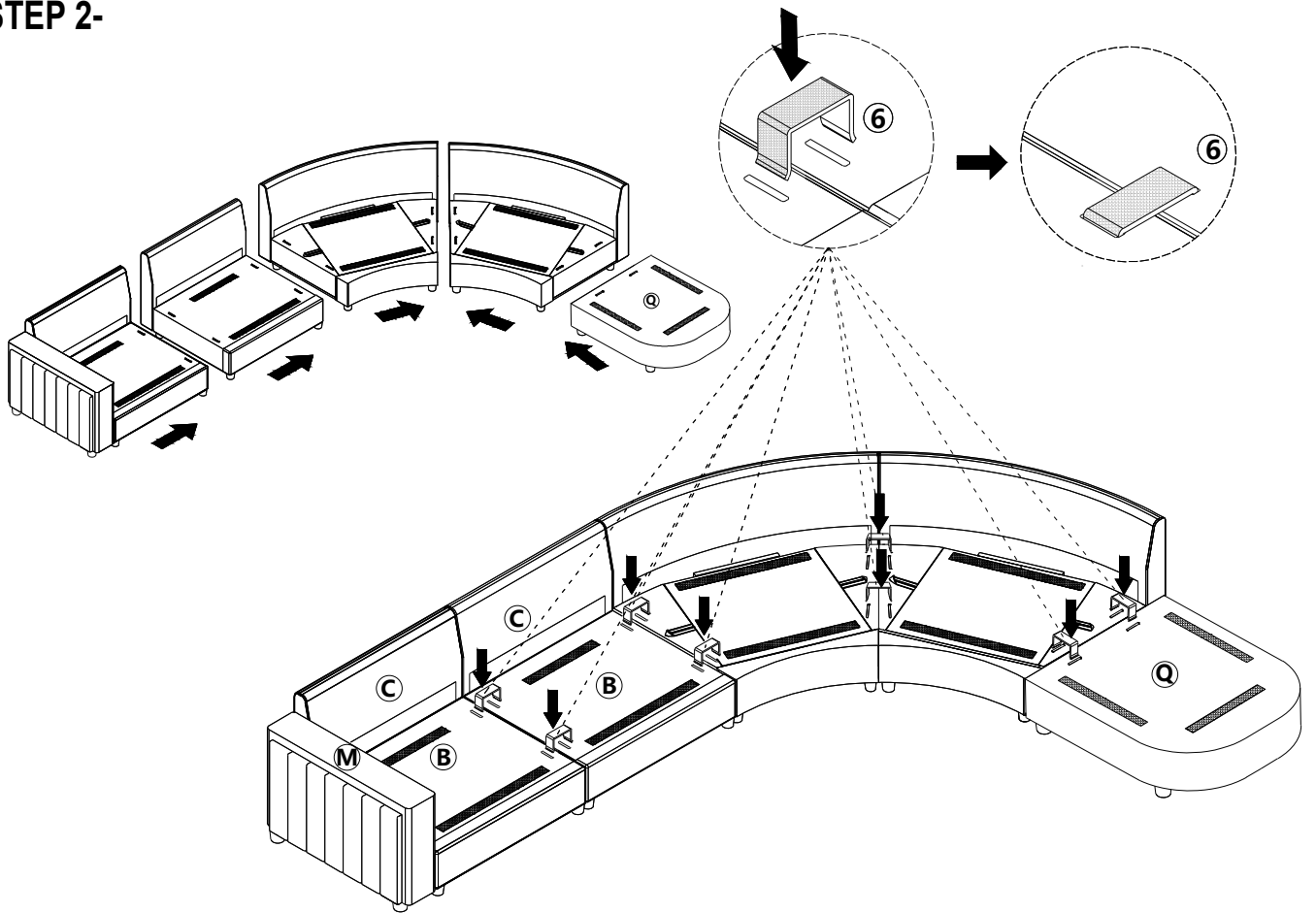
7		x4
P		x4



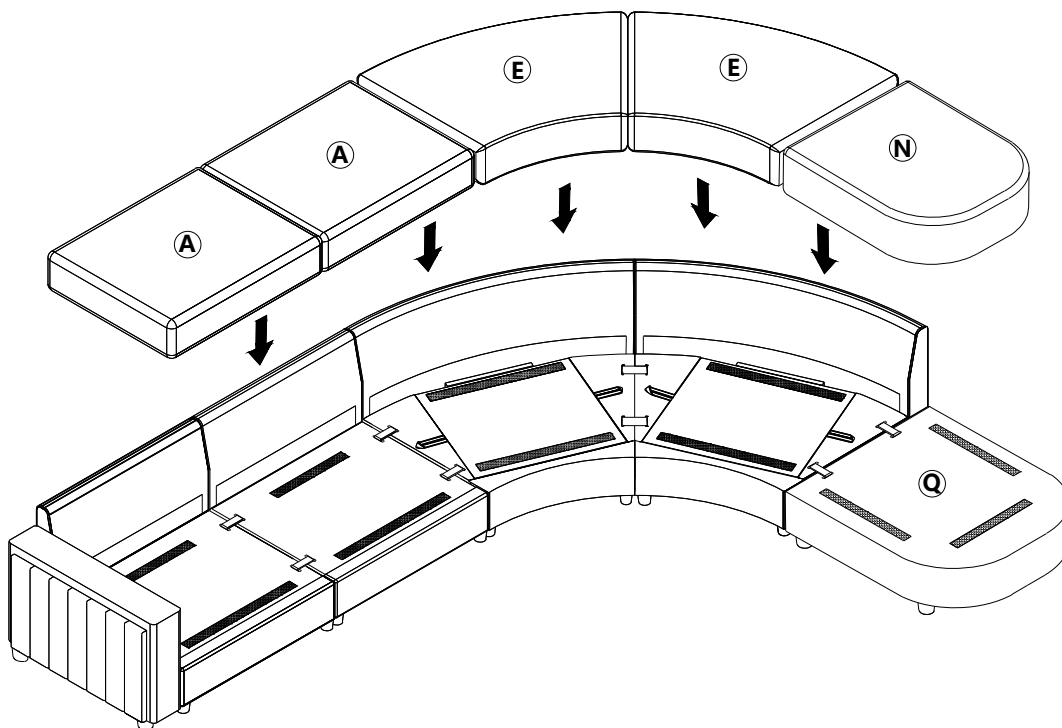
STEP 28



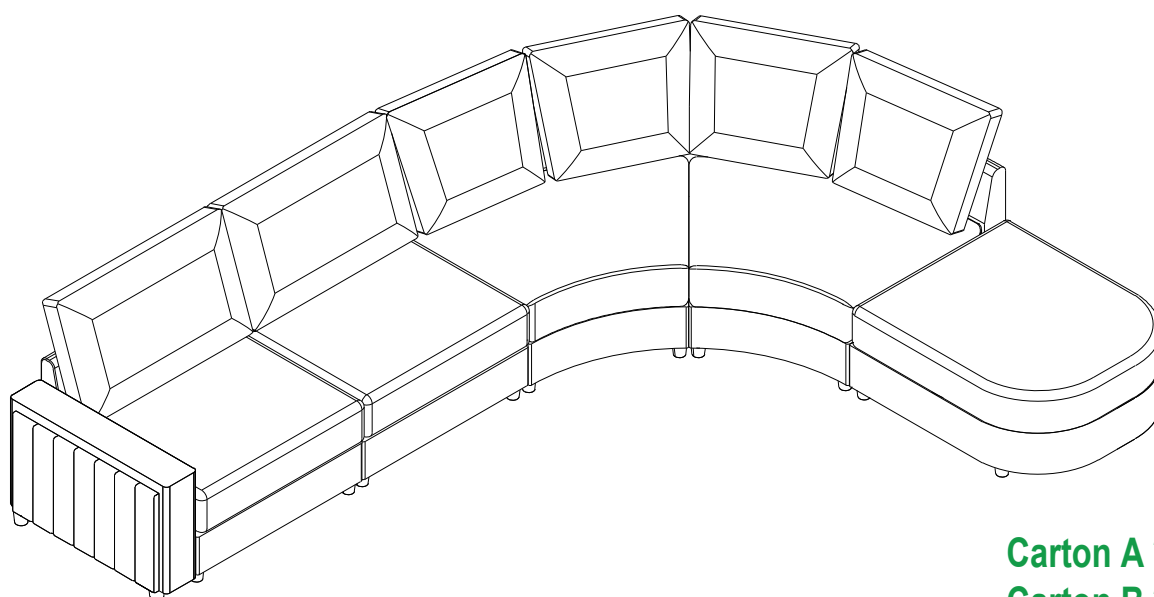
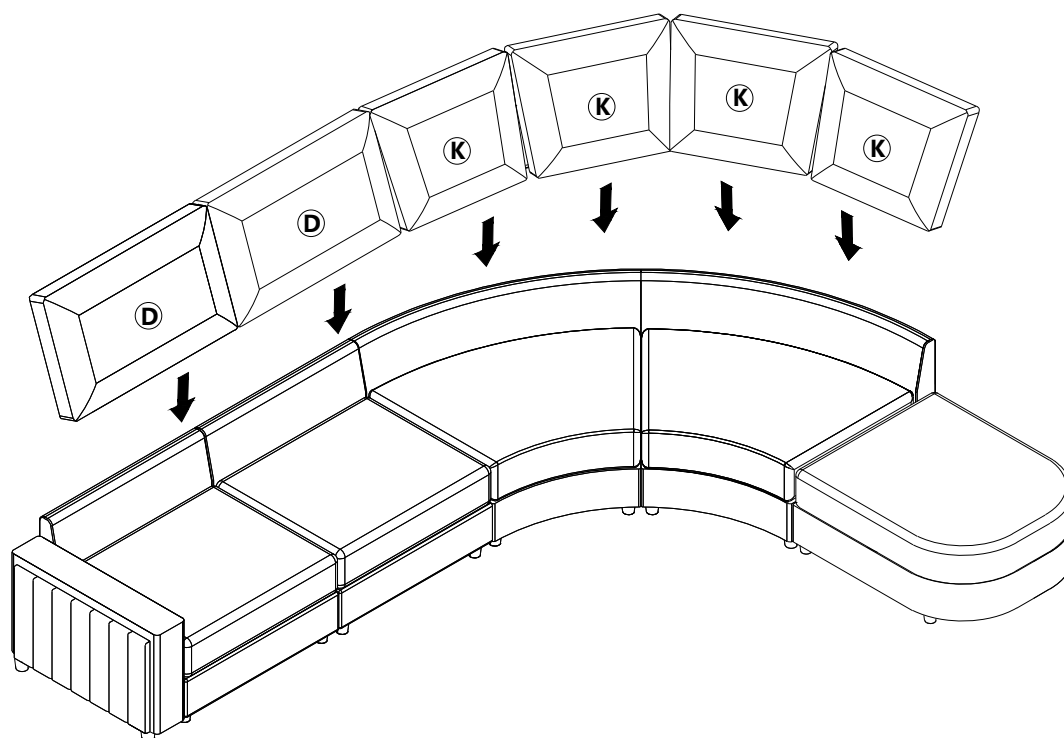
STEP 2-



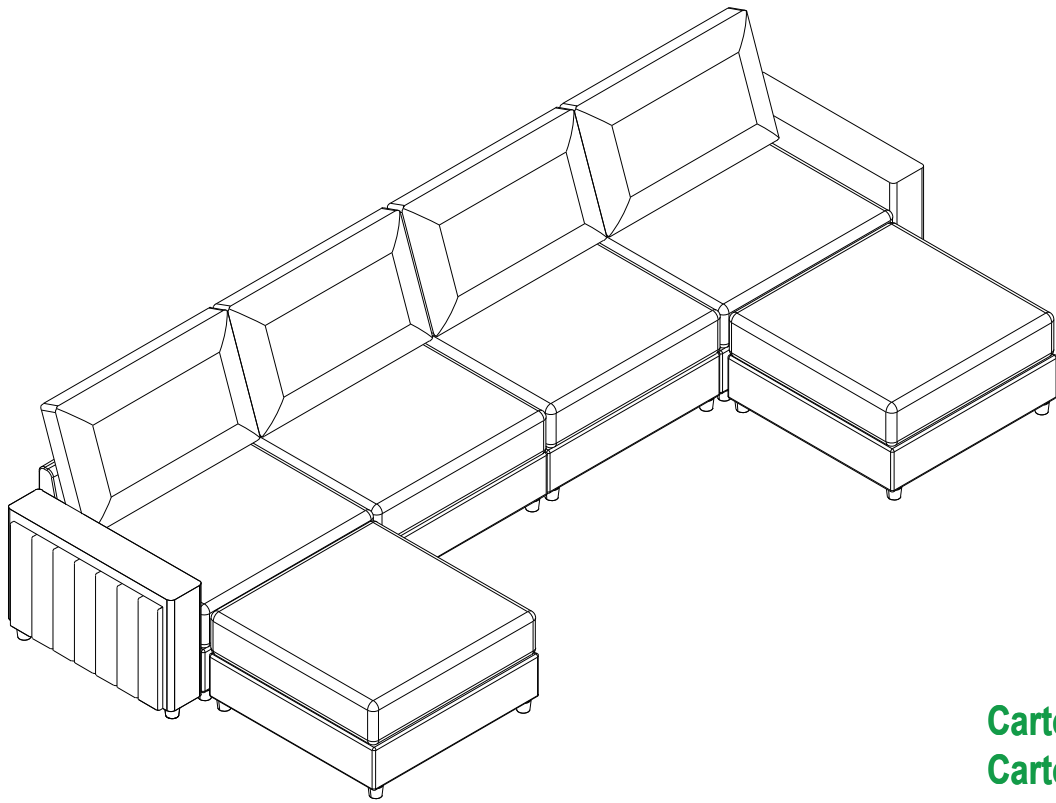
STEP ' \$



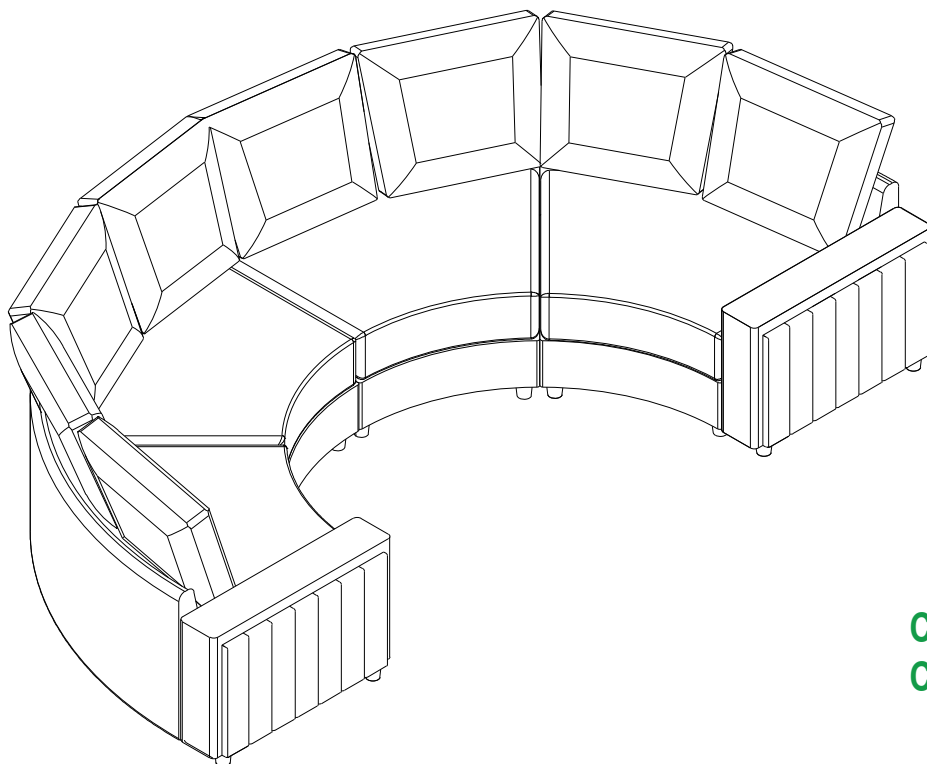
STEP 1 %



Carton A * 2
Carton B * 1
Carton D * 1
Carton E * 1



Carton A * 4
Carton C * 1
Carton F * 2



Carton B * 2
Carton C * 1

MAINTENANCE AB< WAFB=B;

- Keep furniture away from heat.
- Do not clean furniture with harsh cleansers or polish. Do not use detergents, Solvents, abrasives, spray packs or leather cleaner. Use non-color mild soap with warm water clean spills(Mix 1:10 soap to water)
- Do not place furniture under direct sunlight, material will possibly fade over time.
- Do not use on site dry Cleaning machine.
- Children should not climb or jump on the furniture.
- Do not write on furniture without a padded barrier to protect the surface.
- Not for commercial use, For residential use only.
- The maximum load is 300 LBS/each.

WARRANTY

We strive to offer high , quality products, and we also try our best to satisfy each and every customer that orders from us with product or service as needed. We provide 30 days warranty starting from the time you receive the item. Each customer must provide a record of their order such as the order number, or item receipt for any items that are out of the warranty period you may also still receive replacement parts by purchasing them with our company if they are available.

Are you having difficulty with assembly? Missing parts? Please send email with your order For return, please check the return policy with the retailer or market place you bought from. Appreciate your purchasing from us. Pop up your life by our furniture piece!