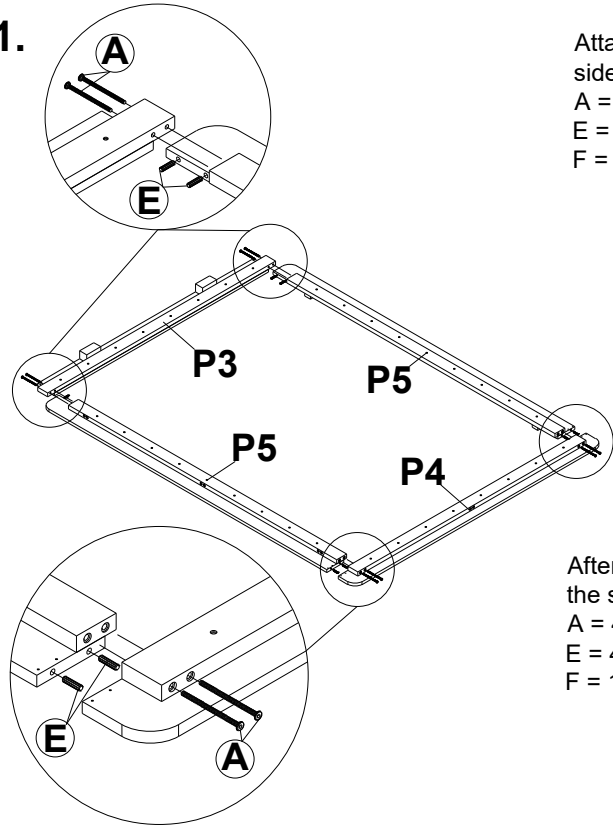


# SW 8598 - Q/K

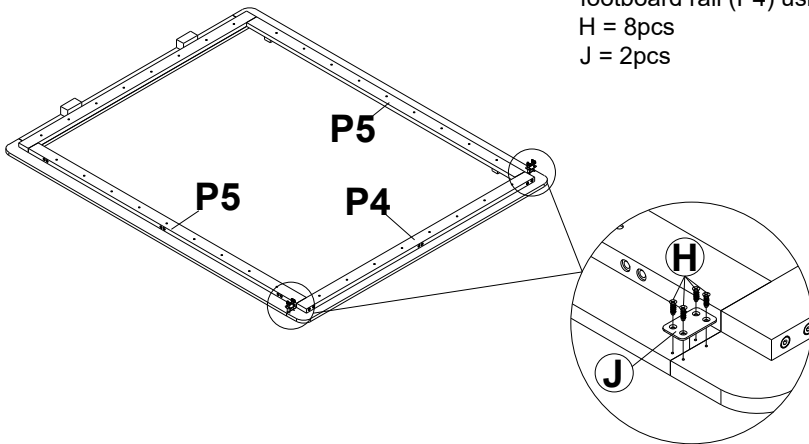
1.



Attach the headboard rail (P3) to the side rail (P5) using hardware:  
 A = 4pcs  
 E = 4pcs  
 F = 1pc

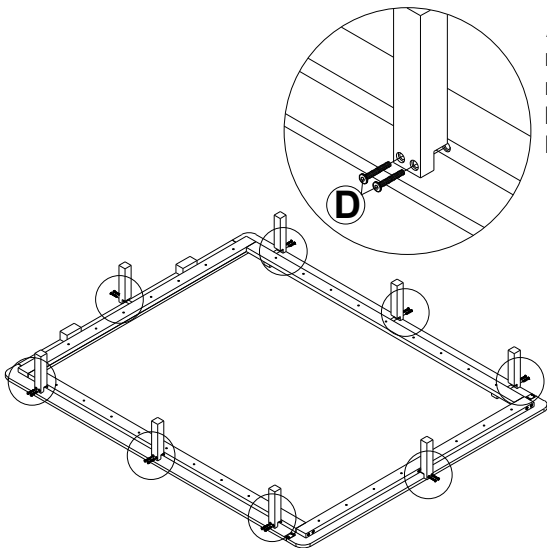
After, attach the footboard rail (P4) to the side rail (P5) using hardware:  
 A = 4pcs  
 E = 4pcs  
 F = 1pc

2.



Attach the side rail (P5) to the footboard rail (P4) using hardware:  
 H = 8pcs  
 J = 2pcs

3.

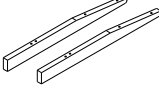
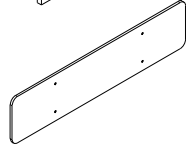
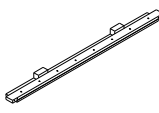
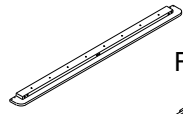
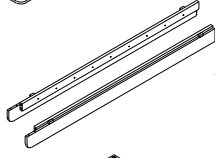
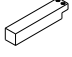
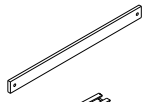
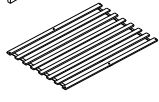



Attach the post (P6) to the headboard rail (P3), footboard rail (P4) and side rail (P5) using hardware:  
 D = 16pcs  
 F = 1pc







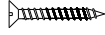
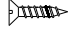


## WARNING!!

- Remove hardware from box and sort by size.
- Please check to see that hardware and parts are present prior start of assembly.
- Please follow attached instruction in the same sequence numbered to ensure fast and easy assembly.
- Do not use this bed if any part is broken, torn or missing.
- The assembly of this product requires two people.
- Do not use any power tools as this may damage the frame and will invalidate any claim.

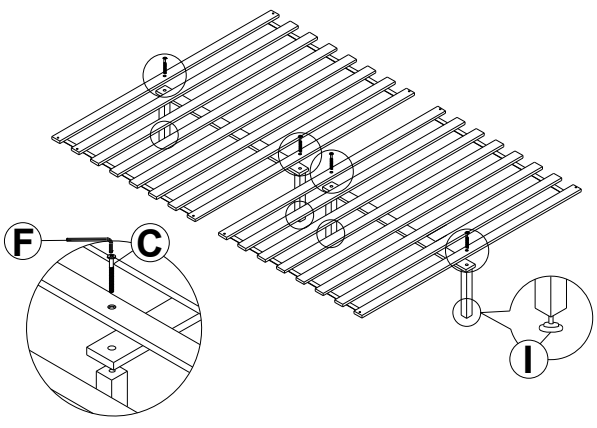
## PART LIST

P1		Headboard Post = 2pcs
P2		Headboard Panel = 1pc
P3		Headboard Rail = 1pc
P4		Footboard Rail = 1pc
P5		Side Rail = L-1pc = R-1pc
P6		Post = 8pcs
P7		Center Rail = 2pcs
P8		Bed Slats = 14pcs
P9		Support Leg = 4pcs

## HARDWARE LIST

A		M6 X 100MM JCBC = 12pcs
B		M6 X 70MM JCBC = 2pcs
C		M6 X 50MM JCBC = 4pcs
D		M6 X 40MM JCBC = 18pcs
E		WOOD DOWEL M8 X 30MM = 8pcs
F		ALLEN KEY M4 = 1pc
G		M4 X 25MM SCREW = 8pcs
H		M3.5 X 16MM SCREW = 8pcs
I		ADJUSTER = 4pcs
J		PLATE = 2pcs

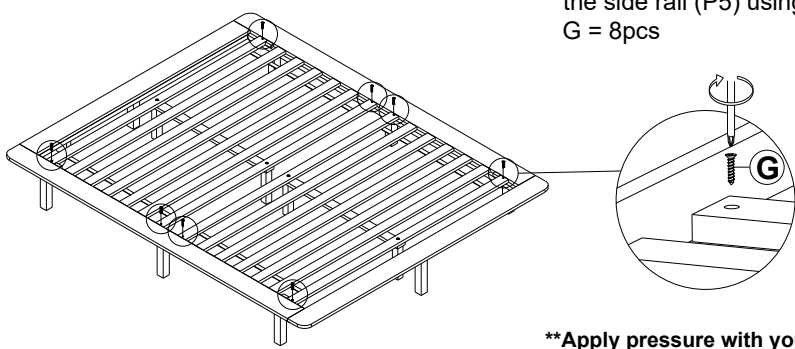
4.



Fix the adjuster (I) to the support leg (P9) using hardware:  
I = 4pcs

Attach the support leg (P9) to the center rail (P7) and bed slats (P8) using hardware:  
C = 4pcs  
F = 1pc

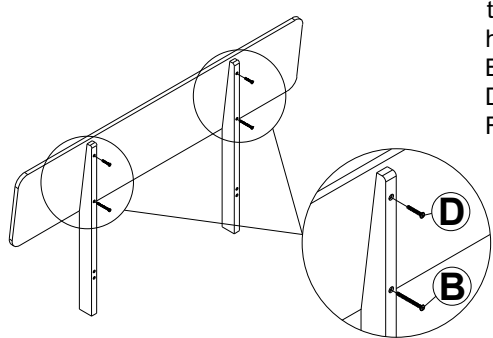
5.



Lay the bed slats (P8) between the side rail (P5) using hardware:  
G = 8pcs

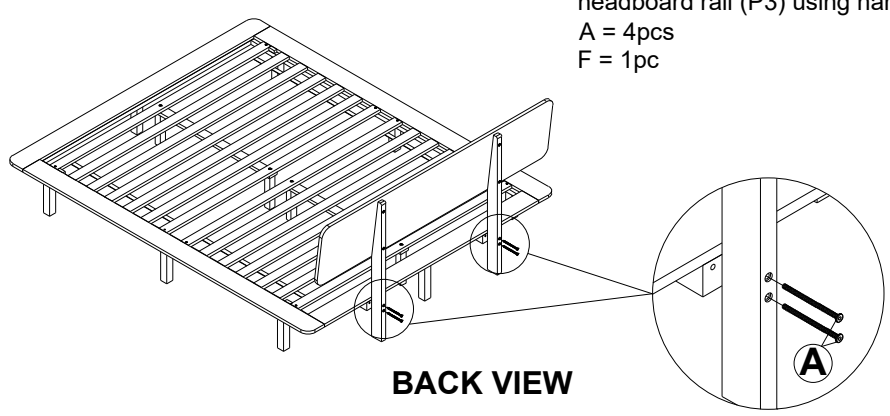
**\*\*Apply pressure with your knee to the side rail whilst attaching the slats to ensure that the slats are flush against the inside of side rail\*\***

6.



Attach the headboard panel (P2) to the headboard post (P1) using hardware:  
B = 2pcs  
D = 2pcs  
F = 1pc

7.



Attach the headboard post (P1) to the headboard rail (P3) using hardware:  
A = 4pcs  
F = 1pc

**BACK VIEW**

**WARNING!!**

- Remove hardware from box and sort by size.
- Please check to see that hardware and parts are present prior start of assembly.
- Please follow attached instruction in the same sequence numbered to ensure fast and easy assembly.
- Do not use this bed if any part is broken, torn or missing.
- The assembly of this product requires two people.
- Do not use any power tools as this may damage the frame and will invalidate any claim.

**PART LIST**

P1		Headboard Post	=	2pcs
P2		Headboard Panel	=	1pc
P3		Headboard Rail	=	1pc
P4		Footboard Rail	=	1pc
P5		Side Rail	=	L-1pc R-1pc
P6		Post	=	8pcs
P7		Center Rail	=	2pcs
P8		Bed Slats	=	14pcs
P9		Support Leg	=	4pcs

**HARDWARE LIST**

A		M6 X 100MM JCBC	=	12pcs
B		M6 X 70MM JCBC	=	2pcs
C		M6 X 50MM JCBC	=	4pcs
D		M6 X 40MM JCBC	=	18pcs
E		WOOD DOWEL M8 X 30MM	=	8pcs
F		ALLEN KEY M4	=	1pc
G		M4 X 25MM SCREW	=	8pcs
H		M3.5 X 16MM SCREW	=	8pcs
I		ADJUSTER	=	4pcs
J		PLATE	=	2pcs