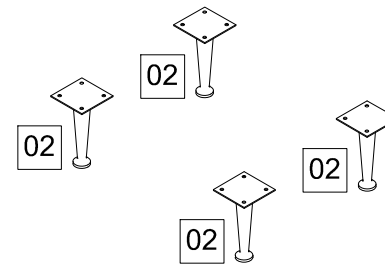
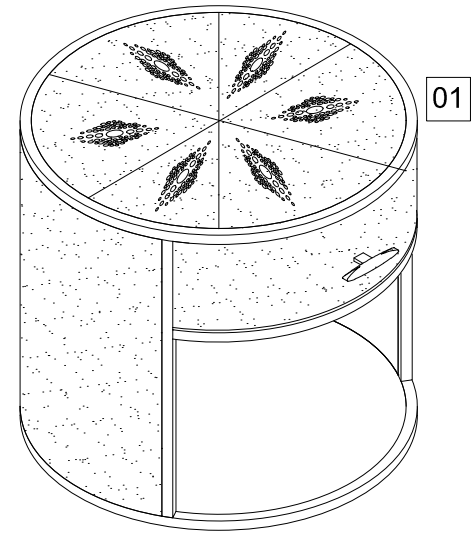
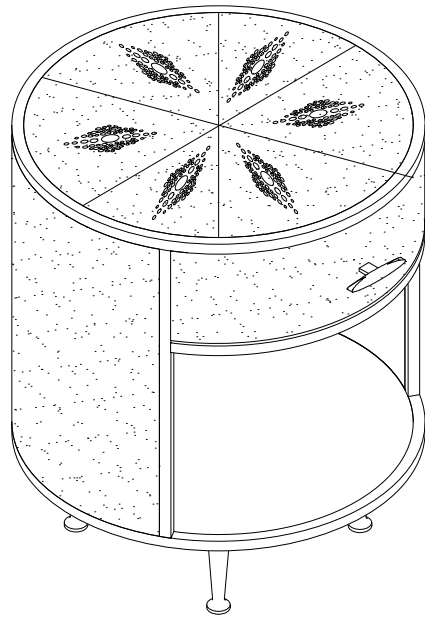
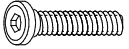


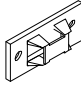
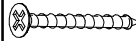
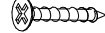
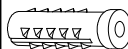




# ASSEMBLY INSTRUCTION

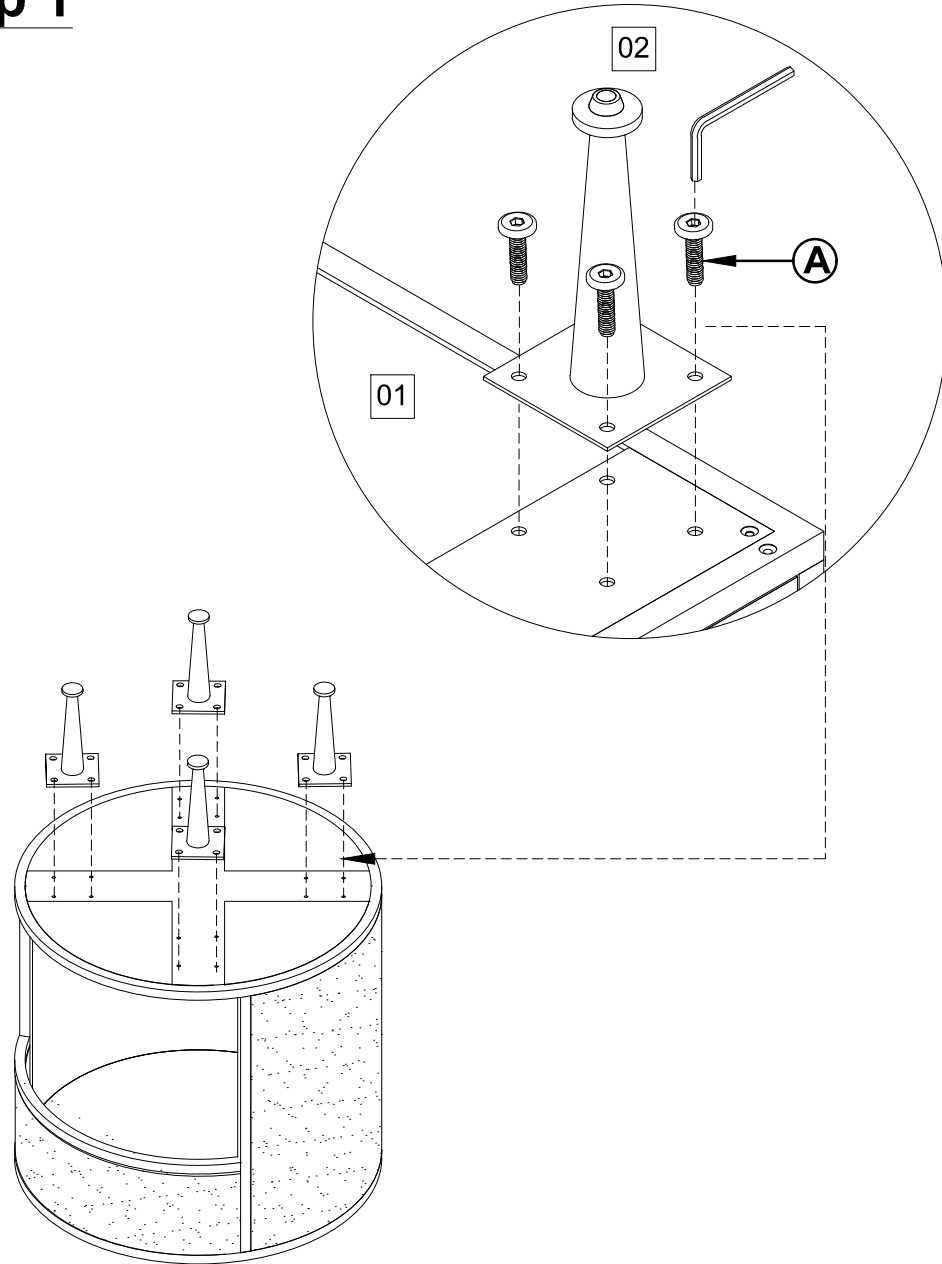
# PARTS:

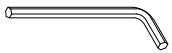
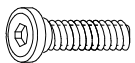


# HARDWARE:

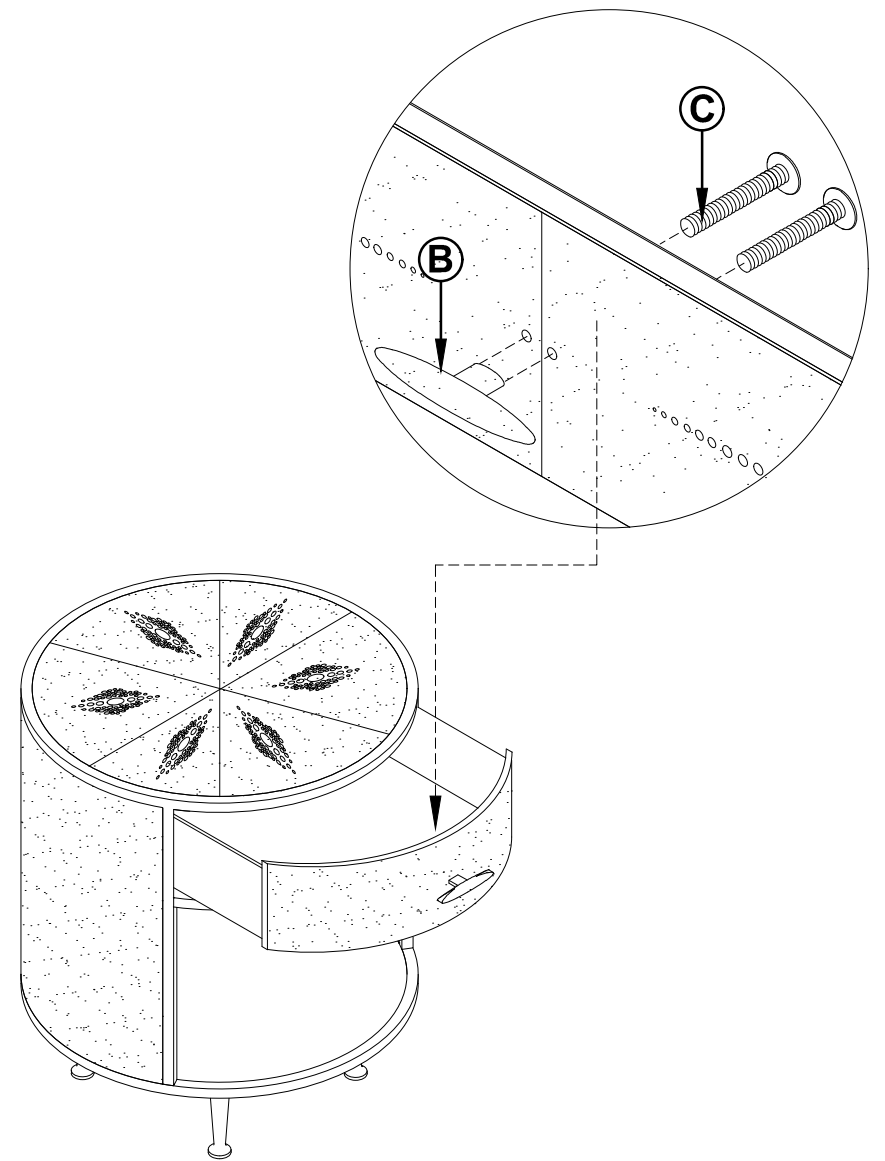
A	B	C	D	E	F	G	H	Allen key
 M6x10(mm)		 M4x25(mm)		 4x40(mm)	 4x15(mm)			
16 pcs	01 pcs	2 pcs	02 pcs	02 pcs	02 pcs	02 pcs	01 pcs	01 pc


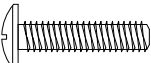
# Step 1



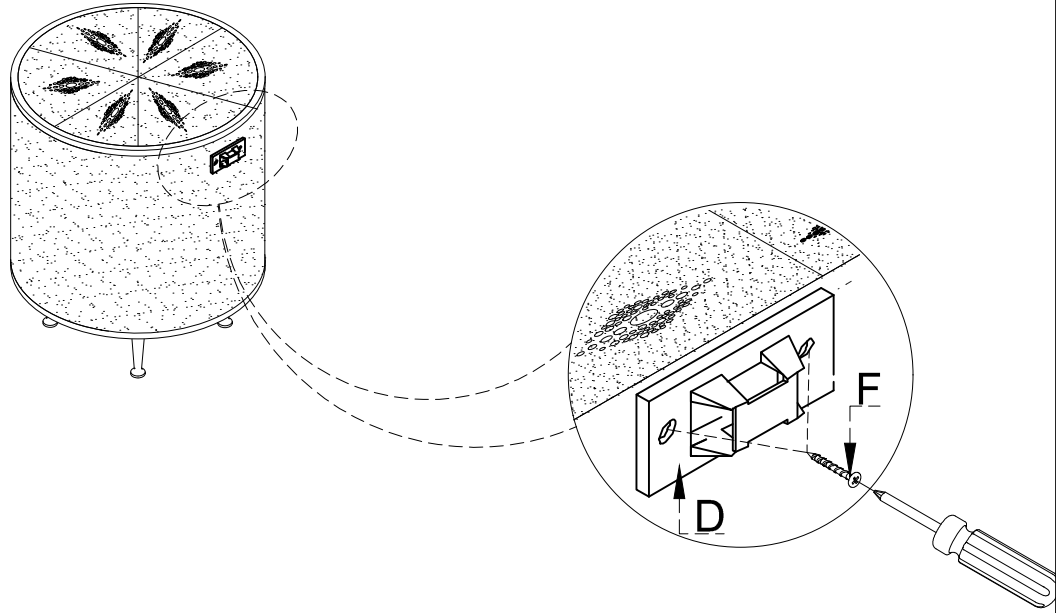
		<b>01</b>
<b>A</b>		<b>16</b>

# Step 2

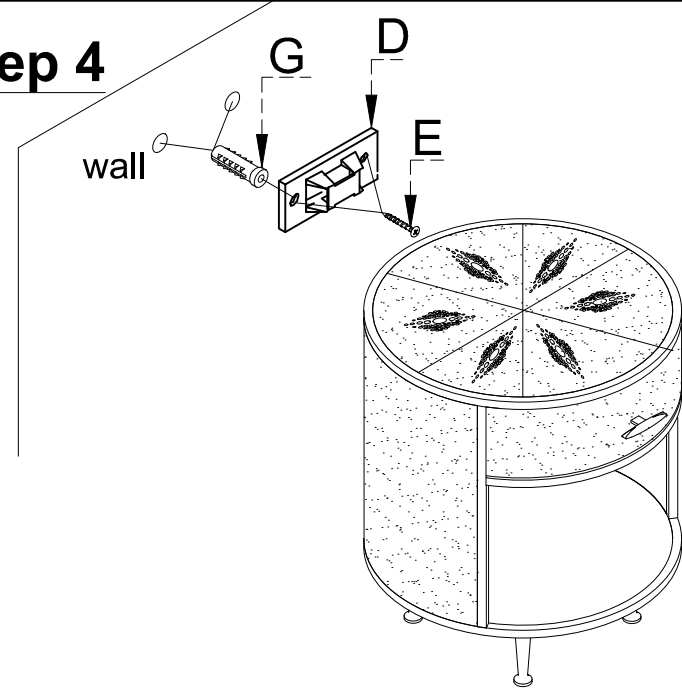


<b>B</b>		<b>01</b>
<b>C</b>		<b>02</b>

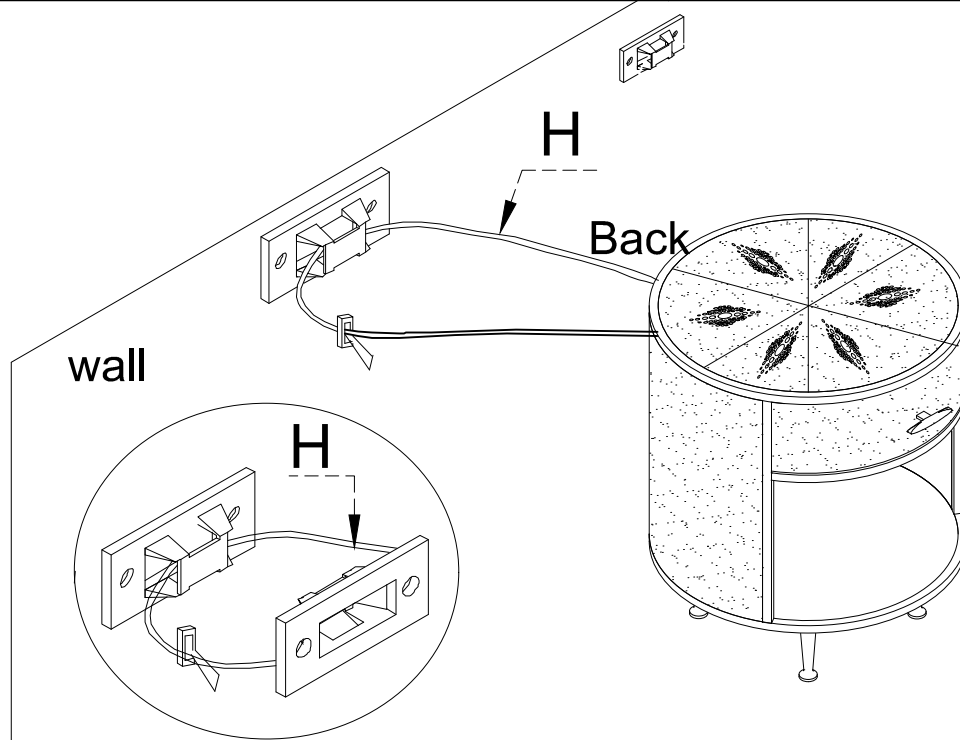
### Step 3



### Step 4



### Step 5



## Adjusting Floor Levelers

Your furniture has been expertly crafted and pre-adjusted by professionals. However, slight shifts can occur during transportation. If you notice that the furniture wobbles, a quick adjustment can help ensure stability and a seamless look.

### Adjust the Floor Levelers

**Check for Stability** - Place the furniture in its final position on a level surface. If it wobbles or doesn't sit evenly, the floor levelers need adjusting.

**Locate the Levelers** - These are small adjustable feet found at the bottom corners of your furniture.

**Adjust as Needed** - Using your hand or a wrench, turn the levelers clockwise to raise or counterclockwise to lower the furniture. Make small adjustments and check stability after each turn.

