

Per Seat Weight Limitation

100 LBS

ITEM NO. MSHD1615

Thank You For Choosing Our Furniture

▀ If you have any questions or concerns,
don't hesitate to reach out to us. ▴

NOTE:






This brochure contains
IMPORTANT safety info.
Please read and keep it
for future reference.

MAINTAINANCE AND WARNINGS



Before You Start

Please follow the steps below:

-  Check the packaging for any damage, deformation, or water stains. If there is significant damage, please contact us promptly.
-  Open the packaging and confirm that the panels, hardware, screws, etc are complete.
-  Please read the installation instructions carefully to understand the installation steps and precautions to ensure proper installation.
-  Clean the installation area in advance and ensure the ground is level and there is enough space to avoid damaging the furniture or making installation difficult.
-  Lay a protective mat on the ground to prevent scratching the floor during installation.

After-Sales Service

- If you encounter any issues or need technical support during use, please contact our after-sales team. We offer long-term maintenance and warranty services.



Precautions

- ⚠ This product for indoor use only. Do not expose it to outdoor elements or high-humidity environments.
- ⚠ Keep the product away from high heat or open flames to prevent fire hazards.
- ⚠ Do not allow children to climb on the product to prevent personal injury caused by tipping



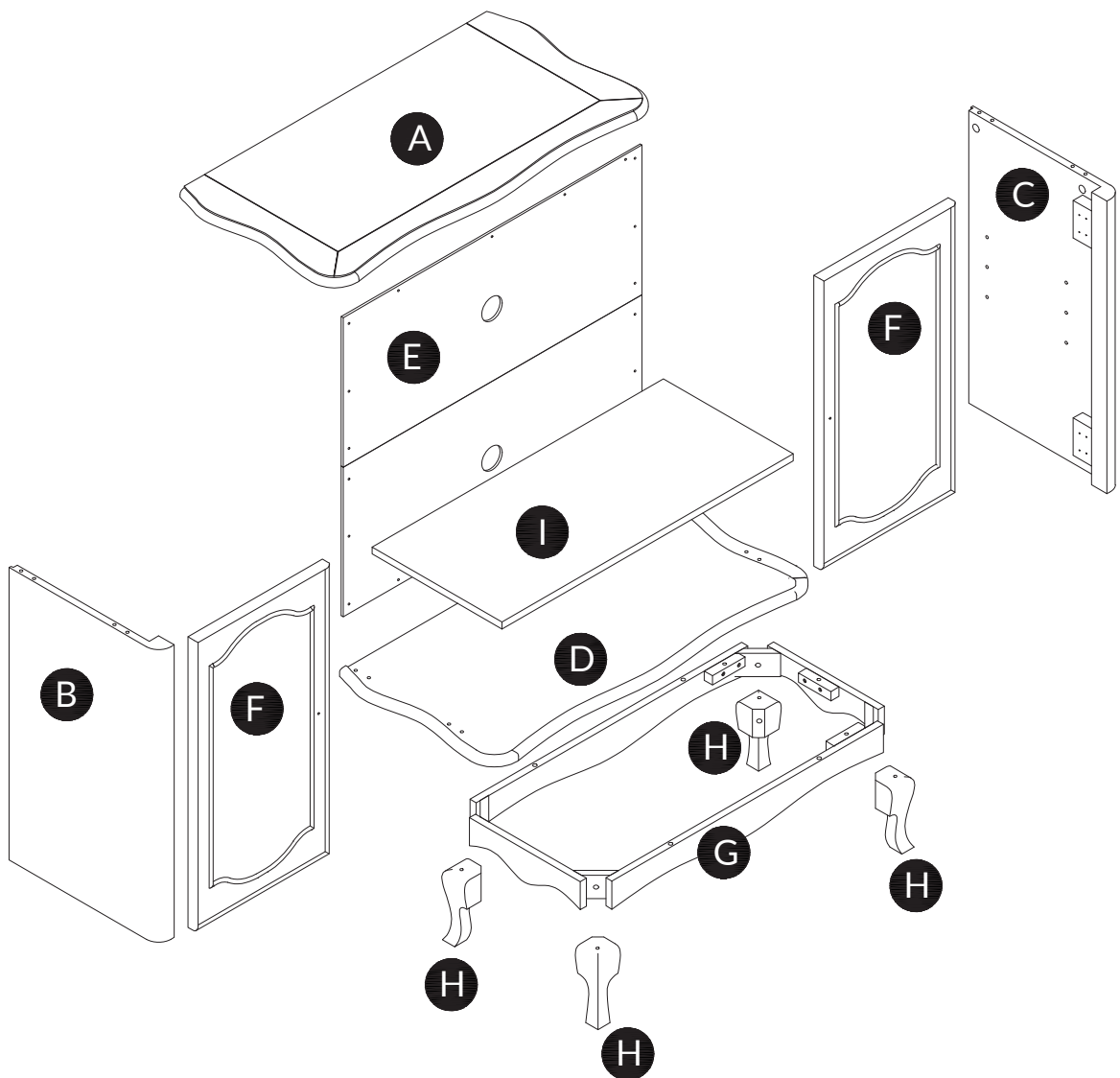
Safety Warnings

- ⚠ If you notice any loose or damaged parts, stop using the product immediately and contact customer service.
- ⚠ Do not attempt to disassemble or replace any components yourself, as this may affect the stability and safety of the product.

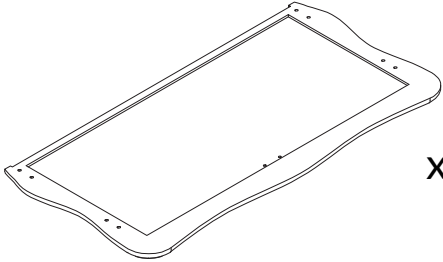
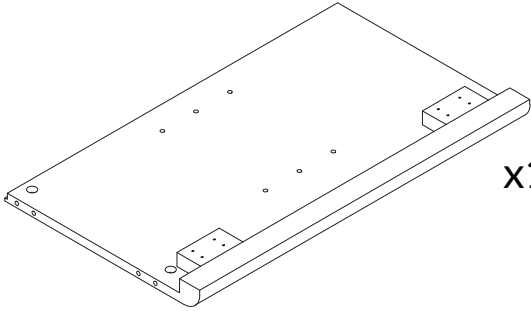
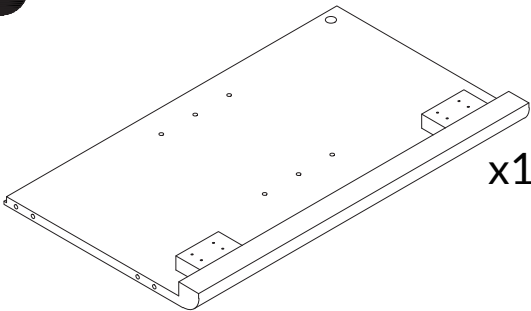
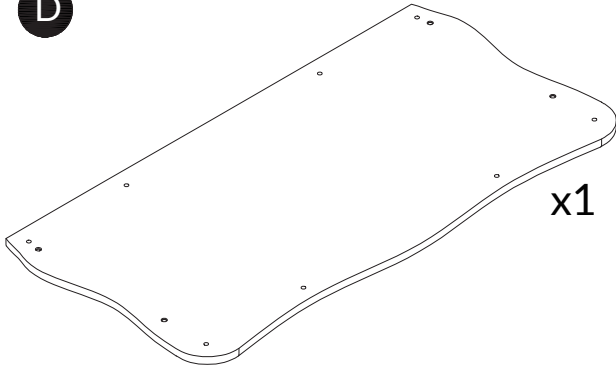
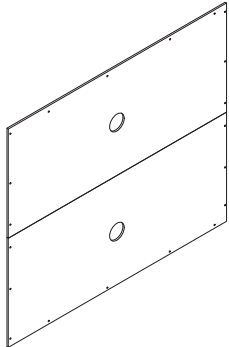
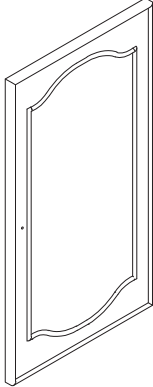
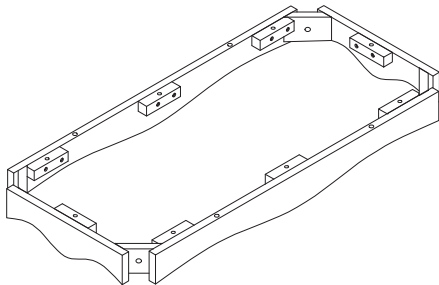

Daily Maintenance

- Do not use cleaning agents containing acids, alkalis, or corrosive substances, as they may damage the surface. It is recommended to use neutral cleaning agents or specialized furniture cleaners
- Avoid exposing furniture to humid environments for extended periods to prevent swelling or deformation of the boards. Use a dehumidifier or desiccant during humid weather.
- Avoid direct contact of furniture with water. If water is accidentally spilled, wipe it dry immediately.
- Avoid placing excessively heavy objects on the furniture: ensure the weight is within a reasonable load-bearing range.
- Avoid using sharp or rough items on the furniture surface to prevent scratches. Handle items gently when moving them

Explosive view



Parts list

<p>A</p>  <p>x1</p>	<p>B</p>  <p>x1</p>
<p>C</p>  <p>x1</p>	<p>D</p>  <p>x1</p>
<p>E</p>  <p>x1</p>	<p>F</p>  <p>x2</p>
<p>G</p>  <p>x4</p>	<p>H</p>  <p>x4</p>



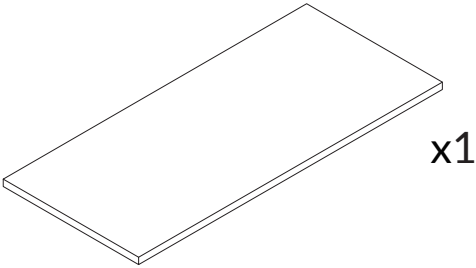
Installation:
15minutes.



One Person

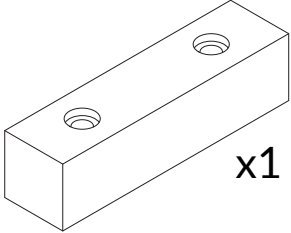
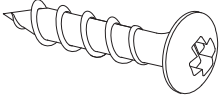

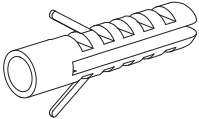
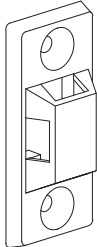
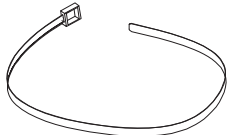
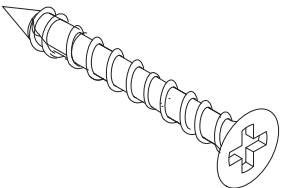
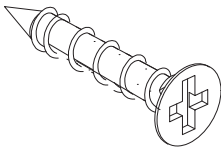
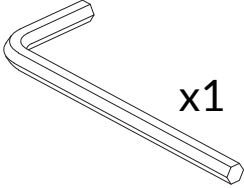
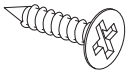
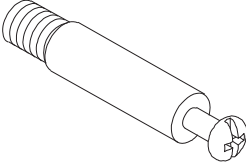

Parts list

1



x1

Hardware List

<p>1</p>  <p>x1</p>	<p>2</p>  <p>x20+2</p> <p>D3.5x12mm</p>	<p>3</p>  <p>x4</p>
<p>4</p>  <p>x4</p>	<p>5</p>  <p>x4</p>	<p>6</p>  <p>x2</p>
<p>7</p>  <p>x4</p> <p>D4x40mm</p>	<p>8</p>  <p>x2</p> <p>D3.5x30mm</p>	<p>9</p>  <p>x1</p> <p>M4</p>
<p>10</p>  <p>x24+3</p> <p>D3.5x12mm</p>	<p>11</p>  <p>x4+1</p> <p>M6x35</p>	<p>12</p>  <p>x4+1</p>

Hardware List

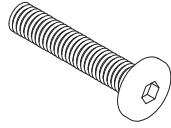
13



x16+2

Ø6x30mm

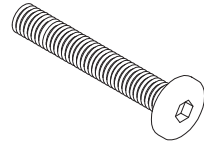
14



x8+1

M6x30mm

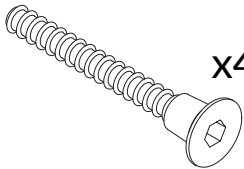
15



x4+1

M6x40mm

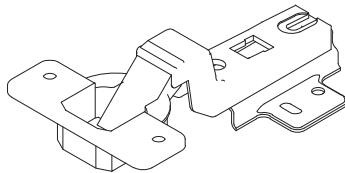
16



x4+1

D6.3x40mm

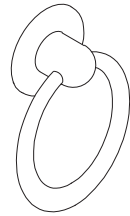
17



x4

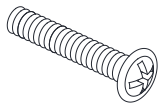
Ø35 mm

18



x2

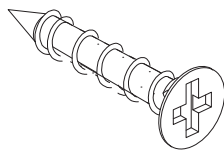
19



x2+1

D4x18mm

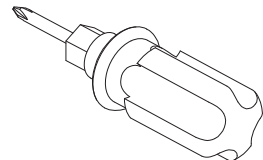
20



x4

D3.5x 20mm

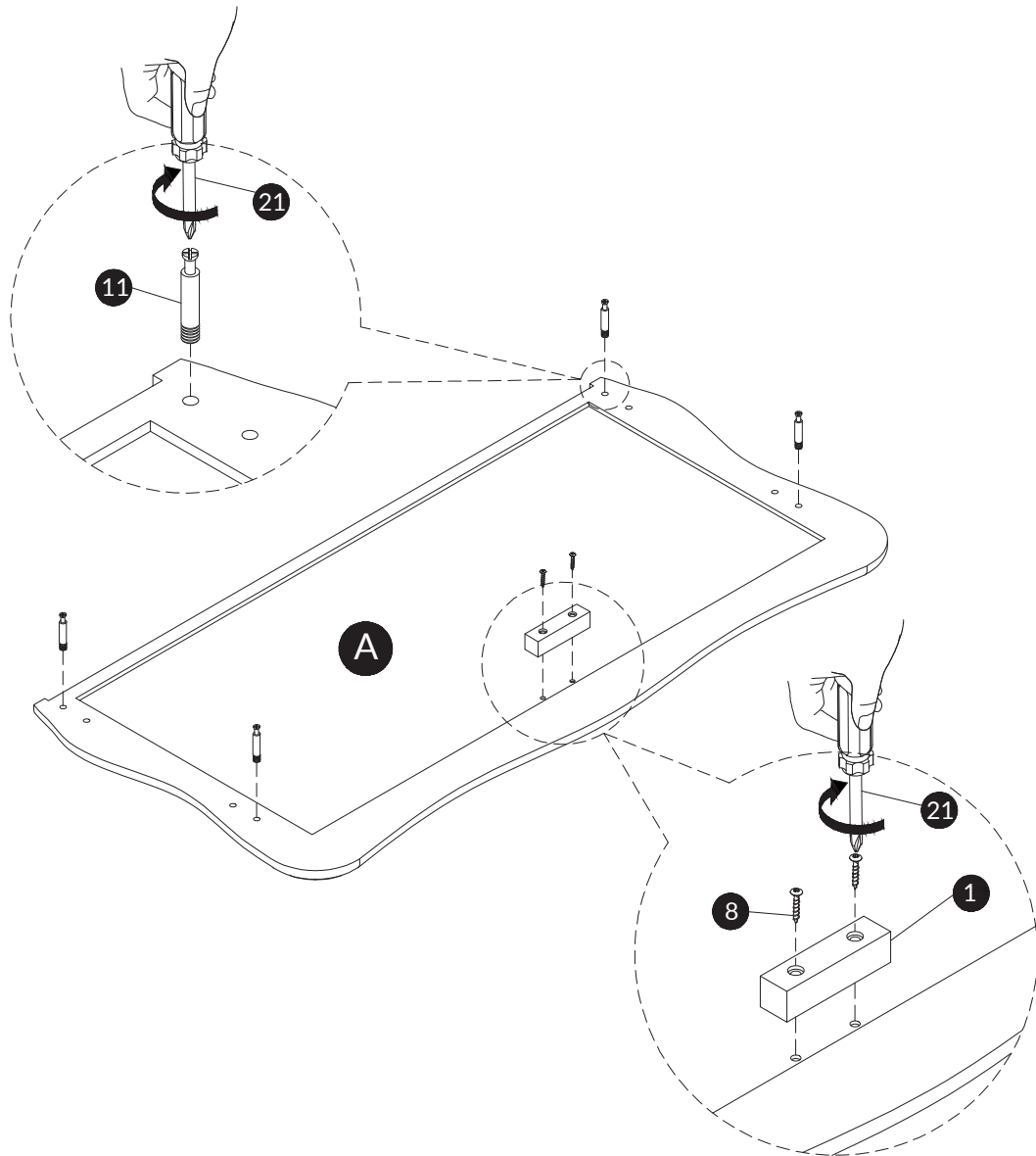
21

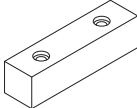
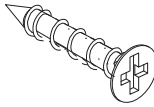
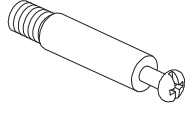
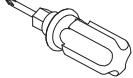


x1

Step 1

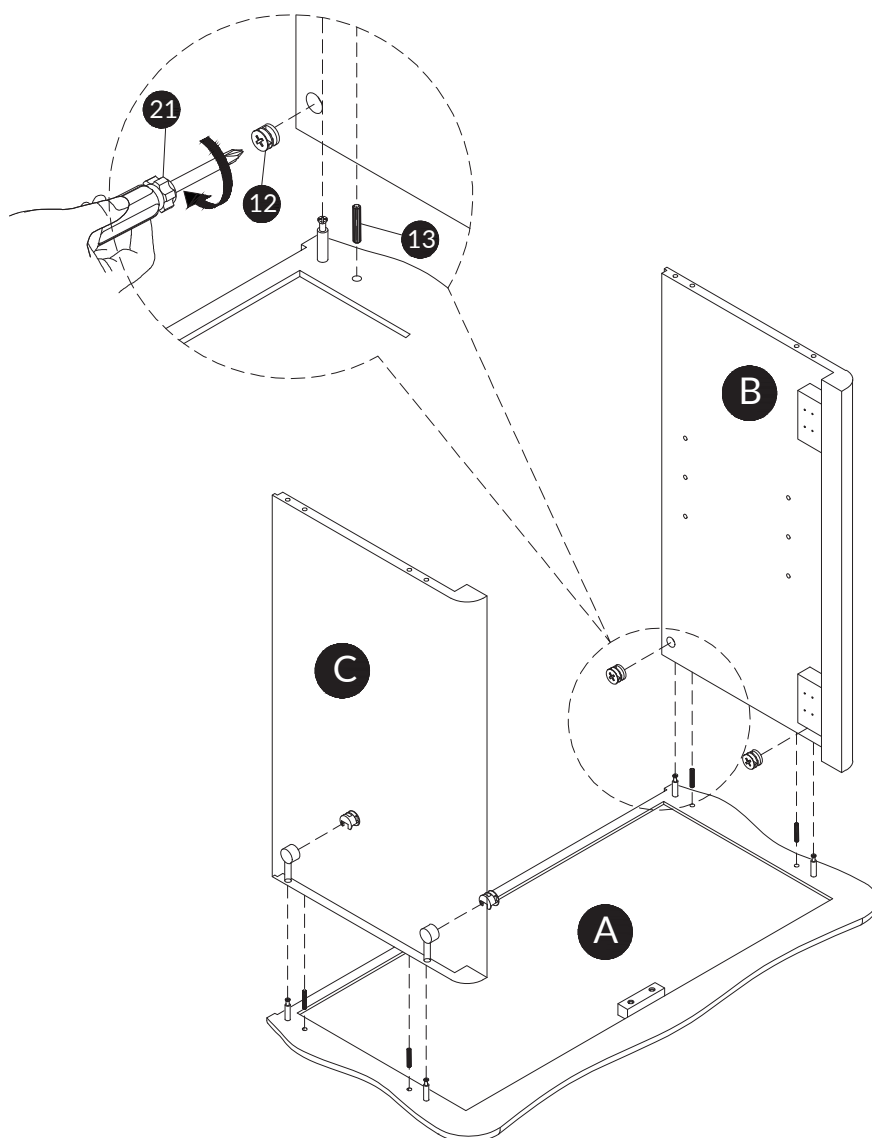
As shown in the figure: Insert screw 8 through wooden block 1 into the corresponding hole in the top plate A, and tighten it with screwdriver 21. Install the three-in-one 11 into the corresponding hole in A, and tighten it with screwdriver 21.



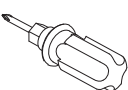


1	x1	8	x2	11	x4	21	x1
							
		D3.5x30mm		M6 x35mm			

Step 2

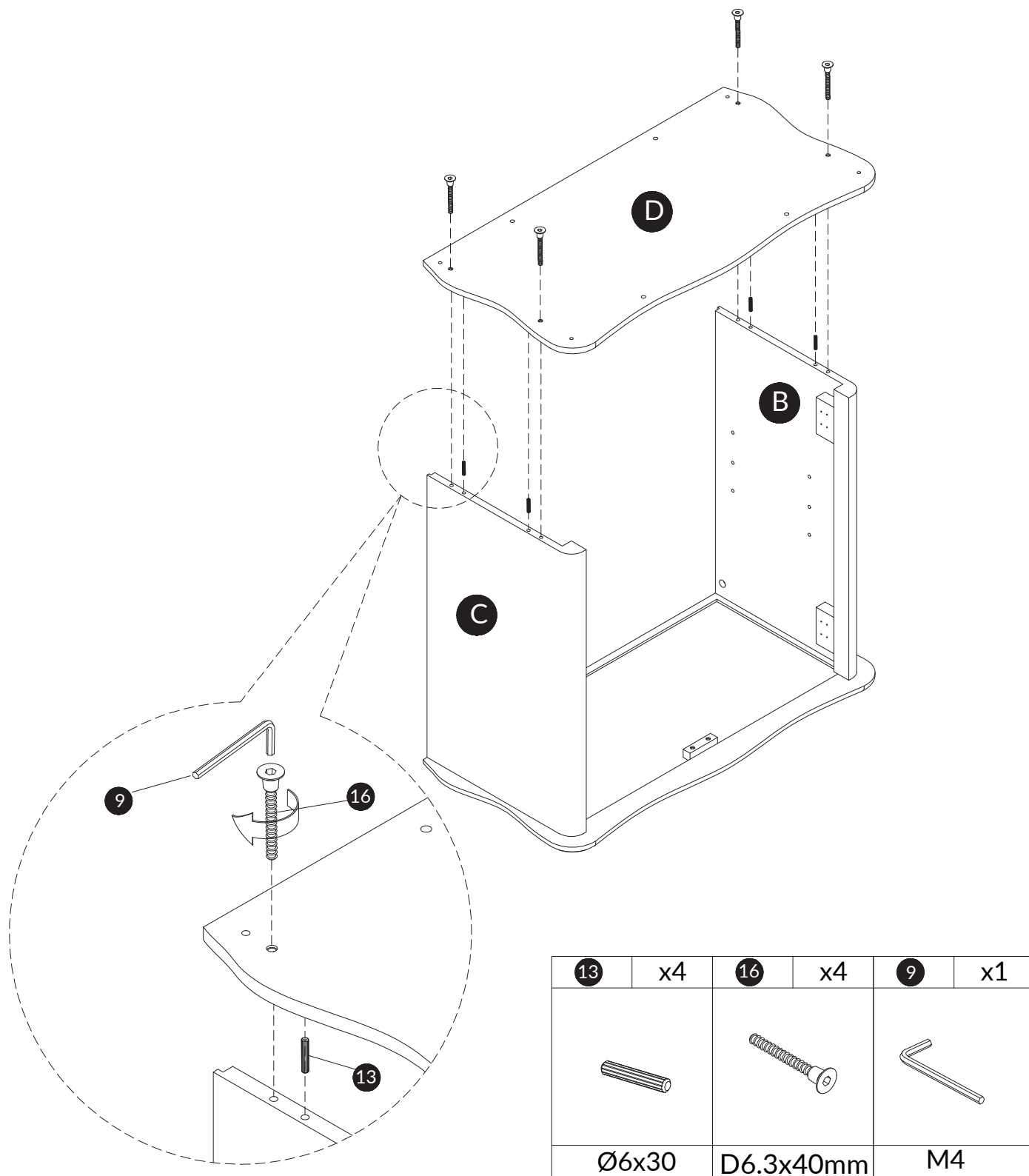
As shown in the figure: Insert the wooden tip 13 into the corresponding hole. Insert the eccentric wheel 12 into the corresponding hole (B/C) and tighten with screwdriver 21.



12	x4	13	x4	21	x1
					
		Ø6x30			

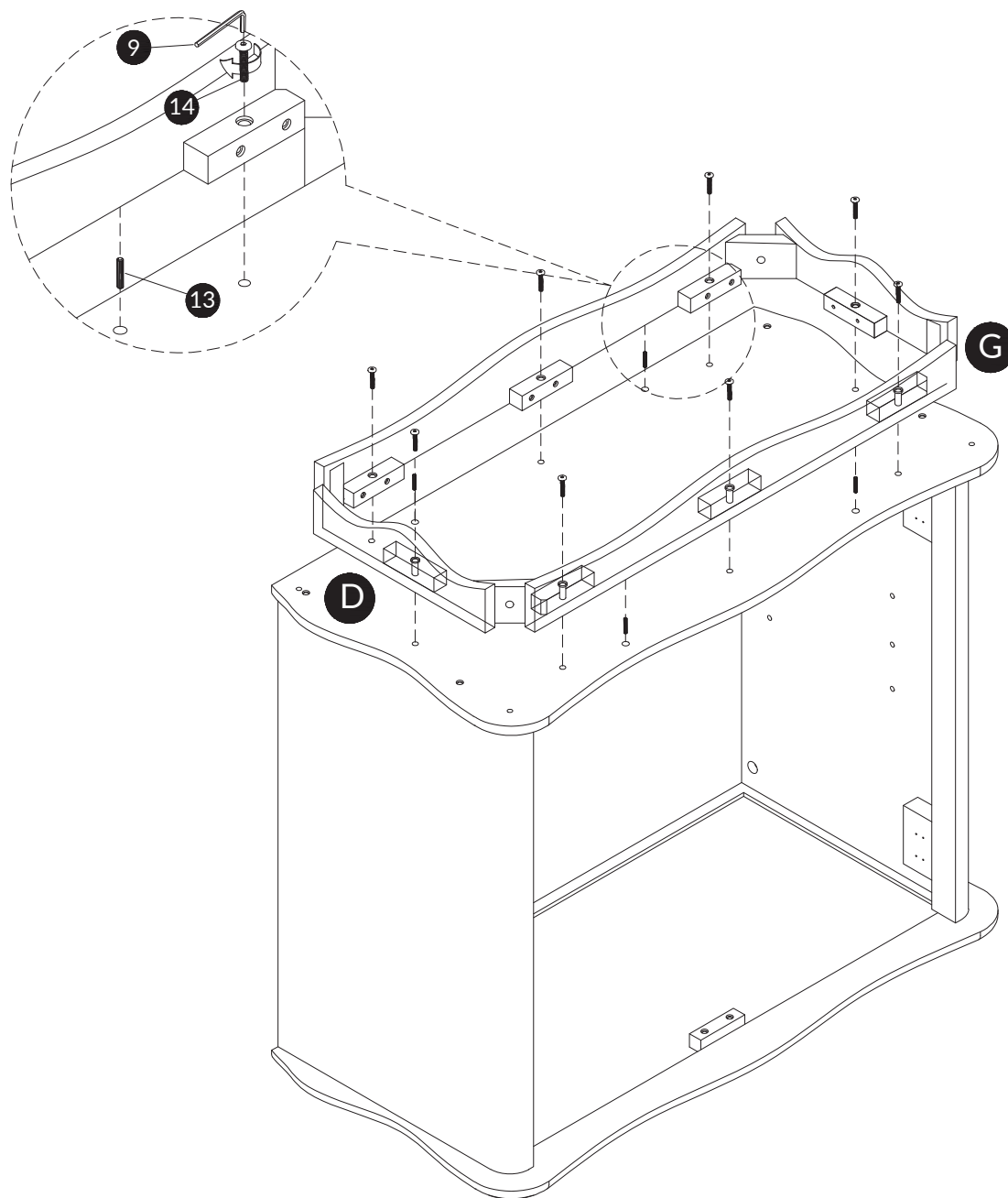
Step 3


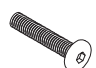
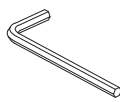
As shown in the figure: Insert the wooden tip 13 into the corresponding hole position (B/C). Pass the screw 16 through D and insert it into the corresponding hole position (B/C), then tighten it with wrench 9.



Step 4

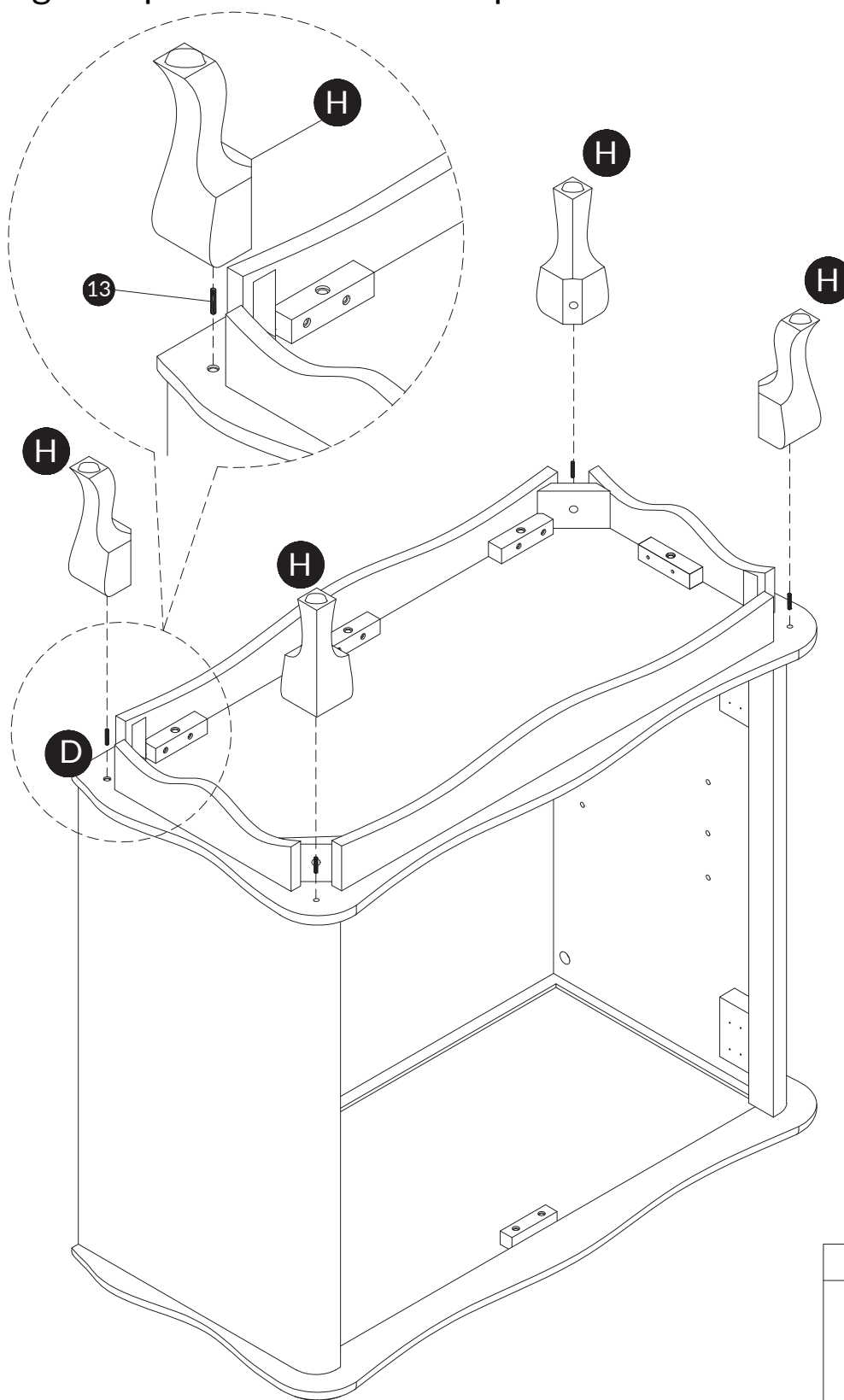
As shown in the figure: Insert the wood tip 13 into the corresponding hole in component G. Install component G into the corresponding hole in the base plate D, pass hex screw 14 through component G into the corresponding hole in base plate D, and tighten with screwdriver 9.



13	x4	14	x8	9	x1
					
Ø6x30mm		M6x30mm		M4	

Step 5

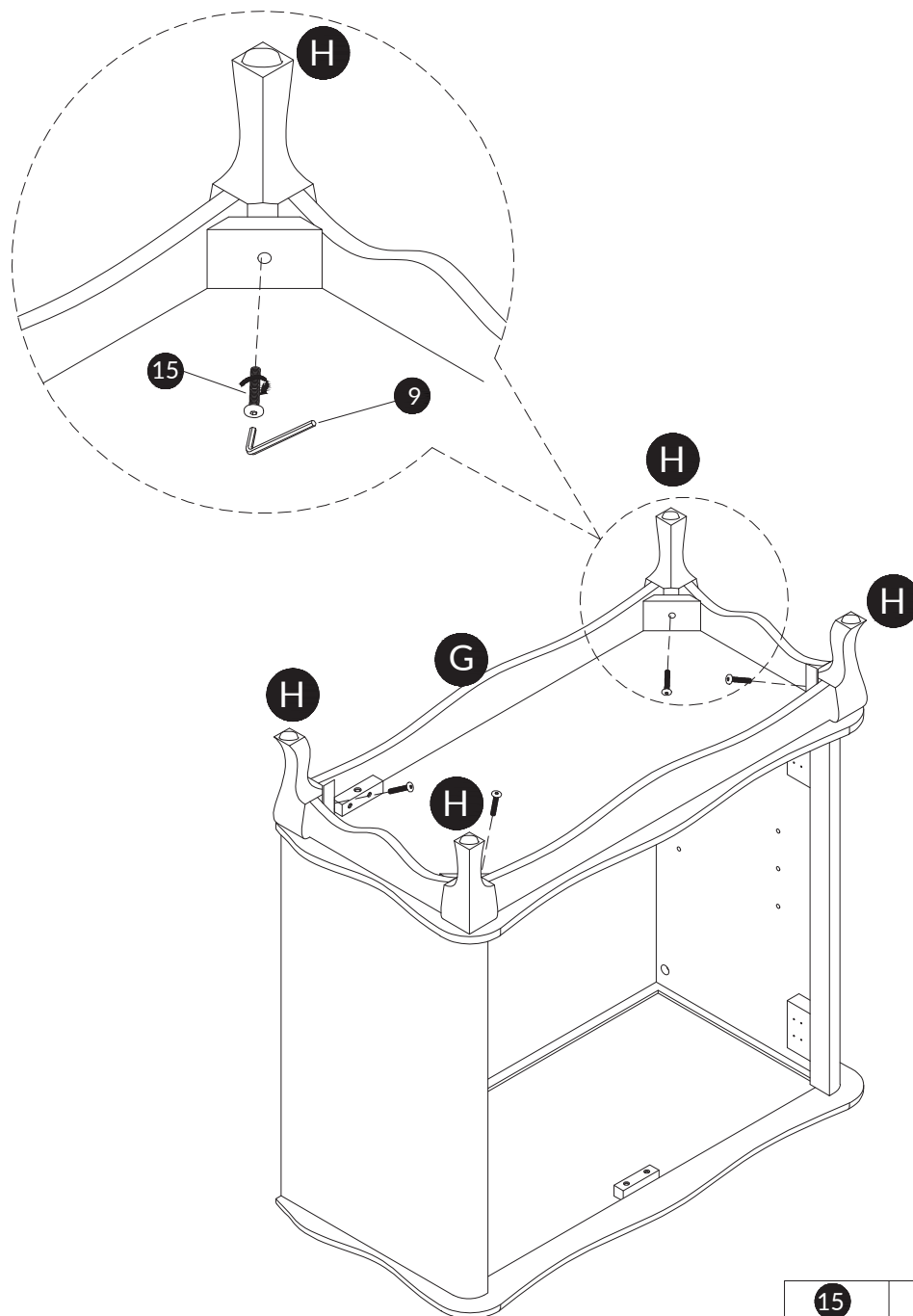
As shown in the figure: Insert the wooden tip 13 into the corresponding hole position H, and then insert it into the corresponding hole position on the base plate D.

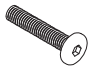
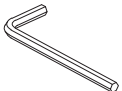


13	x4
Ø6x30mm	

Step 6

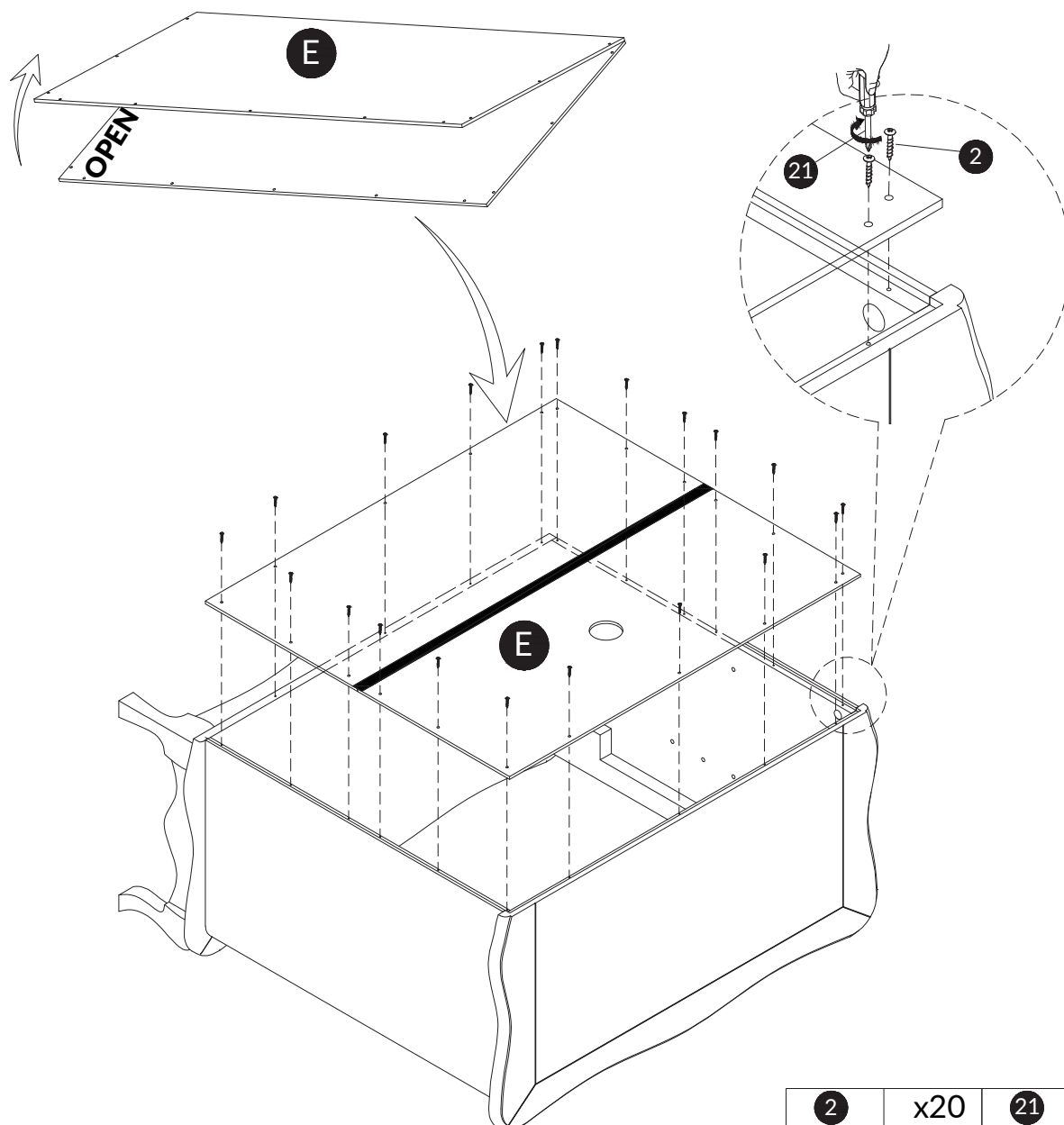
As shown in the figure: Insert screw 15 through part G into the corresponding hole in foot H, and tighten it with wrench 9.

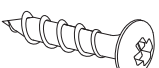
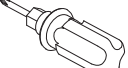


15	x4	9	x1
			
M6x40mm		M4	

Step 7

As shown in the figure: insert the back E board into the cabinet groove. Pass screw 2 through the back board and install it into the cabinet, tightening with screwdriver 21.



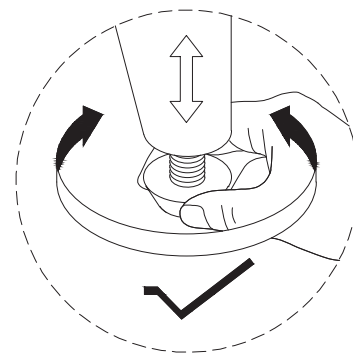
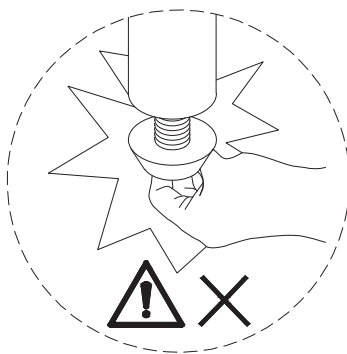
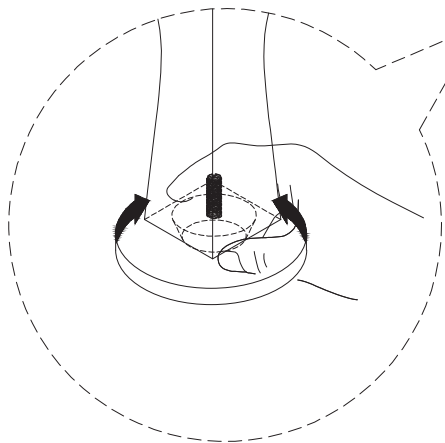
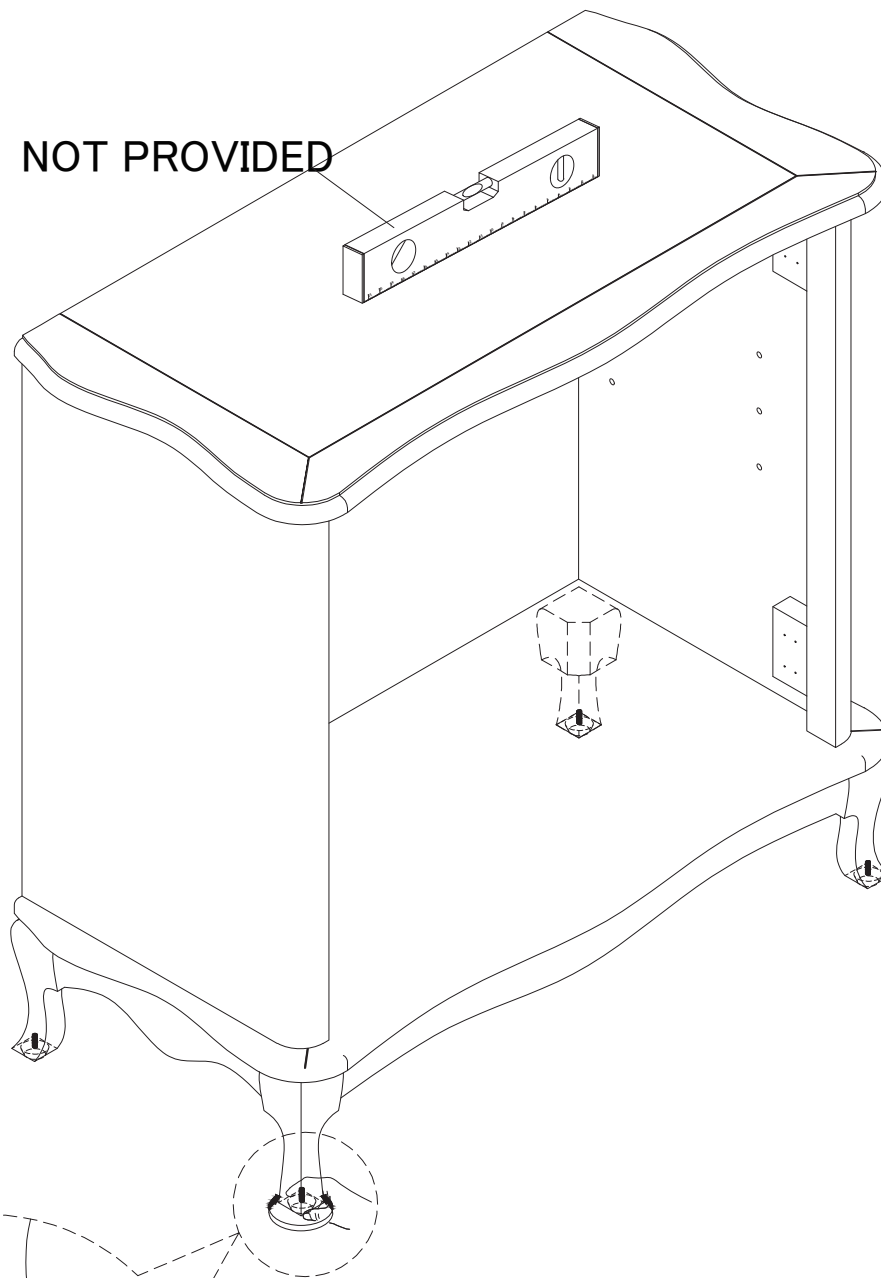
2	x20	21	x1
			
D3.5x12mm			

Step 8



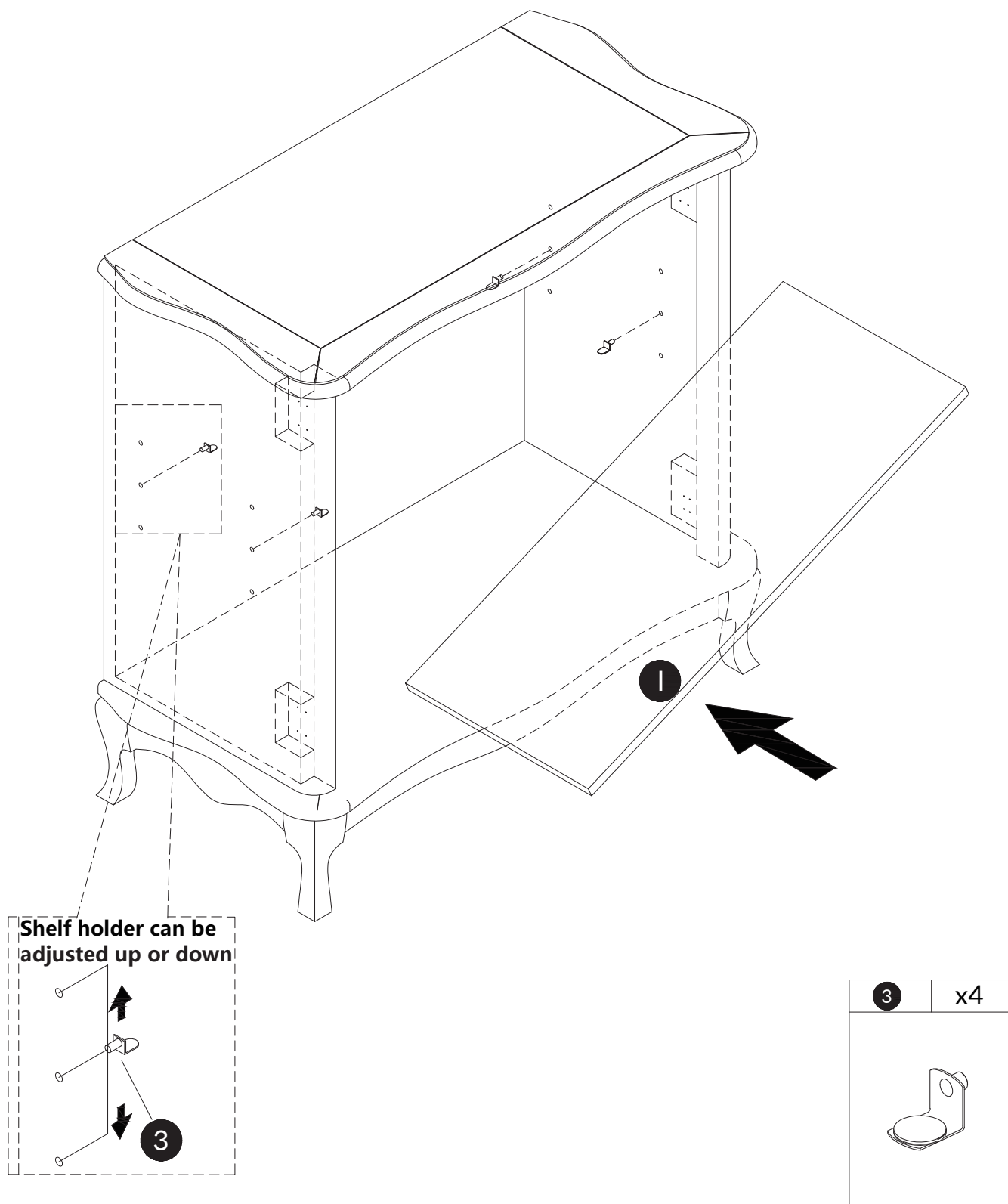
Attention:
Before the next step, adjust the feet of the locker to keep it level.

NOT PROVIDED



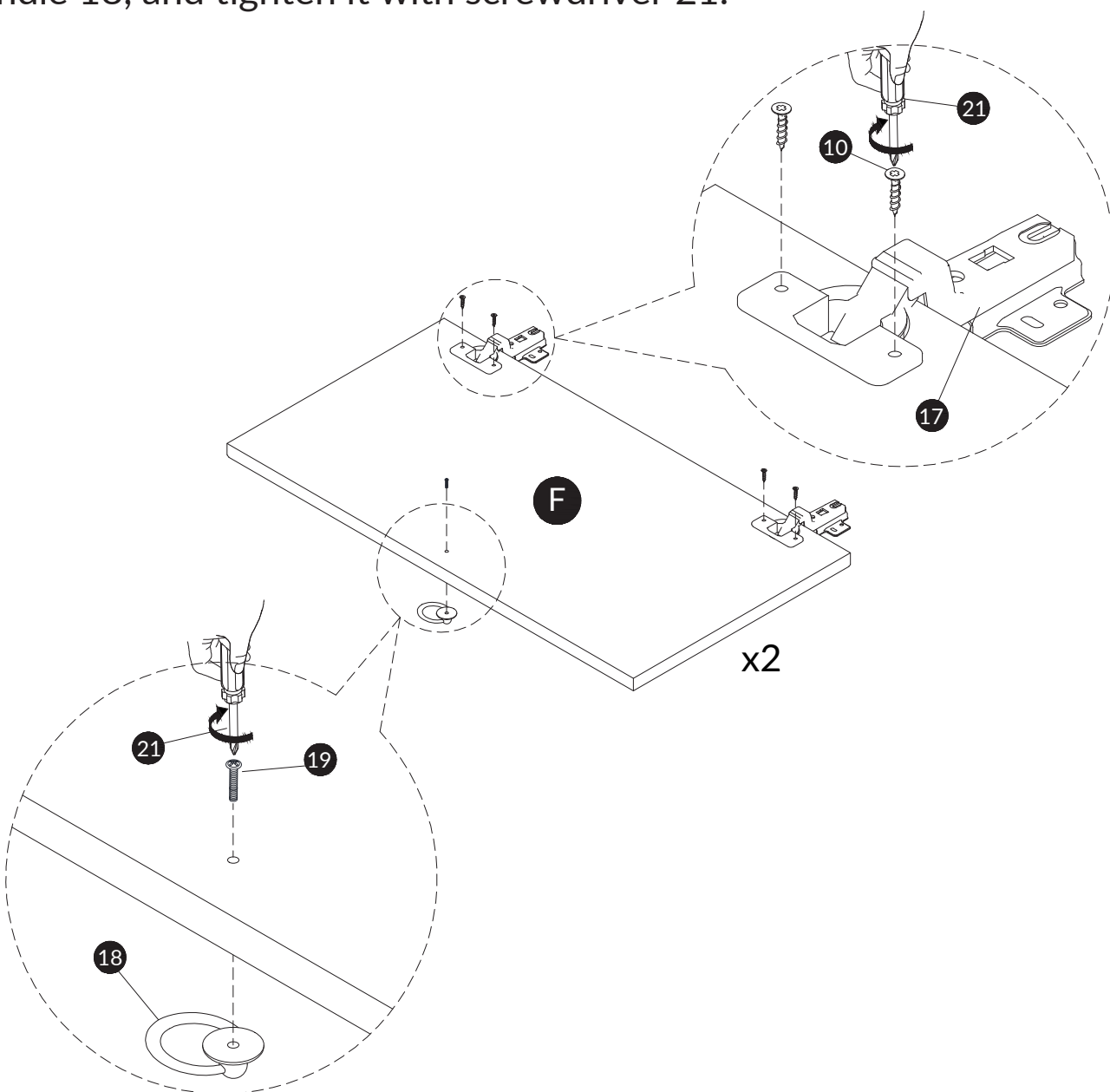
Step 9


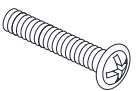
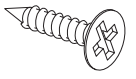
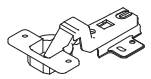
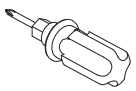
As shown in the picture: nail the shelf 3 into the corresponding holes of the side panels (B/C) and place the shelf I flat inside the cabinet.



Step 10

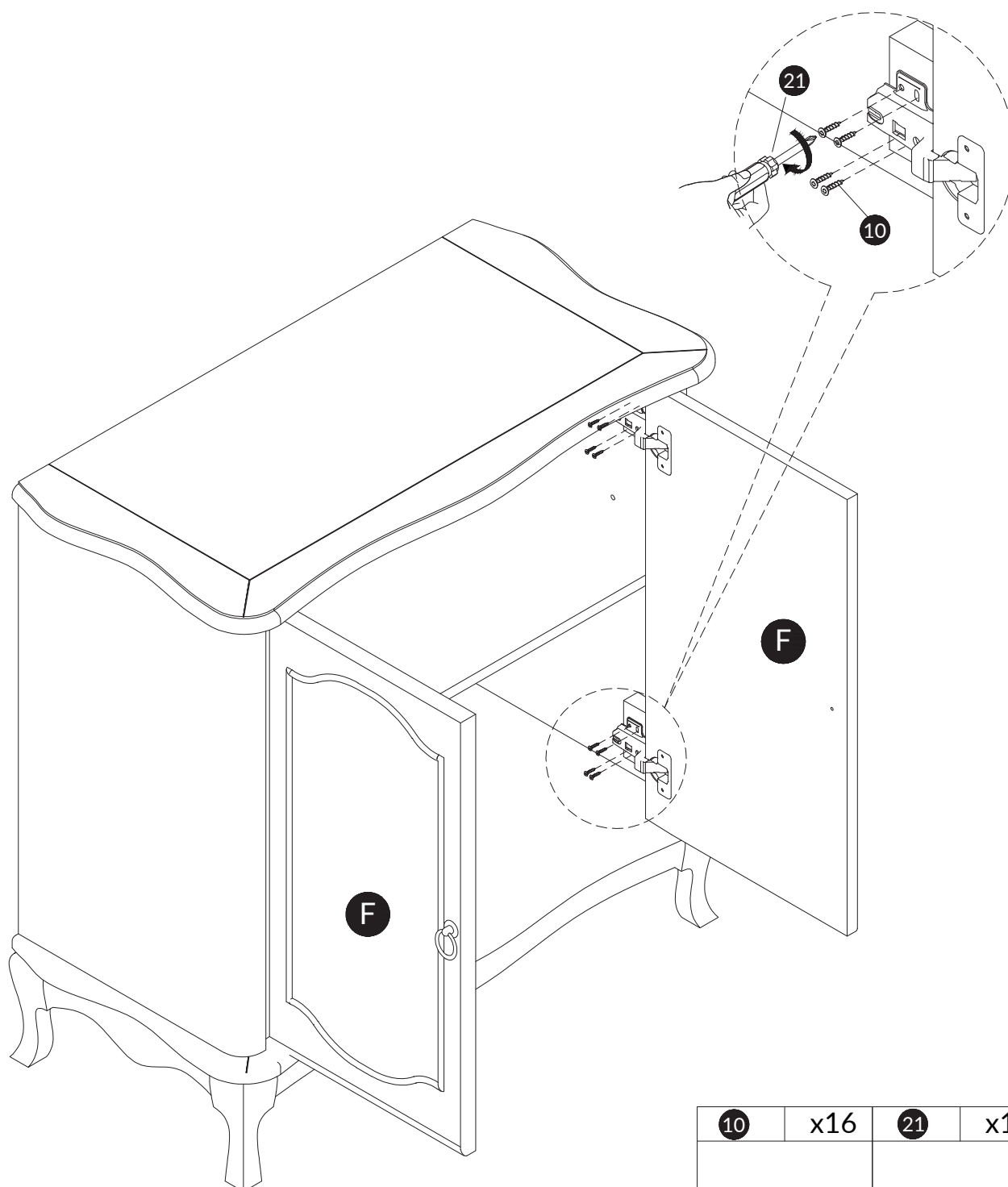
As shown in the figure: Insert hinge 17 into the corresponding hole in door panel F. Pass screw 10 through the hinge and into the corresponding hole in door panel F, and tighten it with screwdriver 21. Pass screw 19 through door panel F into the corresponding hole for handle 18, and tighten it with screwdriver 21.

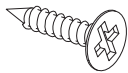
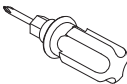


18	x2	19	x2	10	x8	17	x4	21	x1
									
		D4x18mm		D3.5x12mm		Ø35 nn			

Step 11

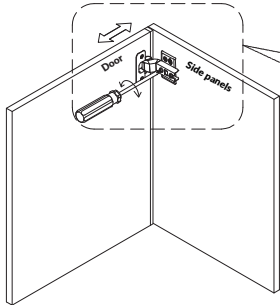
As shown in the picture: Insert screw 10 through the hinge into the corresponding hole on the side panel (B/C), and tighten it with screwdriver 21.



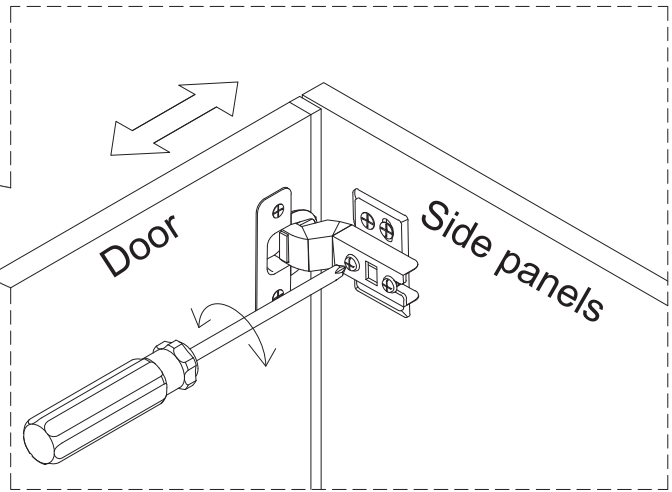
10	x16	21	x1
			
D3.5x12mm			

Door Hinge Adjustment Instructions

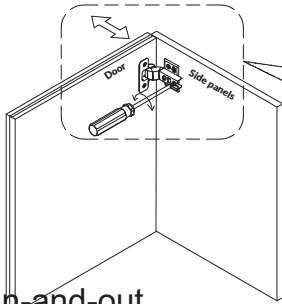
Concealed hinges are three-way adjustable:



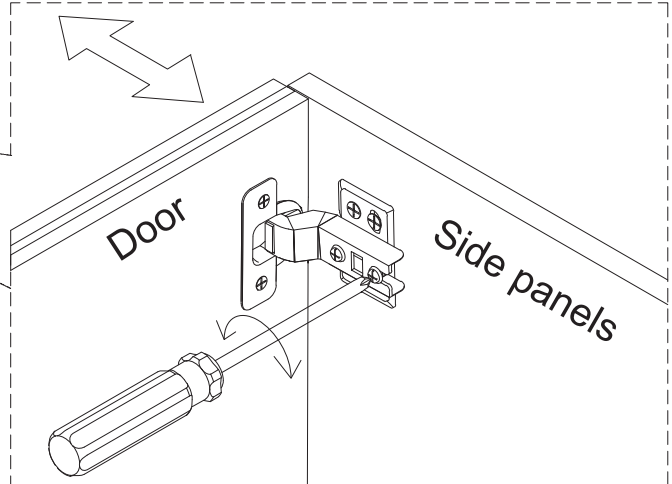
Horizontal
by screw adjustment!



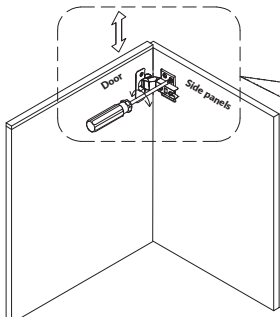
Concealed hinges are three-way adjustable:



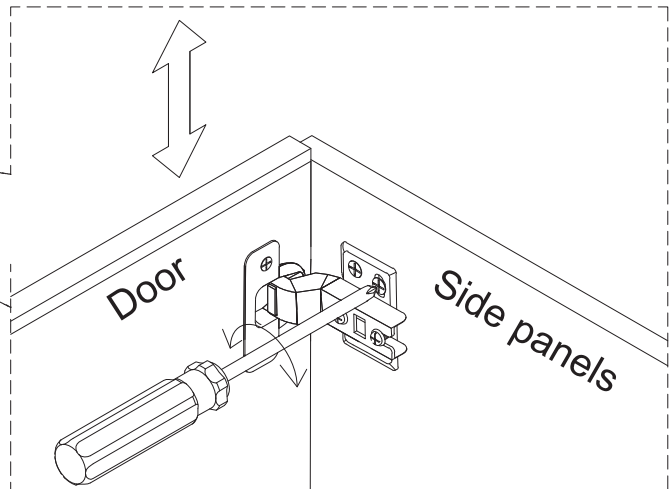
In-and-out
by loosening the hinge arm
mounting screw or via cam
adjustment!



Concealed hinges are three-way adjustable:

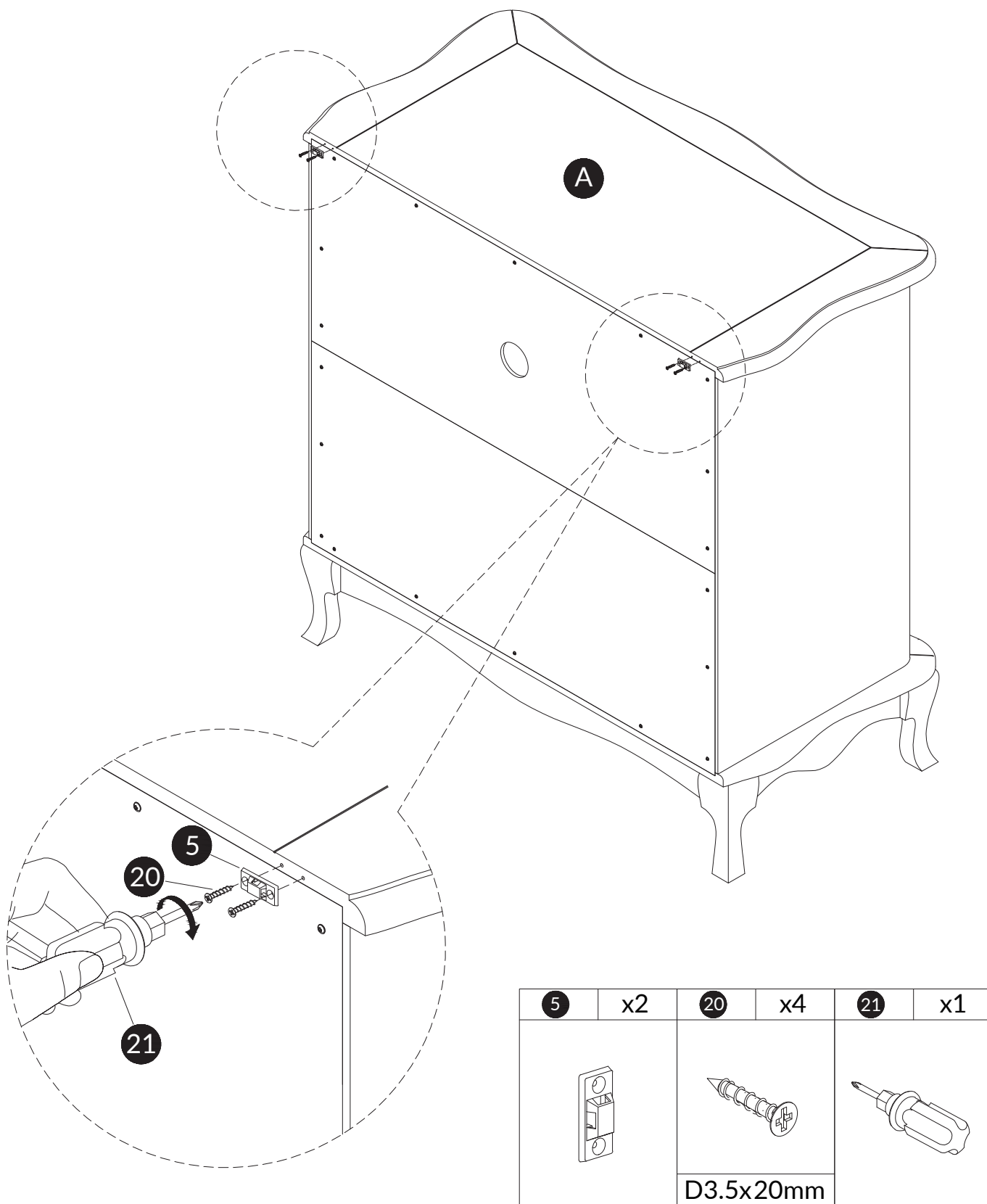


Vertical via slots in
the mounting plate
or via cam
adjustment!

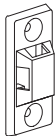
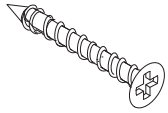

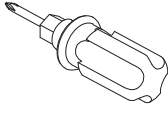


Step 12

Use screw 20 to attach part 5 to back (A), tight screw with screwdriver 21.



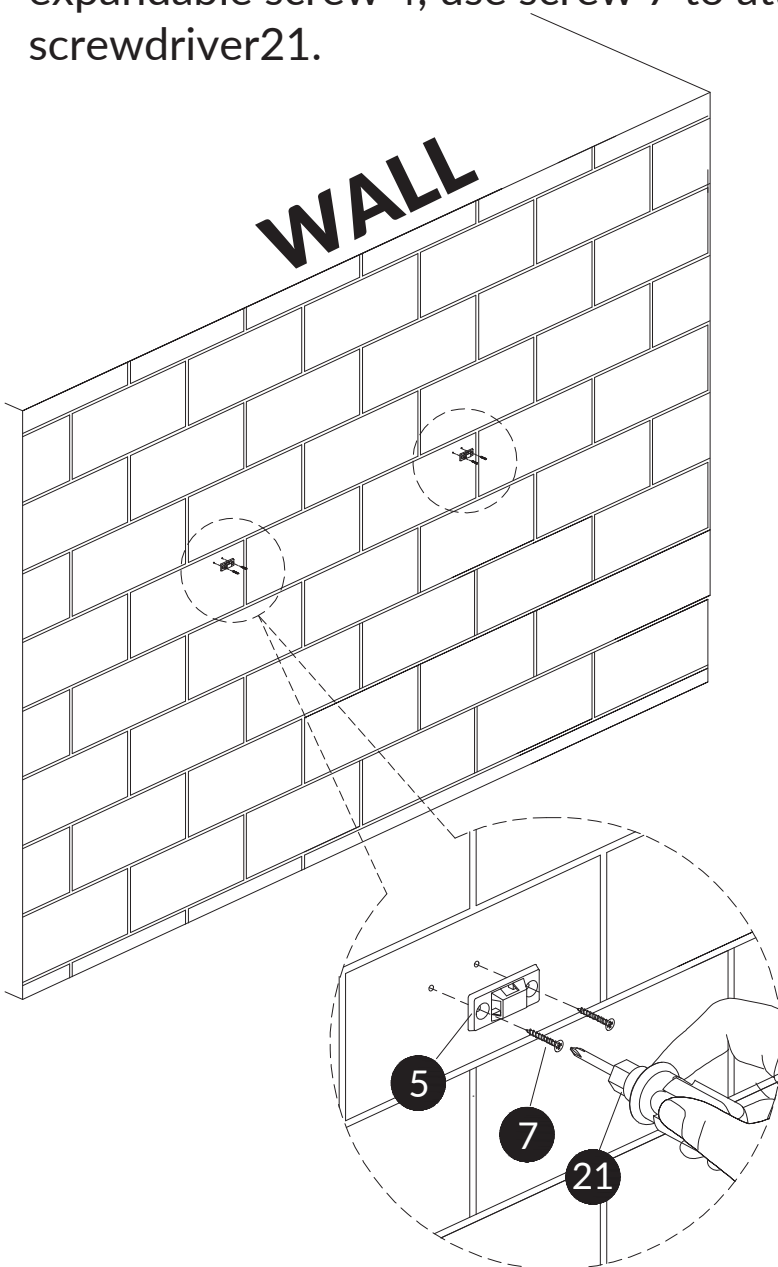
Step 13

5	x2	7	x4	4	x4	21	x1
							
		D4x40mm					

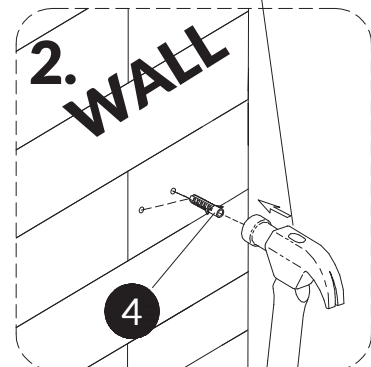
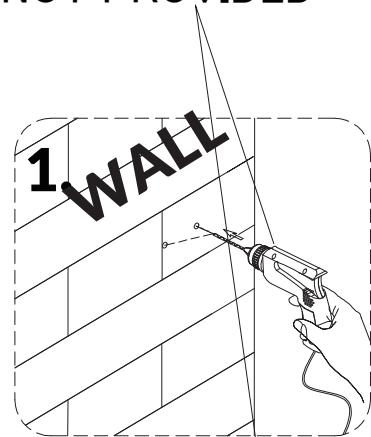
1. Install the anti-collapse device.

2. Mark the position on the wall, that corresponds to the location of part 5 on the of panel (A); Drill and insert the expandable screw 4 by hammer.

3. Assemble the part 5 to the wall. Align the hole in the part 5 with the expandable screw 4, use screw 7 to attach it and tighten by screwdriver 21.

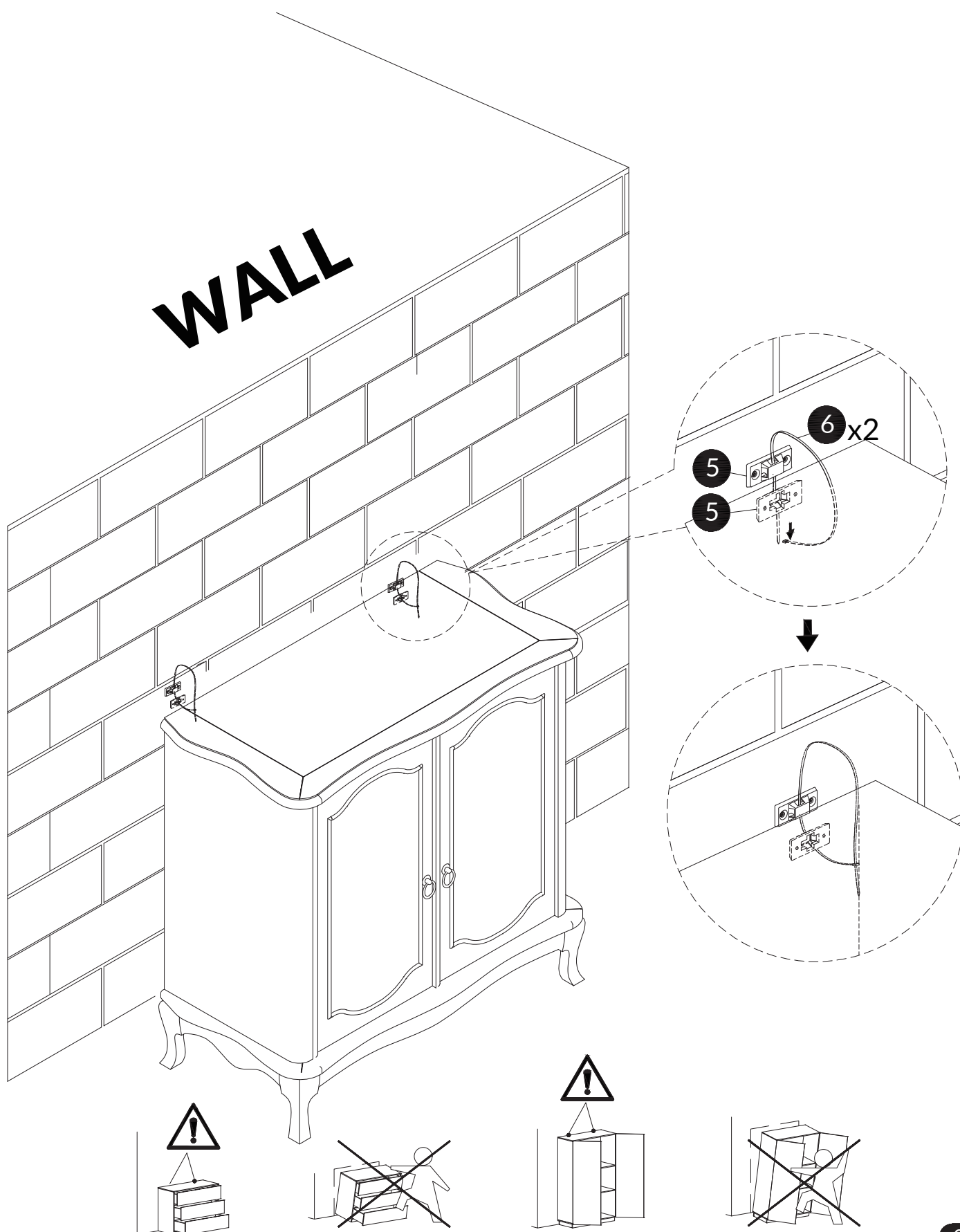


NOT PROVIDED



Step 14

Let the plastic belt 6 pass through the both part 5 and pull tightly.



WARRANTY

- We strive to offer quality products, and we also try our best to satisfy every customer who orders from us with products or services as needed.
- Replacement parts by purchasing them from our company if they are available.
- For return, please check the return policy with the retailer or market place you bought from

Appreciate your purchasing from us.
Pop up your life by our furniture piece!