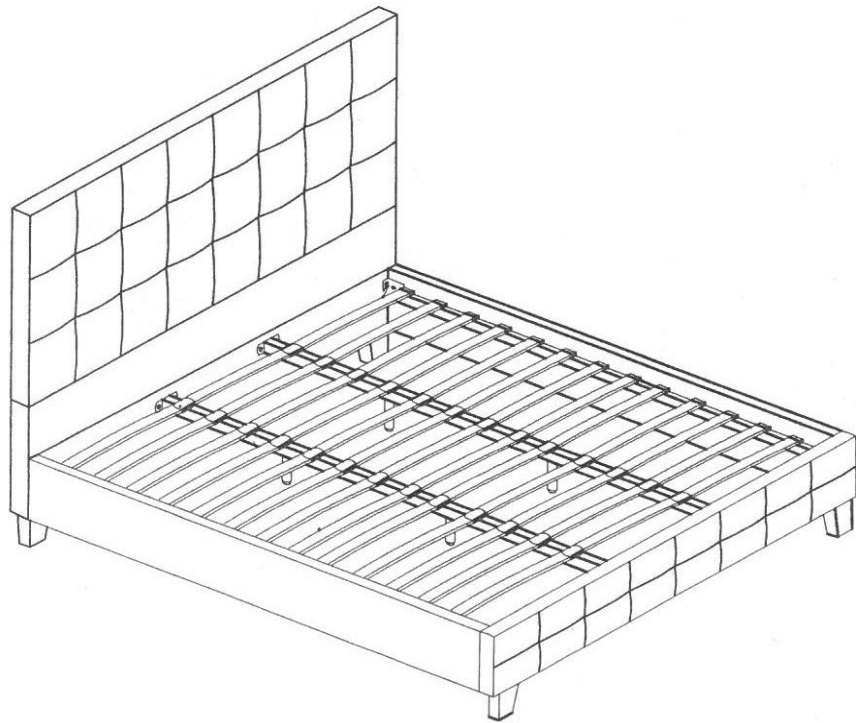
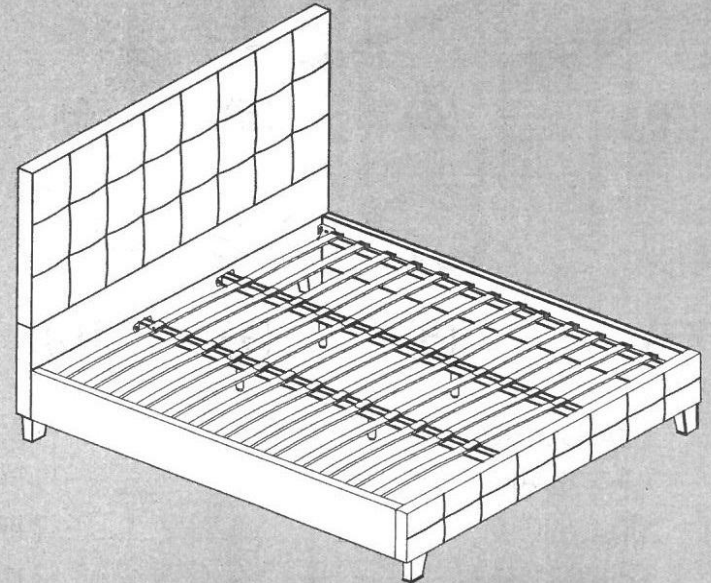


Model: _____
Lot No: _____
Date of Purchase: _____



BED / EASTERN KING



ADULT ASSEMBLY REQUIRED

If you are missing any parts or have any questions regarding assembly, do not return this item to the retailers store. Please call our toll-free customer service number and have this assembly manual open to the parts list ready to provide the model name, and part name or number.

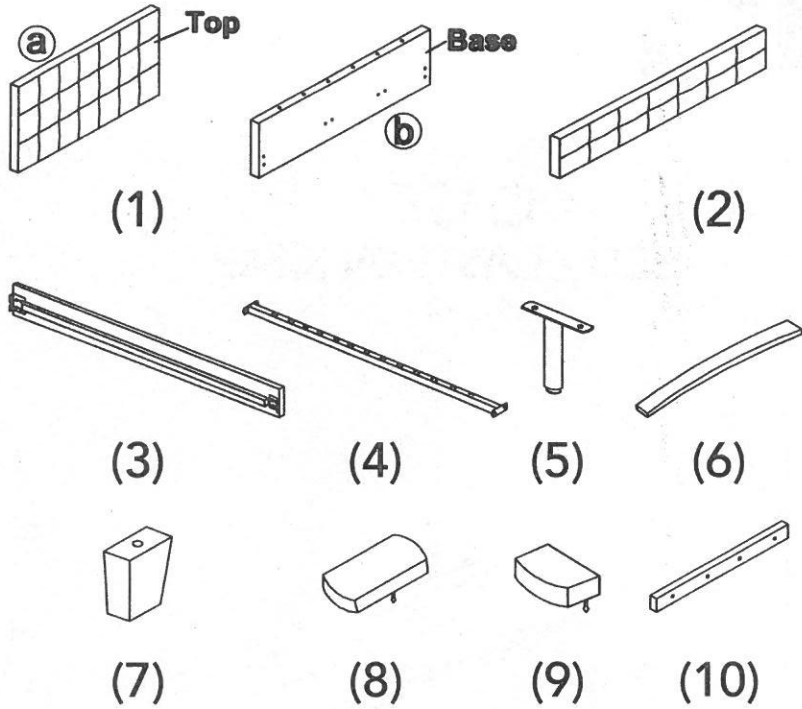


WARNING: This product may contain small components, please ensure they are kept away from small children.

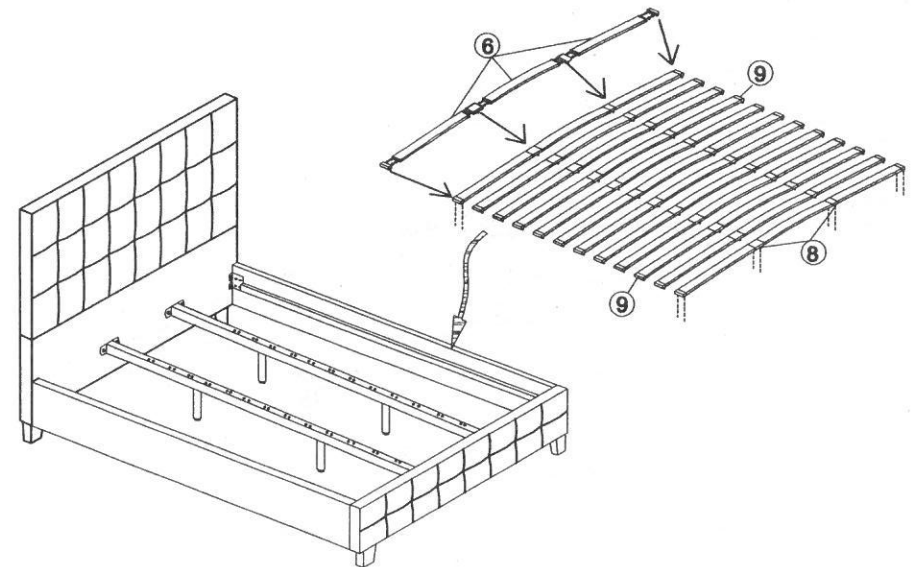
PARTS AND HARDWARE

Avoid using sharp objects such as a knife to cut open packing as you may accidentally damage the upholstery.

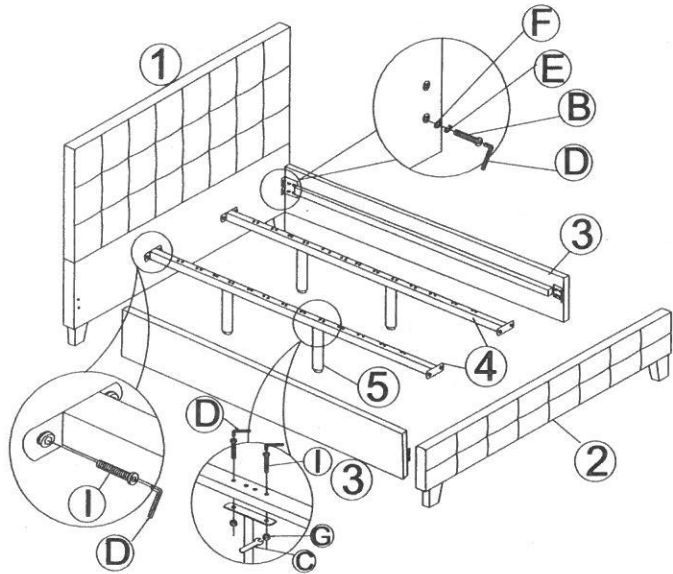
5



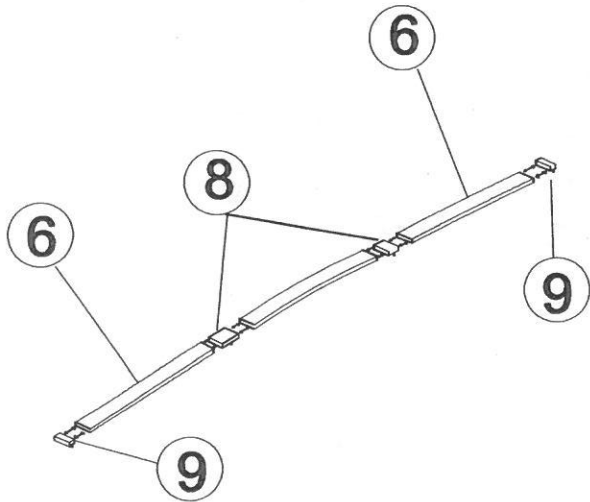
1	HEADBOARD	1 PC
2	FOOTBOARD	1 PC
3	SIDE RAIL	2 PCS
4	SUPPORT BAR	2 PCS
5	SUPPORT LEG	4 PCS
6	SLATS	39 PCS
7	LEGS	4 PCS
8	CENTER PLASTIC CONNECTOR	26 PCS
9	END CAP	26 PCS
10	CONNECTING WOOD	2 PCS


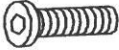









3



4



A		Ø5/16" X 2-3/4" BOLT	10 PCS
B		Ø5/16" X 1-1/8" BOLT	8 PCS
C		SPANNER	1 PC
D		ALLEN KEY	1 PC
E		SPRING WASHER	26 PCS
F		FLAT WASHER	26 PCS
G		NUT	8 PCS
H		Ø5/16" X 2" BOLT	8 PCS
I		Ø5/16" X 1-3/8" BOLT	16 PCS

