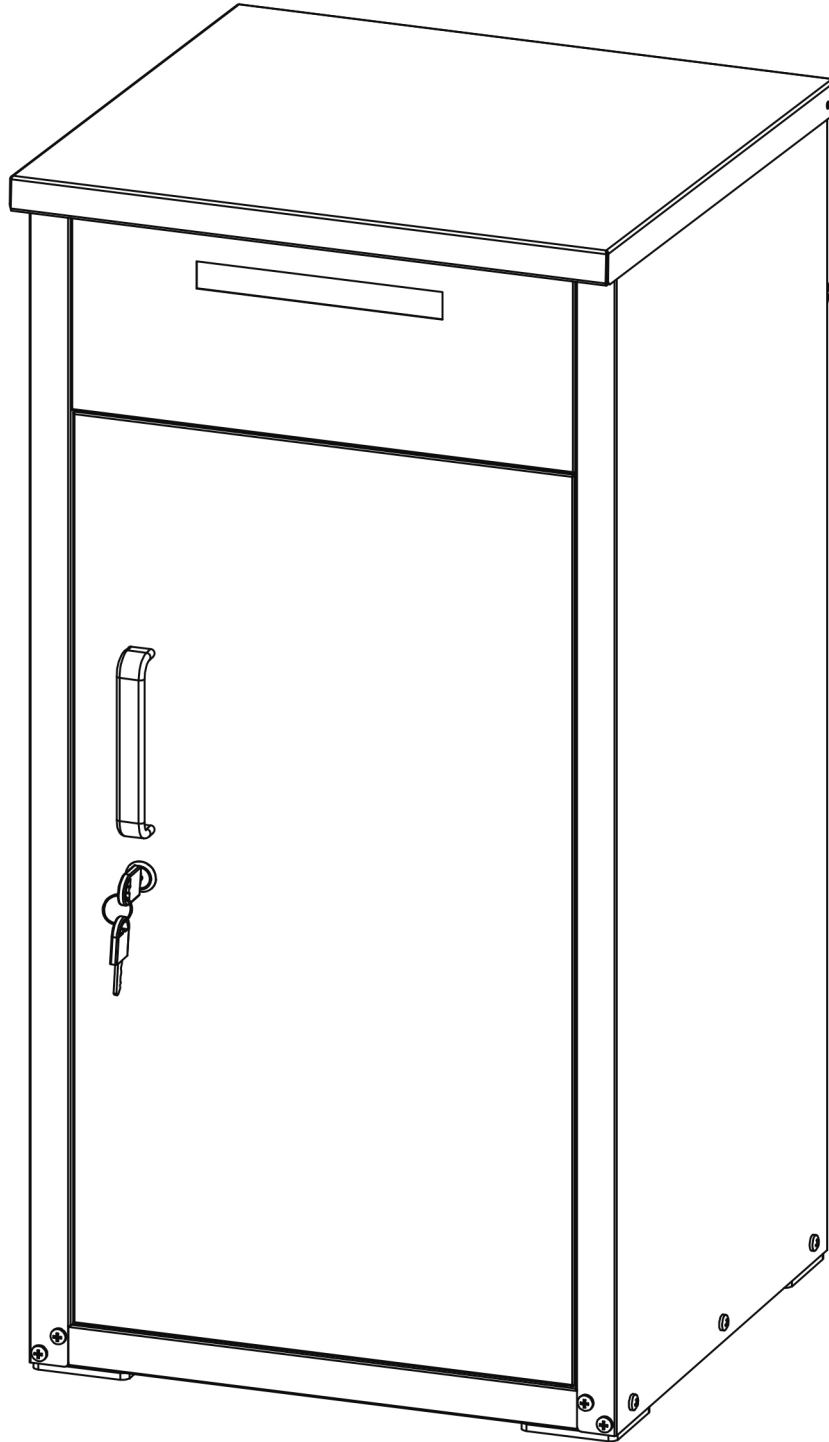


# ASSEMBLY INSTRUCTIONS

## Express Delivery Cabinet



Thank for choosing our product. Please kindly check parts listed below and read this manual carefully, then assemble them step by step. Please feel free to contact us for any questions. Retain instructions for future reference.



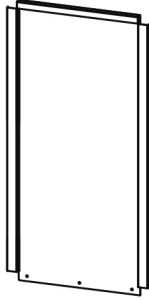
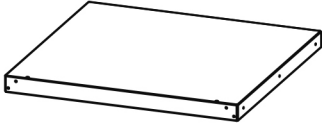
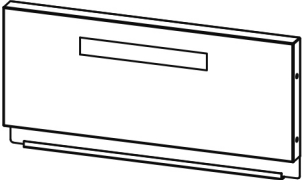

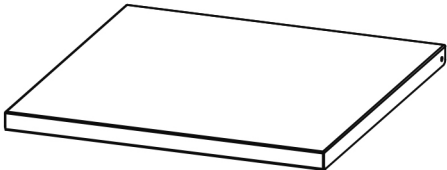
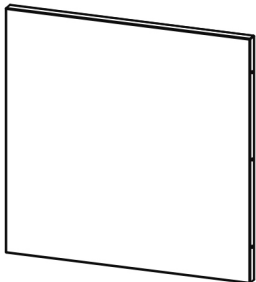
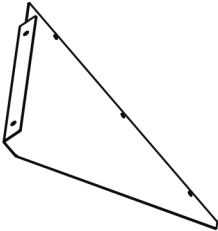
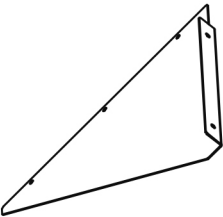


# ATTENTION

1. 2 persons are recommended to assemble it. Power tools are highly recommended for screwing.
2. Please wear protective gloves when assemble for safety.
3. We value your experience, so whenever you encounter any issues (whether it's related to delivery, assembly, usage, or post-purchase care, etc.), please contact us promptly.
4. Please keep your children away until the installation is complete. This product contains small parts that could pose a choking hazard if swallowed.

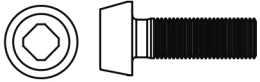


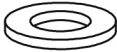


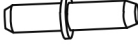

# ABOUT ASSEMBLY

1. Prior to assembly, separate and count all parts and hardware and identify all the parts as listed are received.
2. Please read the instructions manual before installation and follow the steps carefully as shown in the diagrams.
3. Please do not fix screws tightly before all the screws are aligned. Tighten all screws at last.
4. Please distinguish the type & quantity of screws in each step, as enlarged view shown for details

# PARTS LIST

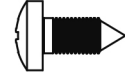
A	1PC	B	1PC	C	1PC
					
D	1PC	E	1PC	F	1PC
					
G	1PC	H	1PC	I	1PC
					
J	1PC	K	1PC	L	2PCS
					

# PARTS LIST

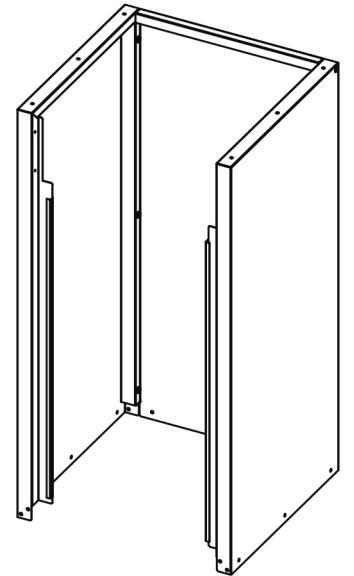
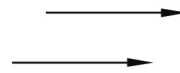
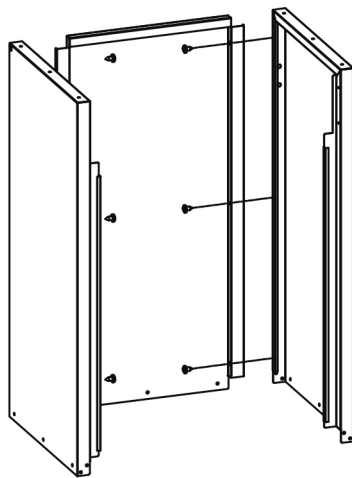
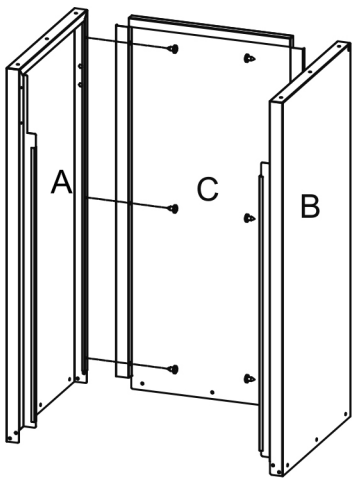
M	10PCS	N	33PCS	O	1PC	P	2PCS
							
U	2PCS	R	2PCS	S	1PC	T	6PCS
							

## Step 1

**N**

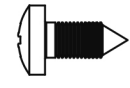


**6PCS**



# Step 2

**N**

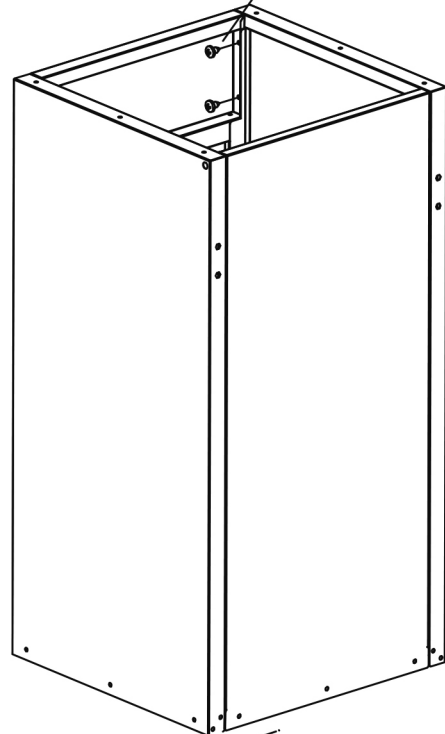
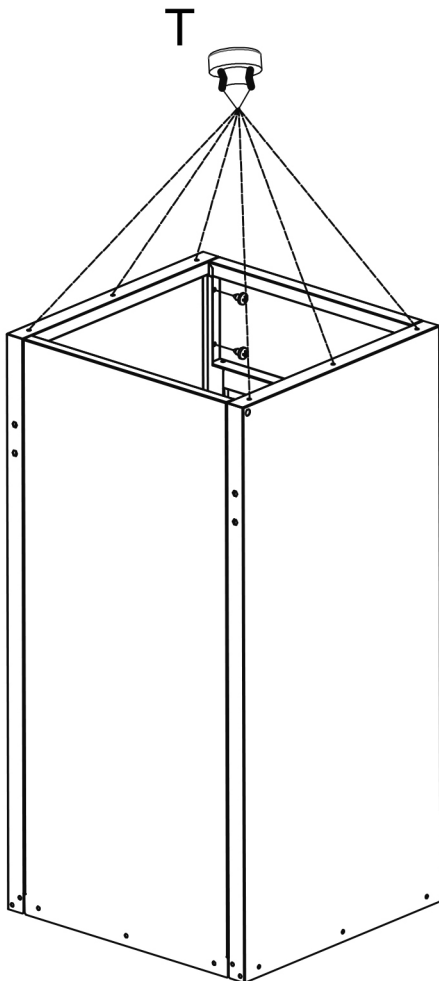
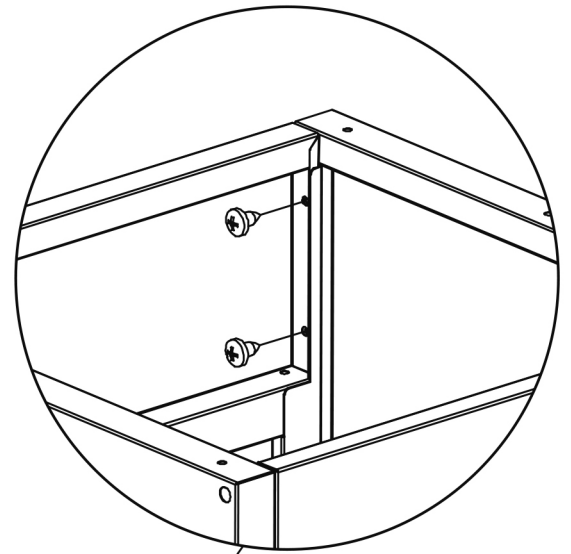
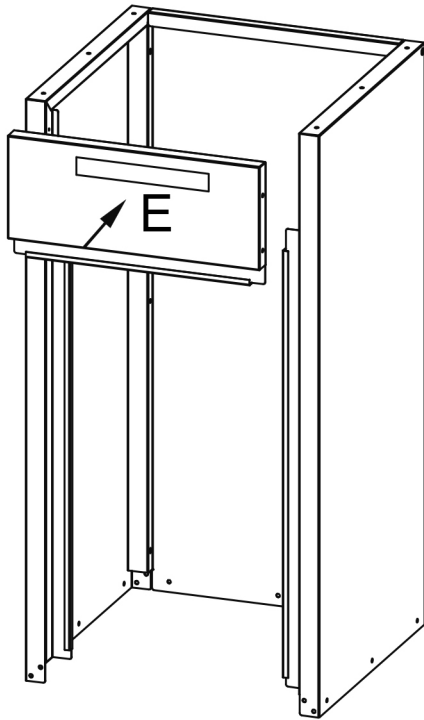


**4PCS**

**T**

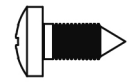


**6PCS**

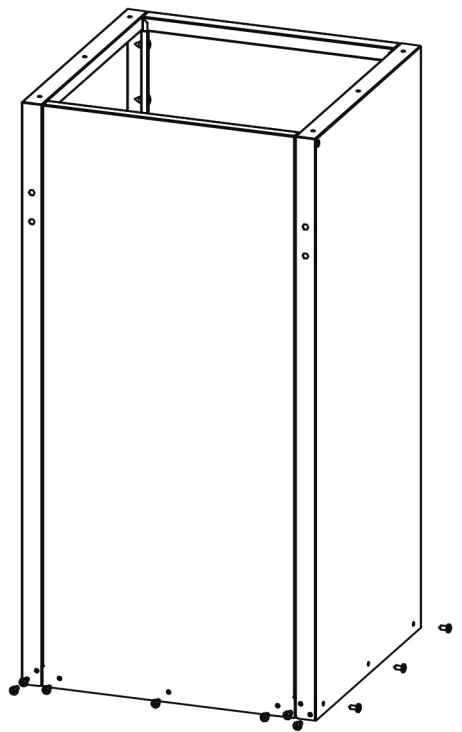
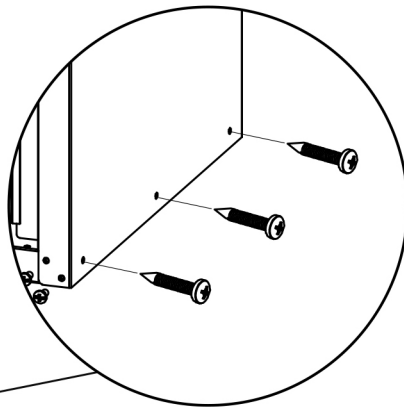
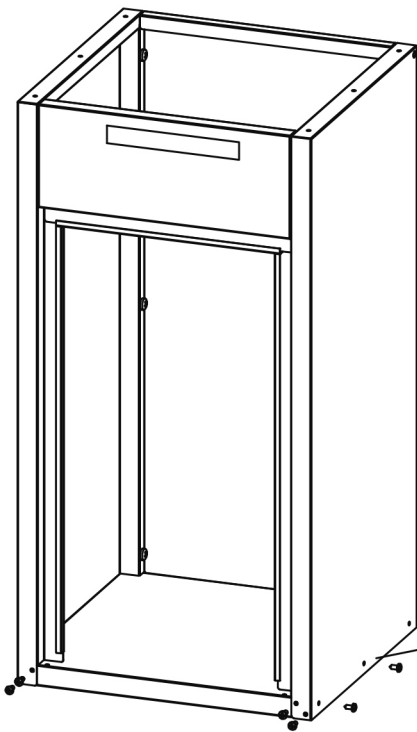
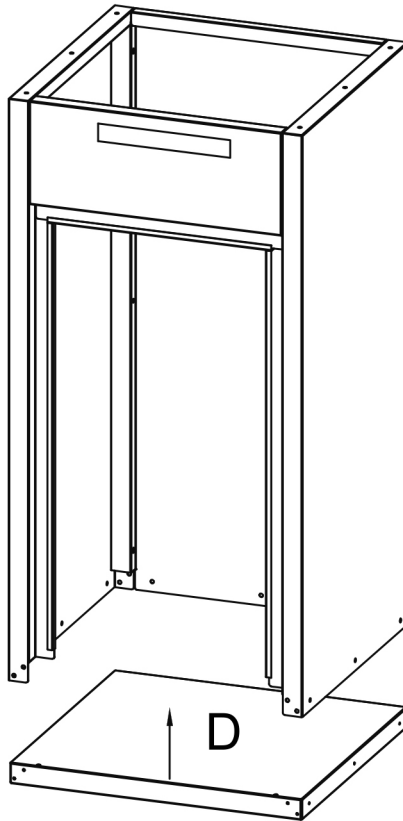


Step 3

N



17PCS



# Step 4

**U**

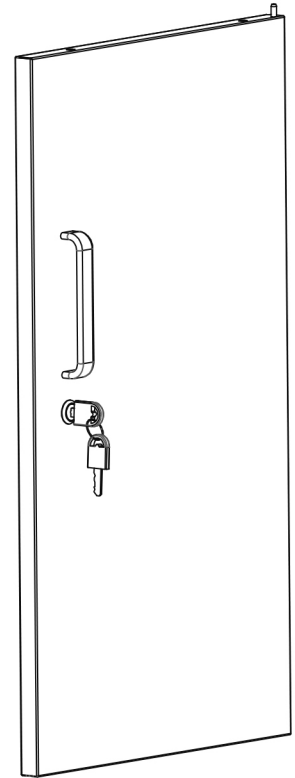
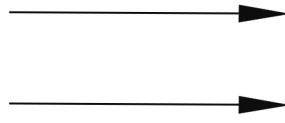
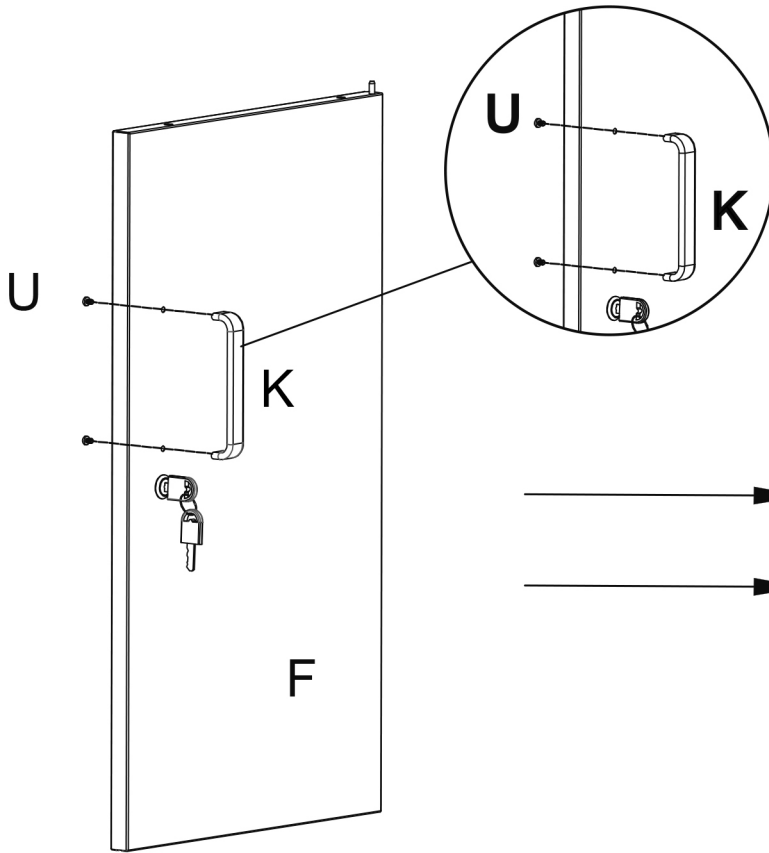


2PCS

**K**

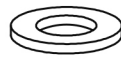


1PC



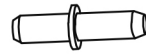
# Step 5

**P**

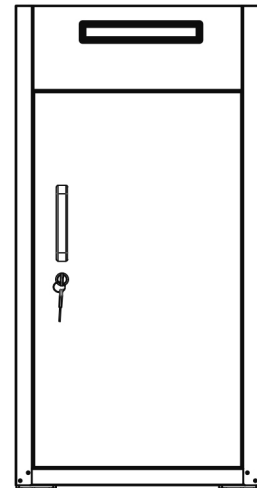
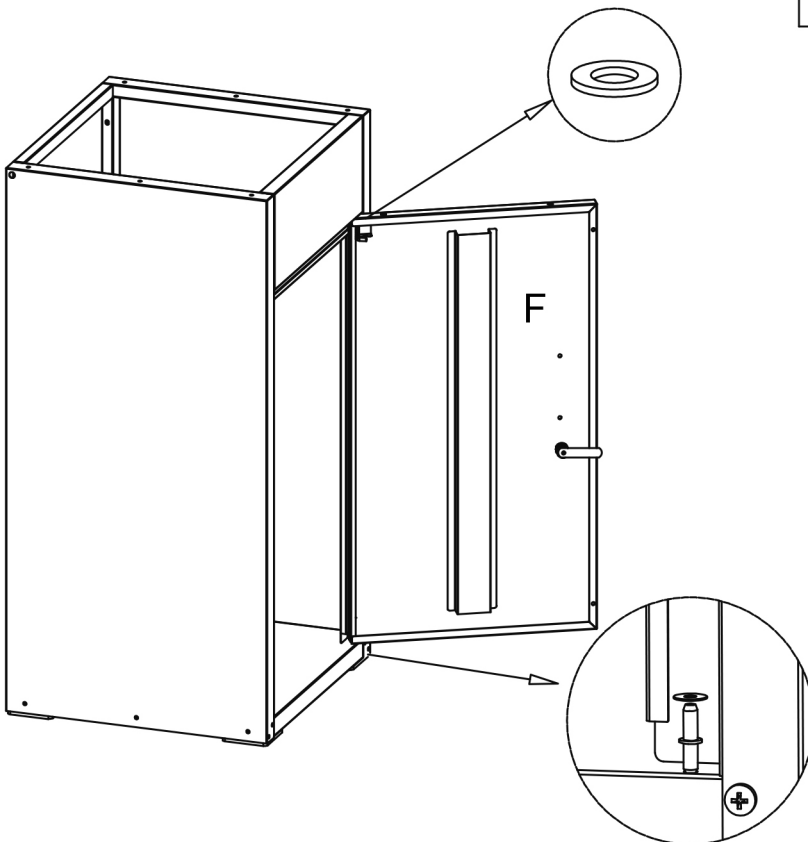


2PCS

**S**

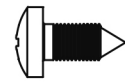


1PC



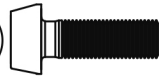
# Step 6

**N**



6PCS

**M**

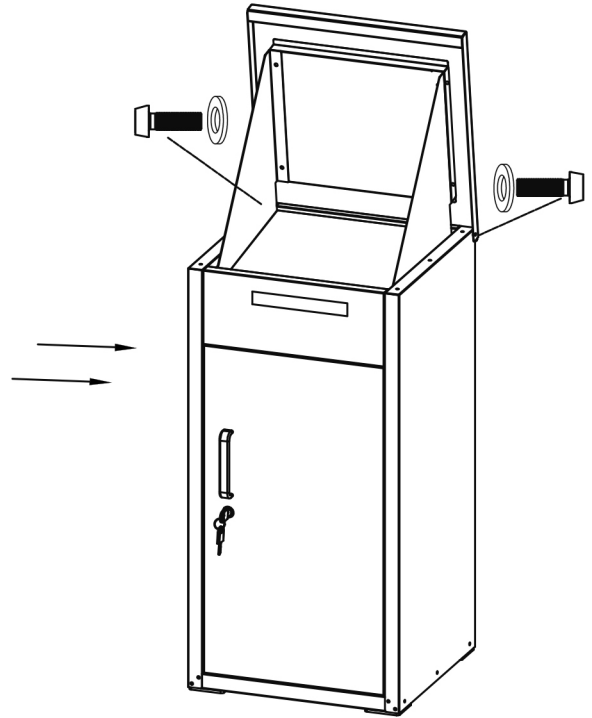
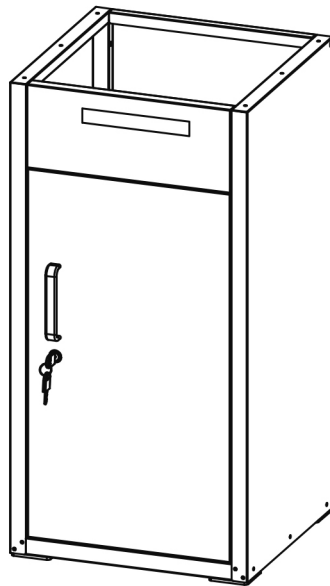
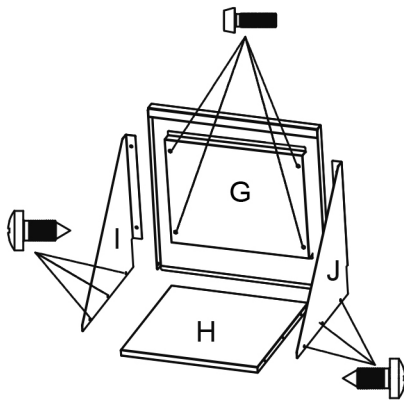


6PCS

**L**

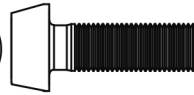


2PCS



# Step 7

**M**



4PCS

