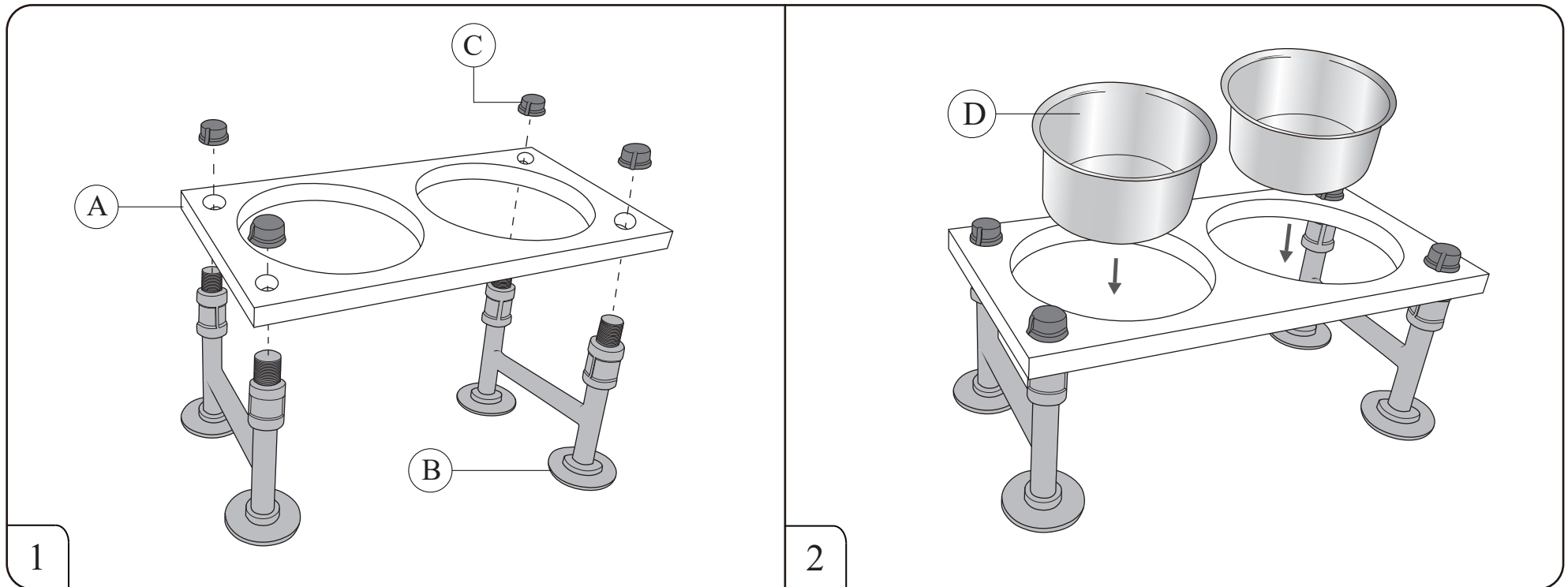
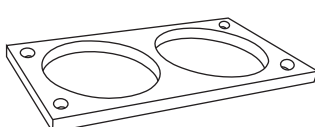
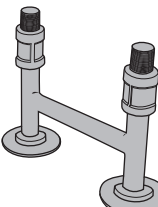
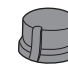



# Pet Dining Table



No.	A	B	C	D
Part				
Pcs	1	2	4	2

