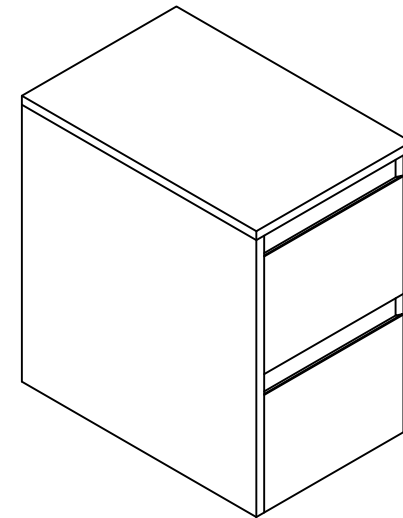


Installation Manual-BV B120 C12B

MOTIVATE
YOUR LIFE !

THANKS FOR WATCHING

Your feedback is invaluable to us and we would love to hear about your experience. Please take the time to leave us a review.


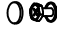
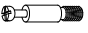


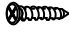



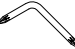


Thank you for shopping with us!

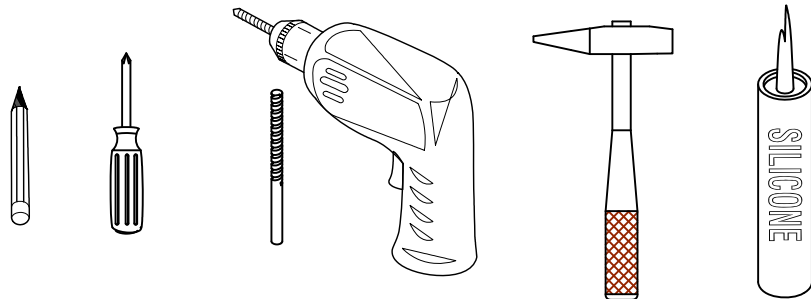
We encourage you to take a few minutes to go through this booklet. It contains important information on installation and care tips to keep your furniture looking as good as new.

Item NO.:BV B120 C12B

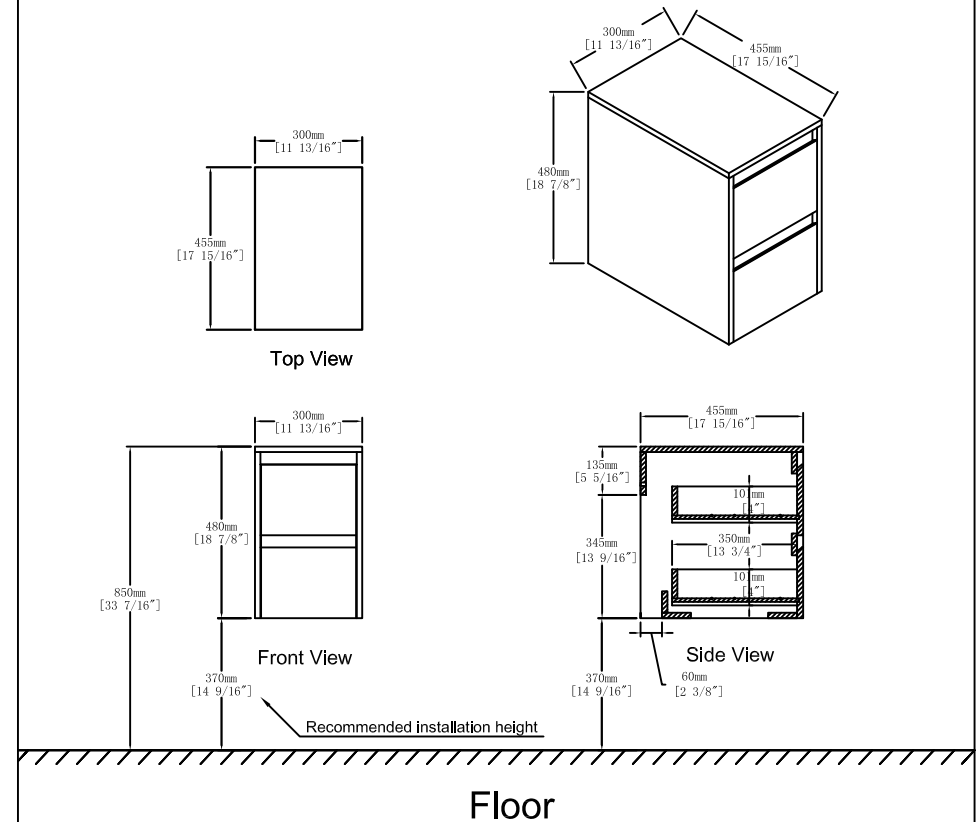
Hardware

NO.	Draw	QTY	NO.	Draw	QTY
A	 Screws Ø4x14mm	20	F	 Screws for fix on the wall	2
B	 Two-in-one connector	44	G	 Track	2
C	 Two-in-one connector	44	H	 Screws Ø4x20mm	4
D	 Wood plug	6	I	 Anti-collision gasket	8
E	 Plastic anchor(Ø10mm)	2	J	 Screwdriver	1

Recommended tools



Dimensions



CARE CLEANING AND MAINTENANCE

1. Dust regularly with a soft , dry cloth.
2. Avoid the use of all chemicals household cleaners, abrasives, or cleaners that contain lemon, vinegar, or other acids that may damage the finish.
3. Excessive exposure to sunlight and extreme changes in temperature and moisture can damage wood furniture.
4. Do not place hot appliances, such as curling irons and hot hair dryers directly on the countertop. Wipe spills immediately.

Step 14

(Ø4 x 14mm)
A x8

Tool

First step

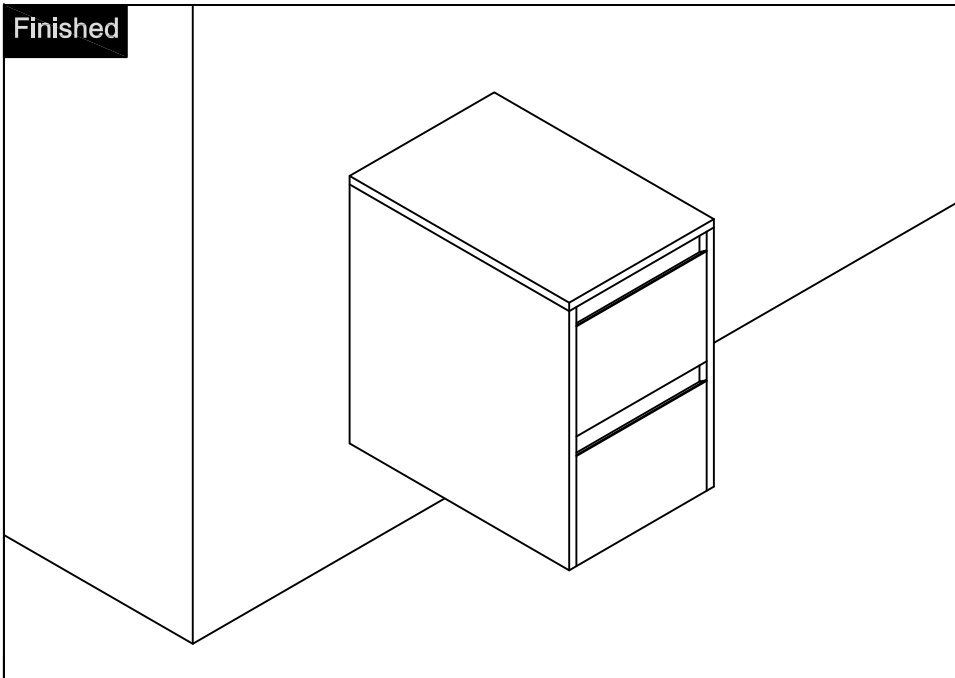
Second step: Tuck the rear holes.

Third step: The bottom of the rail is fixed with screw A.

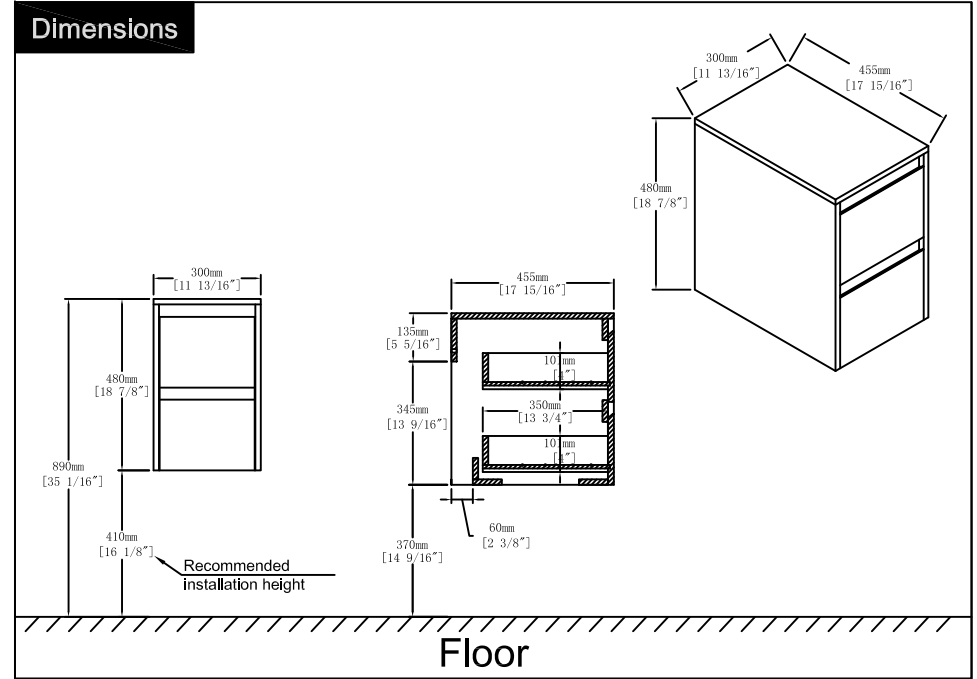
Note: The rails adjust their height 3mm.

3mm [1/8"]

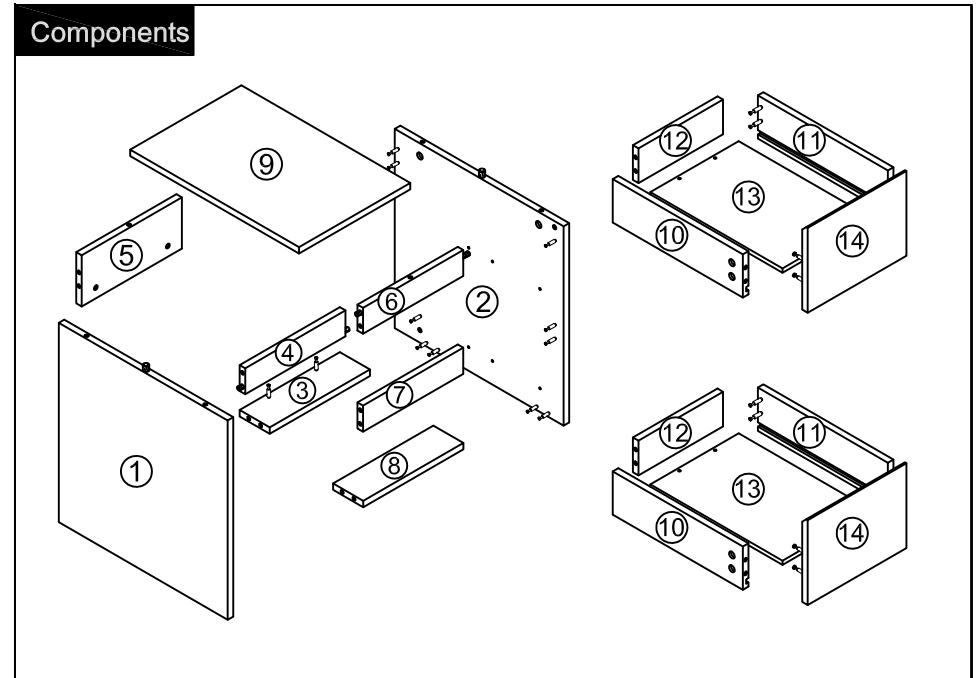
Finished



Dimensions

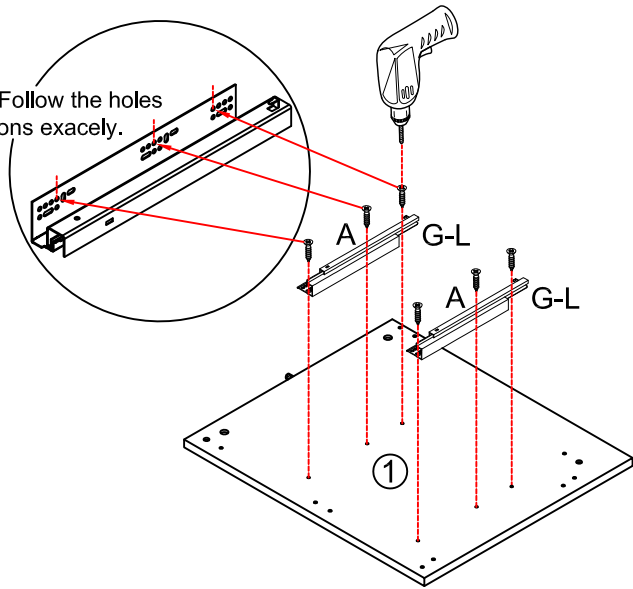


Components

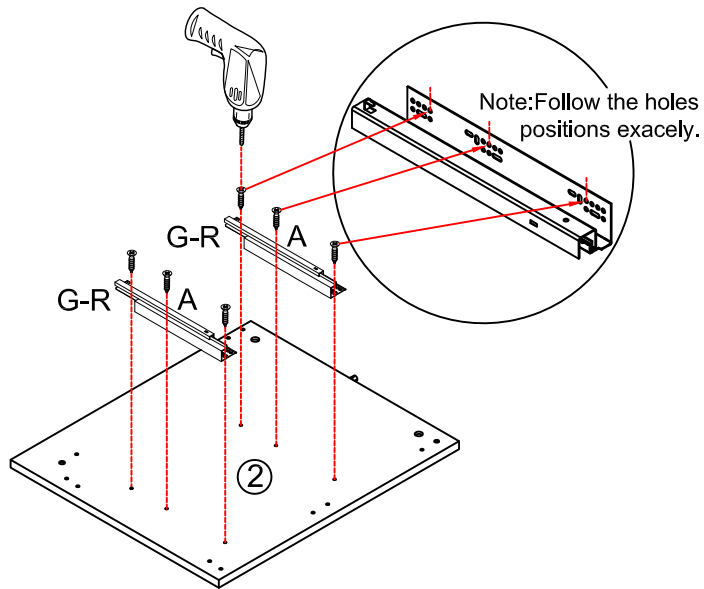


Step 1

Note: Follow the holes positions exactly.

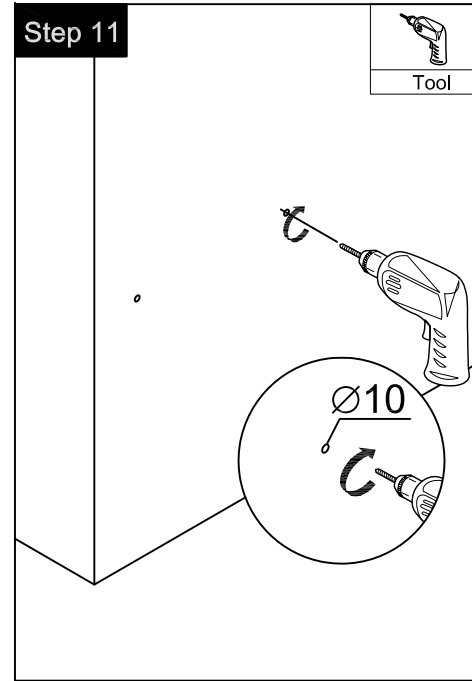


	G-R
	G-L
	x2
	G
	($\varnothing 4 \times 14\text{mm}$)
	A
	x12
	Tool



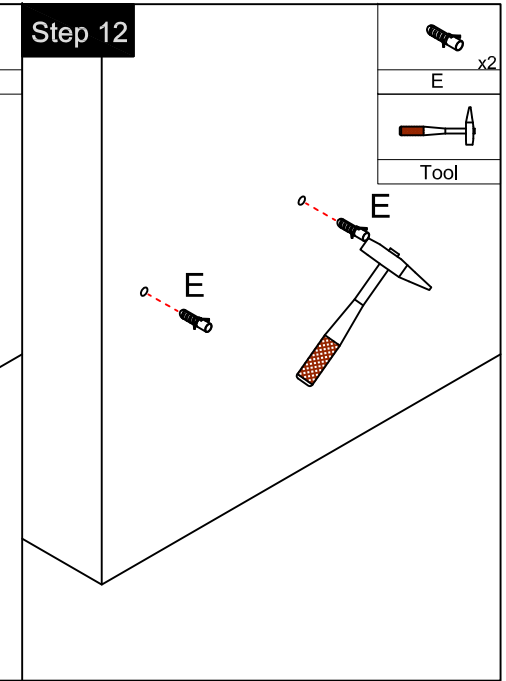
Note: Follow the holes positions exactly.

Step 11



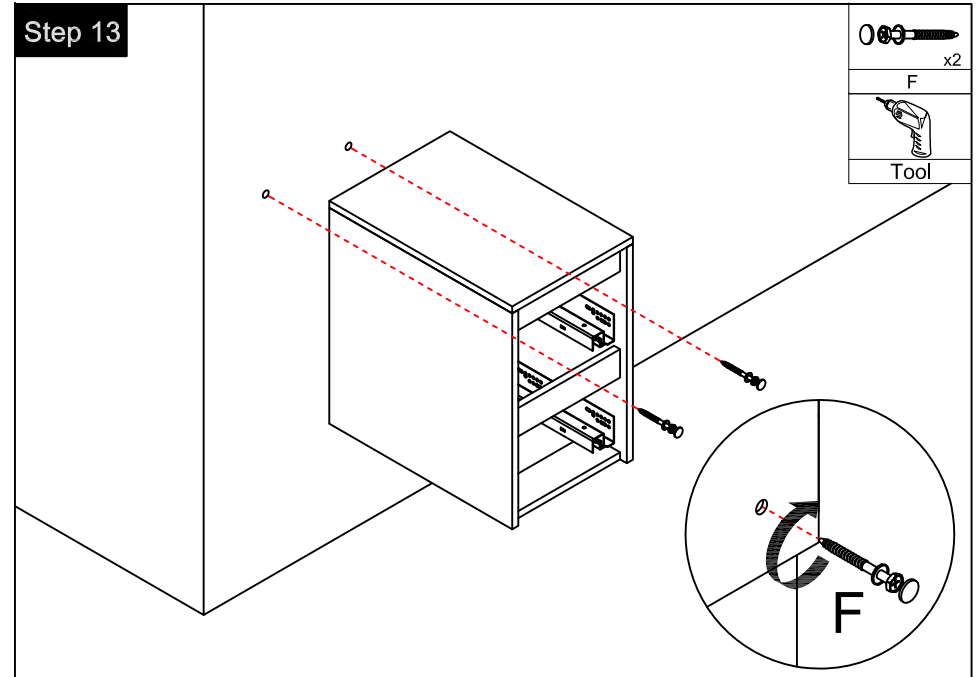
	Tool
--	------

Step 12

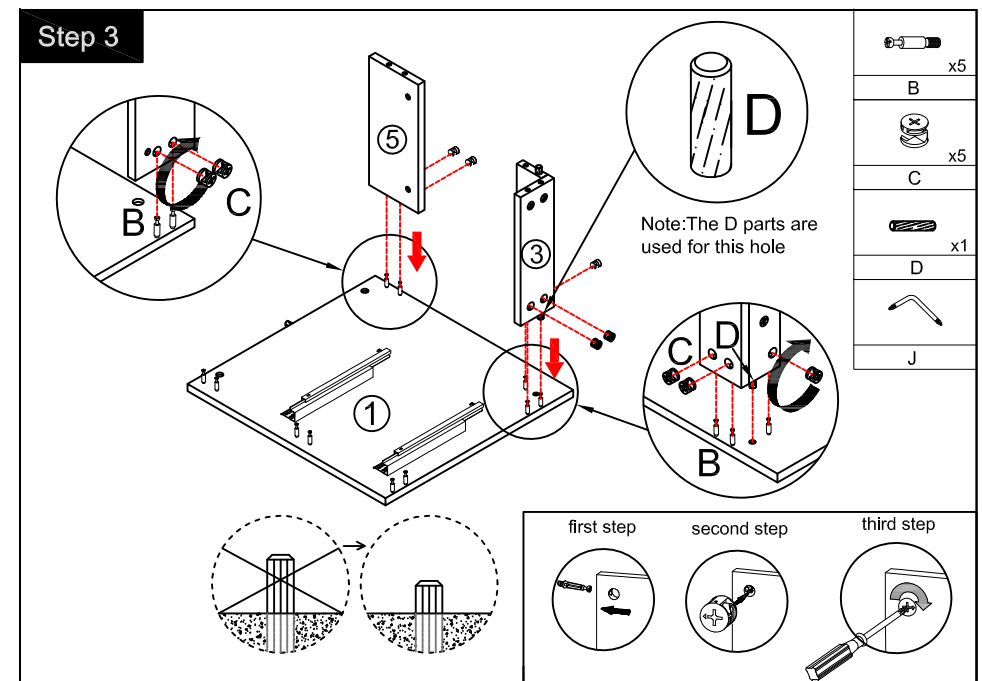
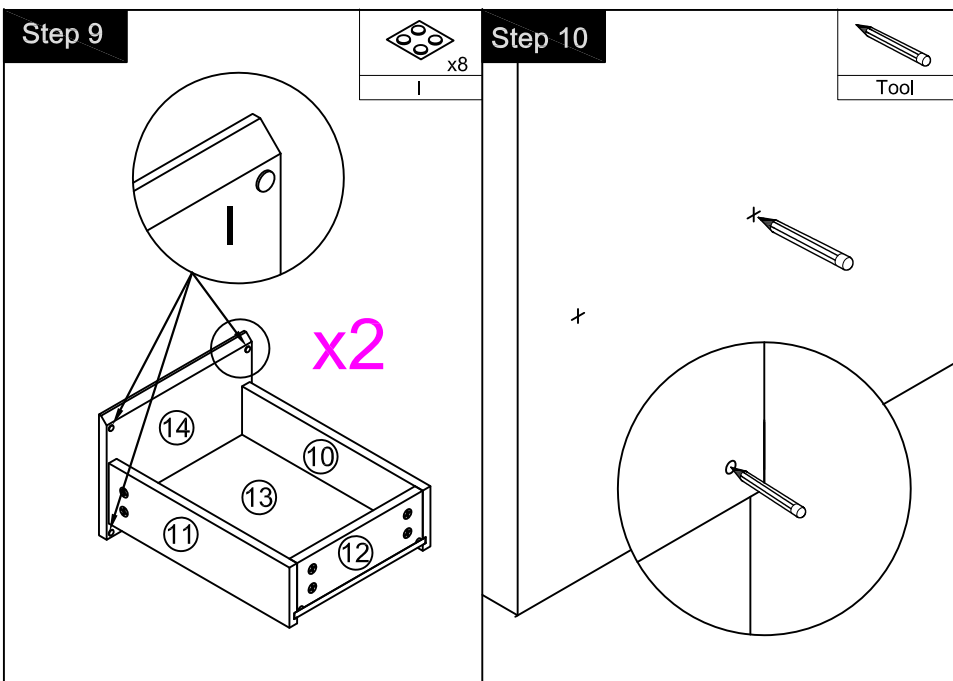
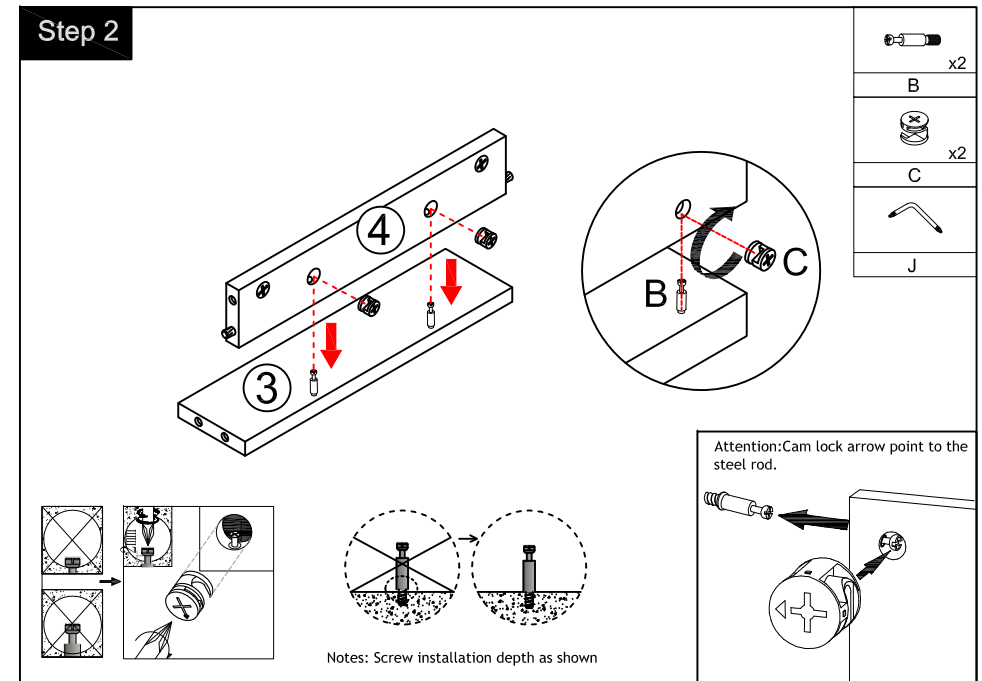
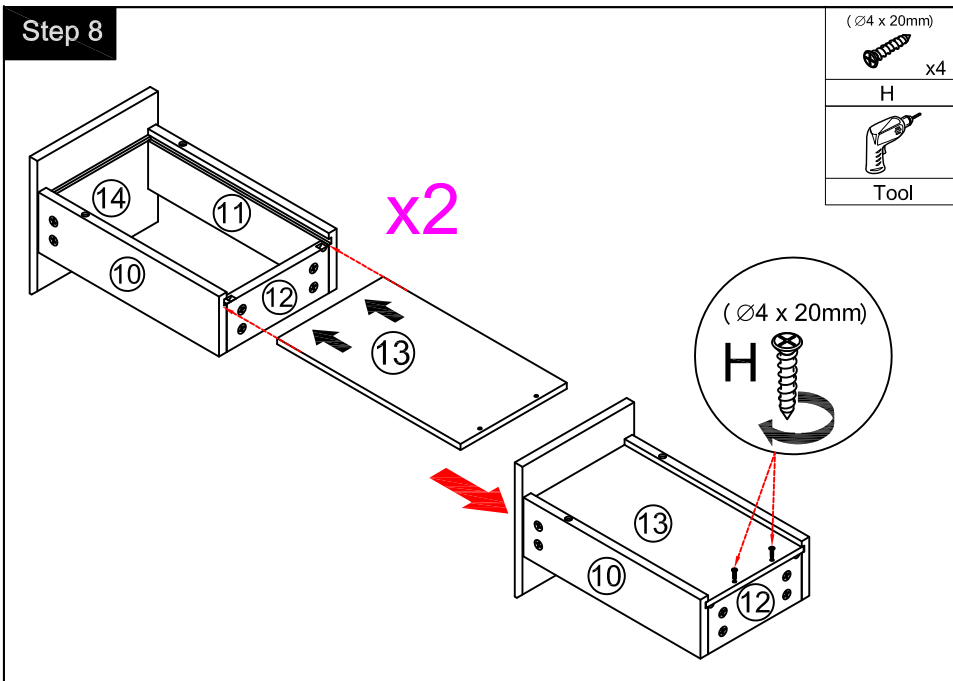


	E
	x2
	Tool

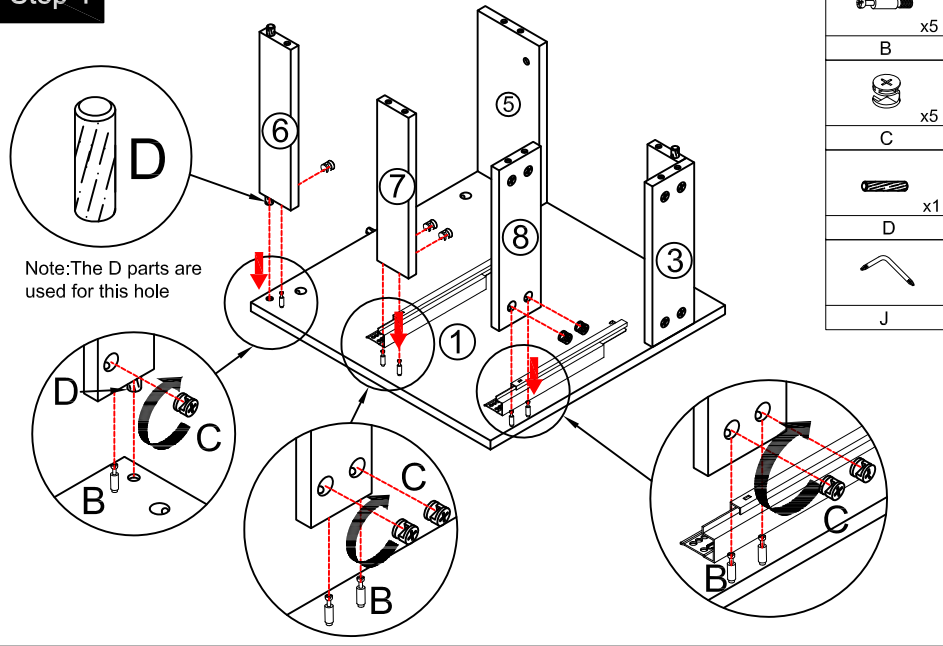
Step 13



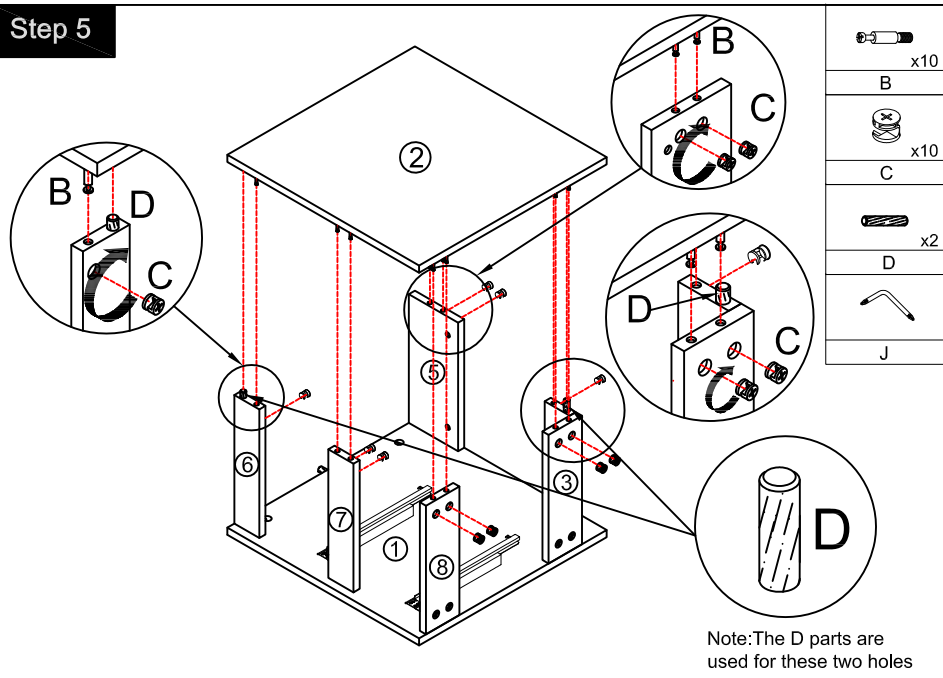
	F
	x2
	Tool



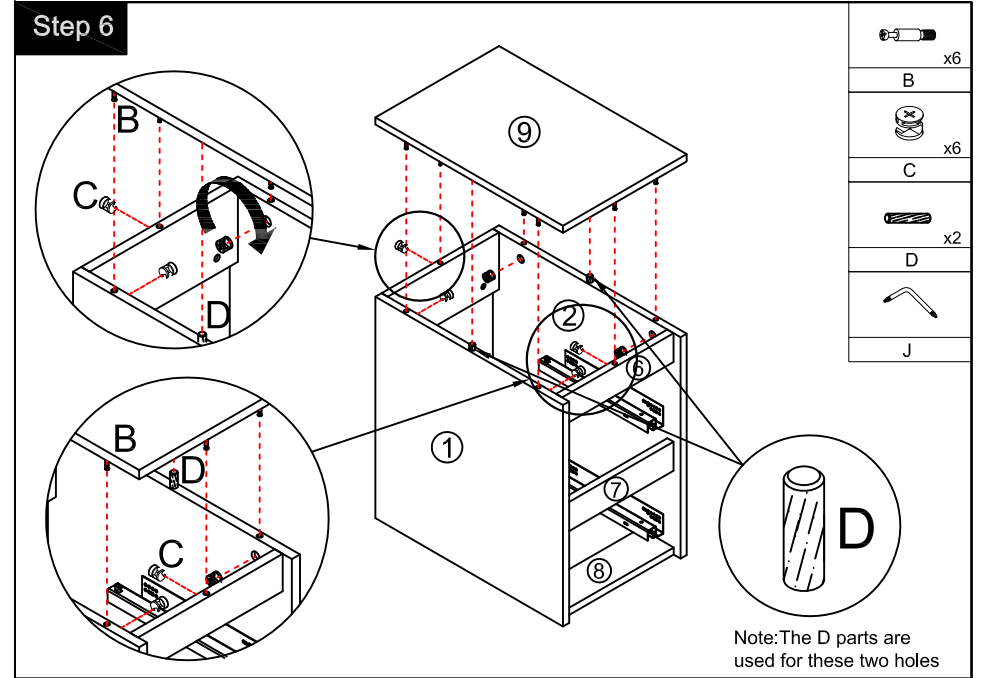
Step 4



Step 5



Step 6



Step 7

