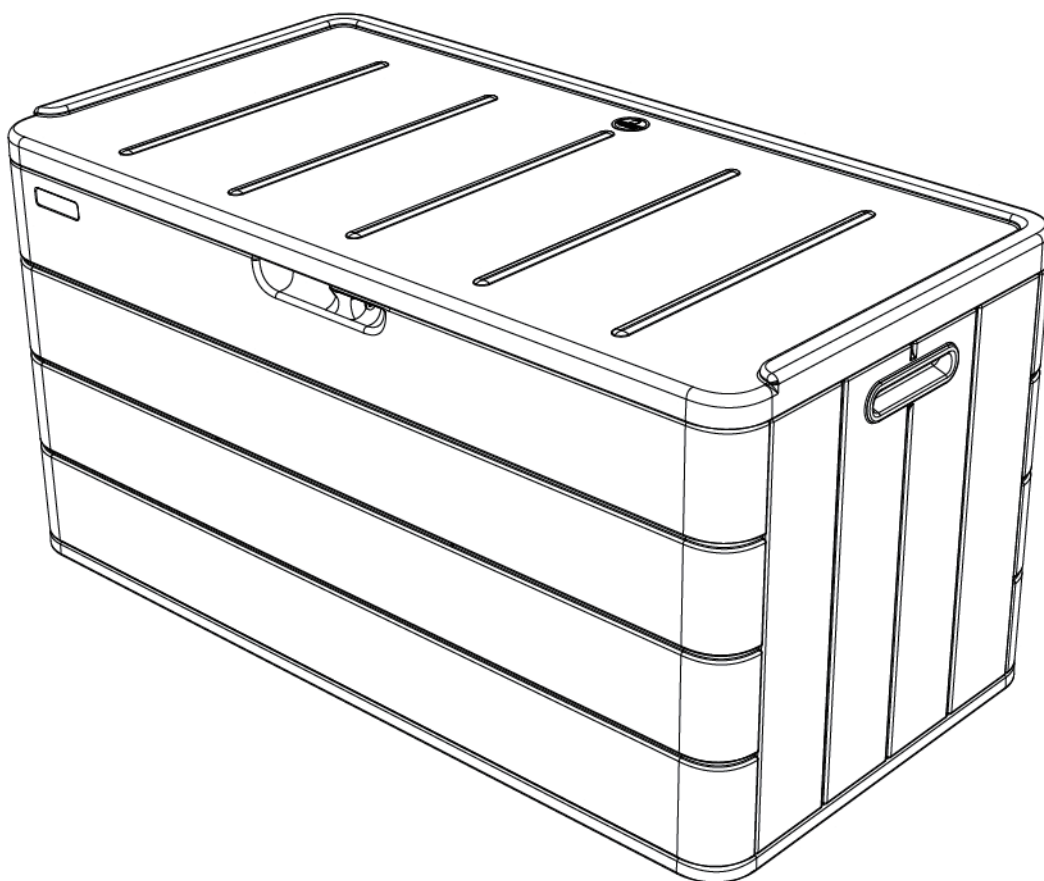


SMALL SINGLE CABINET

installation instructions



ABOUT PRODUCT ASSEMBLY

Do not assemble the storage shed on severe cold or strong windy days.

We would advise 2 person to assist in the assembly of the storage shed to secure parts in place.

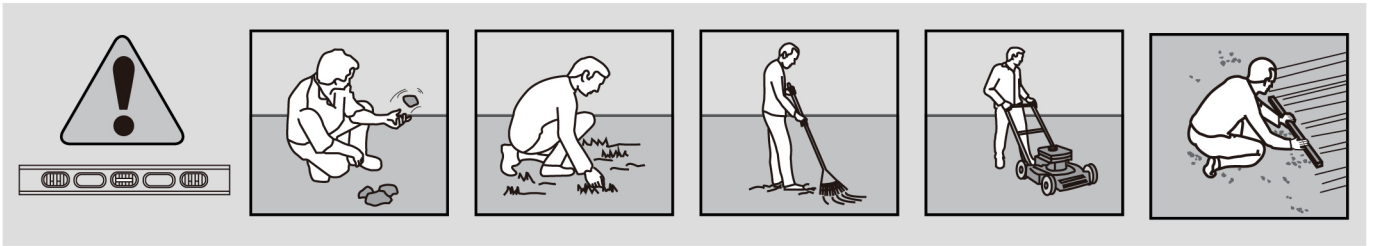
Please check your package according to the PARTS LIST in the instructions to ensure that there are no missing or damaged before you starting assembly, kindly contact us if you find any wrong.

Please read instructions thoroughly prior to assembly, assemble all the parts according to the directions in this instructions, do not skip and steps

Our company provides extra hardware for use as spare parts for customer convenience. **Please save the spare parts.**

We would kindly advise you to follow the instructions in the manual to install, wrong assembly methods can result in damage to the inside of the hole to create links between the panels loose or unable to assembled properly.

LEVEL THE GROUND SURFACE



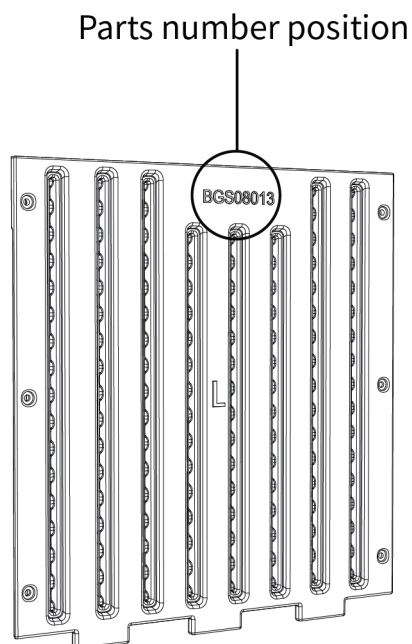
Level the ground surface before unpacking parts and beginning assembly.

TOOLS REQUIRED



Screwdriver

PARTS NUMBER POSITION



ABOUT PRODUCT MAINTENANCE

This storage shed should be far away from the open flame.

Do not use the storage shed in extreme weather conditions.

Do not stack more than 20 kg items on the storage shed roof all the time in case deformation of the roof.

At regular check the storage shed to ensure that it's stable and assembly integrity has been maintained.

Please keep doors closed and locked outdoor when the storage shed is not in use long time to prevent wind damaged or damaged by animals or bad people.

Do not store hot items(recently used grills, blowtorches etc.),flammable or caustic chemicals in the storage shed.

Wash the storage shed with a mild soap and water if there is any stain on the storage shed. Do not use a stiff brush,bleach,ammonia or any other caustic cleaners, as these may damage the storage shed or could result in permanent staining of the plastic.This is not manufacturing defect and is not covered under warranty.

If the environment permits, install the storage shed in a cool place, as prolonged exposure to direct sunlight may deform the panel and accelerate aging.

Parts List

No.	Parts No.	Name	Material	Quantity	Specifications
1	BGS08011	Floor	HDPE	1	1160x600x32
2	BGS08012	back panel	HDPE	1	1160x550x70
3	BGS08021	front panel	HDPE	1	1160*550*70
4	BGS08013	Left side panel	HDPE	1	530*550*29
5	BGS08014	Right side panel	HDPE	1	530*550*29
6	BGS08015	Roof	HDPE	1	1160x600x49
7	GS0201014	Hinge assembly	Plastic	2	70x60x25
8	GS0201028	Strengthen the block	Metal	4	58x18x1.2
9	BGS08016	Support rod	Metal	1	246xΦ8
10	GS0201021	Support rod fixing piece	Metal	1	38x16x1.5
11	BGS08017	Lock plate	Metal	1	30x27.5x15
12	Y3167	Large flat head cross screw	Stainless steel	12	M6x16
13	Y202338	Large flat head cross screw	Stainless steel	8	M5.5x19
14	Y202333	Crosshead screw	Stainless steel	4	M4x10
15	GS080002	Instruction	/	1	
16		Spare parts	/	1	

please save the spare parts.

Wall Panels and Floor

Left side panel
BGS08013

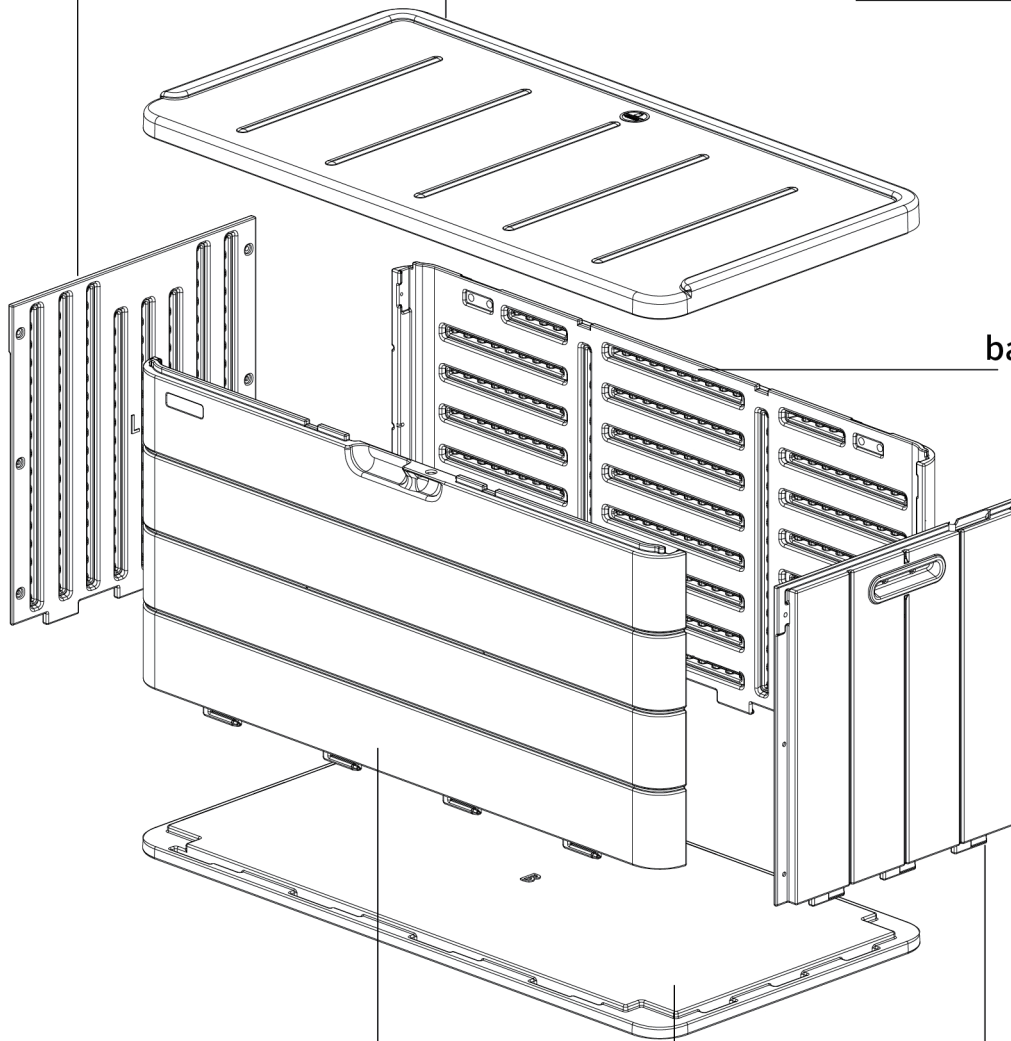
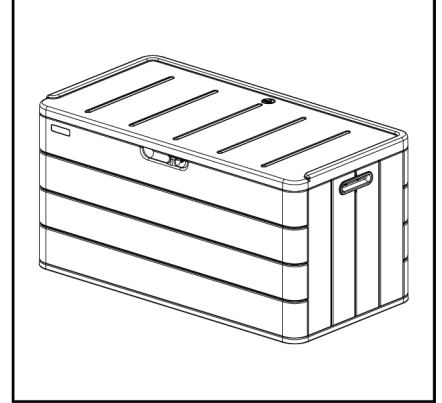
Roof
BGS08015

back panel
BGS08012

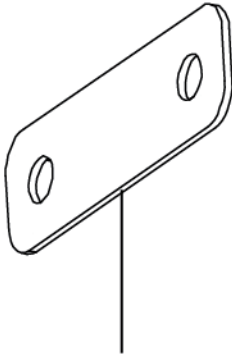
front panel
BGS08021

Floor
BGS08011

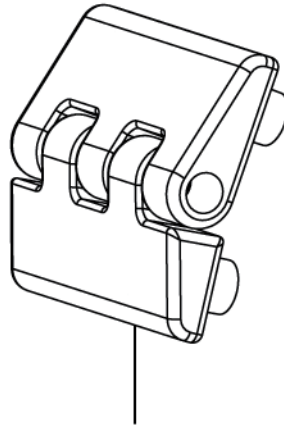
Right side panel
BGS08014



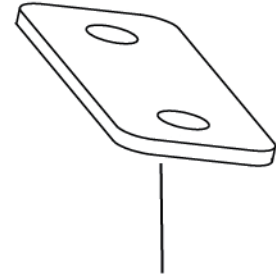
Hardware



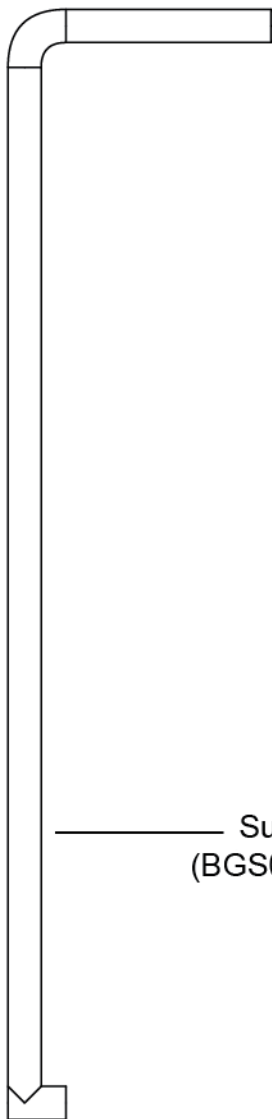
Strengthen the block
(GS0201028)x4pcs



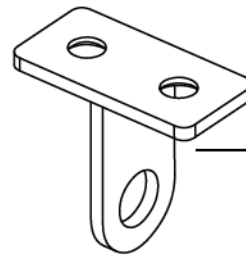
Hinge assembly
(GS0201014)x2pcs



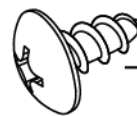
Support rod fixing piece
(GS0201021)x1pcs



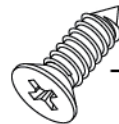
Support rod
(BGS08016)x1pcs



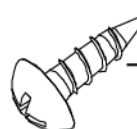
Lock plate
(BGS08017)x1pcs



Large flat head
cross screw
Y3167
M6X16X12pcs



Crosshead screw
Y202333
M4x10x4pcs

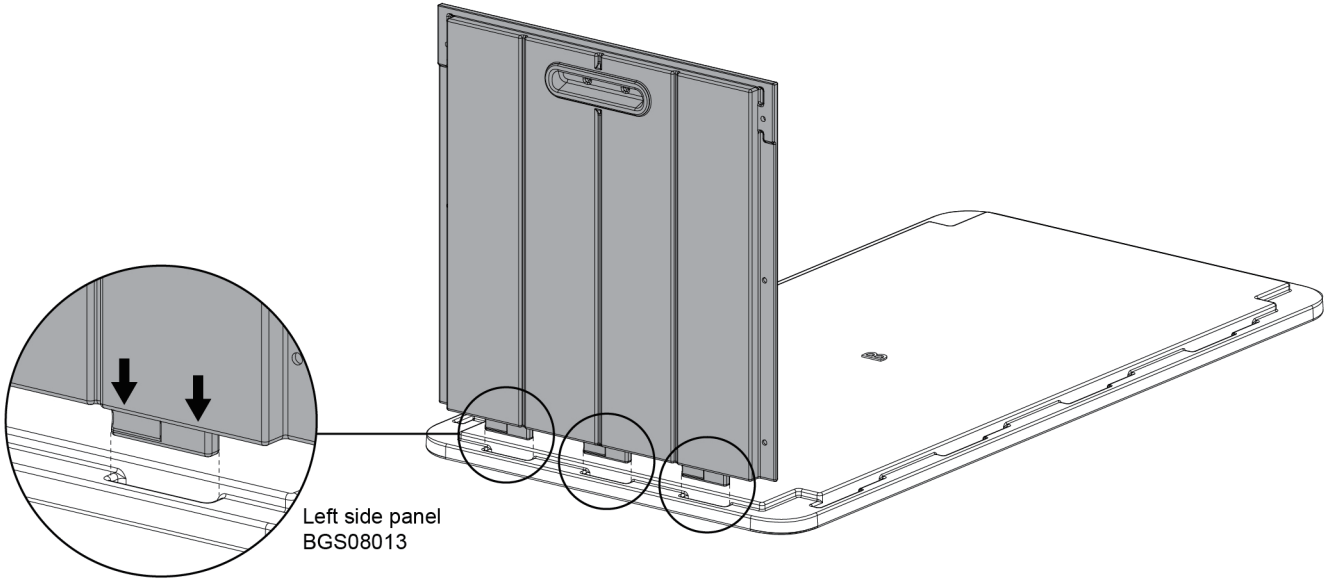


Large flat head
cross screw
Y202338
M5.5x19x8pcs

1 Left side panel
to install



Left side panel
BGS08013

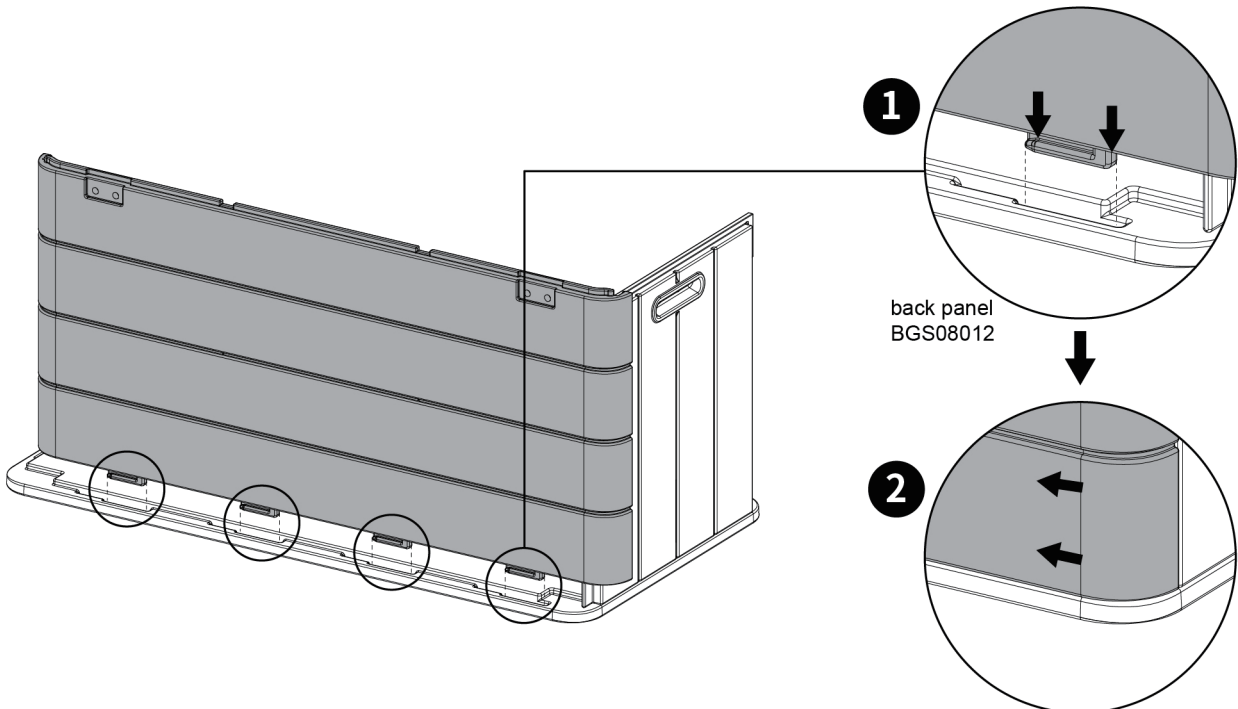


Left side panel
BGS08013

2 back panel
to install



back panel
BGS08012

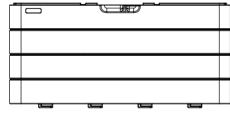


1

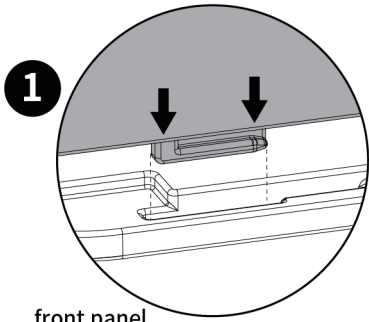
back panel
BGS08012

2

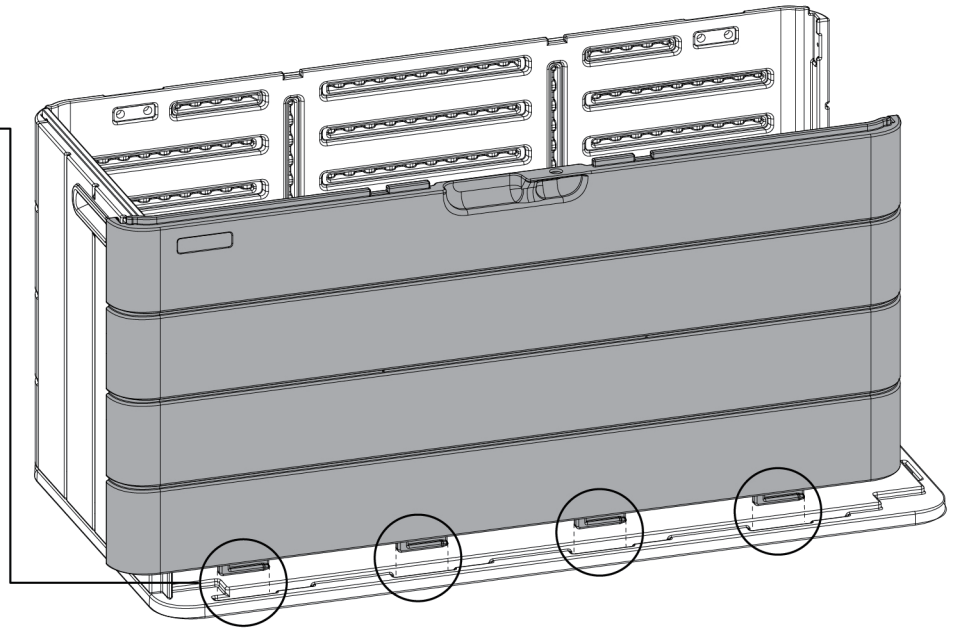
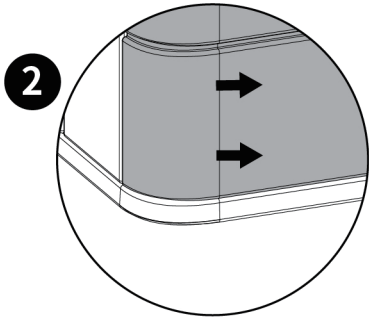
3 front panel
to install



front panel
BGS08021



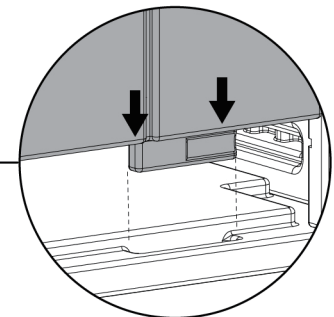
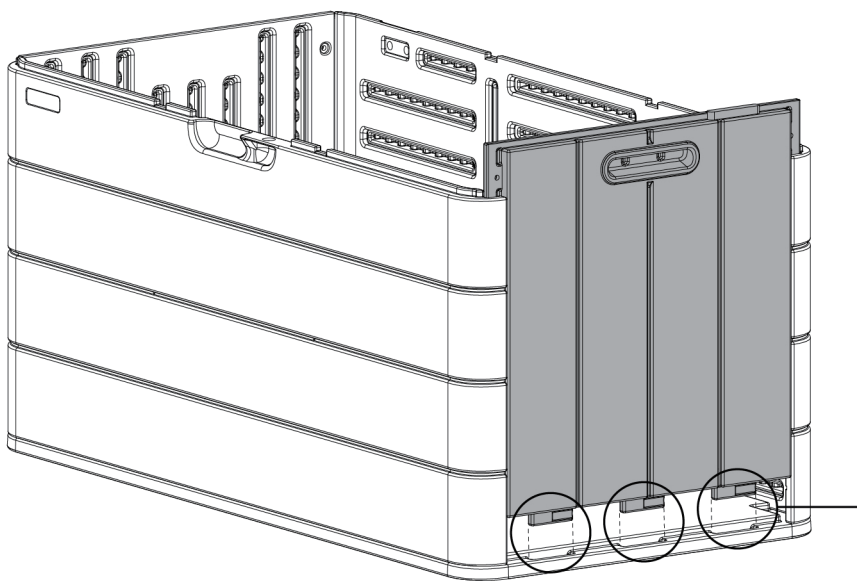
front panel
BGS08021



4 Right side panel
to install



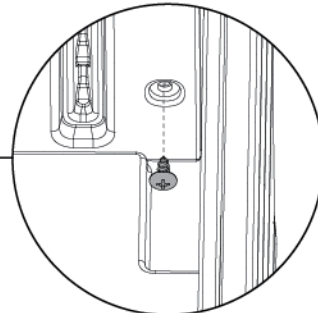
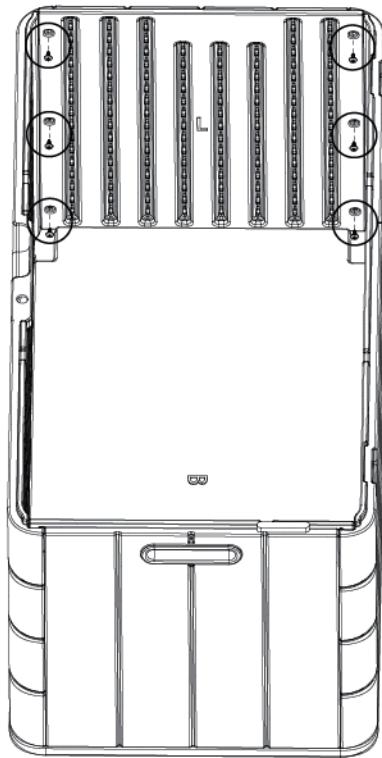
Right side panel
BGS08014



Right side panel
BGS08014

5 side panel to install

Large flat head cross screw Y3167 (M6X16)x12pcs



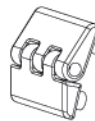
Large flat head cross screw Y3167 (M6X16)x12pcs

note: right and left panel same installation method.

6 Roof accessories to install



Roof GS0201008



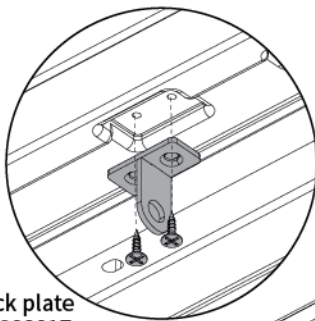
Hinge assembly (GS0201014) x2pcs



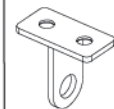
Strengthen the block (GS0201028) x2pcs



Large flat head cross screw Y202338 (M5.5x19)x4pcs



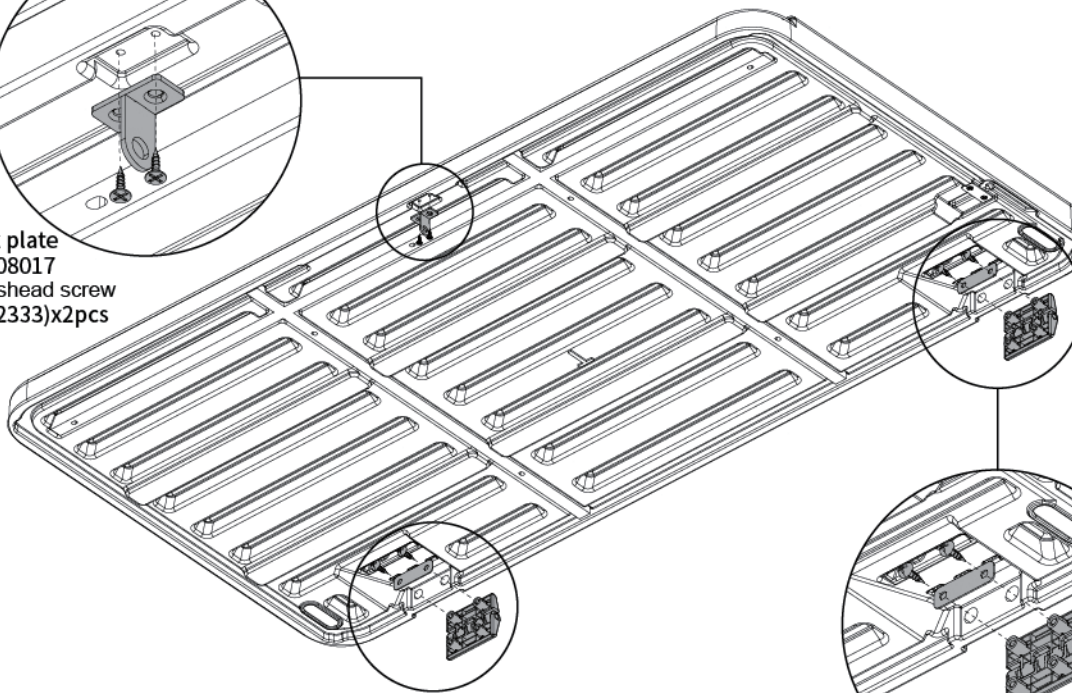
Lock plate BGS08017 Crosshead screw (Y202333)x2pcs



Lock plate BGS08017



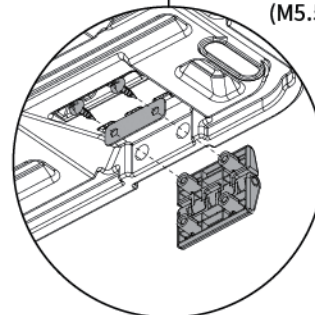
Crosshead screw (Y202333)x2pcs



Hinge assembly (GS0201014) x2pcs

Strengthen the block (GS0201028) x2pcs

Large flat head cross screw Y202338 (M5.5x19)x4pcs

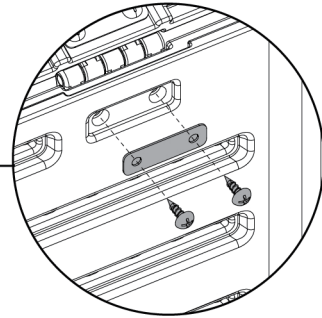
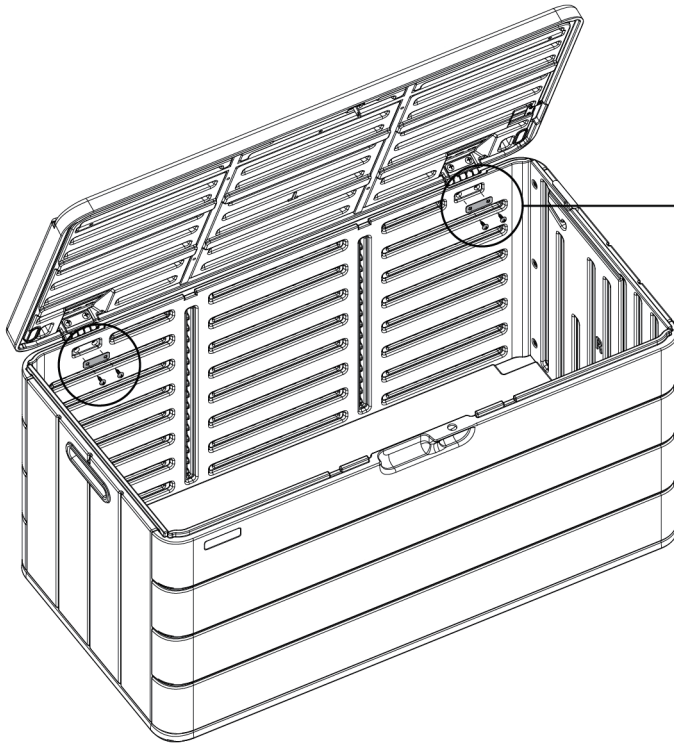


7 Roof to install

Strengthen the block (GS0201028) x2pcs



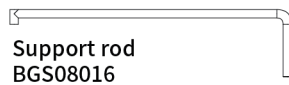
Large flat head cross screw Y202338 (M5.5x19)x4pcs



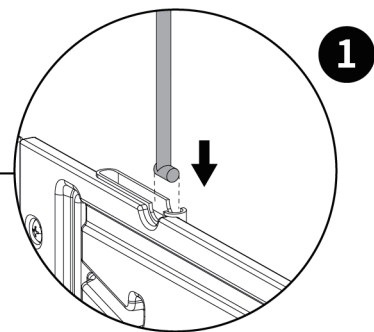
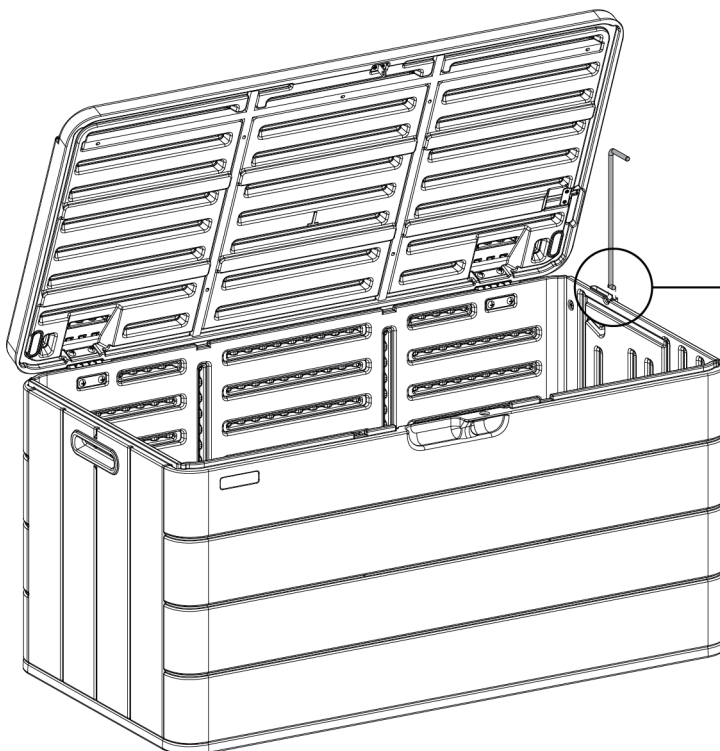
Strengthen the block (GS0201028) x2pcs

Large flat head cross screw Y202338 (M5.5x19)x4pcs

8 Support rod to install

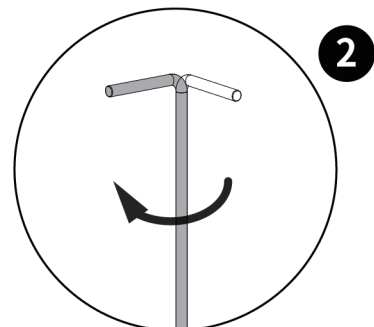


Support rod BGS08016



1

Support rod BGS08016



2

clockwise rotation support pole

9

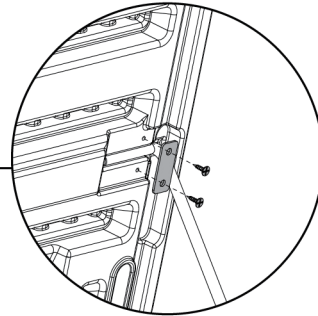
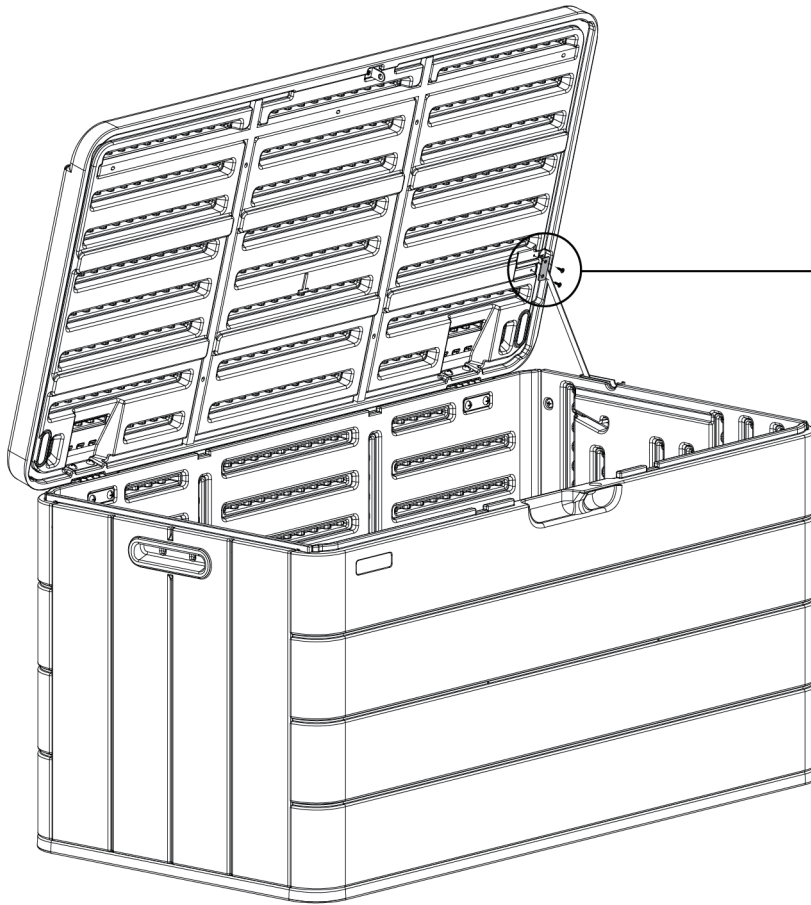
**Support rod
to install**




Support rod
fixing piece
GS0201021



Crosshead screw
(Y202333)x2pcs



Support rod
fixing piece
GS0201021
Crosshead screw
(Y202333)x2pcs

 Congratulations! you did it!! Awesome!!!