















CARE AND MAINTENANCE

Wipe clean with a soft, dry cloth. Test the cleaning method on a hidden area before using them over the entire area.

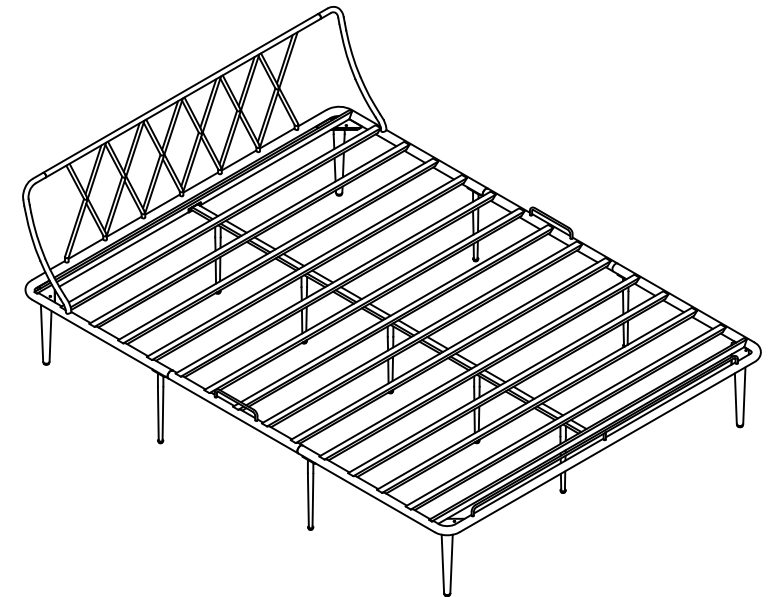
NOTICE

- * Please make sure that you have all parts indicated before you begin assembly of this item.
- * This item should be assembled on a soft surface to prevent scratching the finished product during assembly.
- * This item may require periodic tightening.
- * Do not tighten bolts until completely assembled.

Part List and Hardware List

PIECE	DESCRIPTION	PICTURE	QUANTITY
A	Headboard		1x
B	L/Frame of Headboard		1x
C	R/Frame of Headboard		1x
D	Forepart of Bed fame		1x
E	Midpiece of Bed fame		1x
F	Rearward of Bed fame		1x
G	Center connecting rod		2x
H	Leg		4x
I	Side support leg		4x
J	Center support leg		5x
H1	Allen bolt	 1/4"*5/8"	45x
H2	Spring washer	 1/4"	16x
H3	Flat washer	 $\phi 16*1.0$	16x
H4	Allen key	 M4	1x

Product Dimensions: 78-1/2"Wx56-1/2"Dx30"H



Weight capacity : 550lbs
WARNING : DO NOT STAND ON THE BED

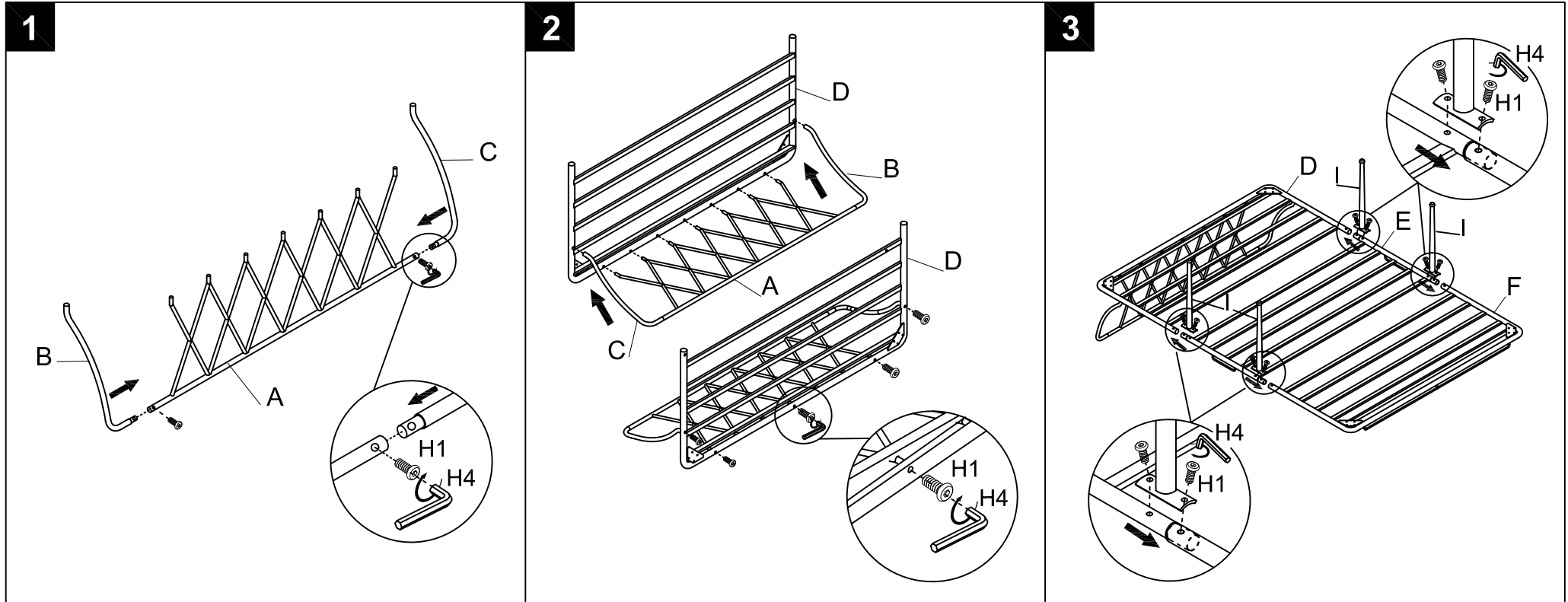
PREPARATION

Before beginning assembly of product, make sure all parts are present. Compare parts with package contents list and hardware contents list.

If any part is missing or damaged, do not attempt to assemble the product.

Estimated Assembly Time: 30 minutes.

Tools Required for Assembly (included): Allen Key



Step 1

Insert the both L/R frame of Headboard (B/C) to Headboard (A) and aligning, Use Allen Key (H4) to lock through holes on headboard with 2*Allen bolts (H1).

Step 2

Insert the assembled Headboard (as step 1) to the forepart of bed frame (D) and make sure tubes of Headboard are all inserted to the forepart of bed frame, Use Allen Key (H3) to lock 5*Allen bolts (H1) from the underneath of forepart of bed frame(D), as picture.

Step 3

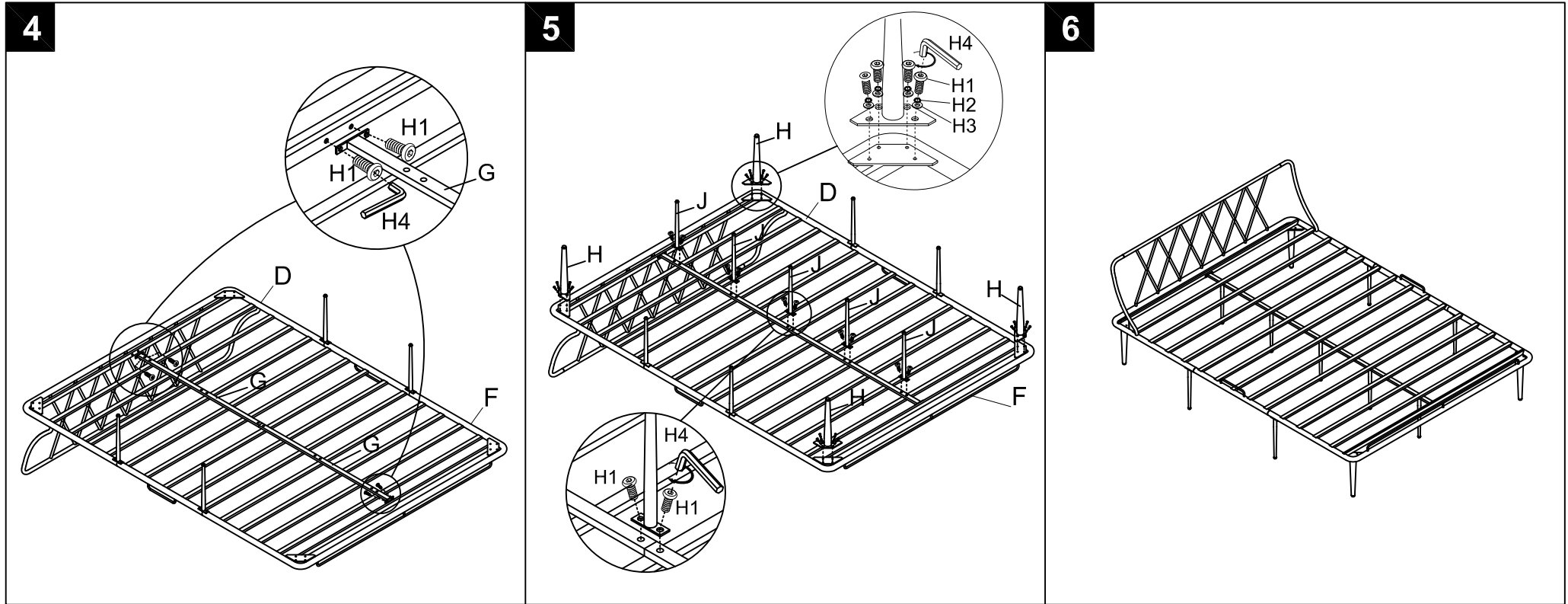
Insert the midpiece of bed frame (E) to the forepart of bed frame (D) of the semi-assembled bed frame (as step 2), then insert the rearward of bed frame (F) to the midpiece of bed frame (E), And attach 4*side support legs (I) in the corresponding position and aligning, Use Allen Key (H3) to lock 8*Allen bolts (H1) from the underneath of bed frame(D), as picture.

PREPARATION

Before beginning assembly of product, make sure all parts are present. Compare parts with package contents list and hardware contents list. If any part is missing or damaged, do not attempt to assemble the product.

Estimated Assembly Time: 30 minutes.

Tools Required for Assembly (included): Allen Key



Step 4

Place 2*center connecting rods (G) in the front and rear respectively on underneath of assembled bed frame in the corresponding position and aligning, Use Allen Key (H3) to lock 4*Allen bolts (H1) with both ends bed frame(D&F), as picture.

Step 5

Attach 5*center support legs (J) to the center connecting rods (G), Use Allen Key (H3) to lock 10*Allen bolts (H1). Then attach 4*legs (H) to the angle iron pieces of 4 corners of bed frame, Use Allen Key (H4) to lock flat washer (H3) & spring washer (H2) with Allen bolts (H1), as picture.

Step 6

Straighten up the assembled metal bed frame, Assembly is completed.