

ASSEMBLY INSTRUCTION

Thank you for purchasing this quality product. Be sure to check all packing material carefully for small parts which may have come loose inside the carton during shipment. Separate, identify and count all parts and hardware. Compare with the parts list to be sure all parts are present.

IMPORTANT : PLEASE READ INSTRUCTION BEFORE STARTING THE ASSEMBLY.

"DO NOT TIGHTEN SCREWS UNTIL COMPLETELY ASSEMBLED"

"DO NOT OVERTIGHT ANY HARDWARE"

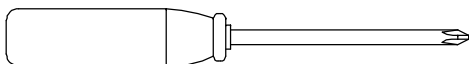
WARNING : SMALL PARTS AND HARDWARE NOT FOR CHILDREN UNDER 3 YEARS. ADULT ASSEMBLY REQUIRED.

TABLE OF CONTENTS

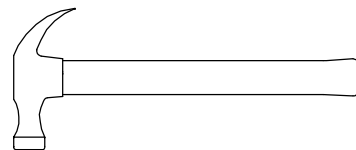
HARDWARES LIST	PAGE 2 - 3
PARTS LIST	PAGE 3 - 5
PARTS' LOCATION	PAGE 6
ASSEMBLY STEPS	PAGE 7 - 23
ASSEMBLY COMPLETED	PAGE 23
ANTI-TIPPING INSTALLMENT INSTRUCTIONS	PAGE 24
PAY ATTENTION ITEMS	PAGE 25

ASSEMBLY TOOLS REQUIRED

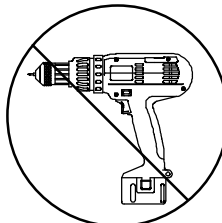
1. Screwdriver (not provide)



2. Hammer (not provide)





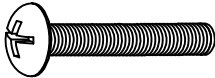
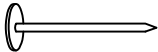




Skip the power trip this time.




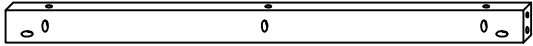
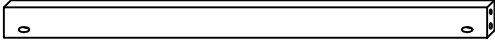
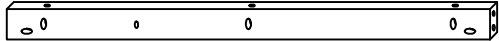
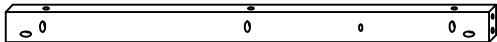
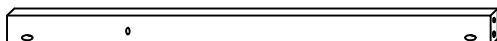
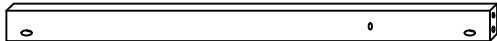

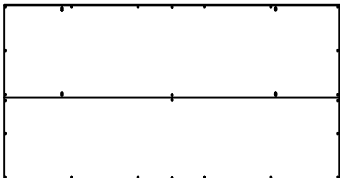
ASSEMBLY INSTRUCTION

HARDWARES LIST

ITEM	DESCRIPTION	DRAWING	QTY
A	MINIFIX CAM LOCK		64 PCS
B	MINIFIX CAM BOLT		64 PCS
C	WOOD DOWEL (M8 x 25MM)		34 PCS
D	WOOD DOWEL (M6 x 25MM)		72 PCS
E	TRUSS M-SCREW (20MM)		12 PCS
F	6/8" NAIL		24 PCS
G	HANDLE		6 PCS
H	CSK C/B SCREW (M4 x 25MM)		12 PCS

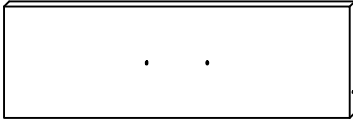
ASSEMBLY INSTRUCTION

PARTS LIST (BOX 1)

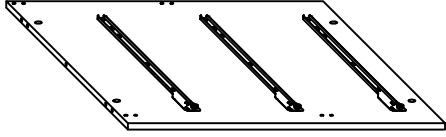
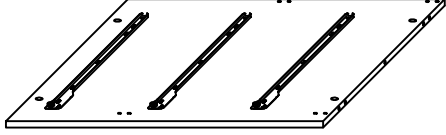
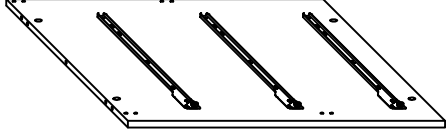


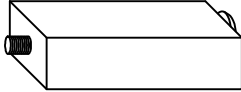
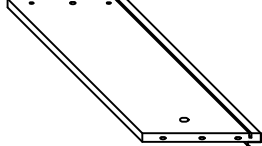
ITEM	DESCRIPTION	DRAWING	QTY
D1	TOP PANEL		1 PC
D5	FRONT TOP SUPPORT RAIL		2 PCS
D6	FRONT CENTRE SUPPORT RAIL		2 PCS
D7	BACK TOP SUPPORT RAIL (L)		1 PC
D8	BACK TOP SUPPORT RAIL (R)		1 PC
D9	BACK CENTRE SUPPORT RAIL (L)		1 PC
D10	BACK CENTRE SUPPORT RAIL (R)		1 PC
D11	BOTTOM PANEL		1 PC
D12	BACK PANEL		1 PC

ASSEMBLY INSTRUCTION

PARTS LIST (BOX 1)

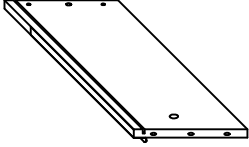
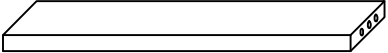

ITEM	DESCRIPTION	DRAWING	QTY
D13	DRAWER HEAD		6 PCS

PARTS LIST (BOX 2)

ITEM	DESCRIPTION	DRAWING	QTY
D2	LEFT PANEL		1 PC
D3	RIGHT PANEL		1 PC
D4	CENTRE PANEL		1 PC
D14	DRAWER BACK PANEL		6 PCS
D15	DRAWER BOTTOM PANEL		6 PCS
D24	CENTRE SUPPORT LEG		1 PC
19	DRAWER LEFT PANEL		6 PCS

ASSEMBLY INSTRUCTION

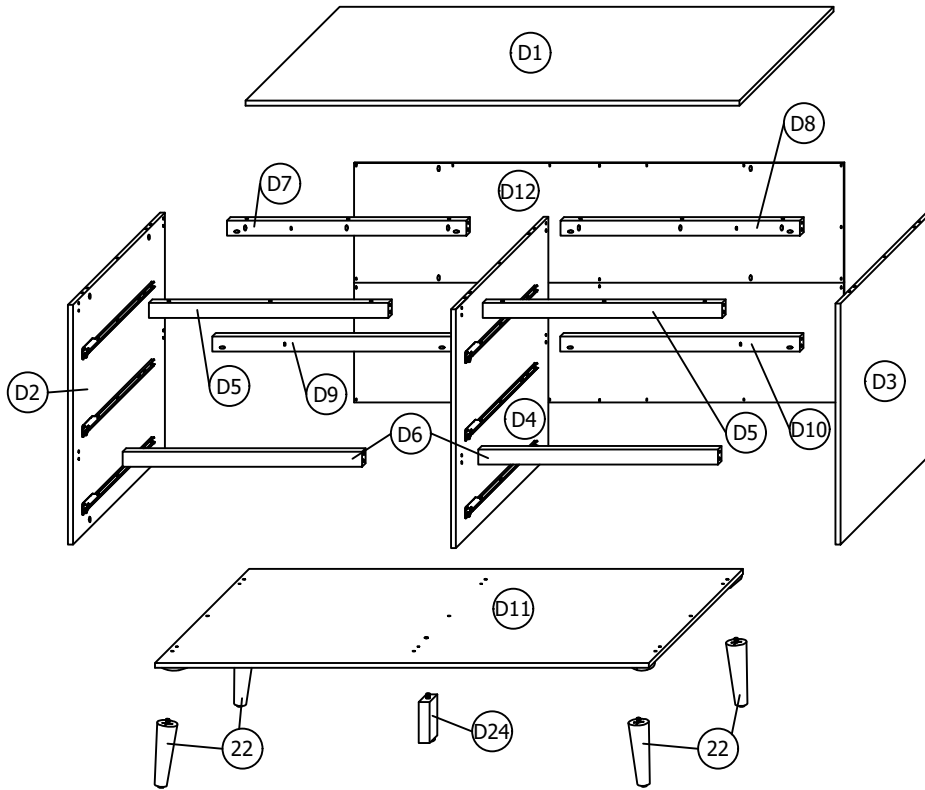
PARTS LIST (BOX 2)

ITEM	DESCRIPTION	DRAWING	QTY
20	DRAWER RIGHT PANEL		6 PCS
21	DRAWER BOTTOM SUPPORT RAIL		6 PCS
22	SUPPORT LEG		4 PCS

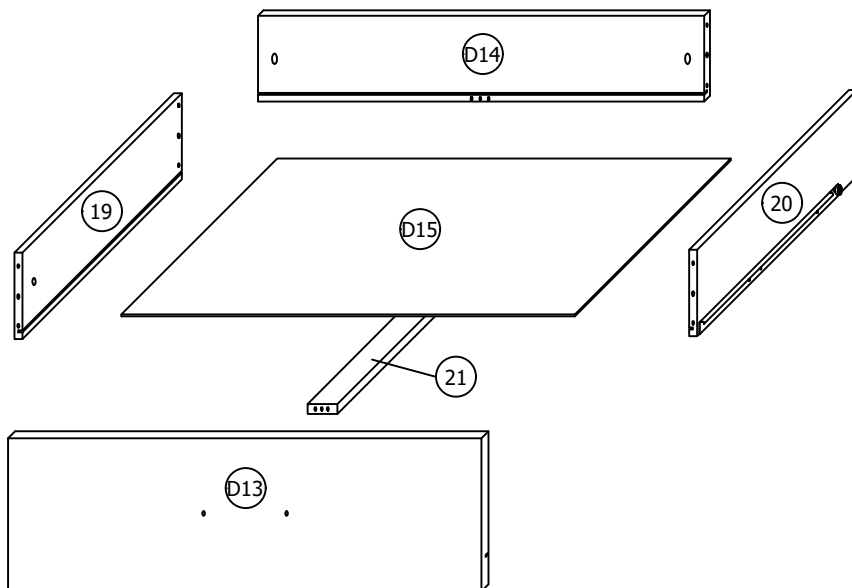
ASSEMBLY INSTRUCTION

PARTS ' LOCATION

DRESSER x 1 PC



DRAWER x 6 PCS

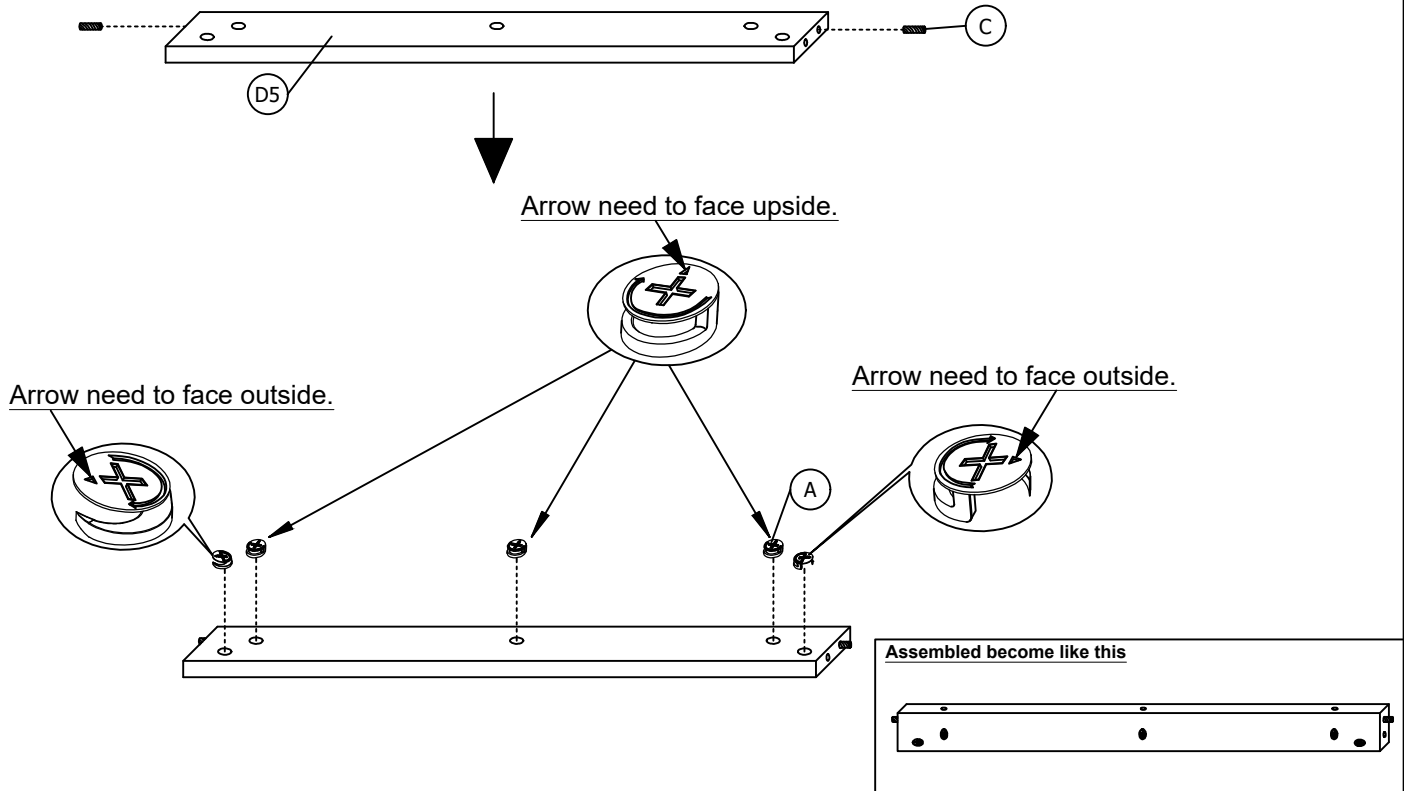


ASSEMBLY INSTRUCTION

ASSEMBLY STEPS

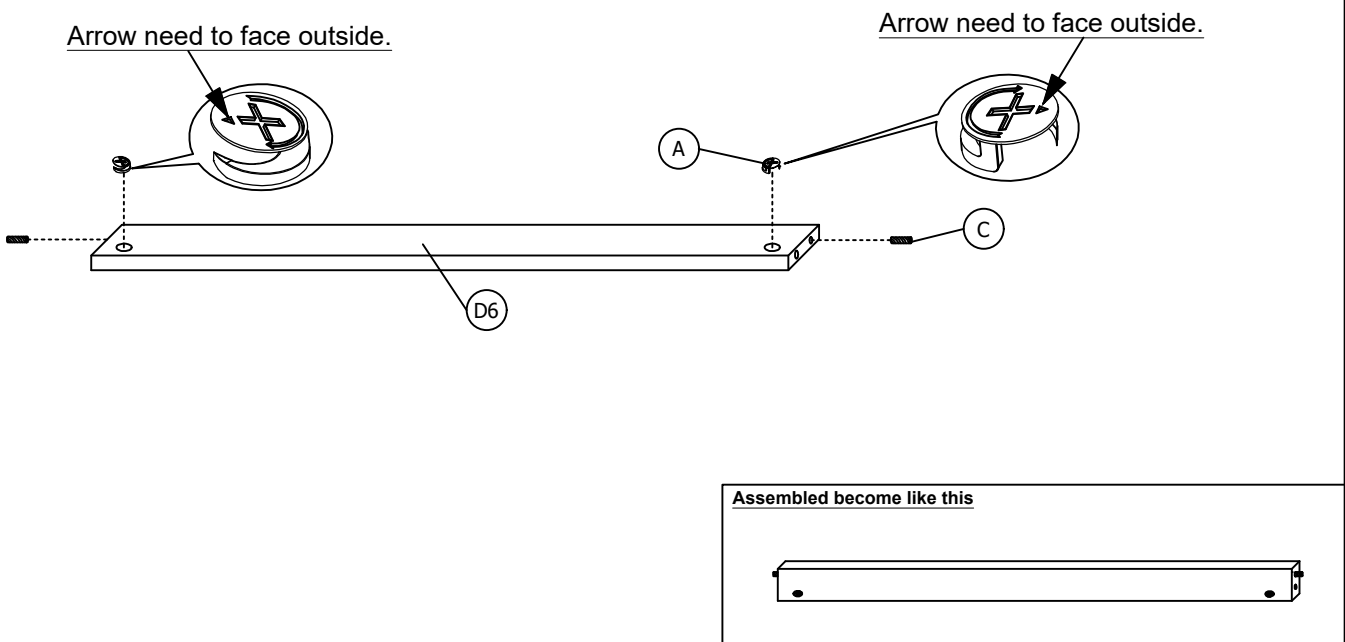
STEP 1

Insert 5 pieces (A) and 2 pieces (C) to (D5) as shown. This step needs to be **done twice**.



STEP 2

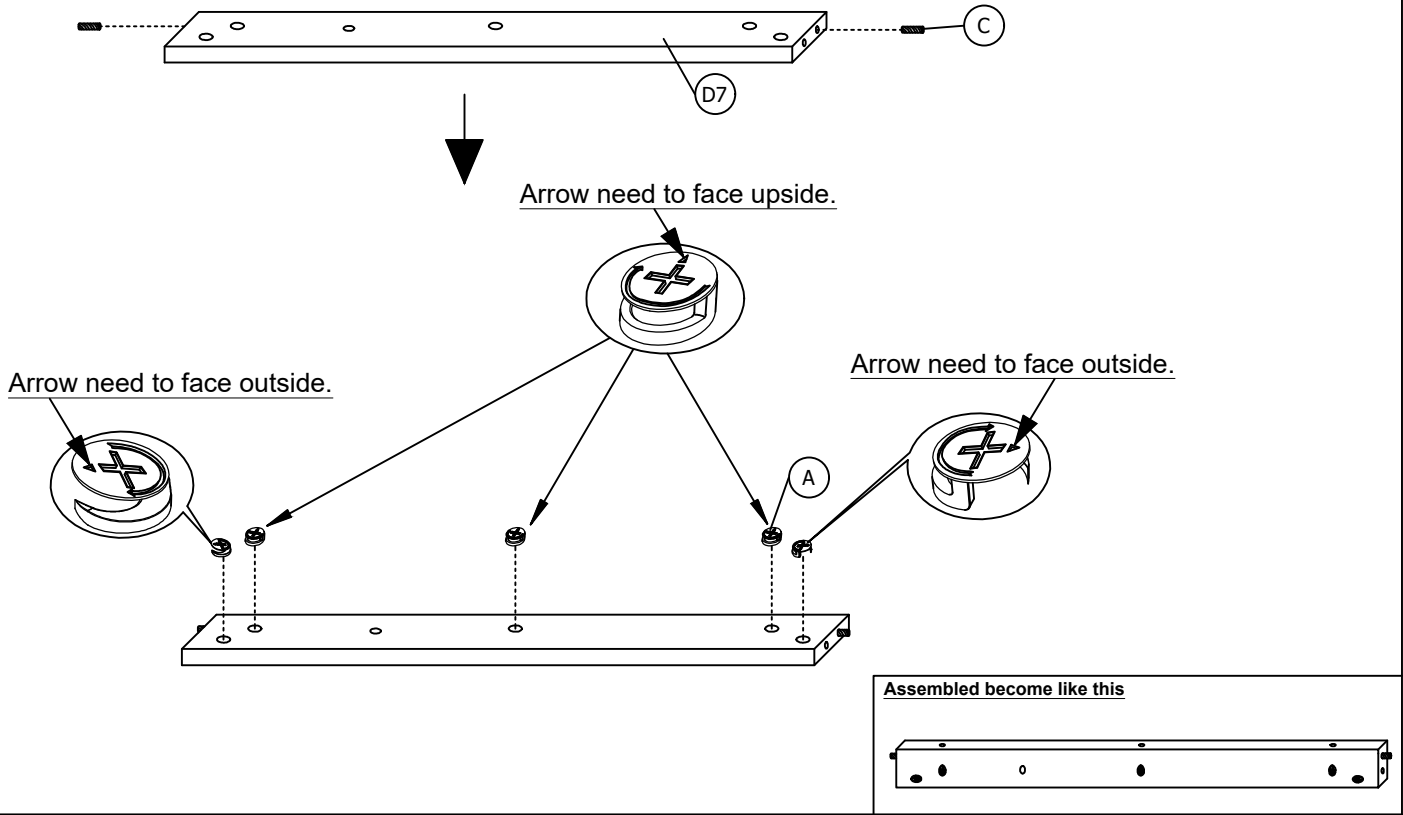
Insert 2 pieces (A) and 2 pieces (C) to (D6) as shown. This step needs to be **done twice**.



ASSEMBLY INSTRUCTION

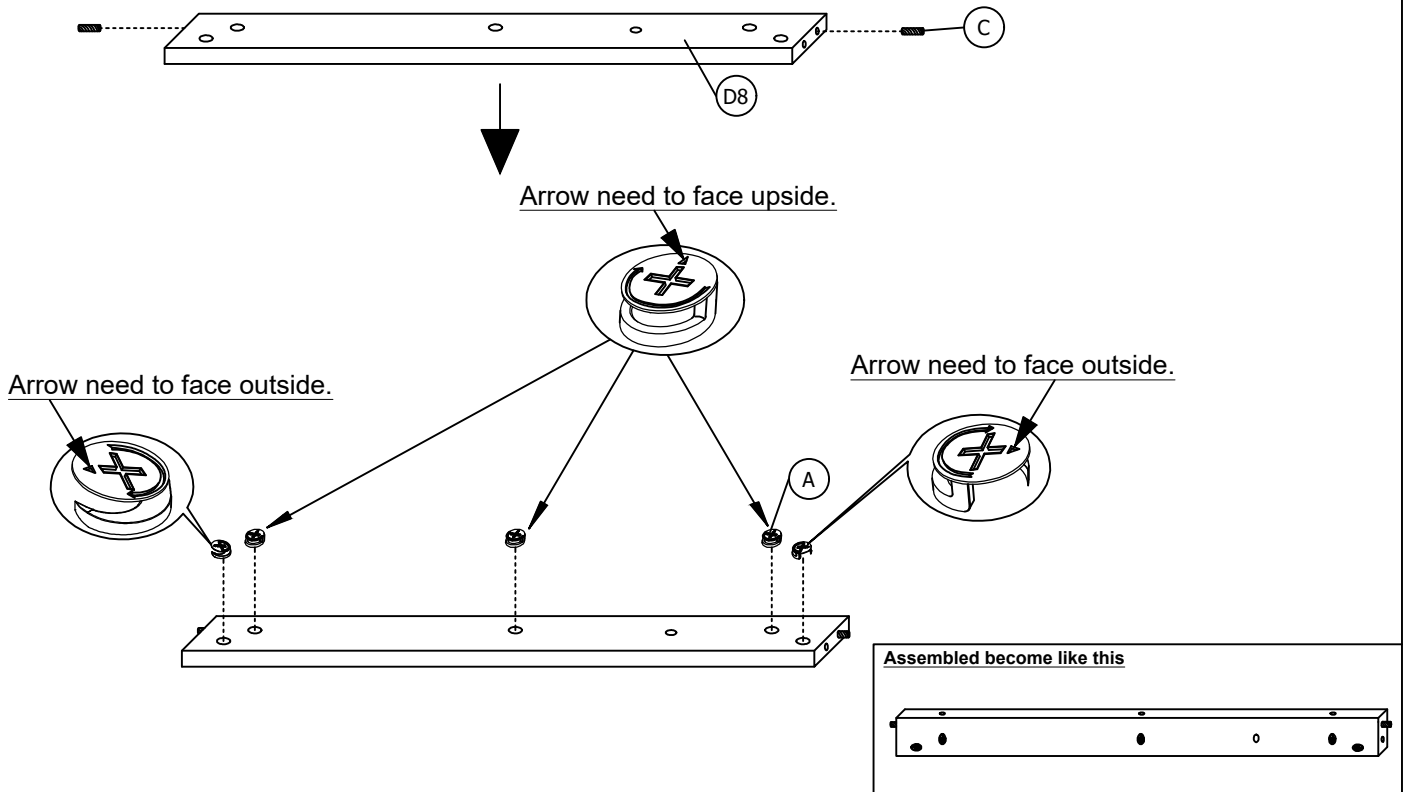
STEP 3

Insert 5 pieces (A) and 2 pieces (C) to (D7) as shown.



STEP 4

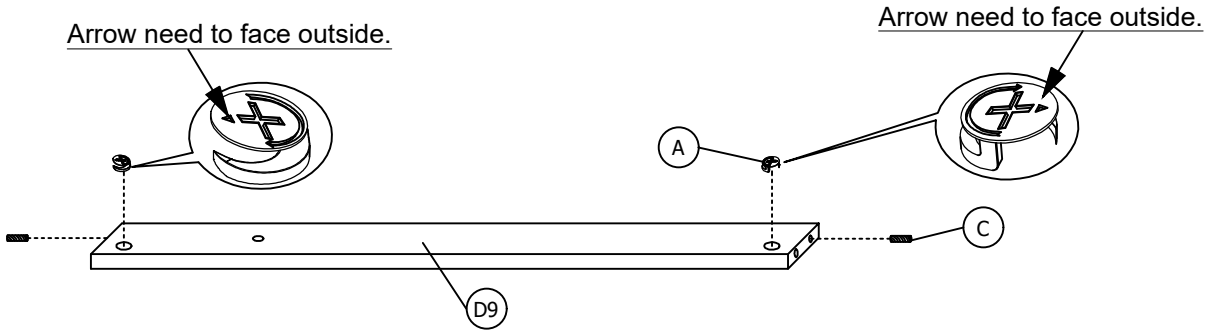
Insert 5 pieces (A) and 2 pieces (C) to (D8) as shown.



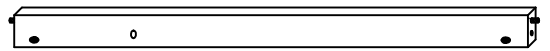
ASSEMBLY INSTRUCTION

STEP 5

Insert 2 pieces (A) and 2 pieces (C) to (D9) as shown.

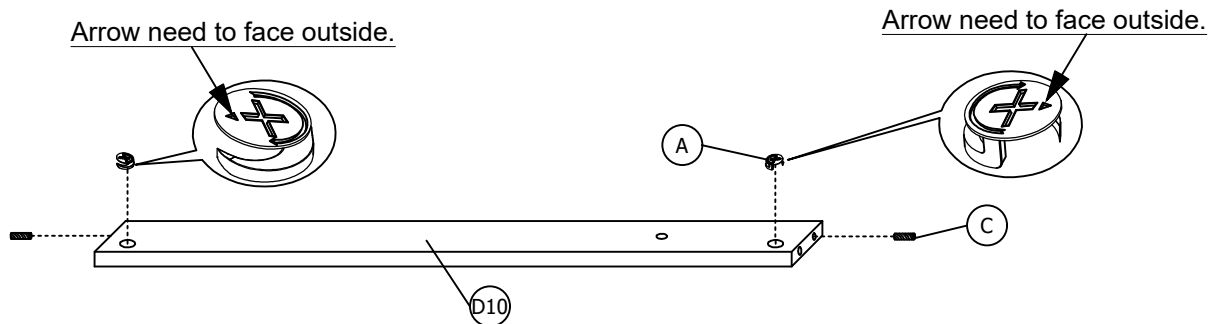


Assembled become like this



STEP 6

Insert 2 pieces (A) and 2 pieces (C) to (D10) as shown.



Assembled become like this

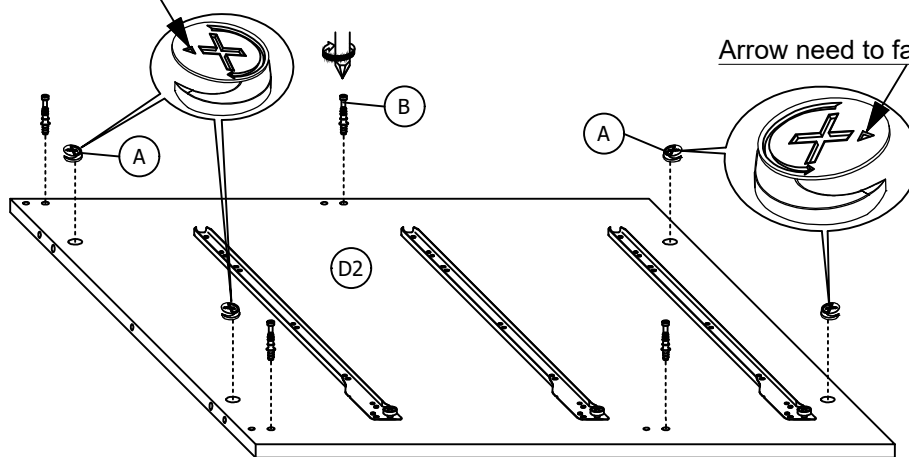


ASSEMBLY INSTRUCTION

STEP 7

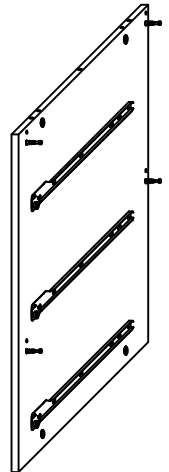
Insert 4 pieces (A) and 4 pieces (B) to the (D2) as shown.

Arrow need to face upside.



Arrow need to face down.

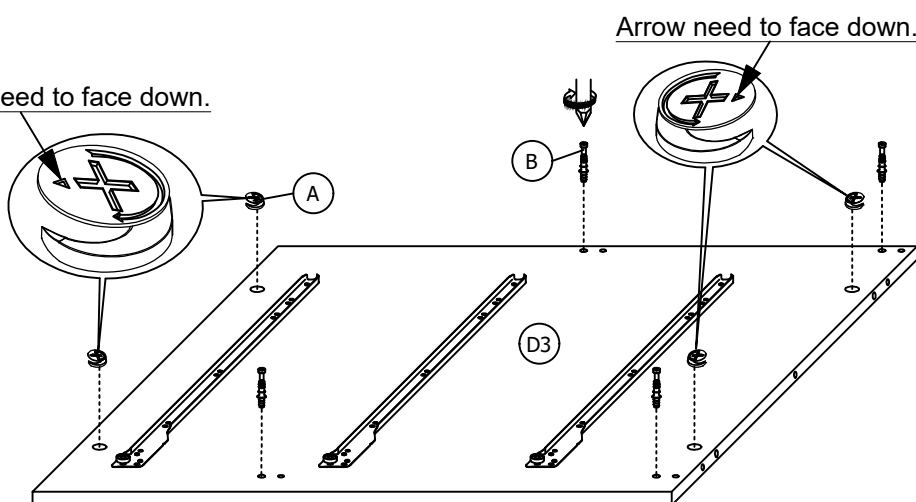
Assembled become like this



STEP 8

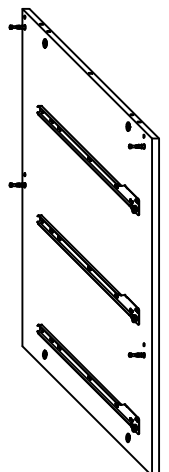
Insert 4 pieces (A) and 4 pieces (B) to the (D3) as shown.

Arrow need to face down.



Arrow need to face down.

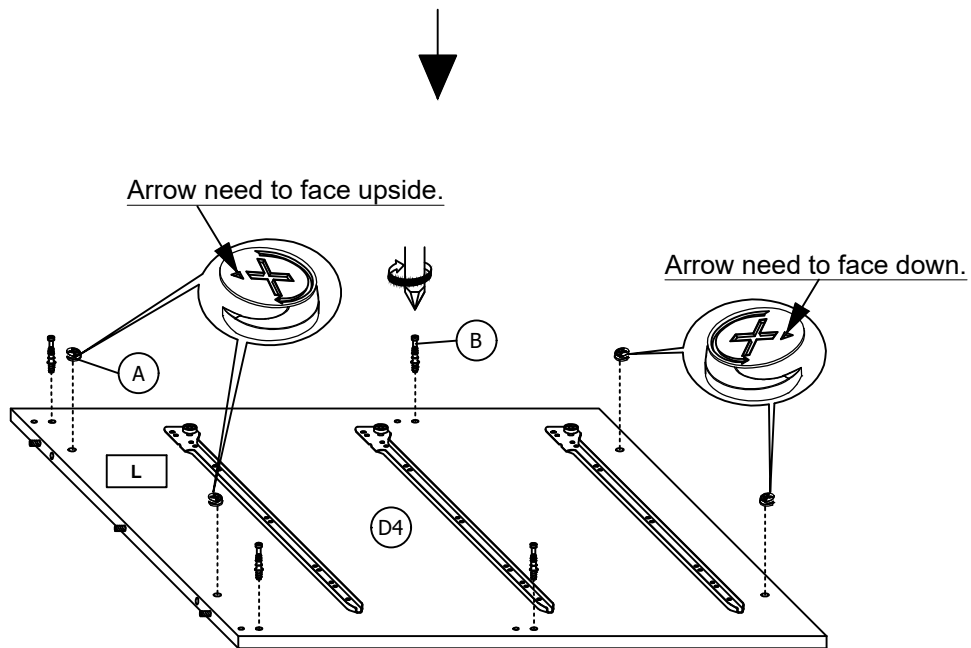
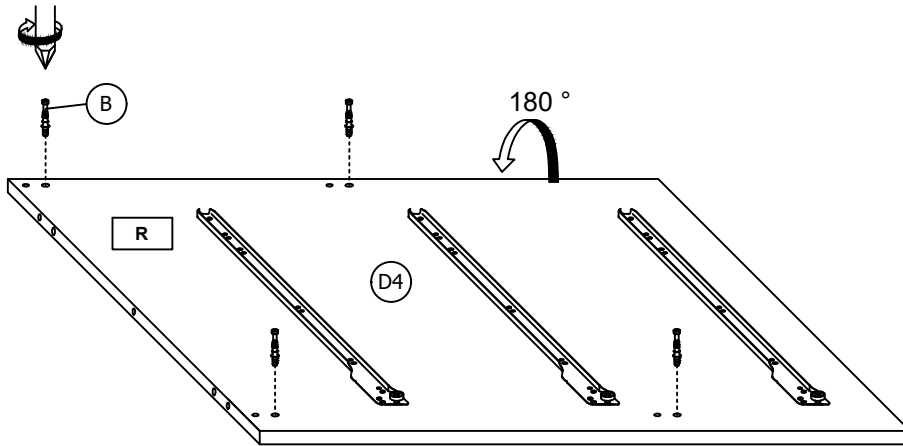
Assembled become like this



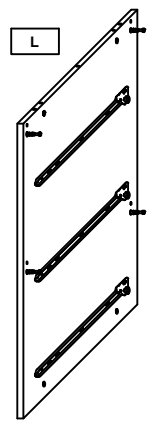
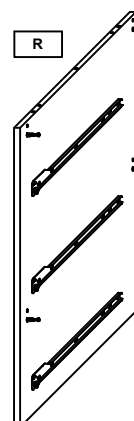
ASSEMBLY INSTRUCTION

STEP 9

Insert 4 pieces (B) at the right side of (D4) , another 4 pieces (A) and 4 pieces (B) at the left side as shown.



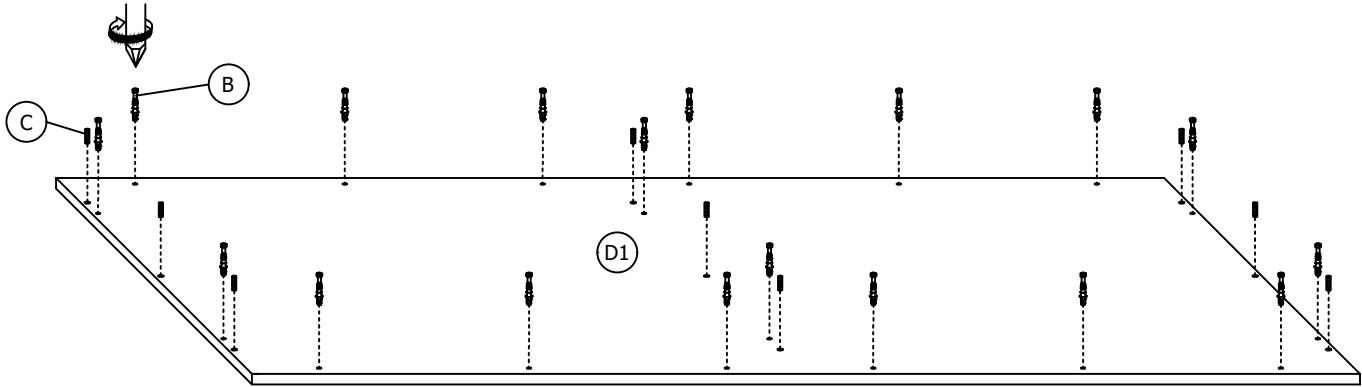
Assembled become like this



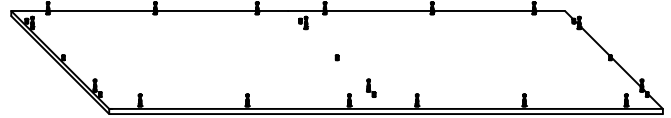
ASSEMBLY INSTRUCTION

STEP 10

Insert 18 pieces (B) and 9 pieces (C) to the (D1) as shown.

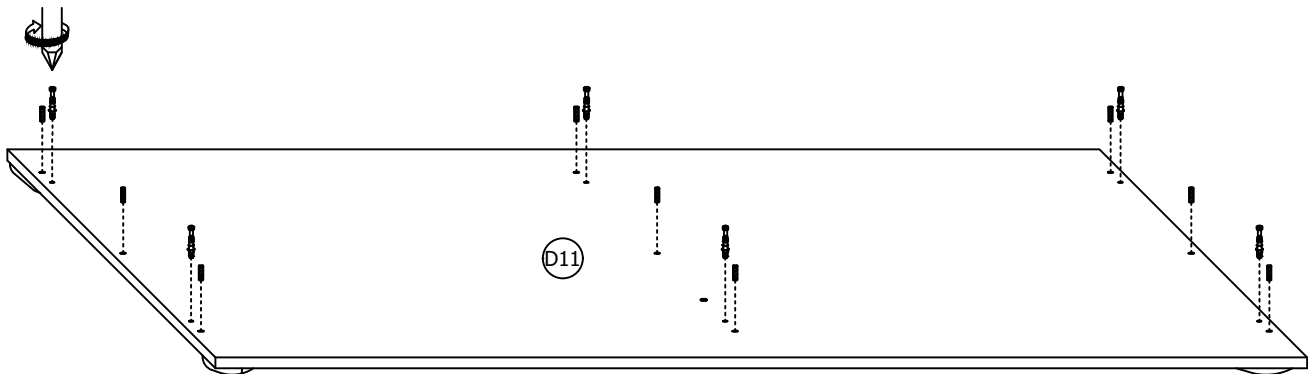


Assembled become like this

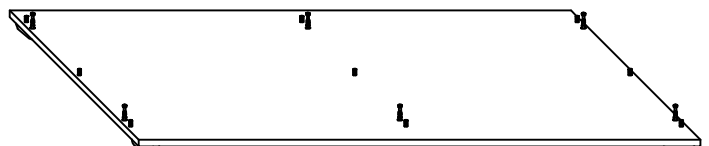


STEP 11

Insert 6 pieces (B) and 9 pieces (C) to the (D11) as shown.



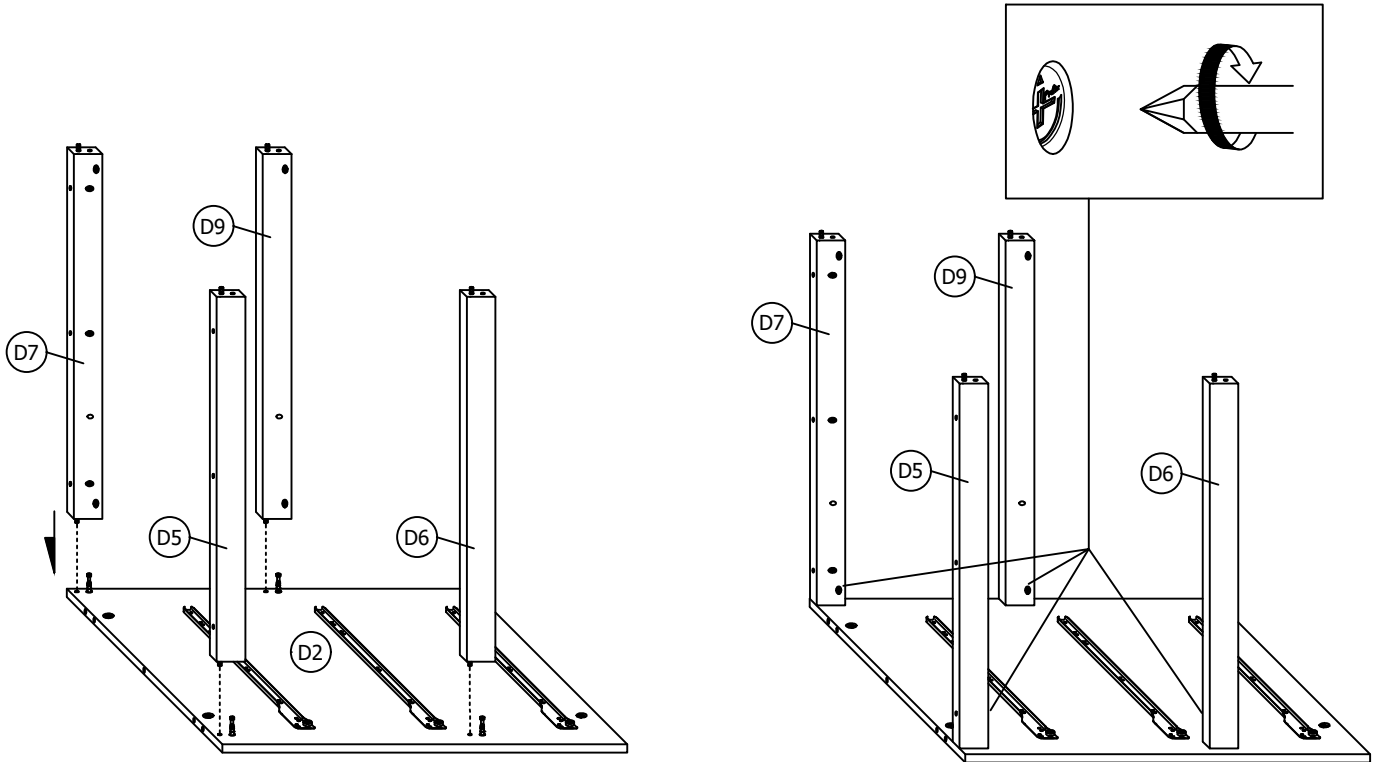
Assembled become like this



ASSEMBLY INSTRUCTION

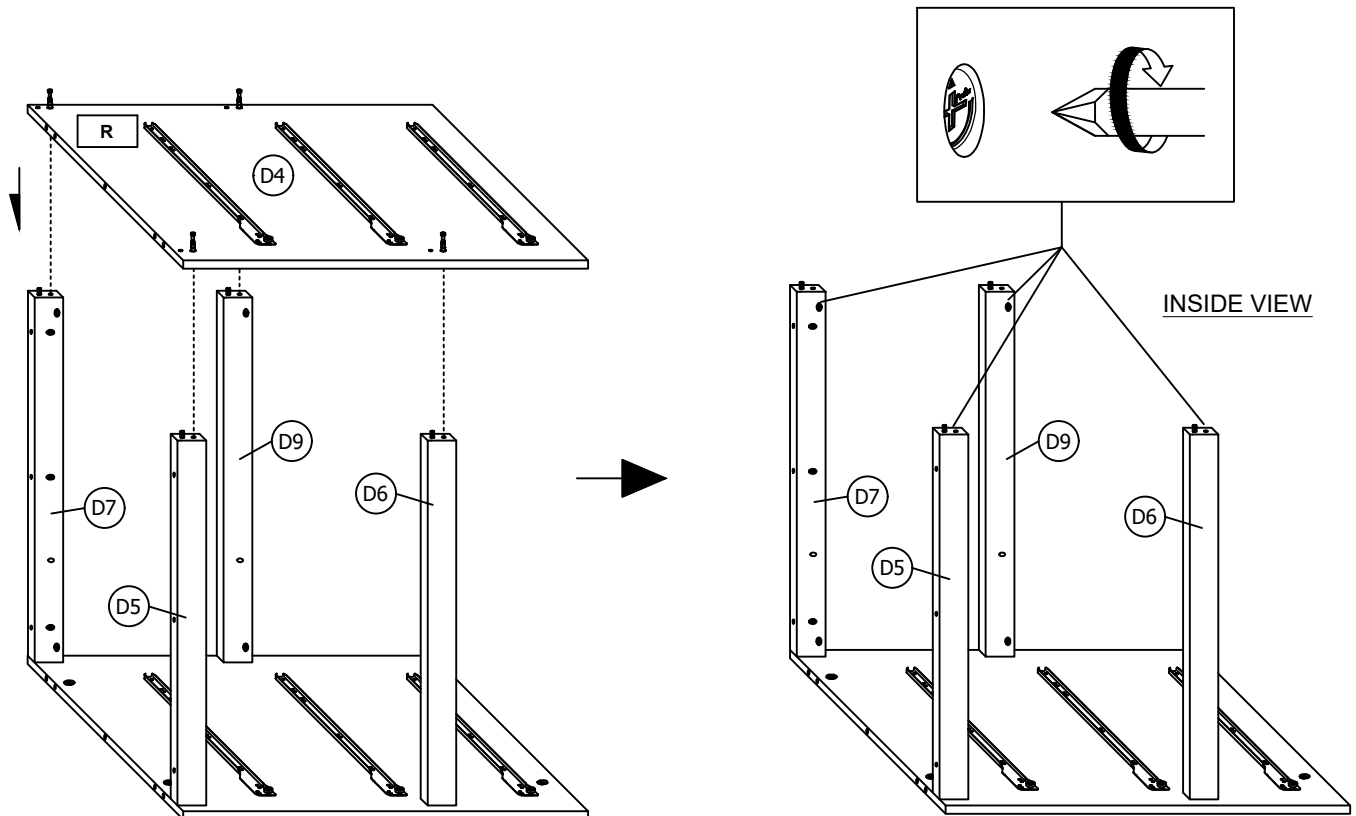
STEP 12

Combine 1 piece (D5),(D6) and the (D7),(D9) to the (D2) then tighten the 4 pieces (A)-(pre insert in step 1,2,3 and 5) as shown.



STEP 13

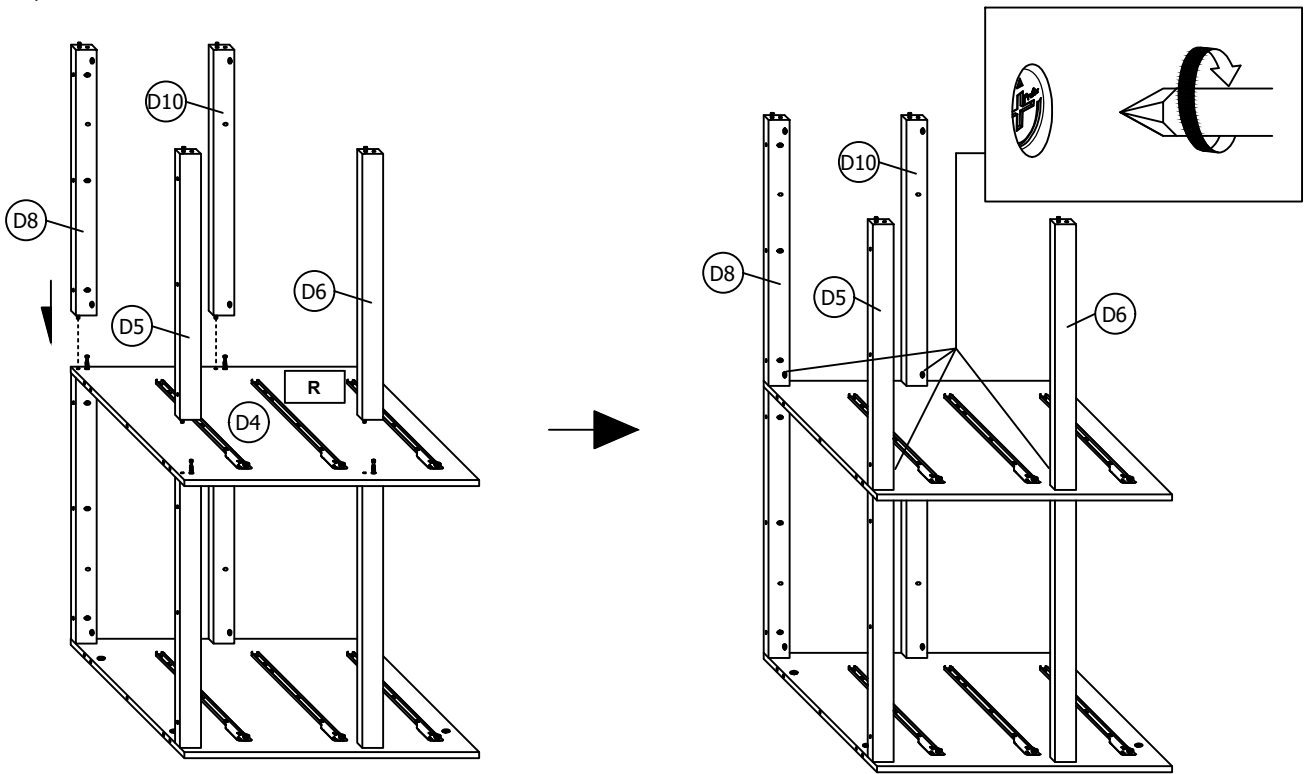
Combine the (D4) to the (D5),(D6),(D7) and (D9) then tighten the another 4 pieces (A)-(pre insert in step 1,2,3 and 5) as shown.



ASSEMBLY INSTRUCTION

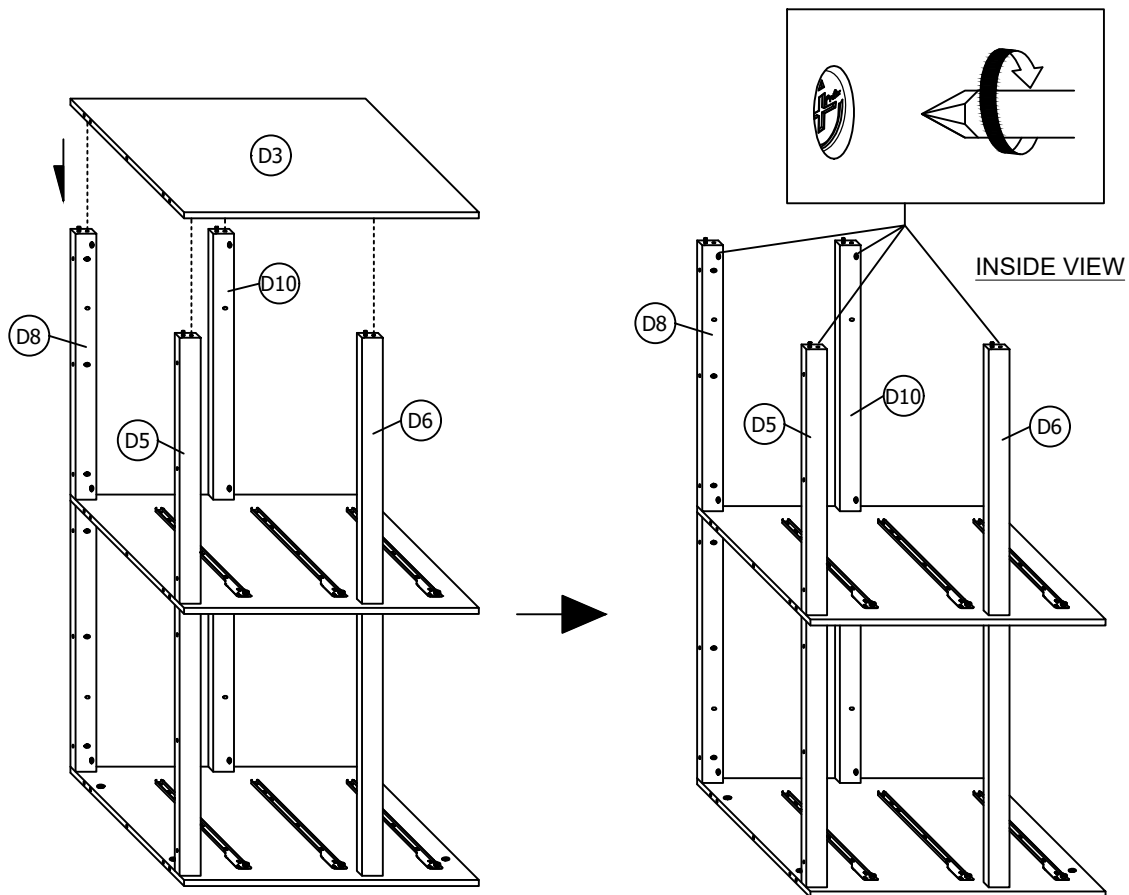
STEP 14

Combine the remaining 1 piece (D5),(D6) and the (D8),(D10) to the (D4) then tighten the 4 pieces (A)-(pre insert in step 1,2,4 and 5) as shown.



STEP 15

Combine the (D3) to the (D5),(D6),(D8) and (D10) then tighten the another 4 pieces (A)-(pre insert in step 1,2,4 and 6) as shown.

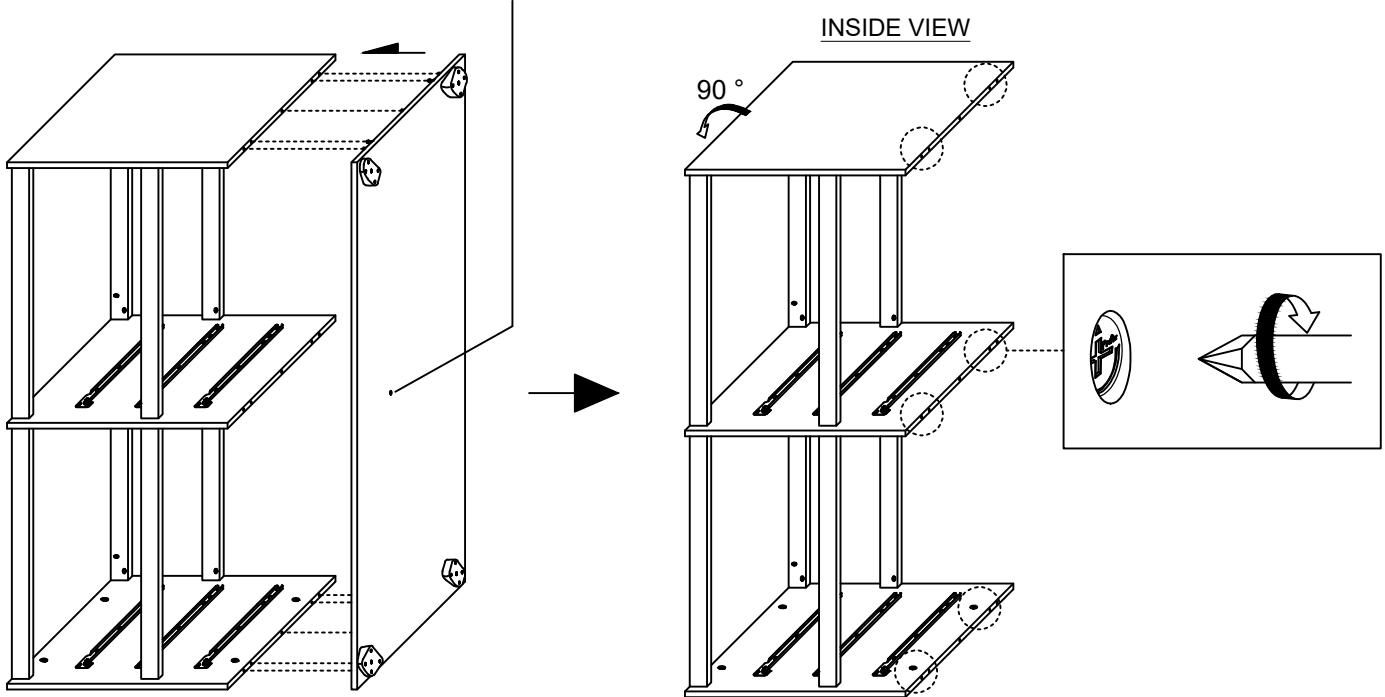


ASSEMBLY INSTRUCTION

STEP 16

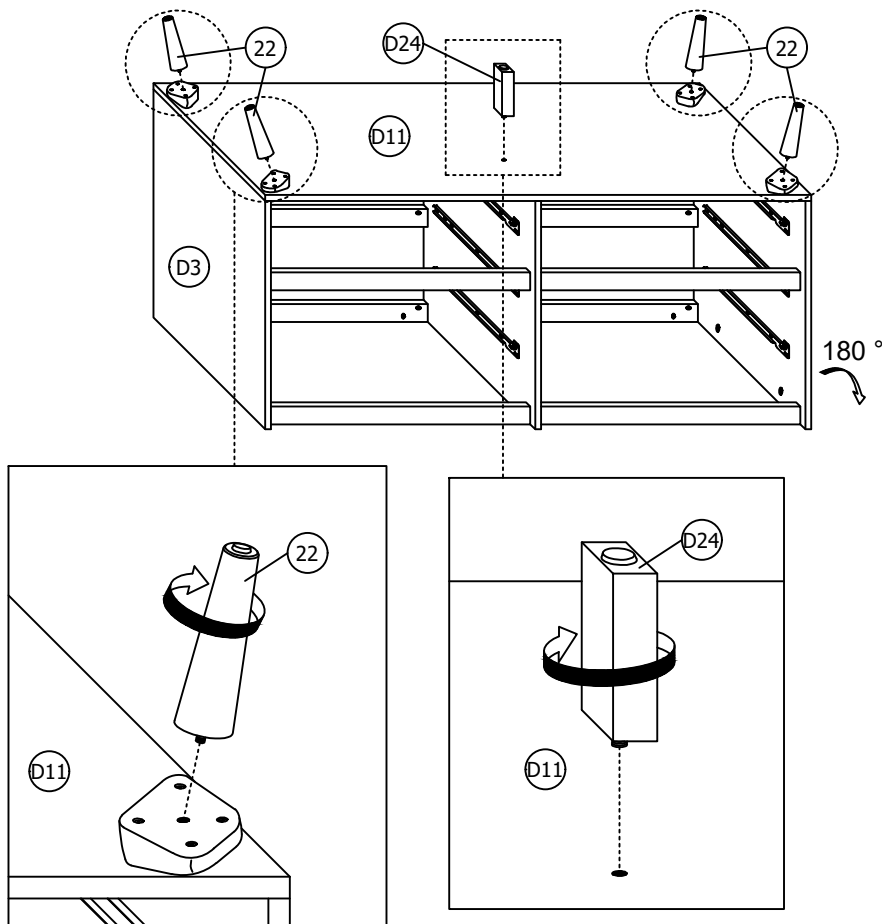
Combine the (D11) to the (D2),(D3) and (D4) then tighten the 6 pieces (A)-(pre insert in step 7,8 and 9) as shown.

The side which closer to the hole needs to face front.



STEP 17

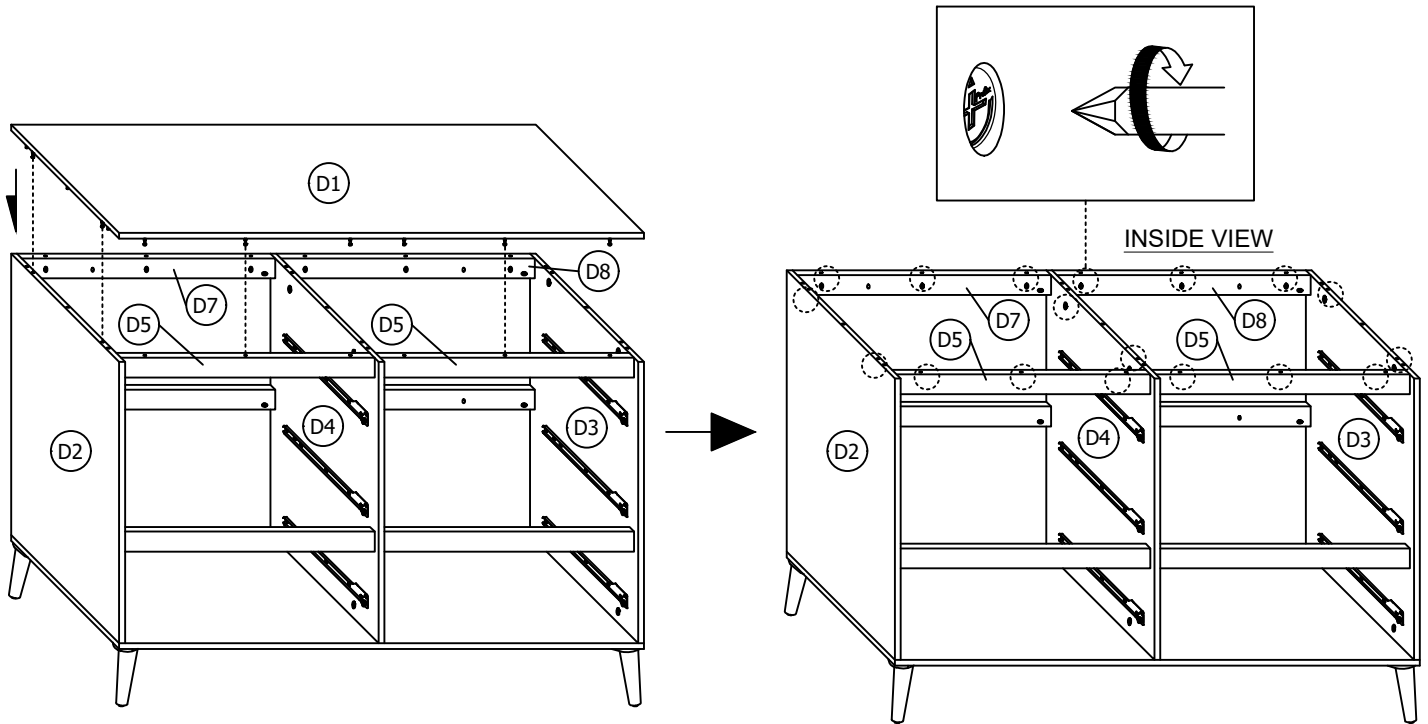
Turn (22) and (D24) clockwise to combine it to the bottom of the (D11) as shown.



ASSEMBLY INSTRUCTION

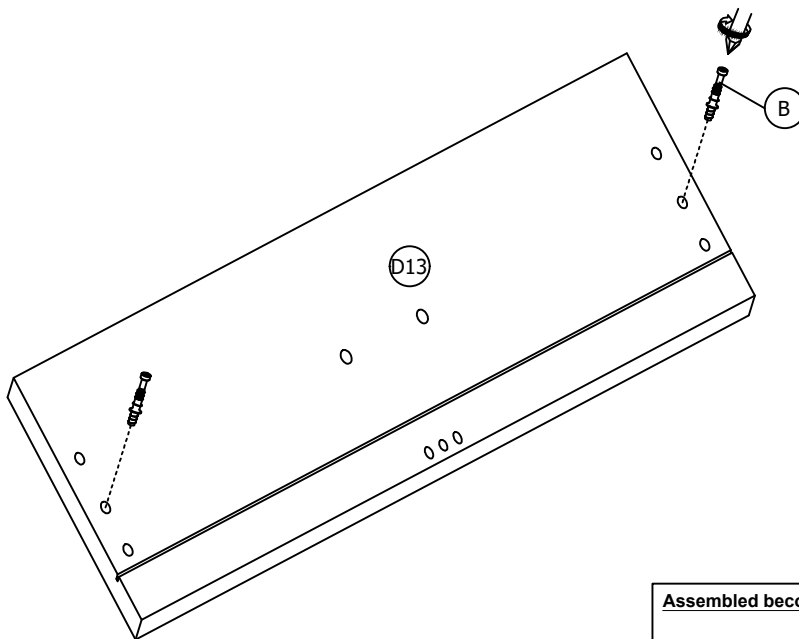
STEP 18

Combine the (D1) to the frame then tighten the remaining 18 pieces (A)-(pre insert in step 1,3,4,7,8 and 9) as shown.

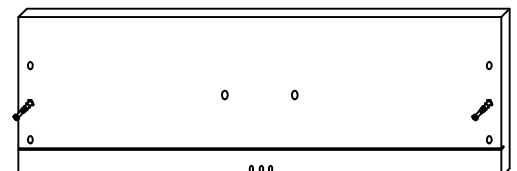


STEP 19

Insert 2 pieces (B) to (D13) as shown. This step needs to be **done six times**.



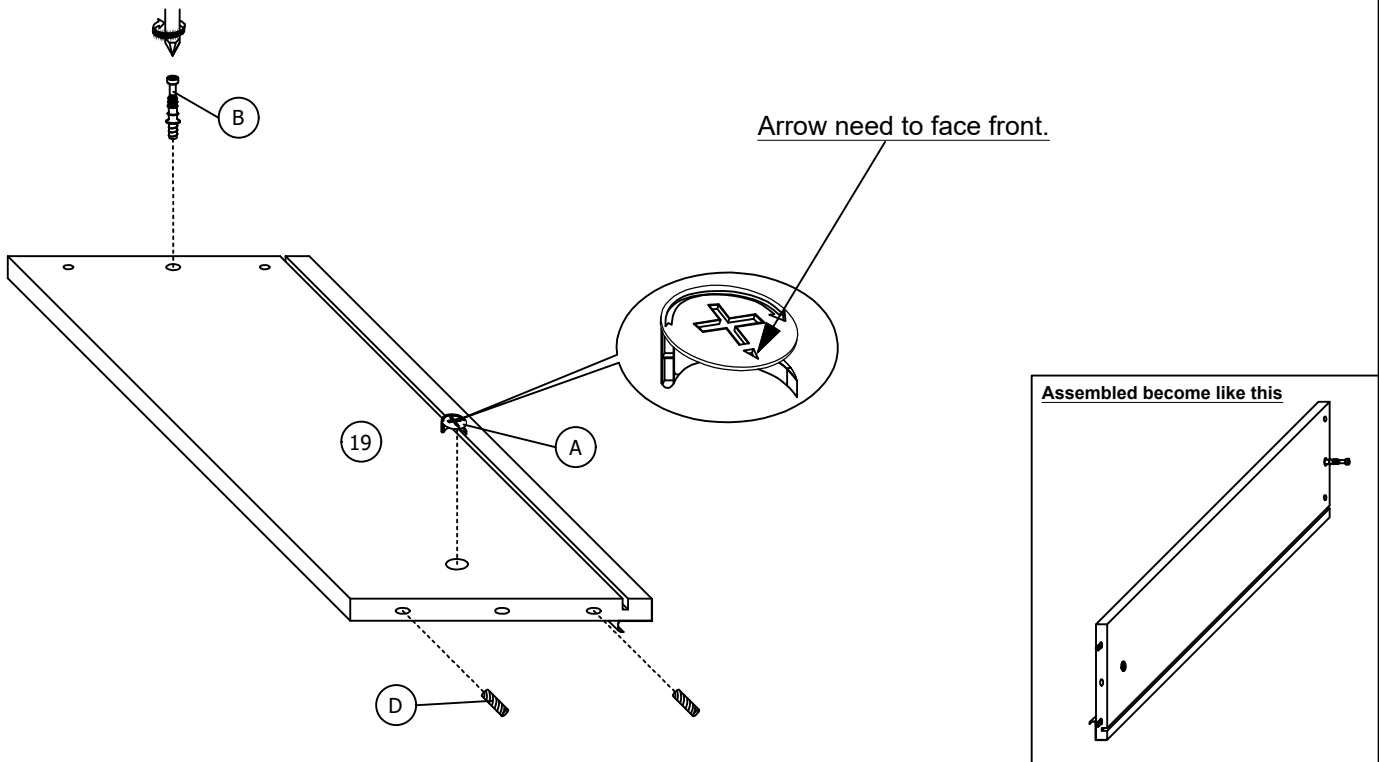
Assembled become like this



ASSEMBLY INSTRUCTION

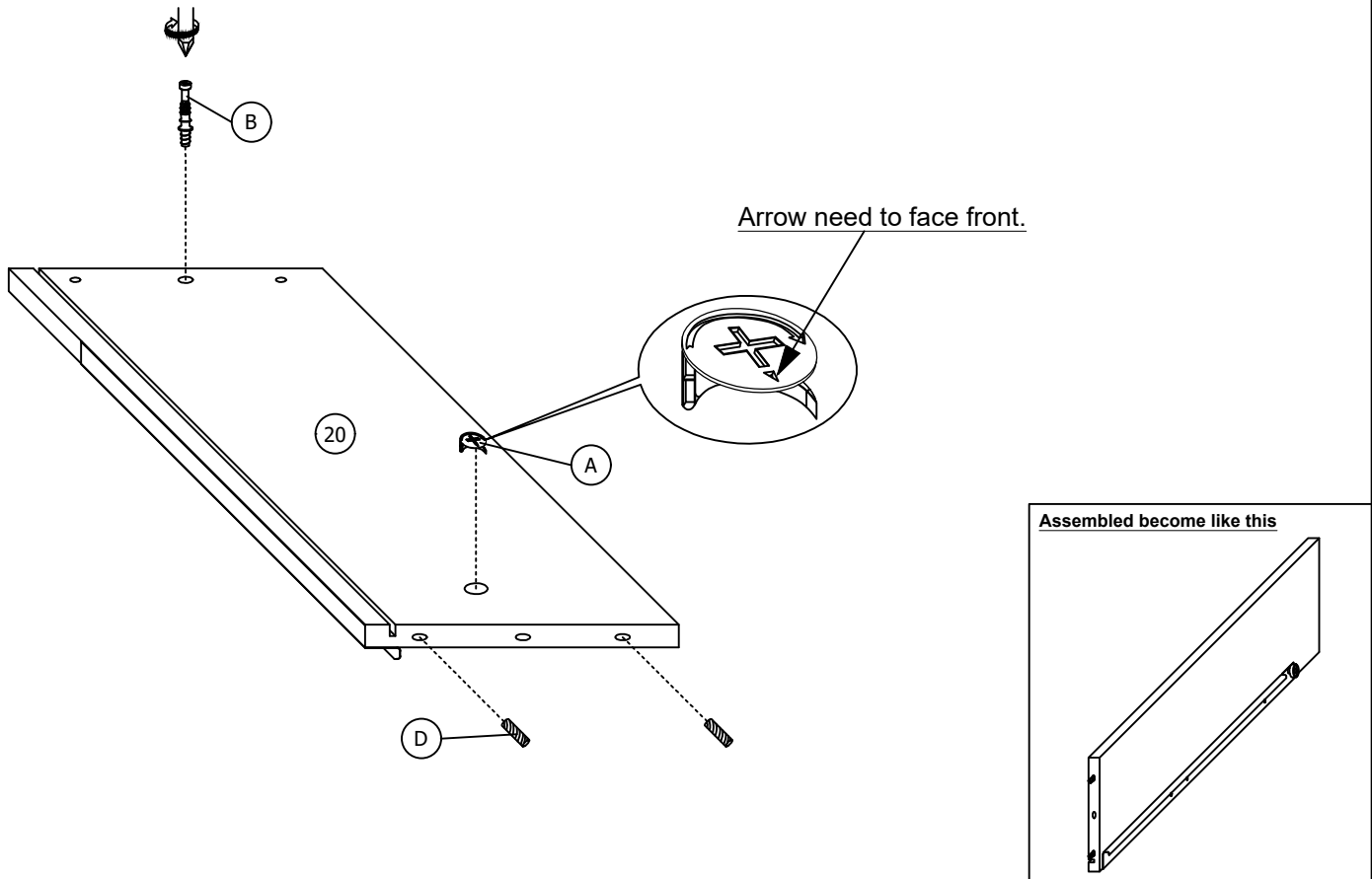
STEP 20

Insert 1 piece (A) , 1 piece (B) and 2 pieces (D) to (19) as shown. This step needs to be **done six times**.



STEP 21

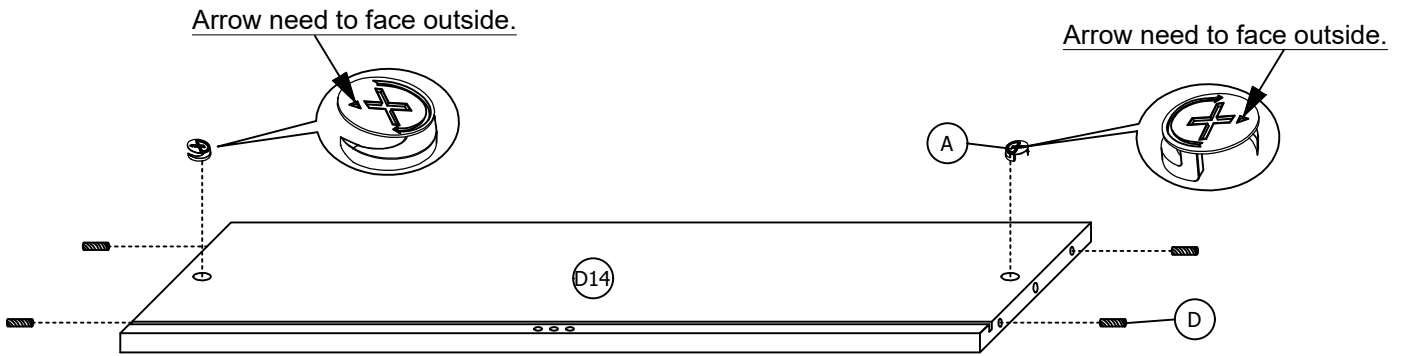
Insert 1 piece (A) , 1 piece (B) and 2 pieces (D) to (20) as shown. This step needs to be **done six times**.



ASSEMBLY INSTRUCTION

STEP 22

Insert 2 pieces (A) and 4 pieces (D) to (D14) as shown. This step needs to be **done six times**.

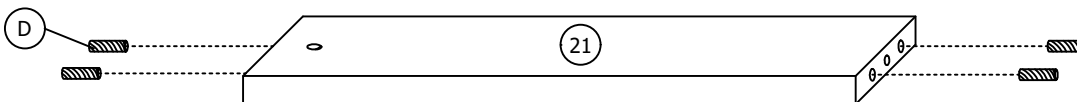


Assembled become like this

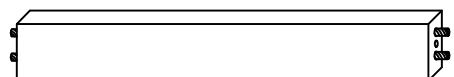


STEP 23

Insert 4 pieces (D) to (21) as shown. This step needs to be **done six times**.



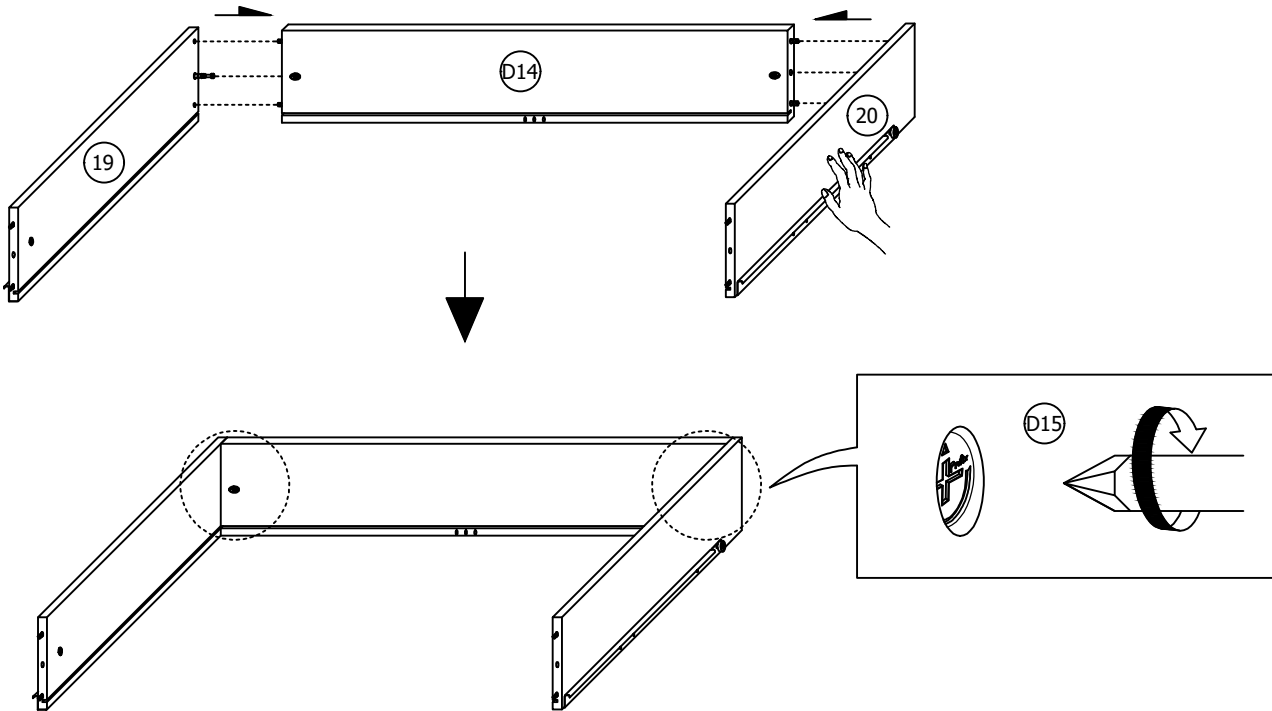
Assembled become like this



ASSEMBLY INSTRUCTION

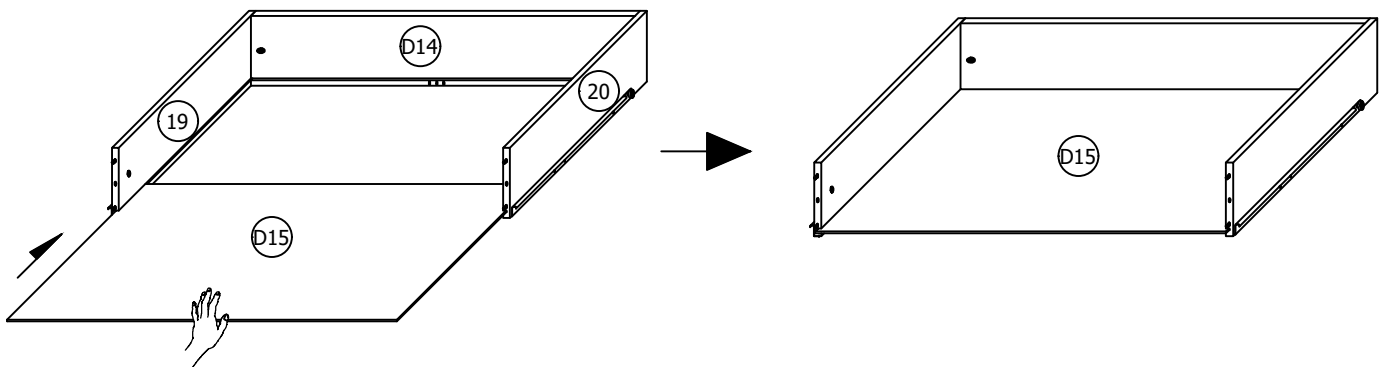
STEP 24

Combine (19) and (20) to (D14) then tighten the 2 pieces (A)-(pre-insert in step 22) as shown. This step needs to be **done six times**.



STEP 25

Put the (D15) into the gap of (19),(20) and (D14) as shown. This step needs to be **done six times**.

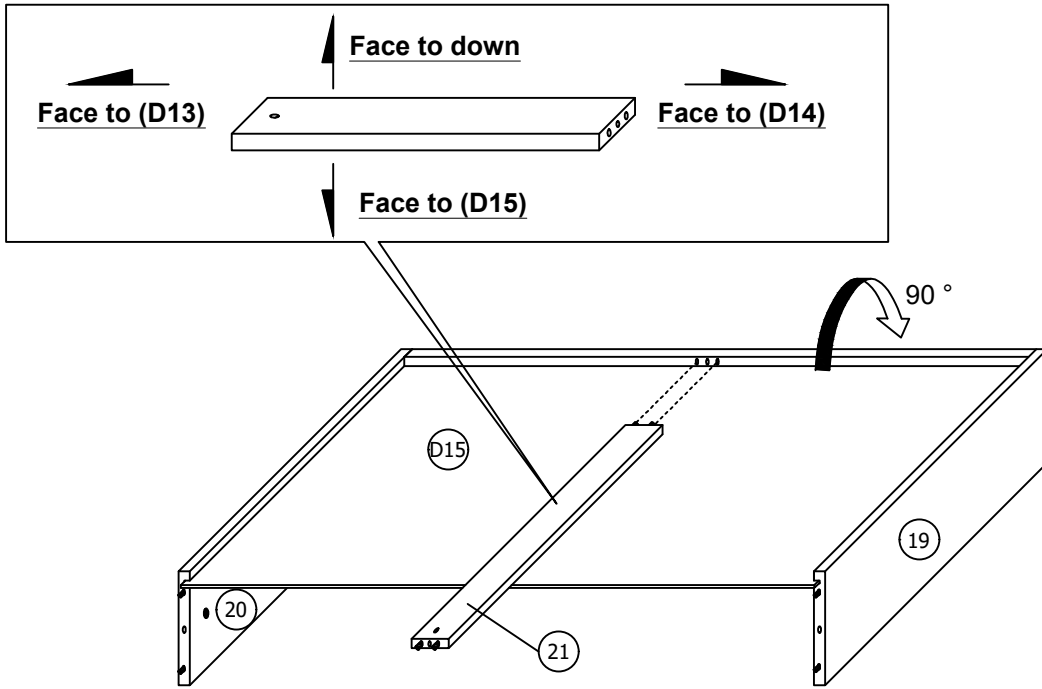


ASSEMBLY INSTRUCTION

STEP 26

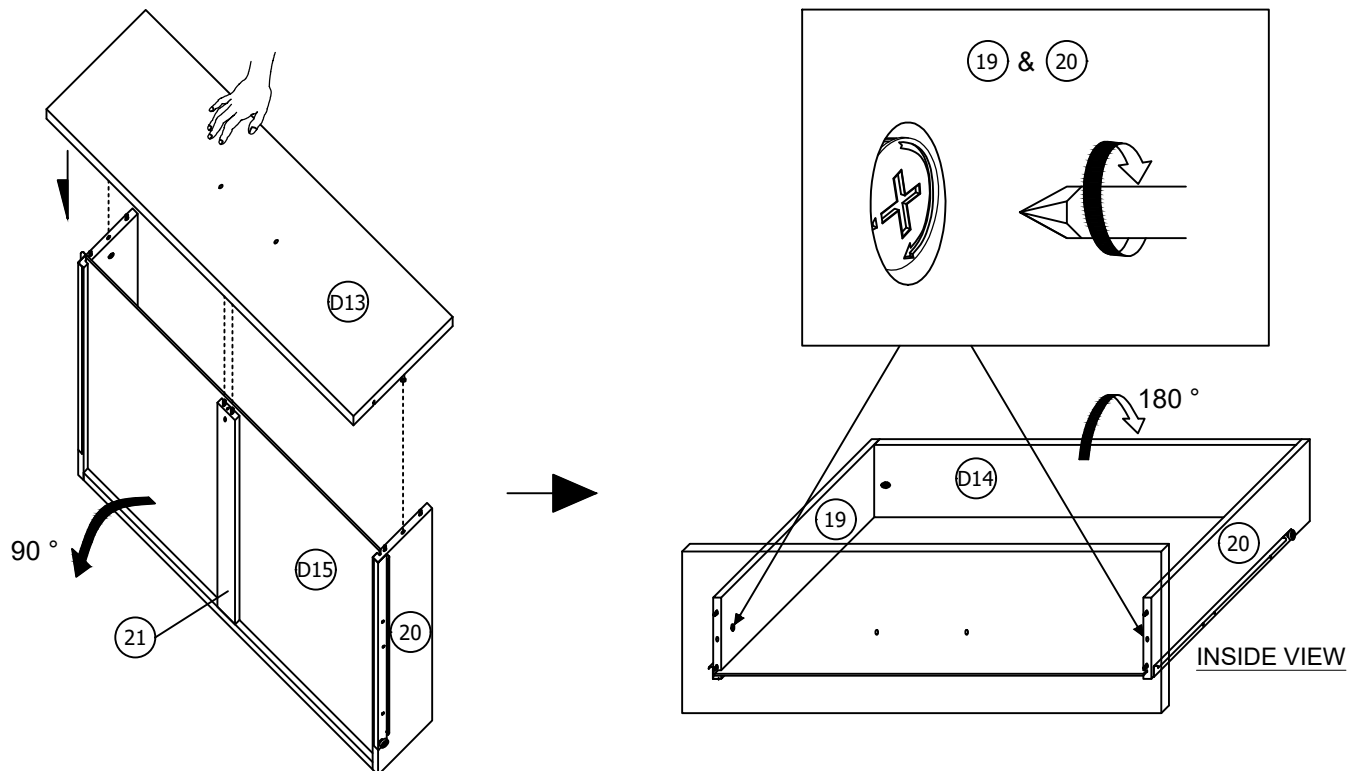
Check the position then combine the (21) to the (D14) as shown. This step needs to be **done six times**.

Attention : Please check the direction of item (21) before start doing this step.



STEP 27

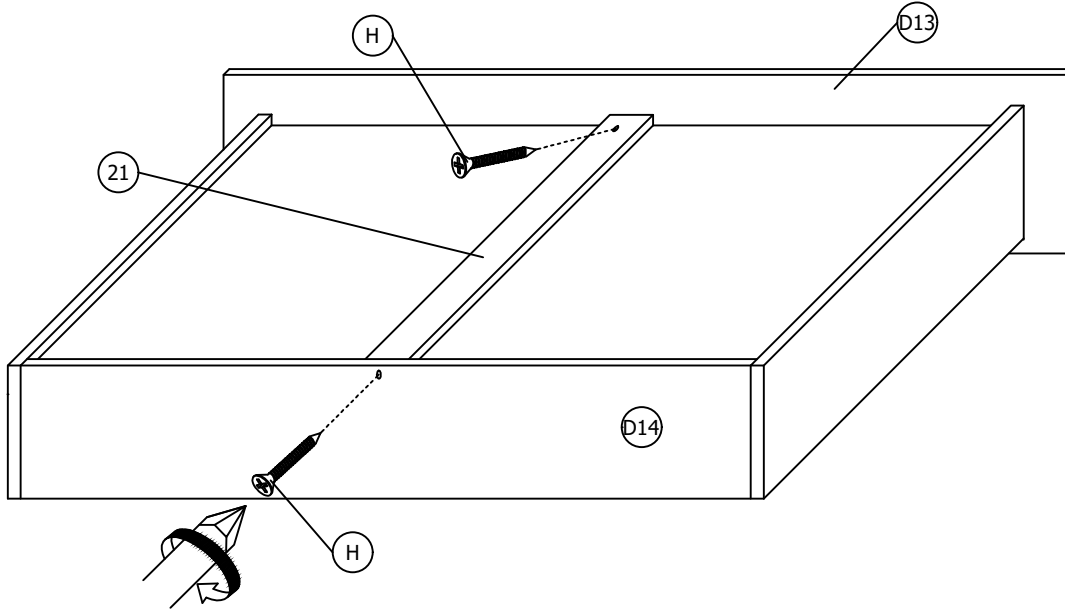
Combine the (D13) to the drawer frame. Then tighten the 2 pieces (A)-(pre-insert in step 20 and 21) as shown. This step needs to be **done six times**.



ASSEMBLY INSTRUCTION

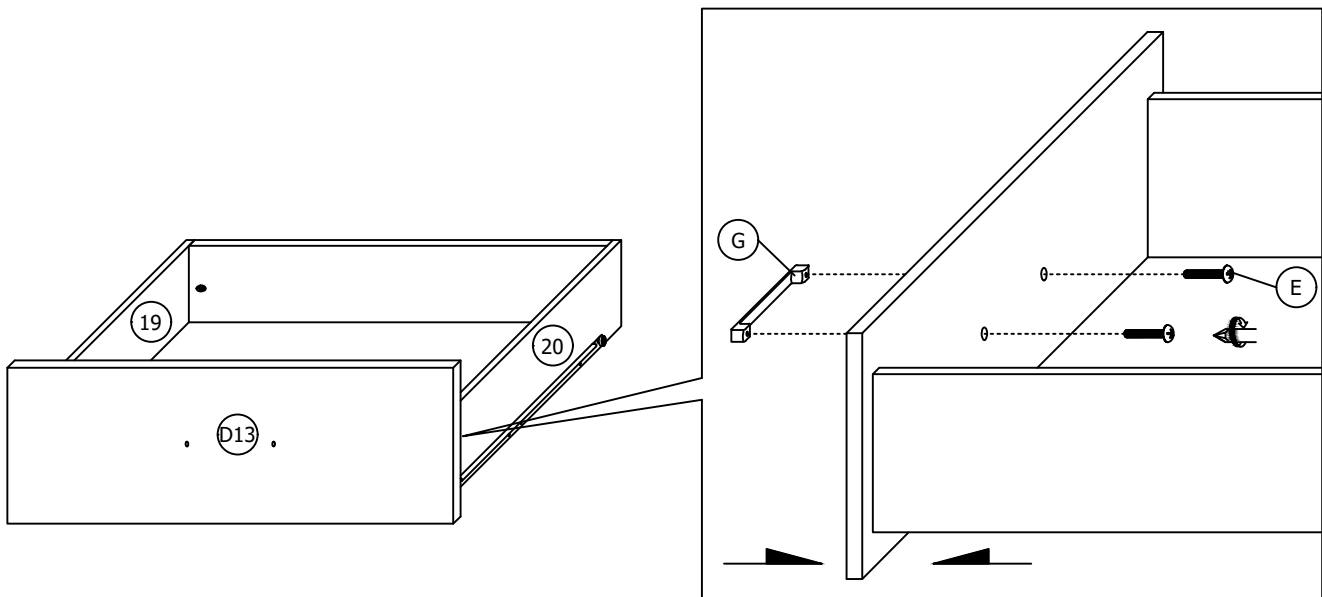
STEP 28

Insert 1 piece (H) to the (21) and (D14) and as shown. **This step needs to be done six times.**



STEP 29

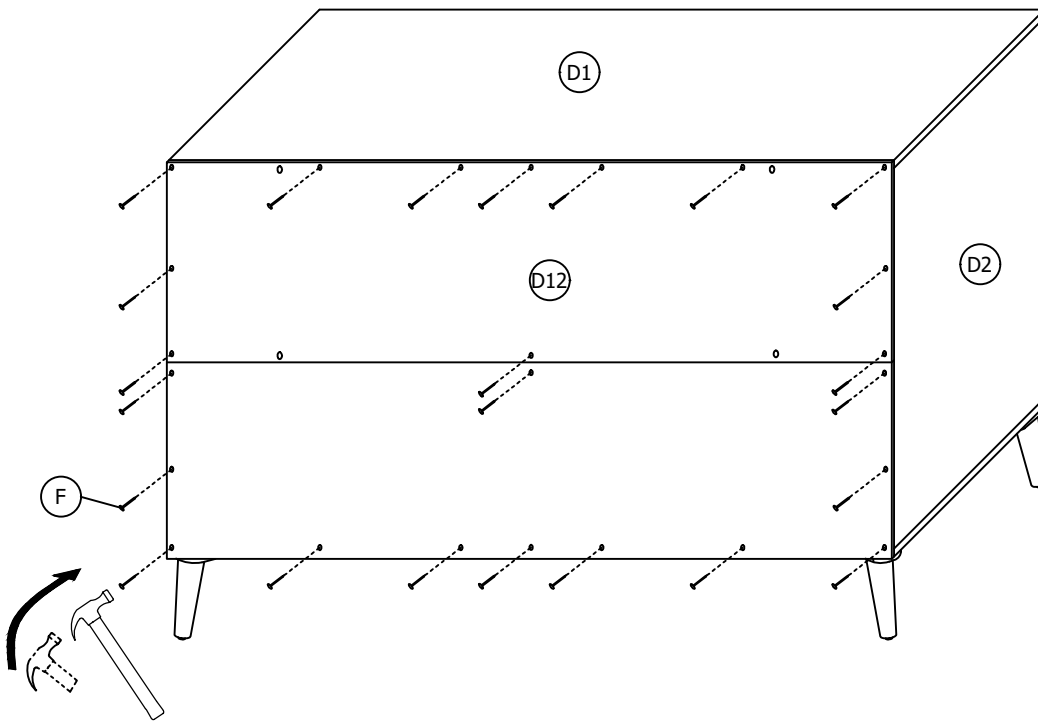
Insert 2 pieces (E) fix the (G) as shown. **This step needs to be done six times.**



ASSEMBLY INSTRUCTION

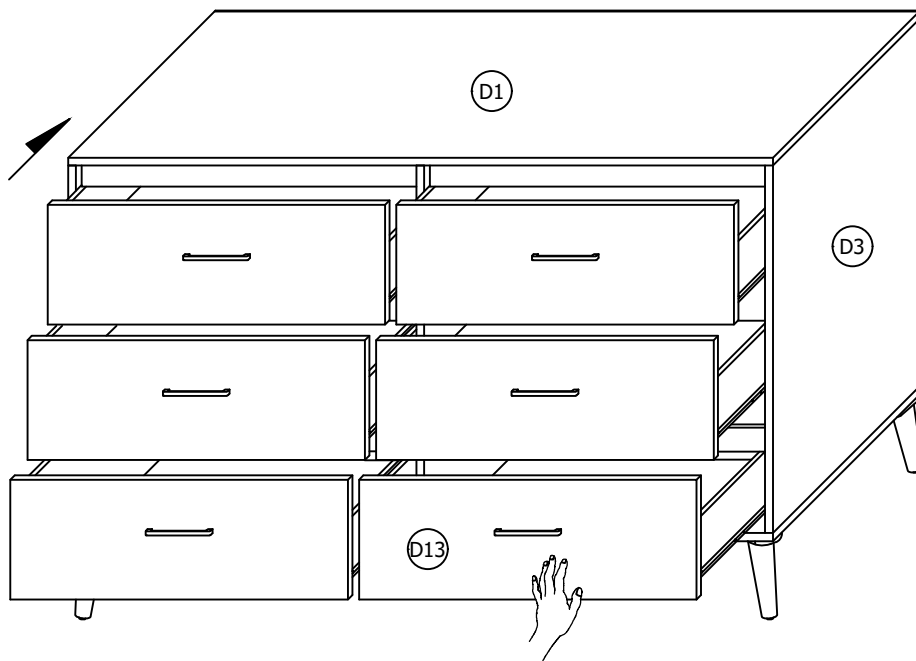
STEP 30

Insert the 24 pieces (F) to fix the (D12) as shown.



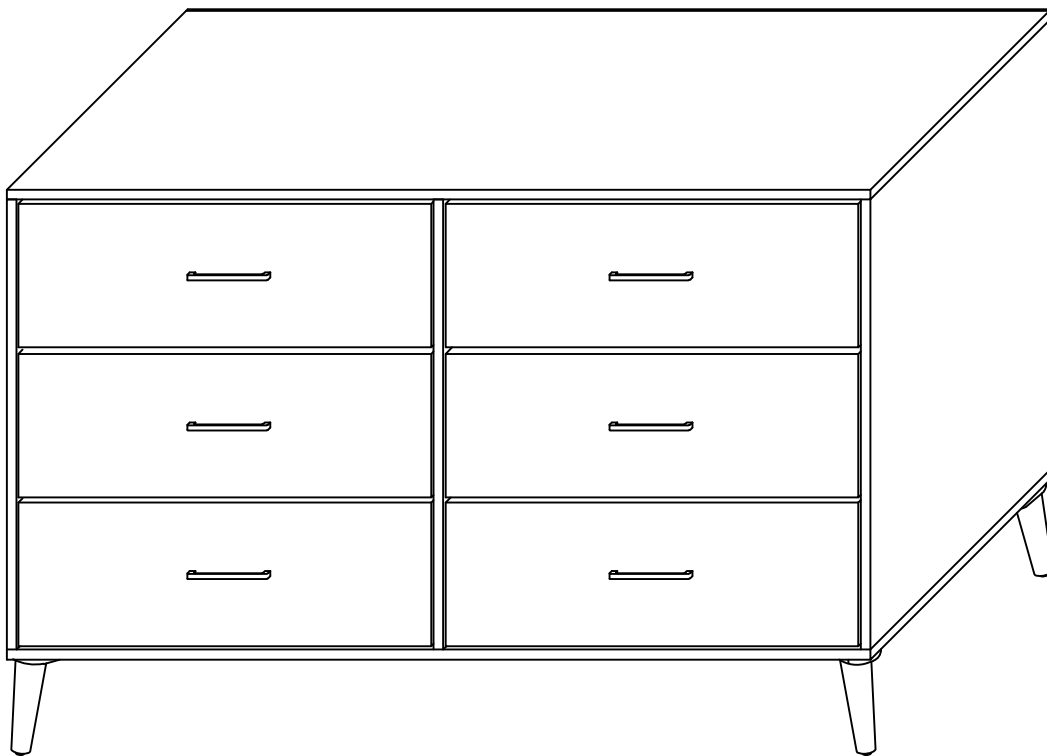
STEP 31

Align the position then push the 6 pieces drawer to inside exactly by your hand as shown.



ASSEMBLY INSTRUCTION

STEP 32



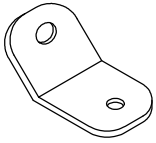
ASSEMBLY COMPLETED

WALL STUD

SAFETY BRACKET INSTRUCTIONS

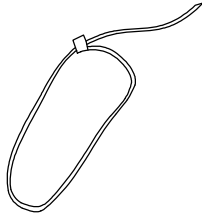
Part Enclosed :

A) Bracket



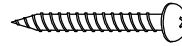
2x

B) Safety Strap



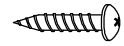
1x

C) 50mm Pan Head Screw



1x

D) 17mm Pan Head Screw



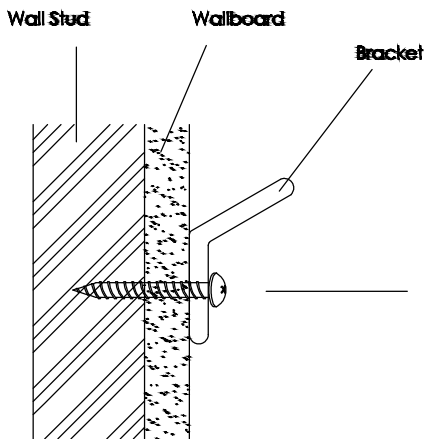
1x

IMPORTANT: Tipping can injure young children. Use of this safety hardware is highly recommended. This safety hardware, when properly installed, can provide furniture protection against unexpected accidental tipping of furniture due to improper use.

Step 1

Attach a bracket to the wall board with the 2" screw provided:

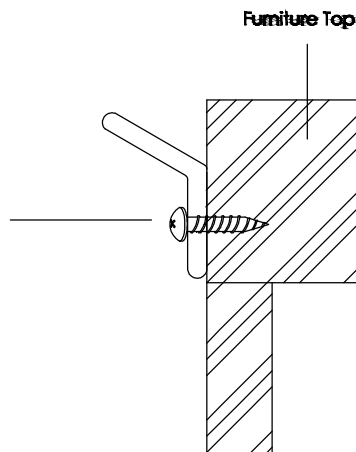
- . It is recommended that you locate a wall stud behind the furniture unit. If the wall stud is not used, a suitable "Hollow-Wall Anchor Bolt" (not provided) should be used in lieu of the wall stud.
- . Position the wall bracket on the stud about 1" below the top of furniture piece.
- . Mark the position for the bracket placement on the wall and drill a pilot hole into the stud.
- . Attach the bracket to the back of the furniture with the 2" screws provided.



Step 2

To attach a bracket to the Furniture Frame below to top with the short screws provided :

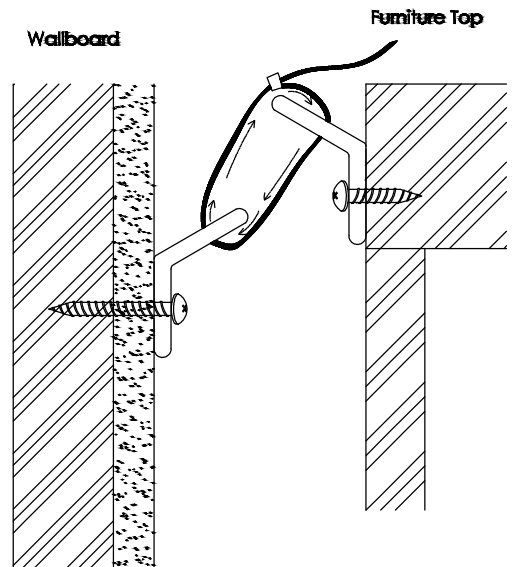
- . Move the furniture piece temporarily to its final position to the wall.
- . Mark the location of the bracket on the back of the furniture in relation to the previously mounted wall bracket.
- . Move the furniture piece away from the wall mounted bracket and place the other bracket on the mark position on the back of the furniture piece.
- . Drill a pilot hole as shown in the figure or into the back furniture frame.
- Caution:** Mark sure you do not drill completely through the back of the furniture.
- . Attach the bracket to the back of the furniture with the 5/8" screws provided.



Step 3

To Attach the safety strap:

- . Move the furniture back to its final position.
- . Thread the safety strap through both of the mounted brackets as shown in the illustration.
- . Tighten the strap unit snug.
- . Do not over tighten.



IMPORTANT: Make sure the brackets are firmly attached to the wall stud and furniture frame and the safety strap is snug.

Warning: This product is not be a substitute for proper parental supervision which is the only proper deterrent to prevent improper use of this unit. The manufacturer assumes no liability for improper installation or excessive loads placed on the safety straps, bracket or mounting screws. This hardware will not insure against tipping.

Note: For taller or heavier pieces of furniture, two safety brackets may be installed.

This sticker was stucked at one of the **DRAWER LEFT PANEL(19)**.



Place the drawer which stucked a warning label in the top as shown.

