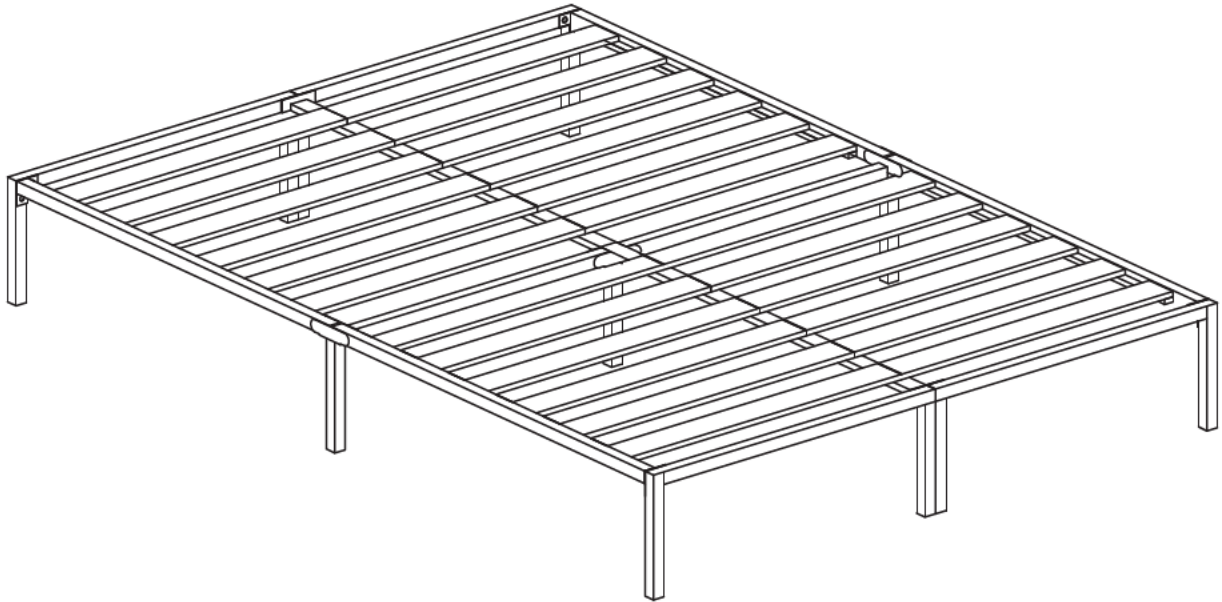


ASSEMBLY INSTRUCTIONS



1900mm×1350mm×253mm 4ft 6 DOUBLE

COLOUR: BLACK

PLEASE READ this sheet prior to assembly to familiarise yourself with the various stages of construction.

Carefully open the pack supplied and check the contents against the parts and fittings check list. Do not destroy any of the packaging until you are certain that you have all the necessary parts for the assembly.

CAUTION: There are small components used in the construction of this unit. These loose items should be kept away from young children whilst assembling your unit to avoid the danger of choking hazards.

Tools Required



4mm Allen key x 2



x2



15 Minutes
Set Up

ASSEMBLY INSTRUCTIONS

IMPORTANT - READ CAREFULLY - RETAIN THESE INSTRUCTIONS FOR FUTURE REFERENCE.

INFORMATION

- This product is intended for a maximum person's weight of 110kg per side. Do not exceed this weight.
- Due to the size of this product we recommend that it is assembled in the room intended for use.
- When you are ready to start, make sure that you have the right tools, plenty of space and a clean, dry area for assembly.
- Unwrap all packaging materials and place the components on top of the carton box or on a clean floor to prevent it from scratching.
- Check the pack and make sure you have all the parts listed.
- Ensure that this product is fully assembled and secured as illustrated before use.
- Check all screws or bolts are tightened and inspect regularly.
- This product should only be used on firm, level ground.
- Please dismantle for transportation
- Tools are included.

WARNINGS

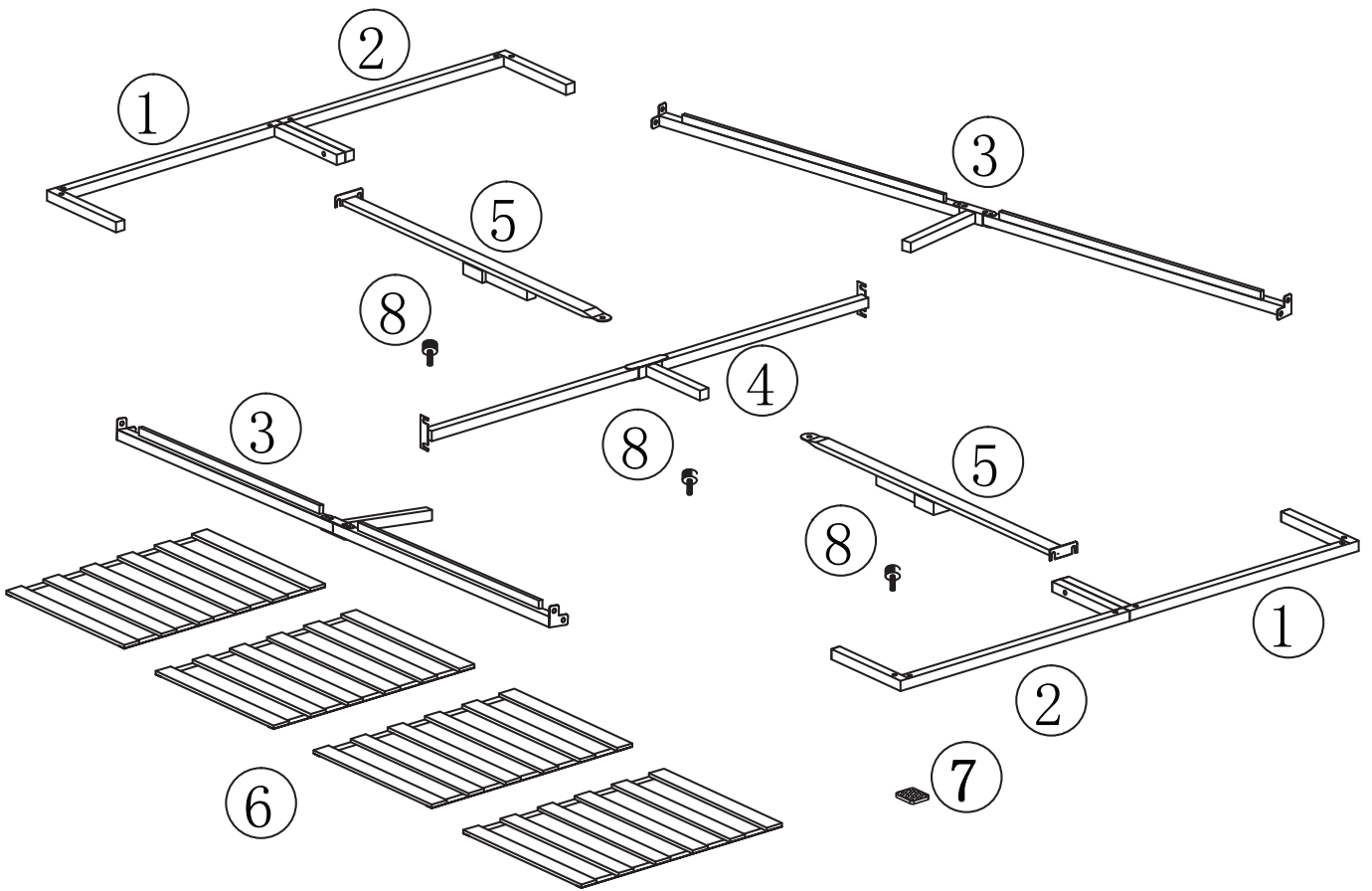
- DO make sure the feet remain in contact with the ground.
- DO keep small parts out of reach of children.
- DO NOT use power tools to construct this product.
- DO NOT tighten screws until fully assembled.
- DO NOT over tighten screws or bolts.
- DO NOT use this product if parts are missing, damaged or worn.
- DO NOT stand on the product.
- DO NOT insert foreign objects into the product or attempt to repair this unit by yourself.
- When moving the bed always lift into position . Never drag or pull your bed otherwise it could damage essential components.

CARE INFORMATION

- Never use scourers, abrasives or chemical cleaners.
- To clean wipe with a sponge and warm soapy water. Do not use solvent based cleaners or detergents as they can bleach or damage the product.

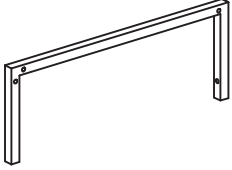
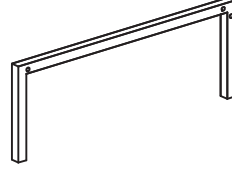
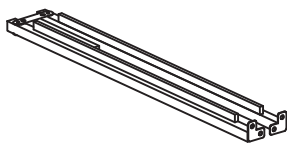
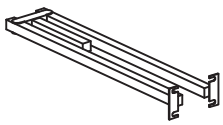
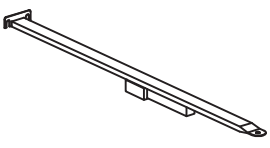
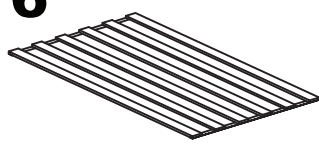


ASSEMBLY INSTRUCTIONS

Please check the pack contents before assembling the product. If any components are missing, please contact your retailer. The fittings pack contains small items that should be kept away from small children.
(NOT TO SCALE)



ASSEMBLY INSTRUCTIONS

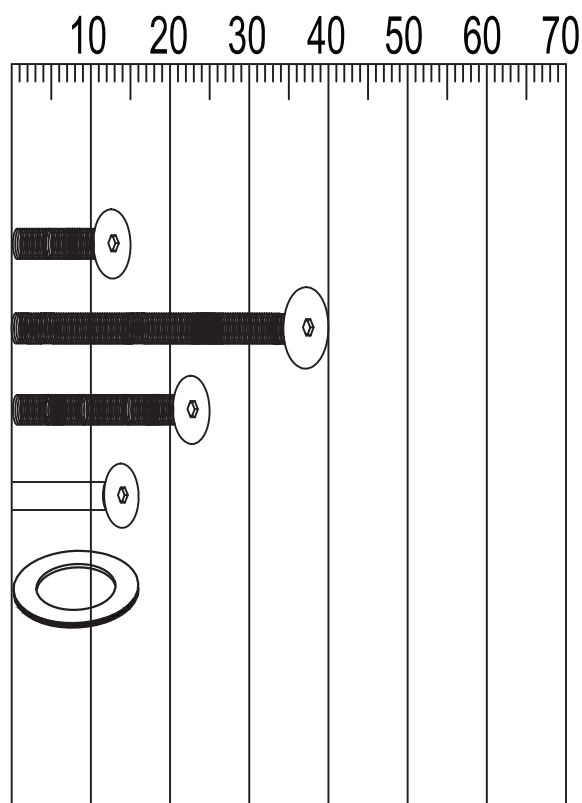
Parts (NOT TO SCALE)

<p>1</p> 	<p>2</p> 	<p>3</p> 	<p>4</p> 
<p>END RAILS 2PCS Dimension: 675*253*25mm</p>	<p>END RAILS 2PCS Dimension: 675*253*25mm</p>	<p>SIDE RAIL 2PCS Dimension: 922*120*50mm</p>	<p>CENTRE SUPPORT FEET 1PC Dimension: 645*120*80mm</p>
<p>5</p> 	<p>6</p> 	<p>7</p> 	<p>8</p> 
<p>CENTRE SUPPORT RAIL 2PCS Dimension: 939*80*65mm</p>	<p>SLATS 4SETS Dimension: 648*770*13mm</p>	<p>ADHESIVE RUBBER ANTI SLIP PADS 8PCS Dimension: 22*22*3mm</p>	<p>ADJUSTABLE CENTRE FEET 3PCS Dimension: 30*20*20mm</p>

ASSEMBLY INSTRUCTIONS

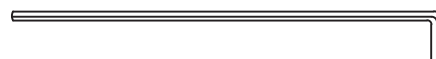
Fixings (to scale)

Ref	Dimensions	Qty
A	Bolt-M6x15	12
B	Bolt-M6x40	3
C	Bolt-M6x25	4
D	"T"Nut-Ø6x16	4
E	Flat Washer-Ø6x16	16



(Not to scale)

F	4mm Allen Key	2
---	---------------	---



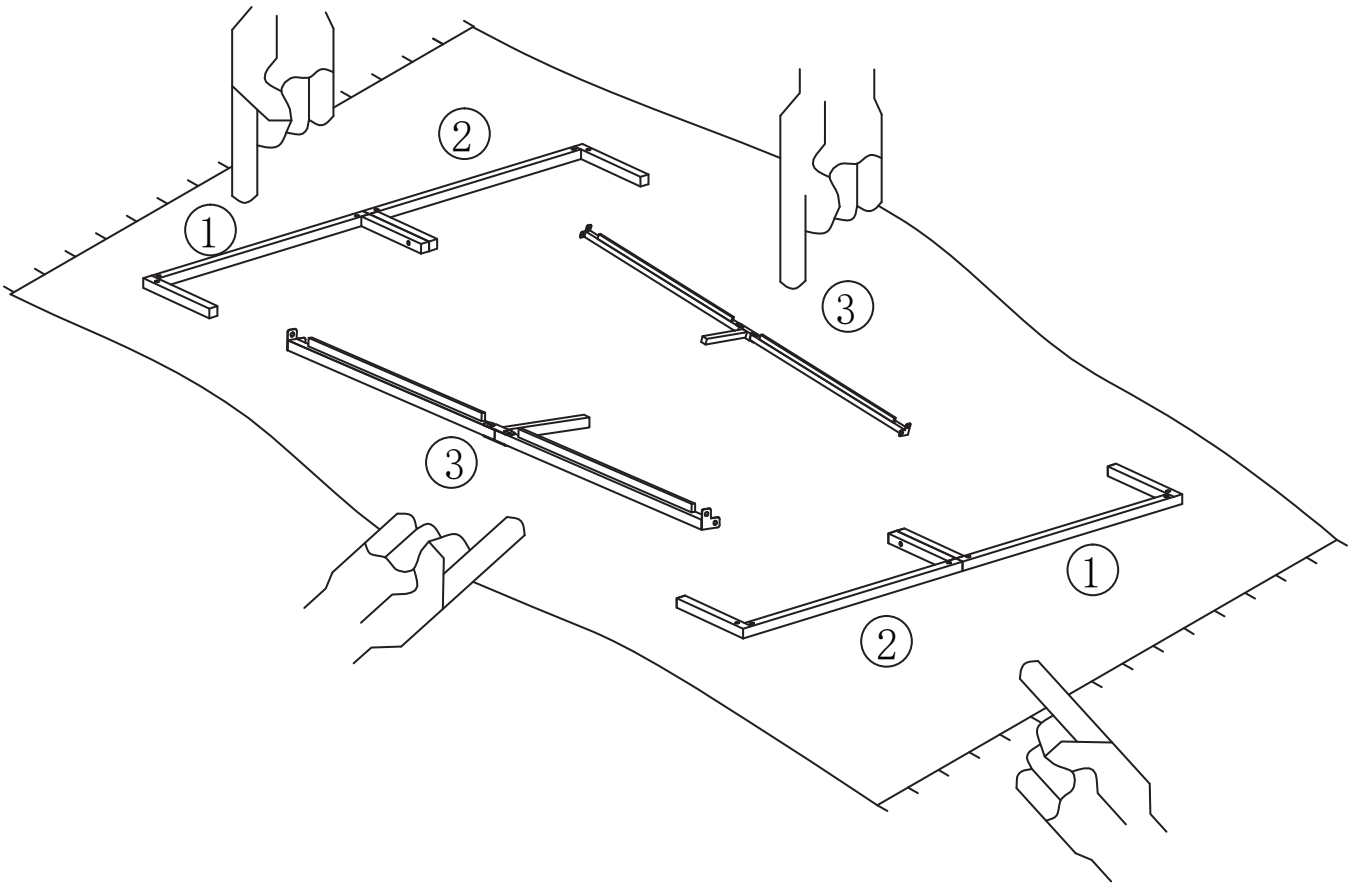
CAUTION: There are many small components used in the construction of this product. Please keep these components away from young children whilst assembling this product .

If you keep the fittings in a bowl during assembly you will be less likely to lose them!

ASSEMBLY INSTRUCTIONS

Layout Parts on Soft Surface

Lay out all 4 sides on a soft surface i.e. Rug, Carpet or Packaging Carton.



ASSEMBLY INSTRUCTIONS

Step1	Parts Required
	<ul style="list-style-type: none"> ① End rails x 2 ② End rails x 2 Ⓐ 15mm M6 Bolt x 4 Ⓑ 40mm M6 Bolt x 2 Ⓔ Flat washer x 4 Ⓕ 4mm Allen key

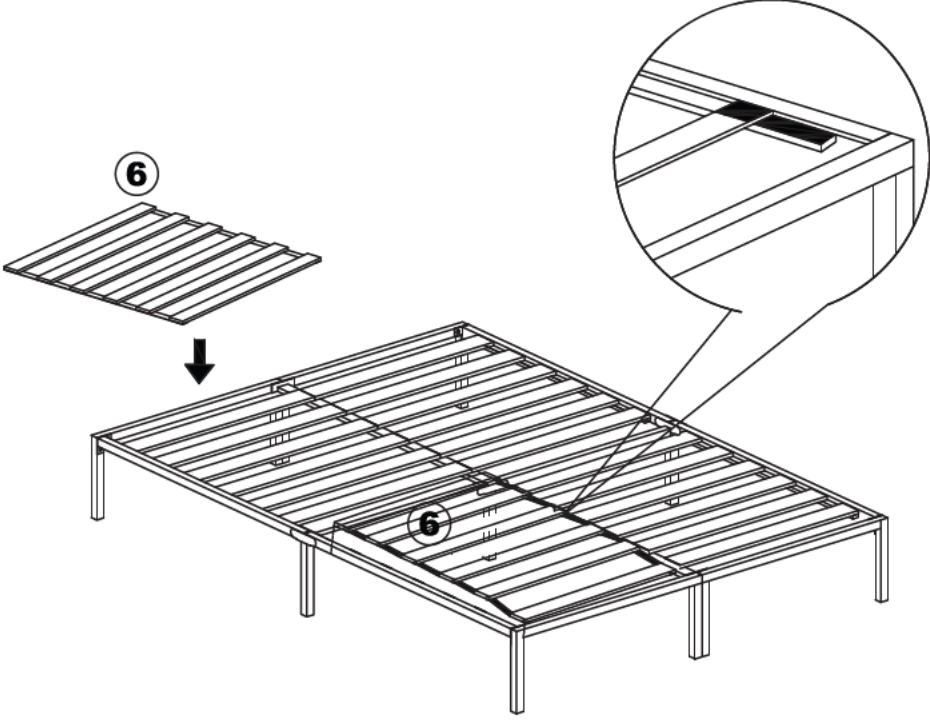
Step2	Parts Required
	<ul style="list-style-type: none"> ③ side rail x 2 Ⓒ 25mm M6 Bolt x4 Ⓓ "T"Nut x 4 Ⓔ Flat washer x 4 Ⓕ 4mm Allen key x 2

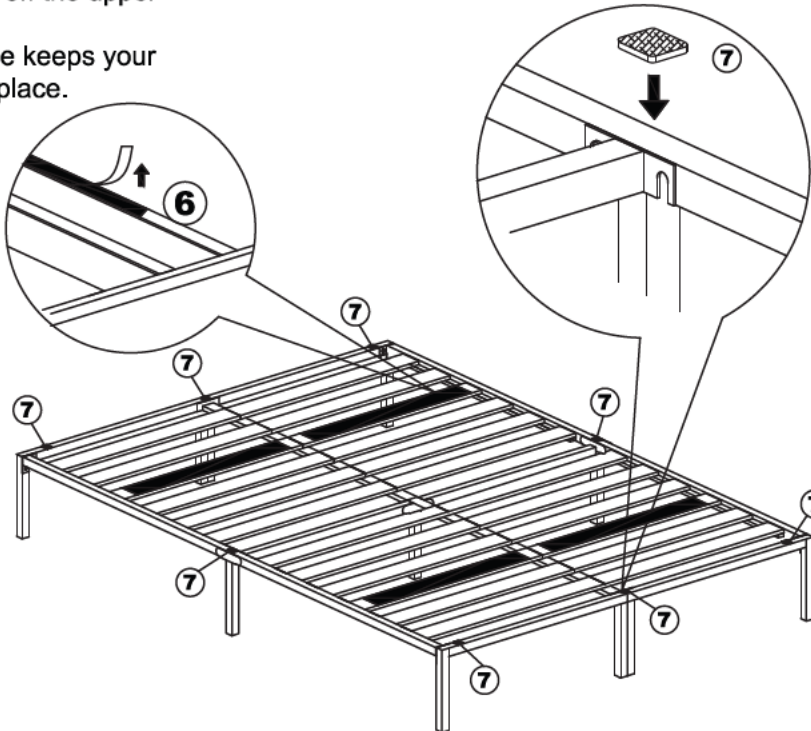
ASSEMBLY INSTRUCTIONS

Step3	Parts Required
	<ul style="list-style-type: none"> ④ Centre support feet x 1 ⑤ Centre support rail x 2 ⑧ Adjustable centre feet x 3

Step4	Parts Required
	<ul style="list-style-type: none"> ① End rails x 2 ③ Side rail x 2 ④ Centre support feet x 1 ⑤ Centre support rail x 2 A 15mm M6 Bolt x 8 B 40mm M6 Bolt x 1 C 25mm M6 Bolt x 4 E Flat washer x 12 F 4mm Allen key x 2

ASSEMBLY INSTRUCTIONS

Step5	Parts Required
 <p>Diagram illustrating Step 5: Slats (6) are being installed onto the bed frame. A callout shows a close-up of a slat being placed on a frame rail.</p>	<ul style="list-style-type: none">⑥ Slats x 4

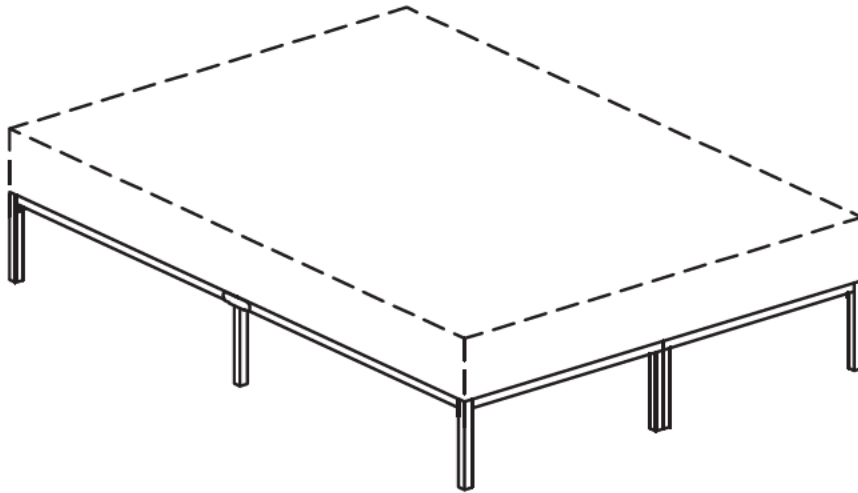
Step6	Parts Required
<p>Please peel off the upper strip. Non-slip tape keeps your mattress in place.</p>  <p>Diagram illustrating Step 6: Adhesive rubber mattress anti-slip pads (7) are being applied to the slats. A callout shows a close-up of a pad being applied to a slat.</p> <p>Apply rubber anti-slip pads to help keep mattress in place</p>	<ul style="list-style-type: none">⑥ Slats (Peel off adhesive strip) x 4⑦ Adhesive rubber mattress anti slip pad x 8

ASSEMBLY INSTRUCTIONS

Step7

Parts Required

Suitable for all types and depth of mattress.



Keep instructions for future reference

