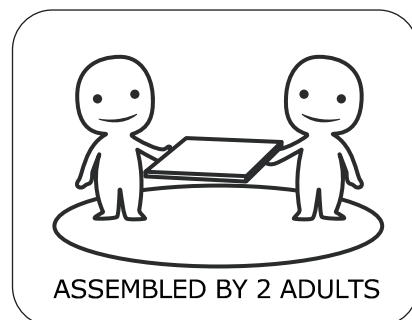
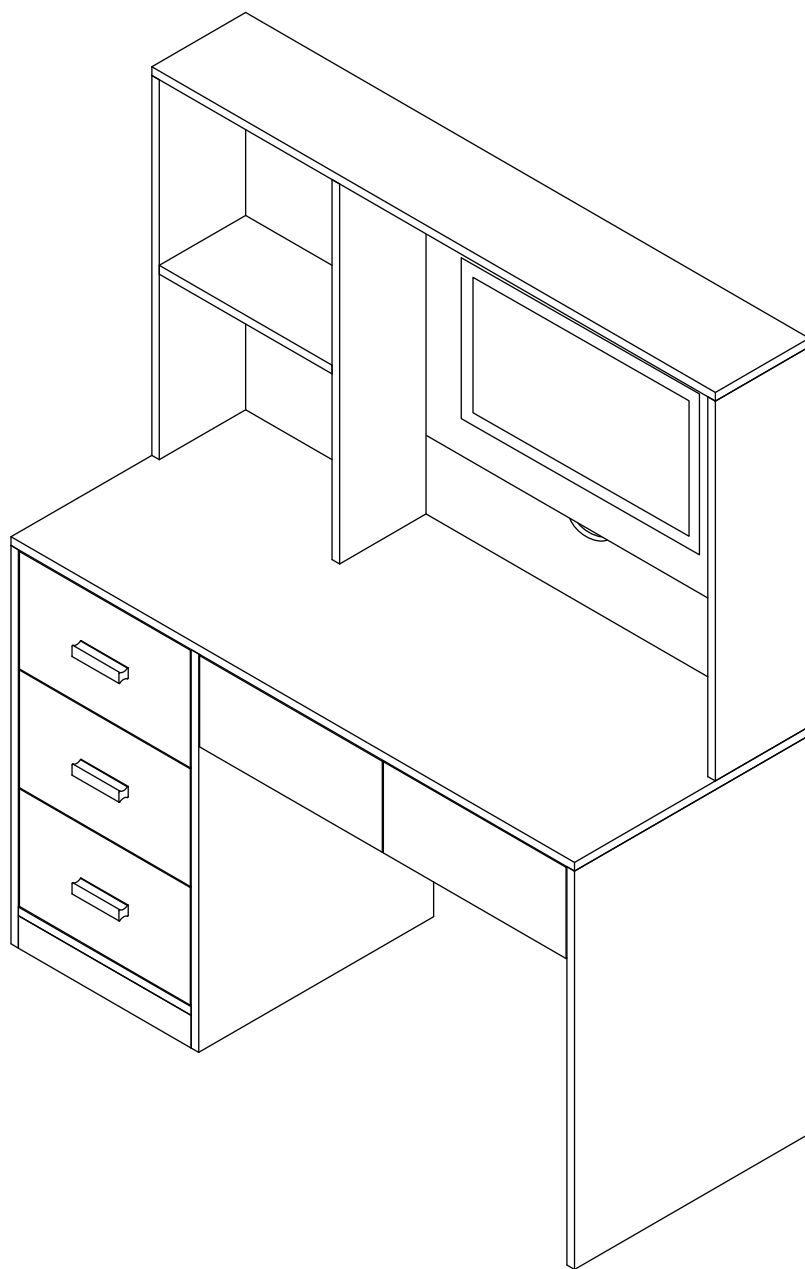
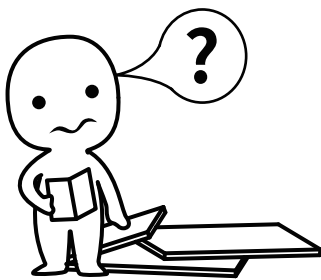


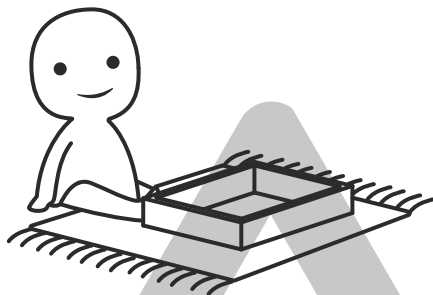
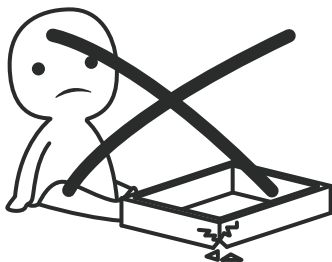
Vanity





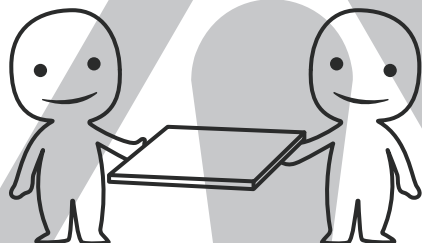
IMPORTANT INFORMATION!

please read the entire manual before starting to assemble and/or using this product. follow the manual thoroughly and keep it for further reference.



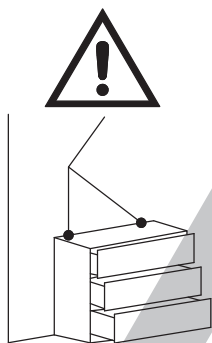
AVOID SCRATCHES!

In order to avoid scratching this furniture should be assembled on a soft layer- could be a rug.



IMPROVE EFFICIENCY !

Try to find a partner to install with you, which can speed up the installation efficiency and shorten the time.



ANTI-TOPPLE WARNING !

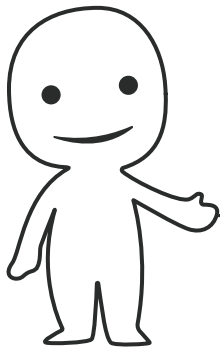
Overturnd furniture can cause serious or fatal crush injuries. To prevent tipping over, be sure to use the wall attachment, if not included with this product. Please purchase the wall attachment that fit your wall. If unsure, seek professional advice. Please read and follow each step of the instructions carefully.

IMPORTANT !

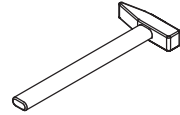
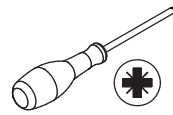
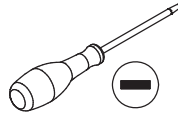
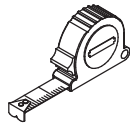
It is important that any product which is assembled using any kind of screw is re-tightened 2 weeks after assembly, and once every 3 months - in order to assure stability through-out the lifespan of the product.

For regular maintenance and cleaning of the product, for the frame, please use a rag dipped in neutral detergent to fully wipe it, and then dry it with a clean rag. For glass materials, wipe with a rag dampened with water glass cleaner, and then dry with a dry rag.

Do not use an electric screwdriver, and do not use too much force when installing, because the board is easy to break.

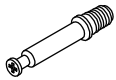


Please prepare the following tools



When installing, please carefully confirm whether each screw corresponds to the manual, accessories with similar shapes can be distinguished by size

A x 84



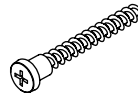
CRA0635A

B x 84



CRB1295A

C x 20



CRC0540A

D x 40



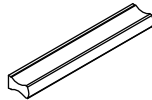
CRD0312A

E x 6

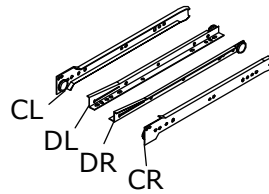


CRE0414A

F x 3

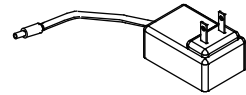


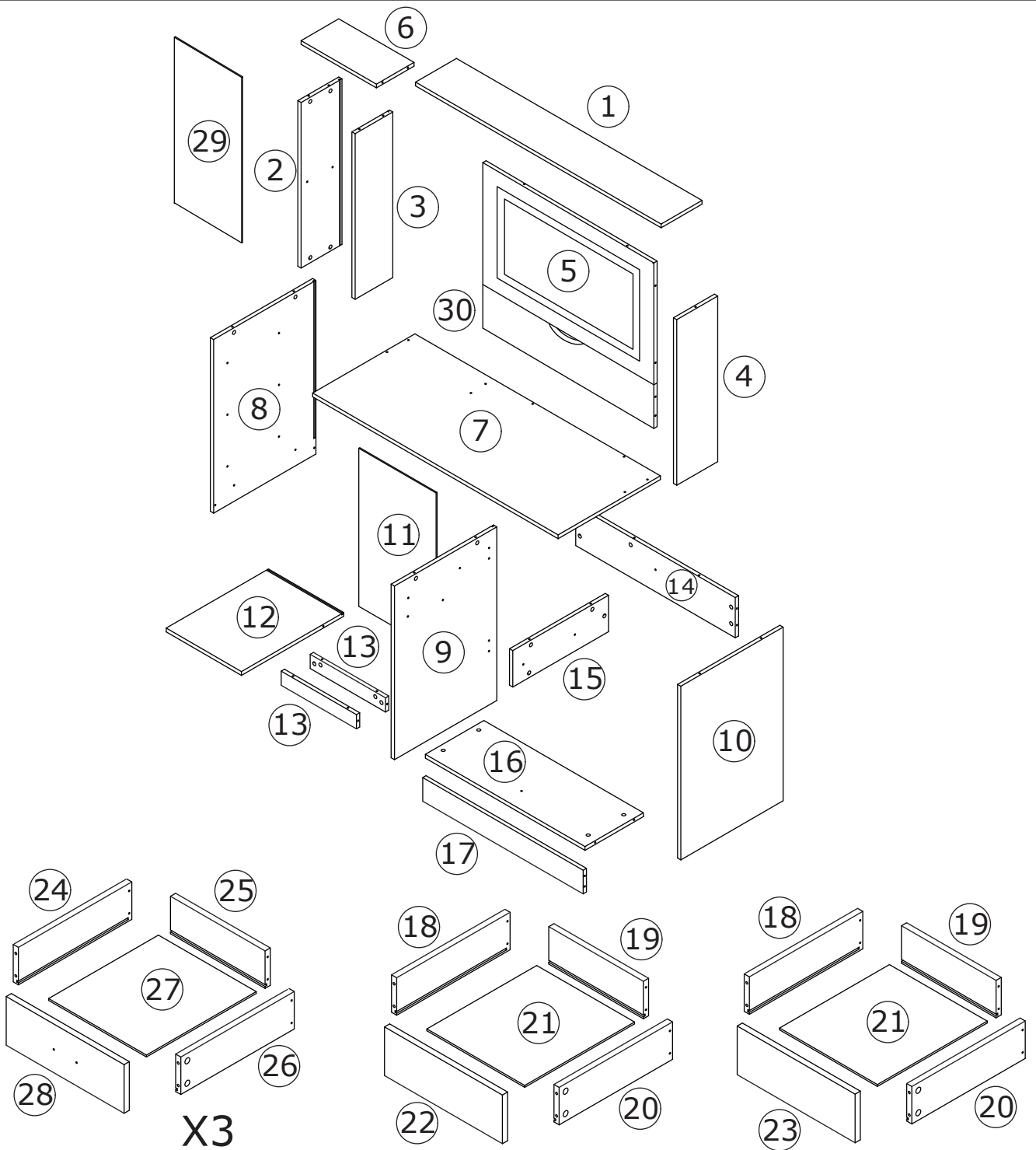
G x 5



WX0814A

Power plug x 1





⚠ WARNING



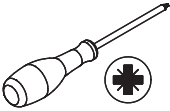
Children have died from furniture tipover. To reduce the risk of furniture tipover:

- ALWAYS install tipover restraint provided.
- NEVER put a TV on this product.
- NEVER allow children to stand, climb or hang on drawers, doors, or shelves.
- NEVER open more than one drawer at a time.
- Place heaviest items in the lowest drawers.

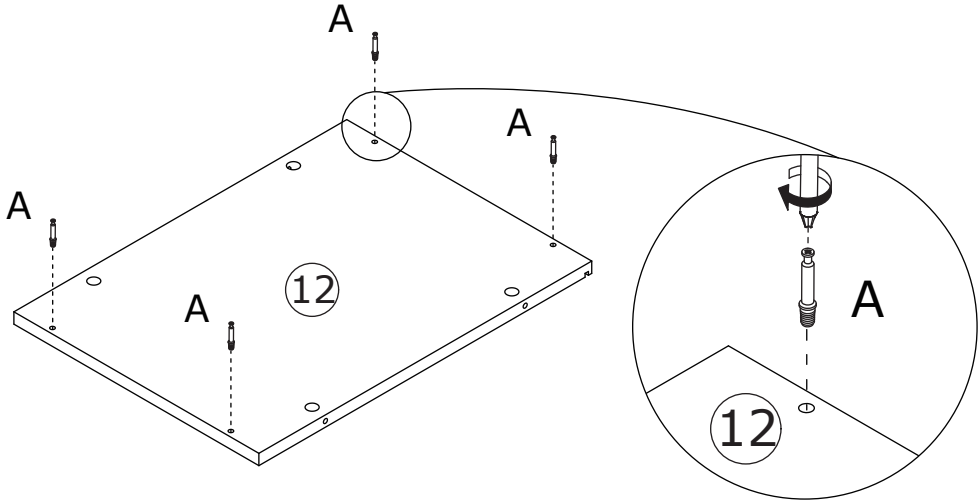
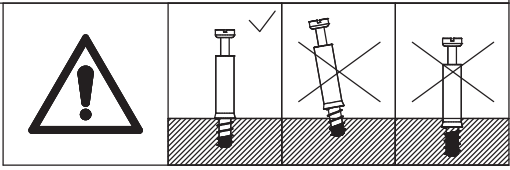


*This is a permanent label.
Do not remove!*

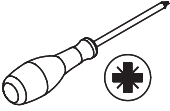
1



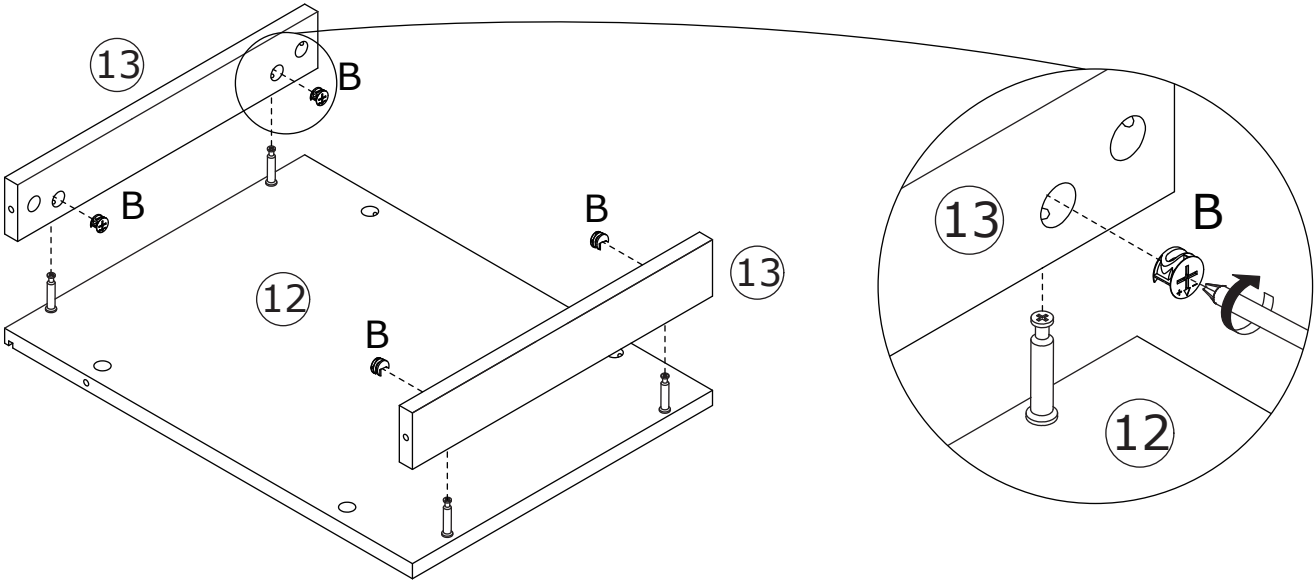
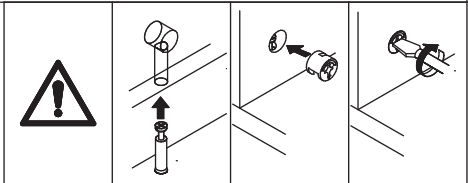
Insert quickfit screw(A) into plate 12 with a screwdriver as shown.



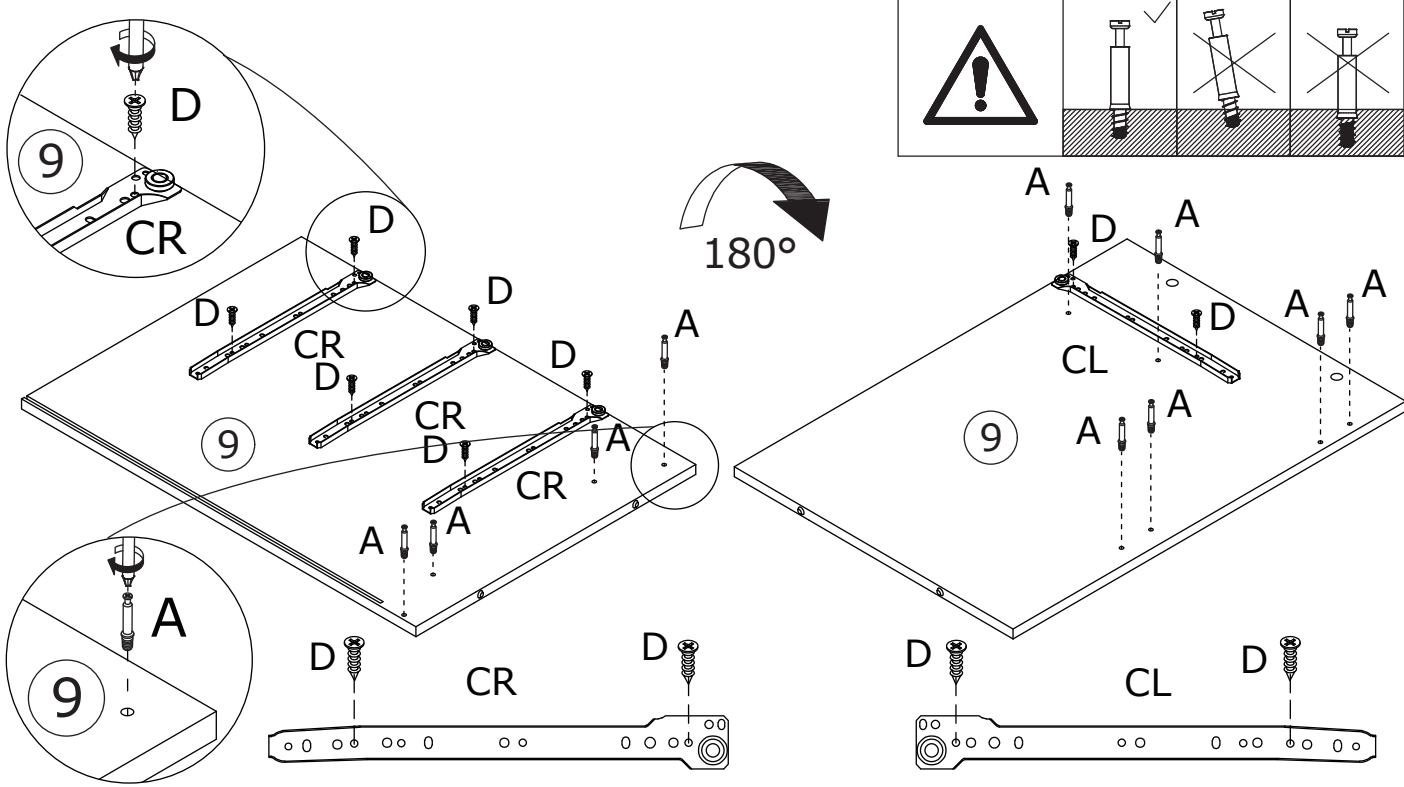
2



Attach two plate 13 to plate 12, put cam lock(B) into plate 13 and turn clockwise to tighten as shown.

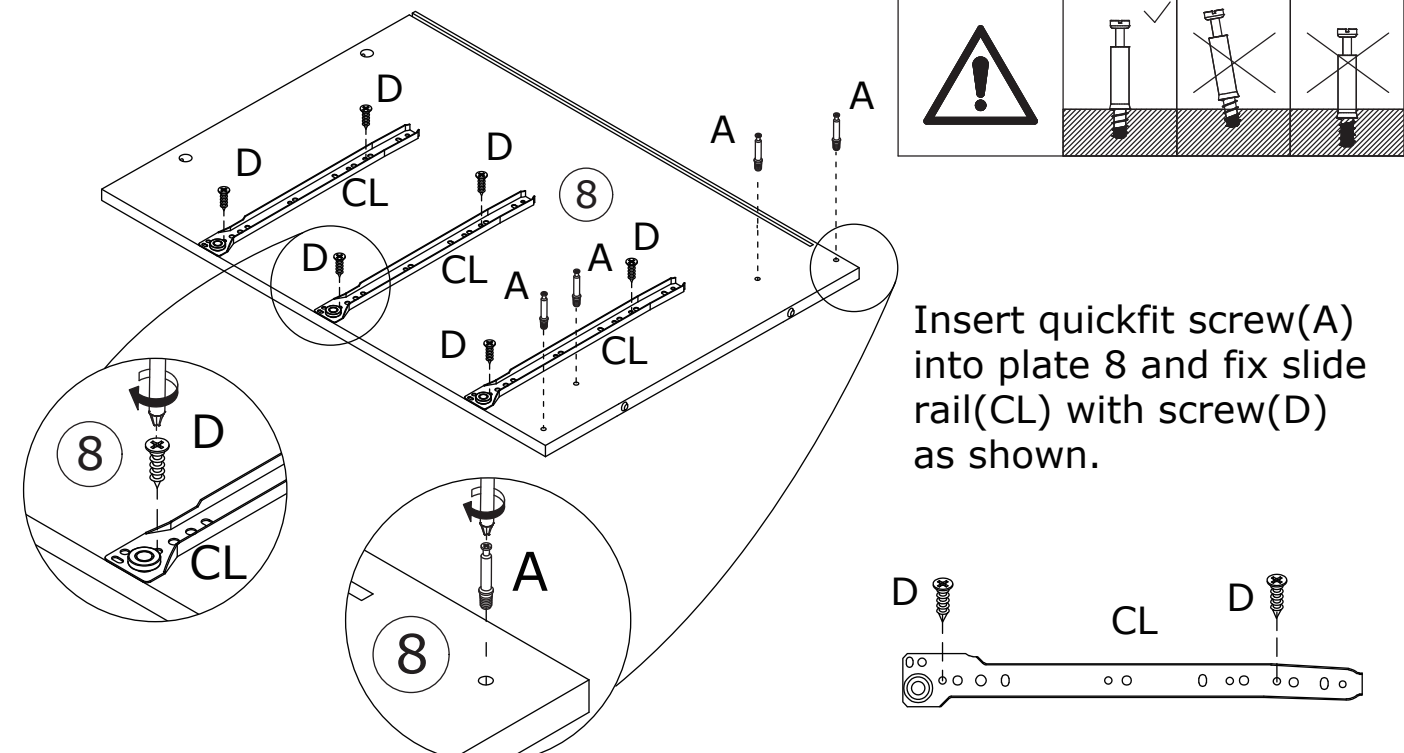


3	A x 10 CRA0635A	D x 8 CRD0312A	G x 4 CL x 1 CR x 3 WX0814A	



Insert quickfit screw(A) into plate 9 and fix slide rail(CR) with screw(D) as shown.
 Flip the plate, insert quickfit screw(A) and fix slide rail(CL) as well.

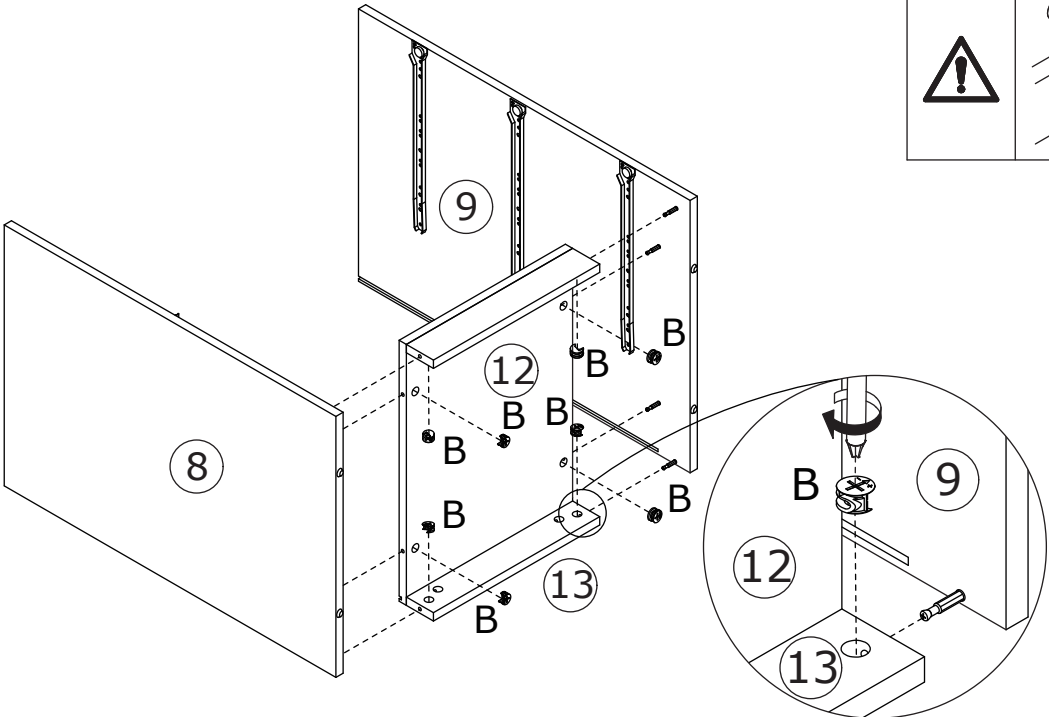
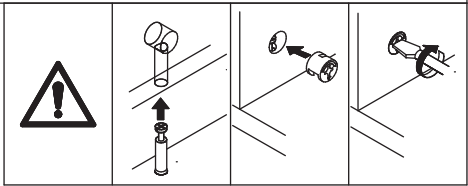
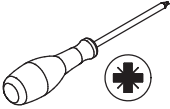
4	A x 4 CRA0635A	D x 6 CRD0312A	G x 3 CL WX0814A	



Insert quickfit screw(A) into plate 8 and fix slide rail(CL) with screw(D) as shown.

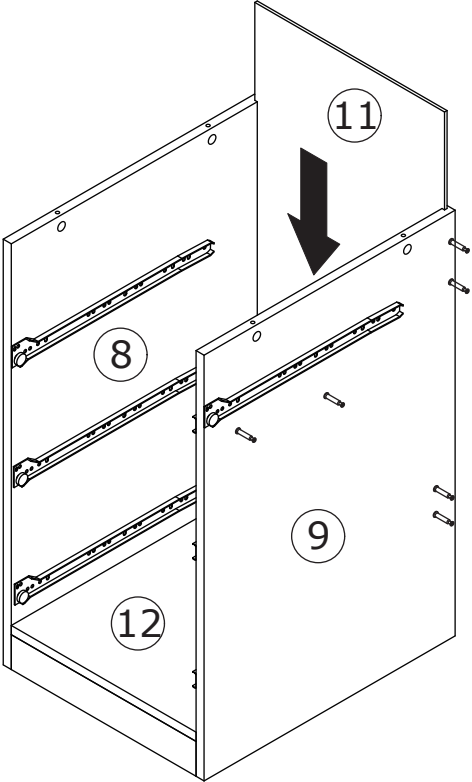
5

B x 8
CRB1295A



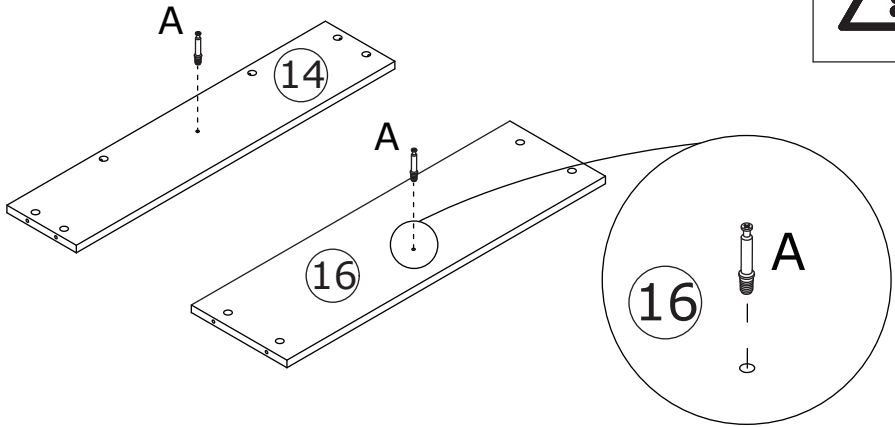
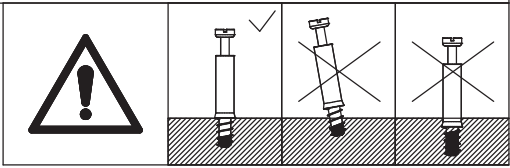
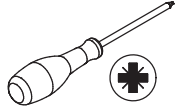
Attach plate 8 and 9 to plate 12 and 13, put cam lock(B) into plate 12,13 and turn clockwise to tighten as shown.

6



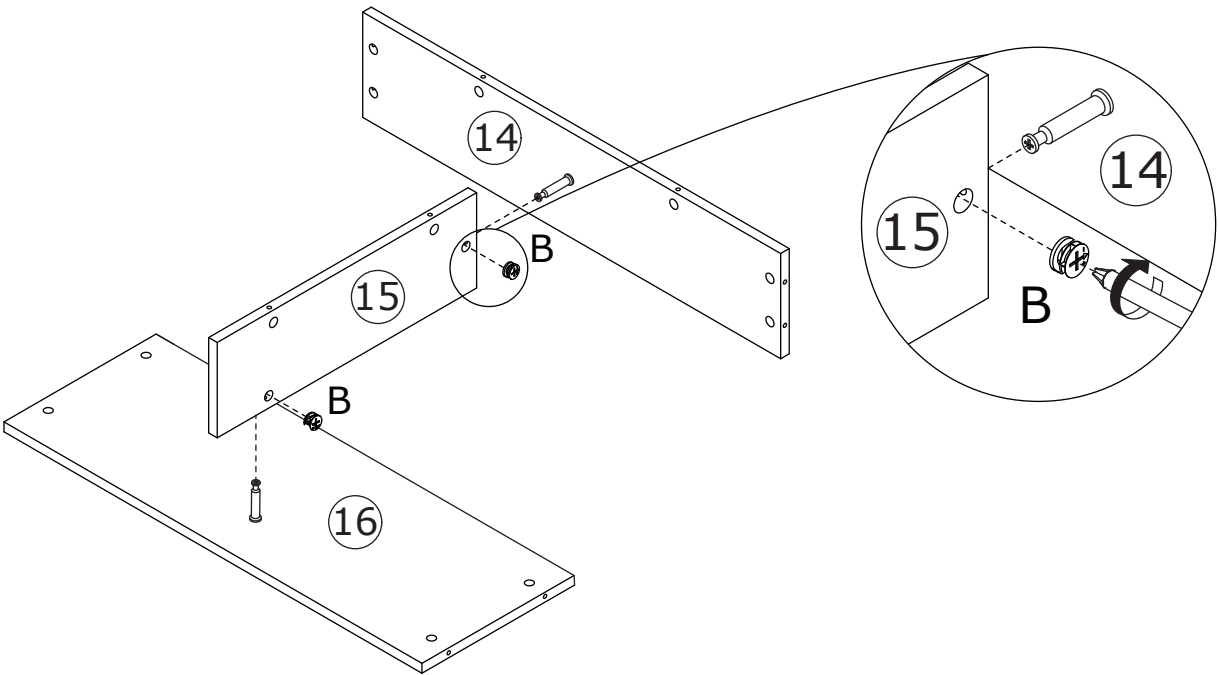
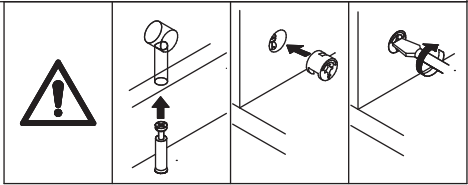
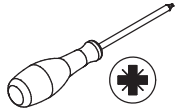
Slide plate 11 along available grooves as shown.

7



Insert quickfit screw(A) into plate 14 and 16 with a screwdriver as shown.

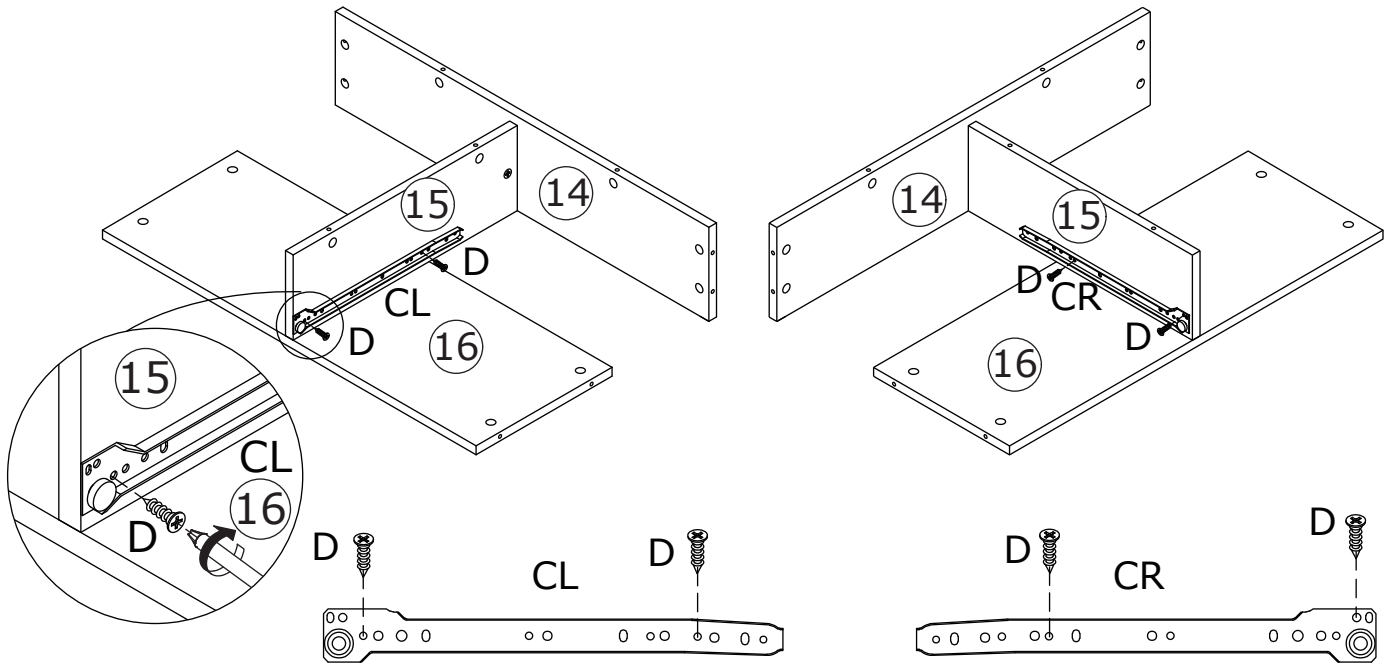
8



Connect plate 14, 15 and 16 together, put cam lock(B) into plate 15 and turn clockwise to tighten as shown.


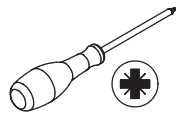
9

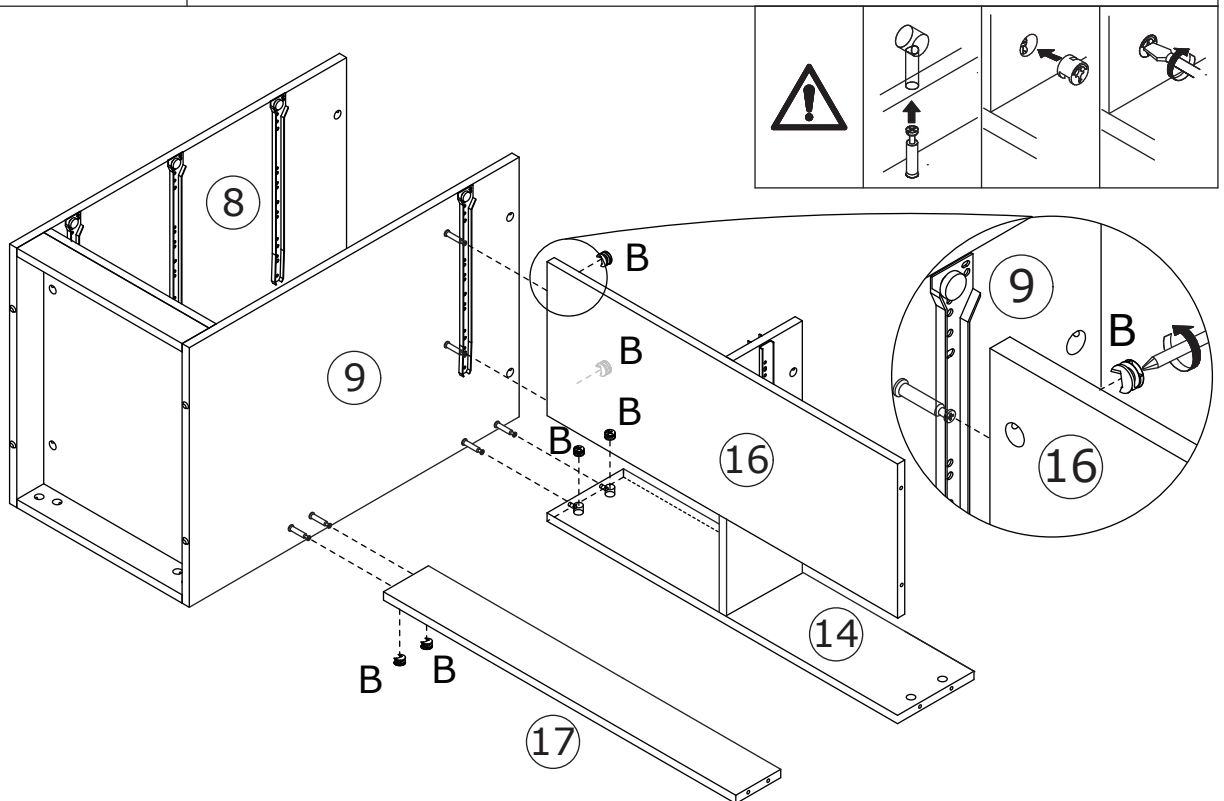
D x 4  CRD0312A	G x 2  CL CR WX0814A	
--	---	---



Fix slide rail(CL) and (CR) to a same plate 15 with screw(D) as shown.

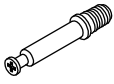


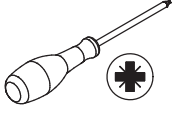
10

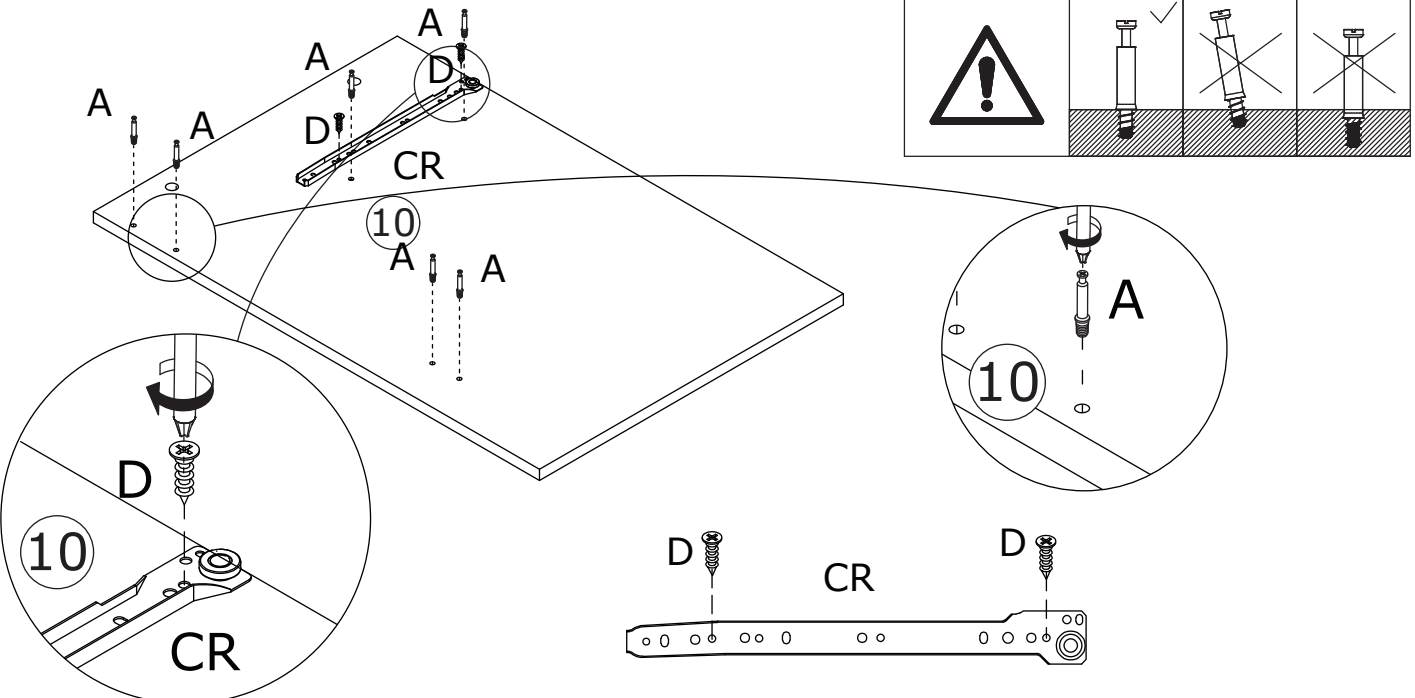
B x 6  CRB1295A	
--	---



Attach plate 17 and the component to plate 9, put cam lock(B) into plate 14,16,17 and turn clockwise to tighten as shown.

11

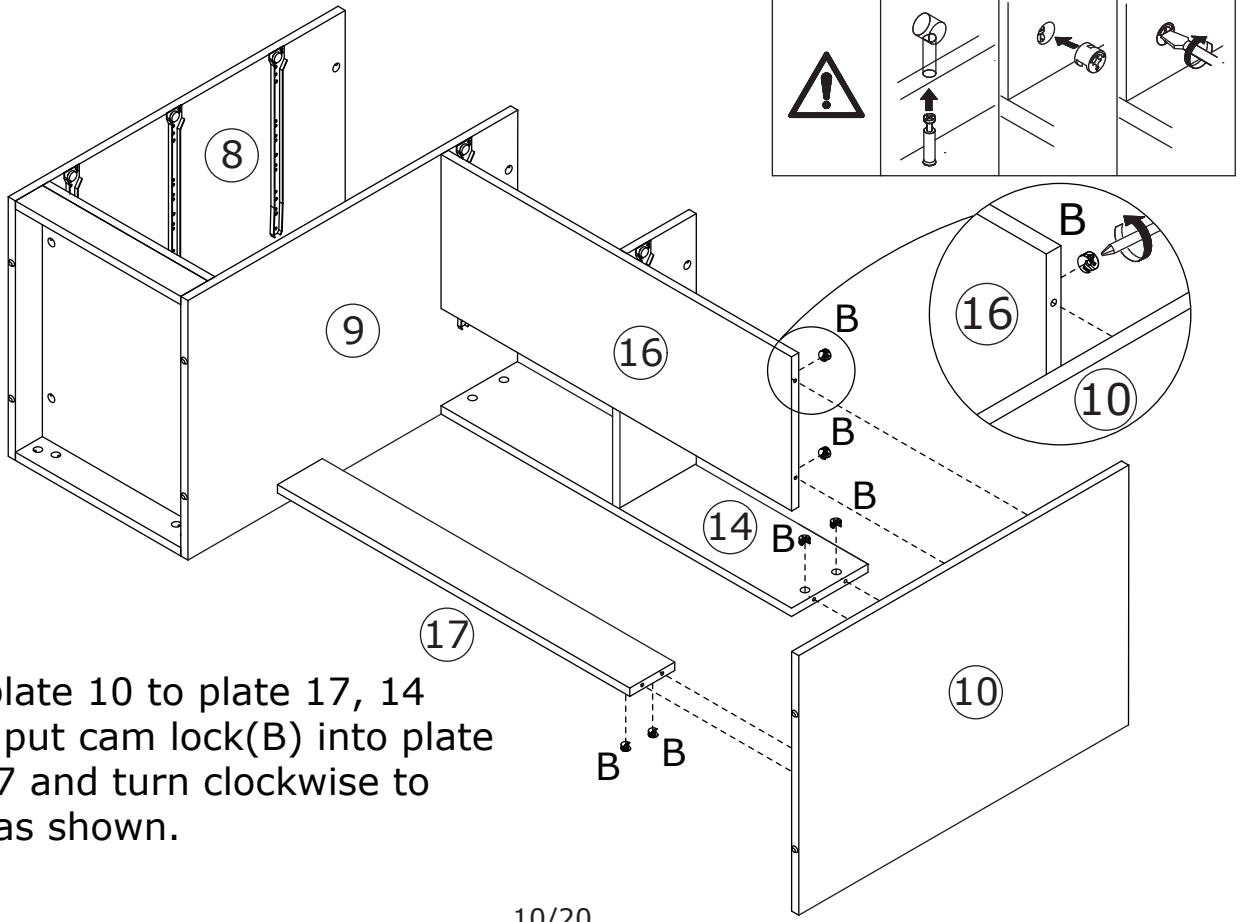
A x 6  CRA0635A	D x 2  CRD0312A	G x 1  CR	
--	--	--	---



Insert quickfit screw(A) into plate 10 and fix slide rail(CR) with screw(D) as shown.

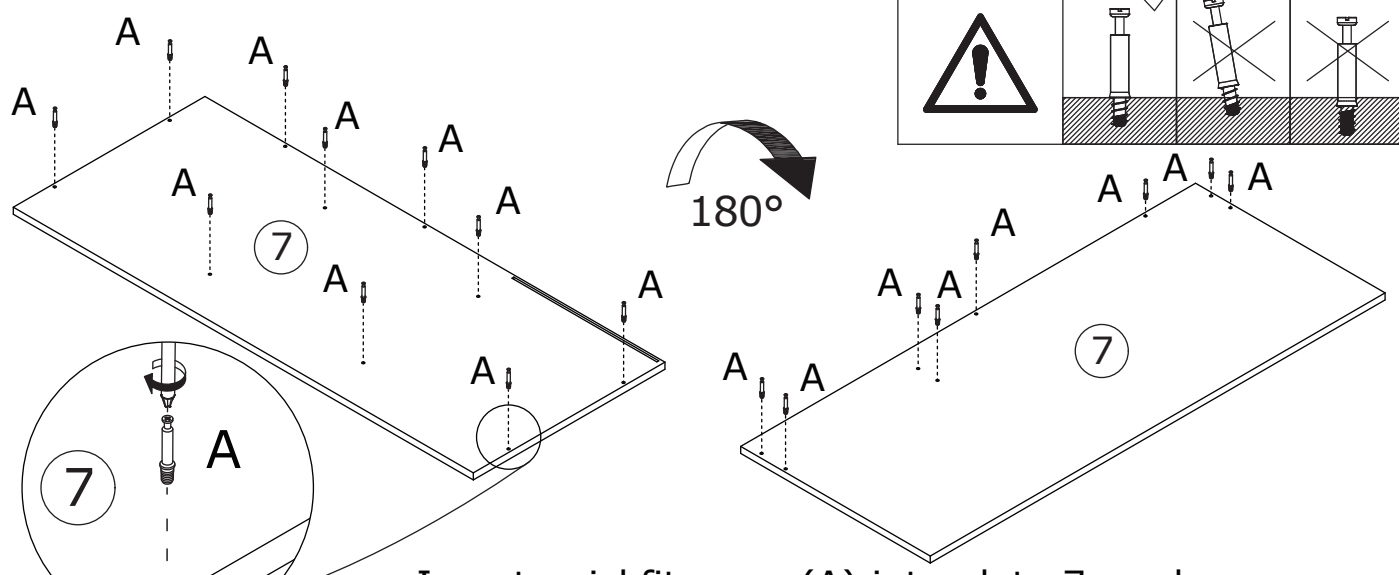
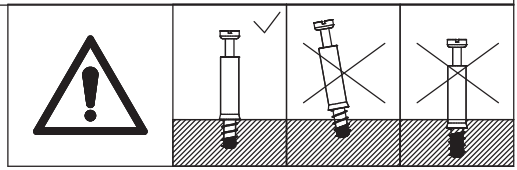
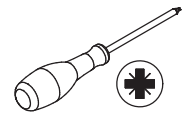
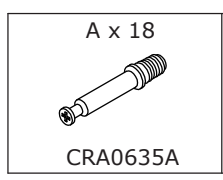
12

B x 6  CRB1295A	
--	---



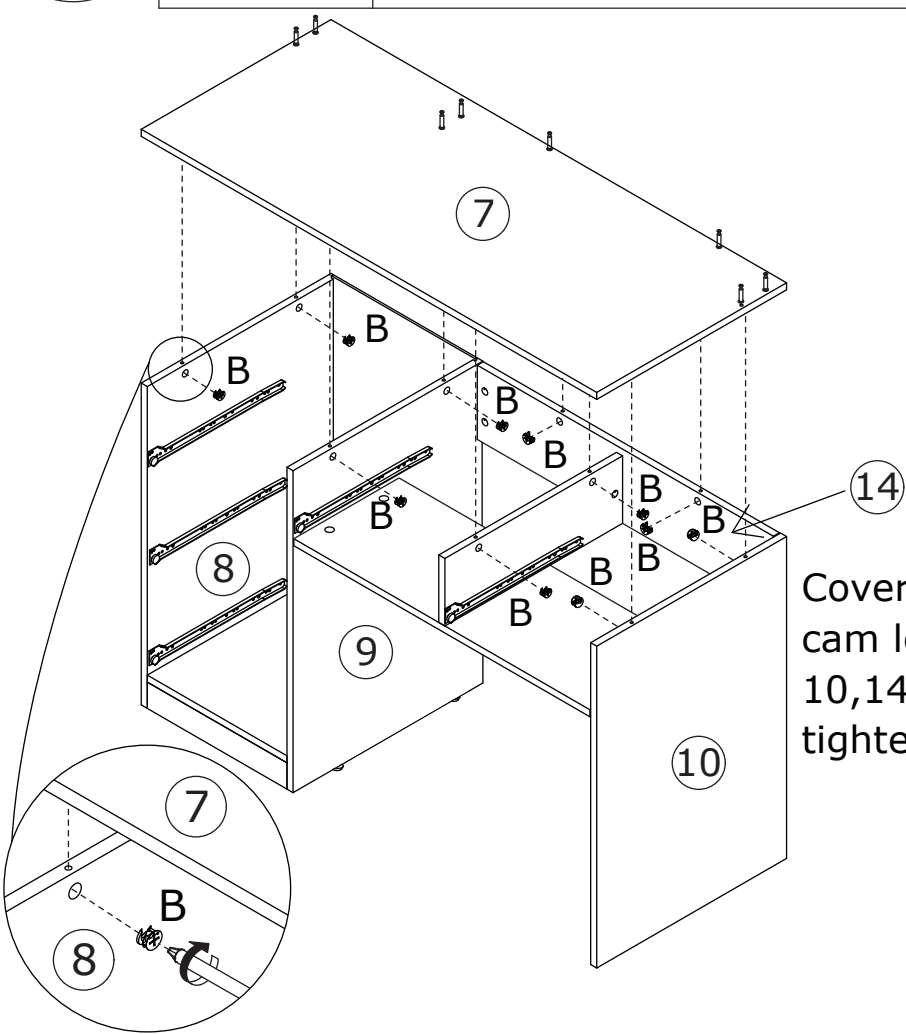
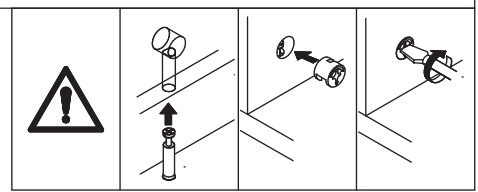
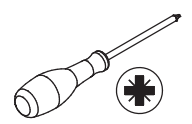
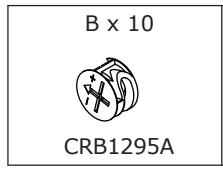
Attach plate 10 to plate 17, 14 and 16, put cam lock(B) into plate 14,16,17 and turn clockwise to tighten as shown.

13



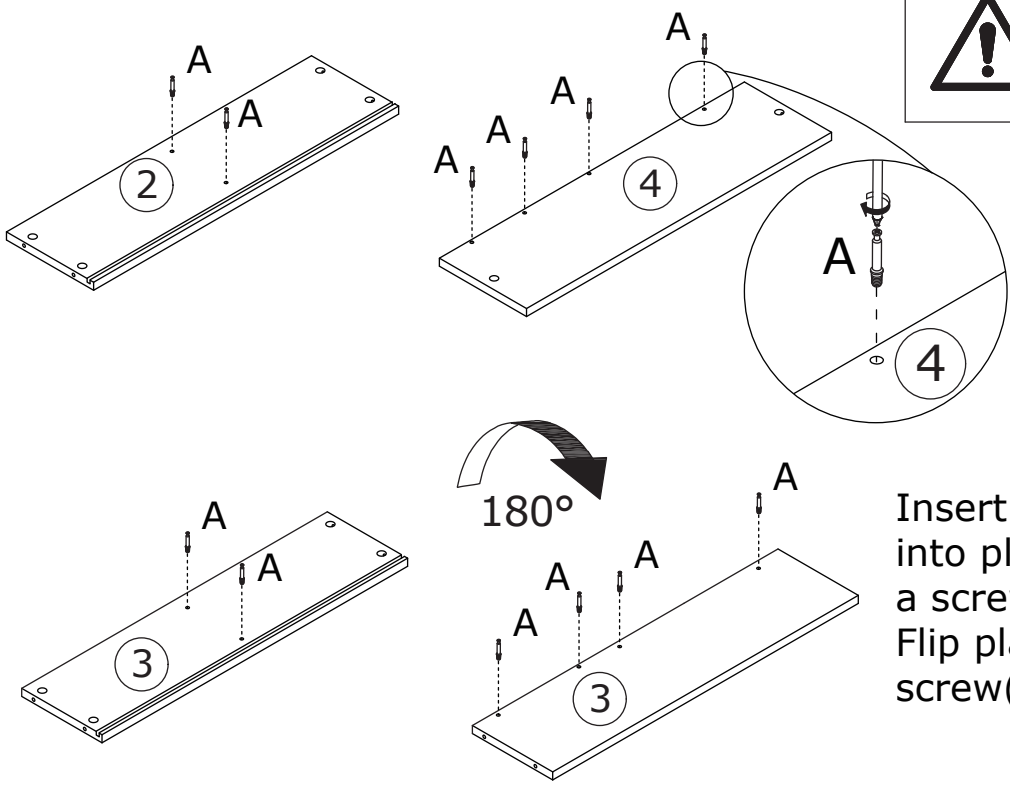
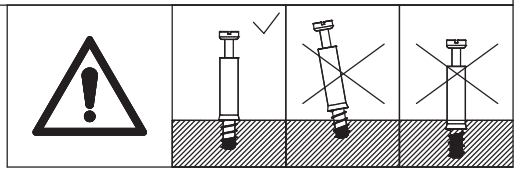
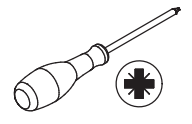
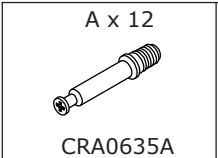
Insert quickfit screw(A) into plate 7 as shown. Flip the plate, insert quickfit screw(A) as well.

14



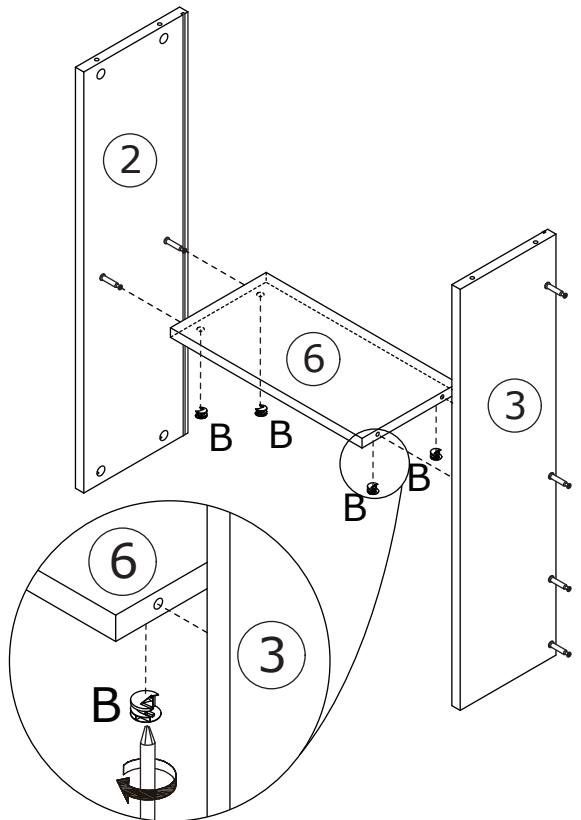
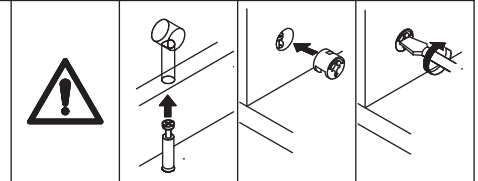
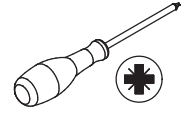
Cover plate 7 to the top, put cam lock(B) into plate 8,9,15, 10,14 and turn clockwise to tighten as shown.

15



Insert quickfit screw(A) into plate 2, 3 and 4 with a screwdriver as shown. Flip plate 3, insert quickfit screw(A) as well.

16



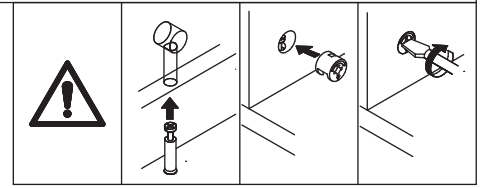
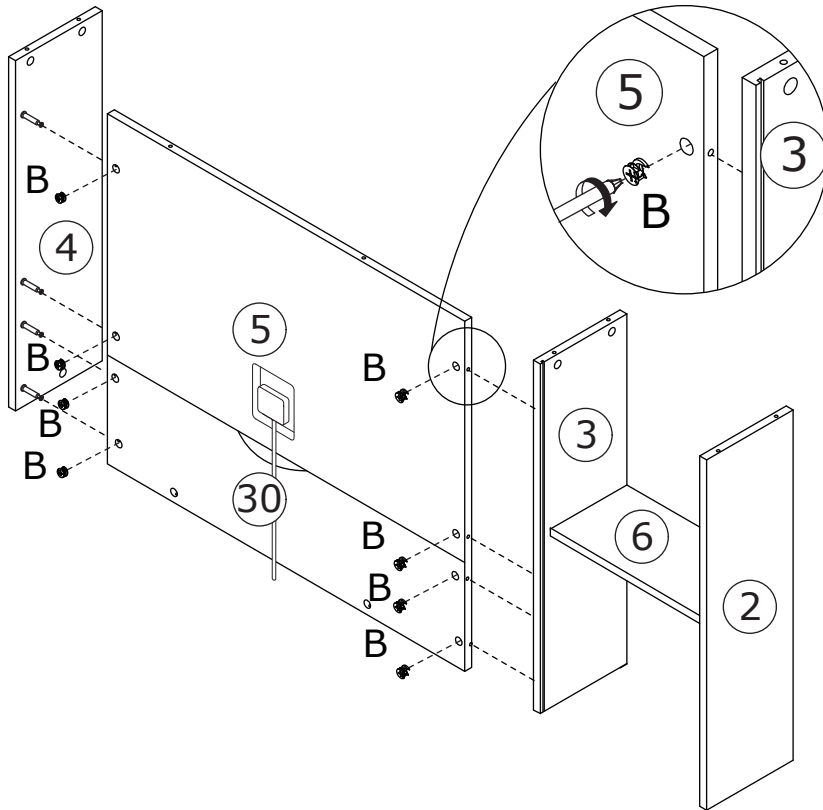
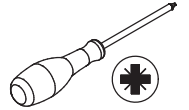
Connect plate 2 and 3 with plate 6, put cam lock(B) into plate 6 and turn clockwise to tighten as shown.

17

B x 8



CRB1295A



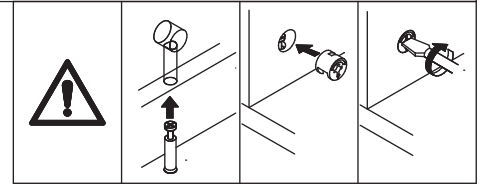
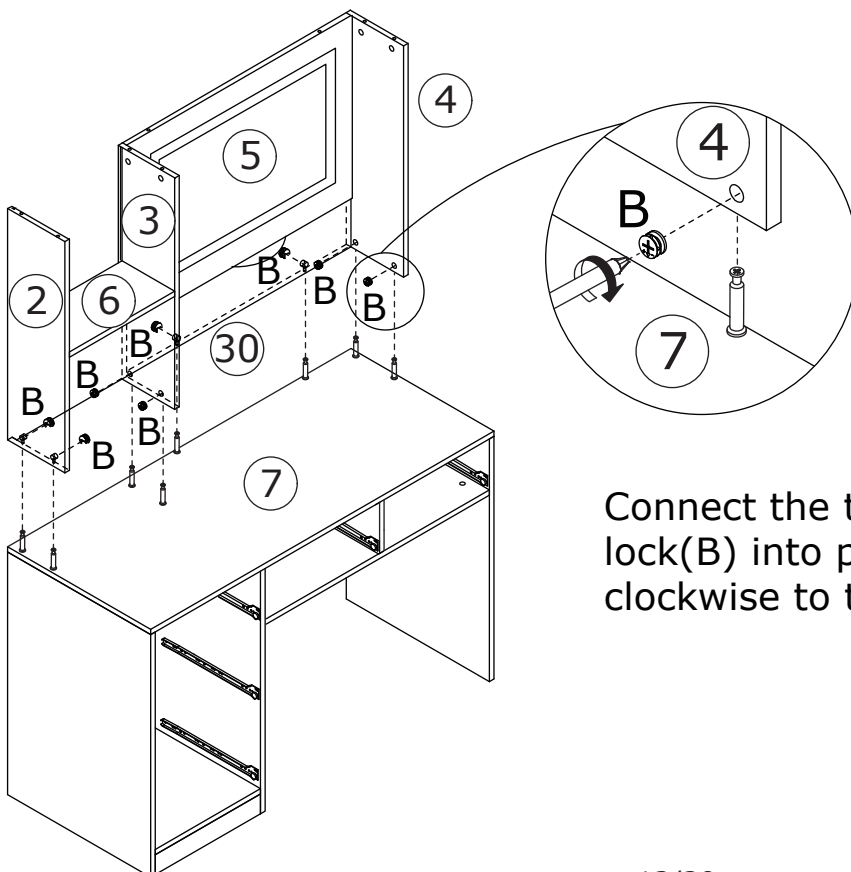
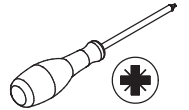
Connect plate 3 and 4 with plate 5 and 30, put cam lock(B) into plate 5,30 and turn clockwise to tighten as shown.

18

B x 8

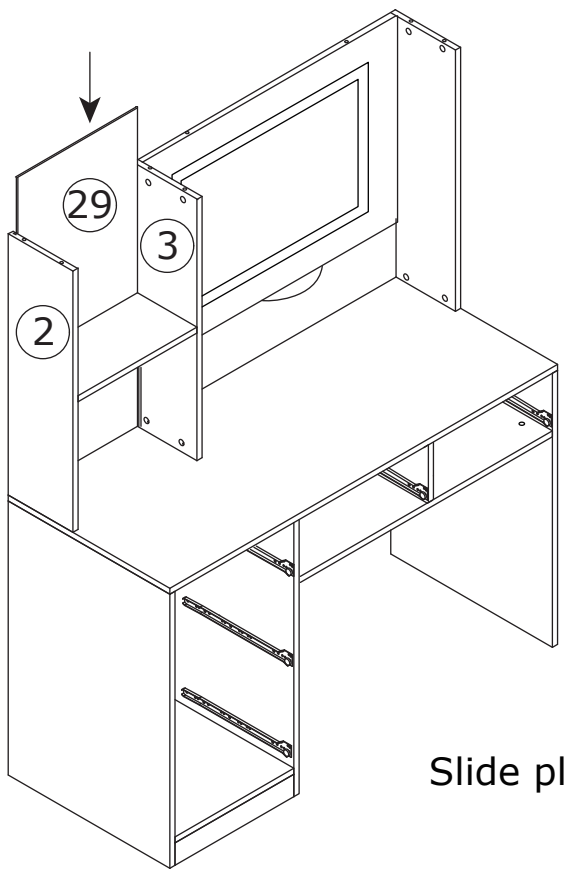
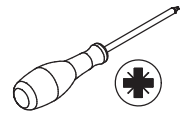


CRB1295A



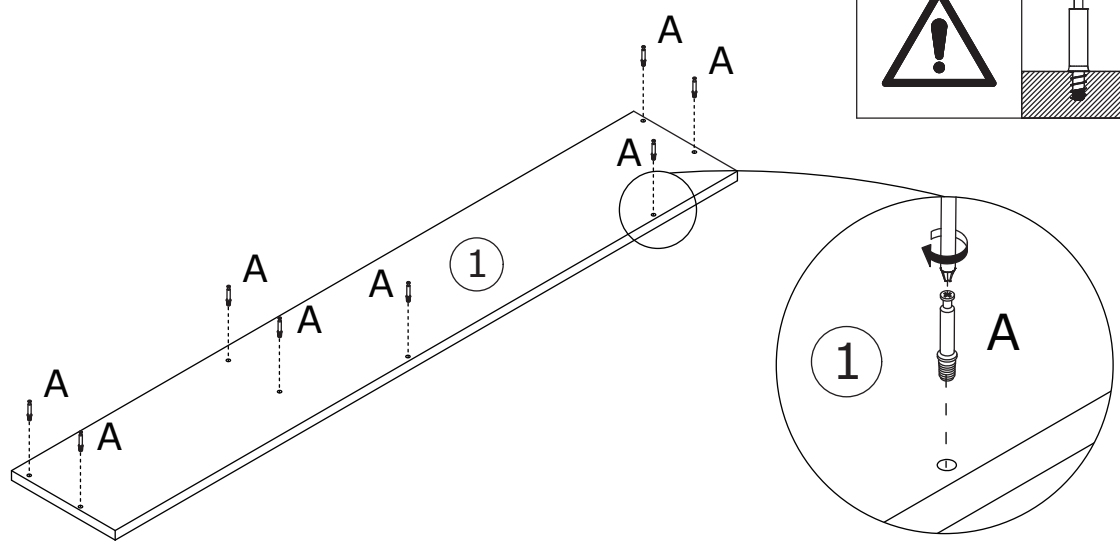
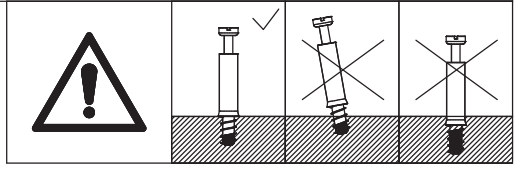
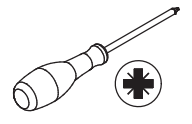
Connect the two components, put cam lock(B) into plate 2,3,30,4 and turn clockwise to tighten as shown.

19



Slide plate 29 along grooves as shown.

20



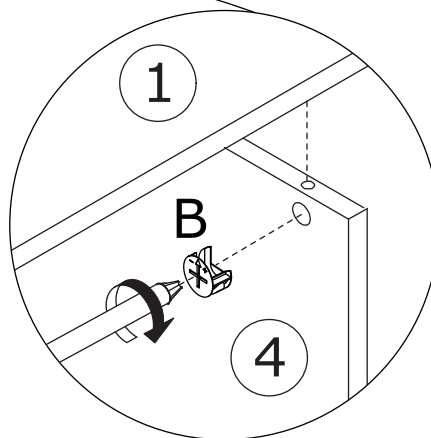
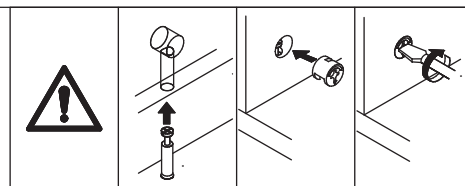
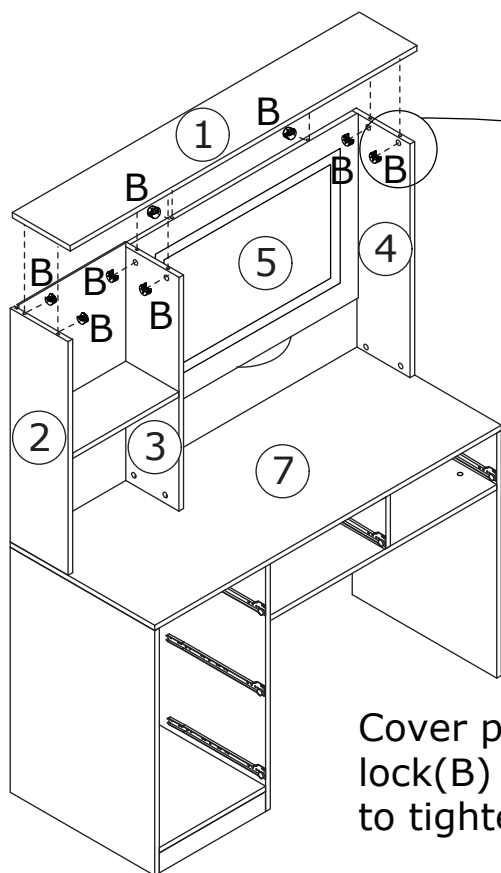
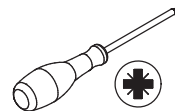
Insert quickfit screw(A) into plate 1 with a screwdriver as shown.

21

B x 8



CRB1295A



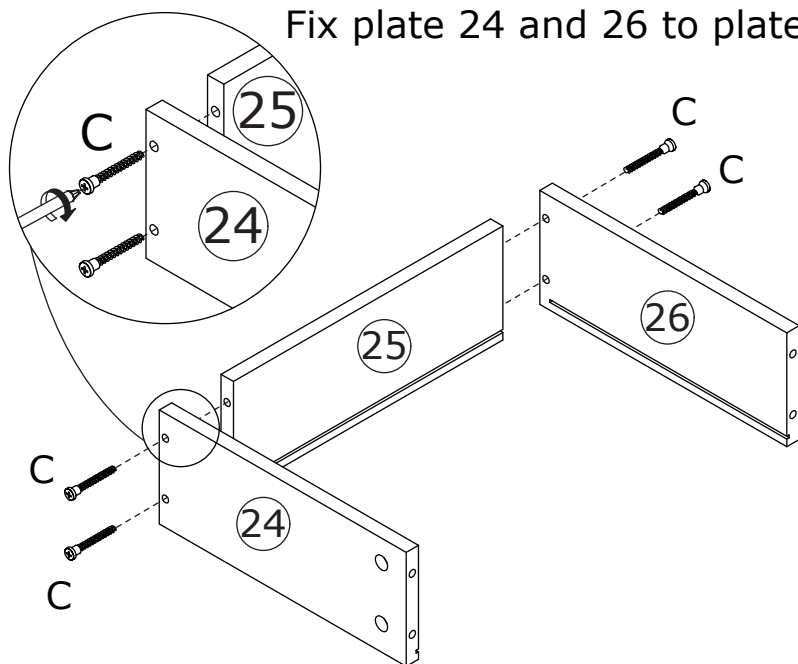
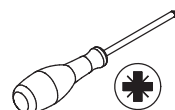
Cover plate 1 to plate 2,3,5 and 4, put cam lock(B) into plate 2,3,5,4 and turn clockwise to tighten as shown.

22

C x 12



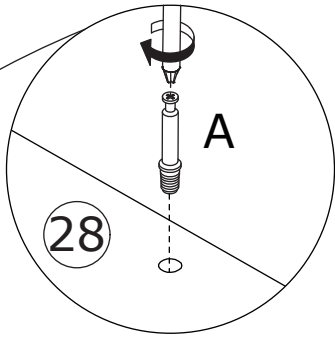
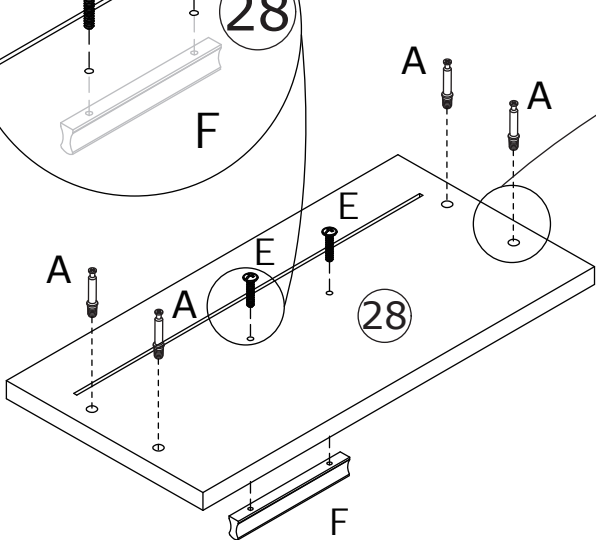
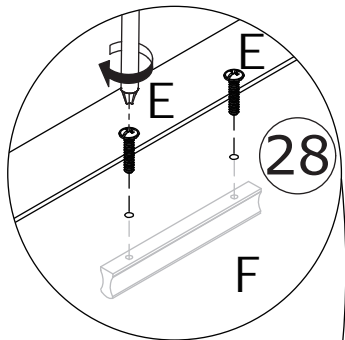
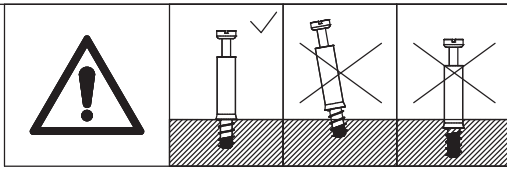
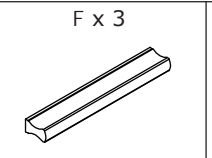
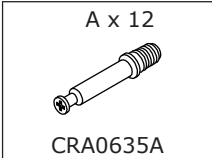
CRC0540A



Fix plate 24 and 26 to plate 25 with screw(C) as shown.

x3

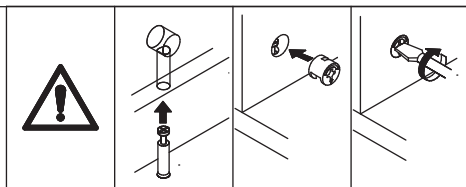
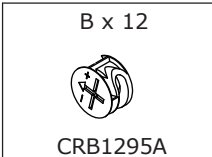
23



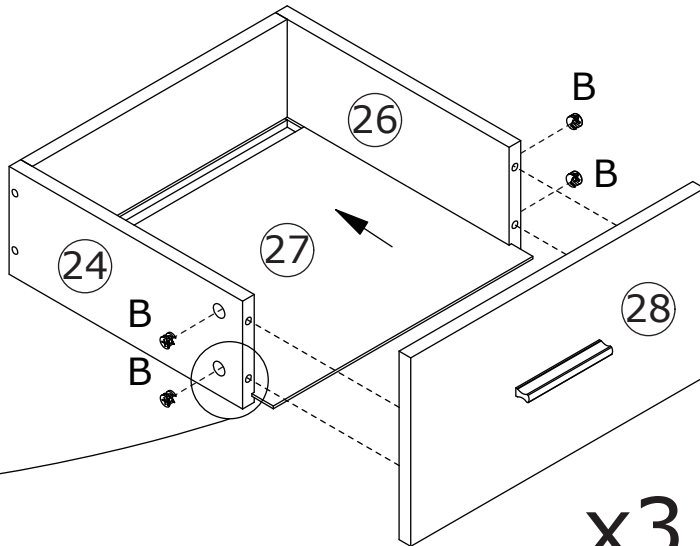
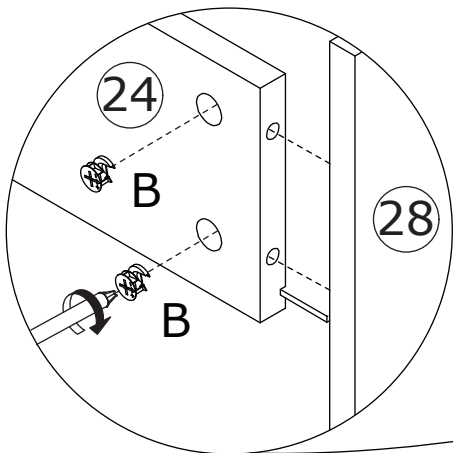
x3

Insert quickfit screw(A) into plate 28 as shown.
Fix handle(F) with screw(E) as shown.

24

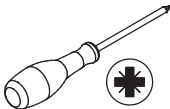


Slide plate 27 along grooves, attach plate 28 and turn cam lock(B) clockwise to tighten as shown.

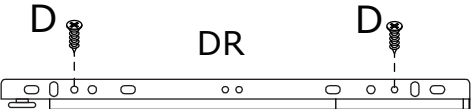
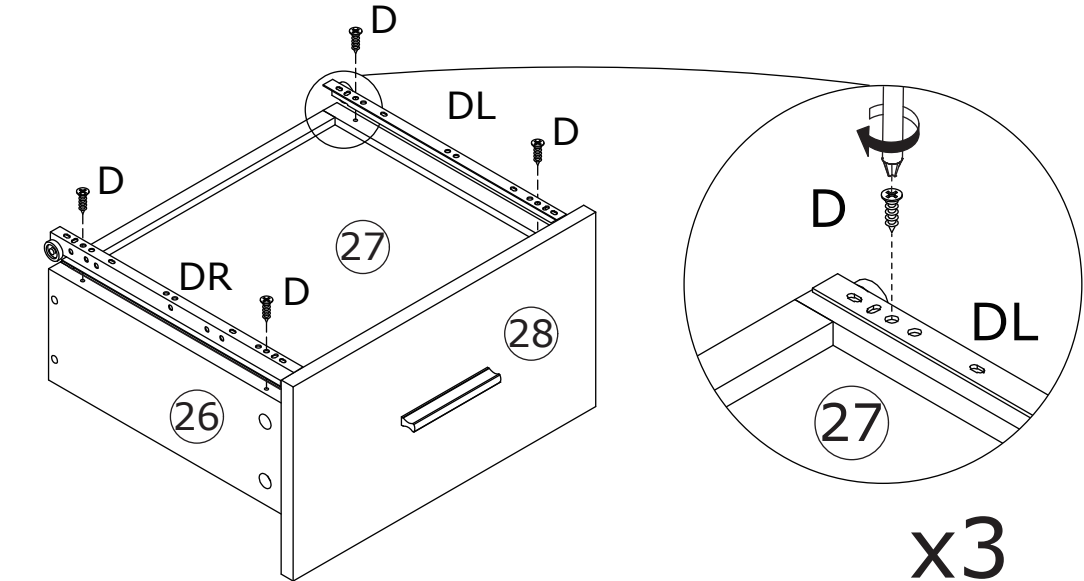


x3

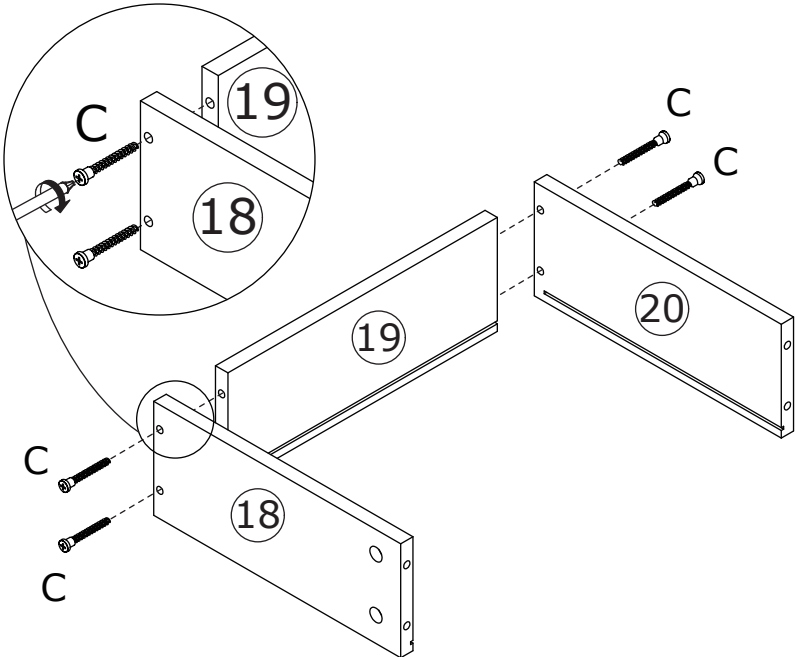
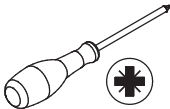
25



Fix runner(DL) and (DR) to plate 24 and 26 respectively with screw(D) as shown.

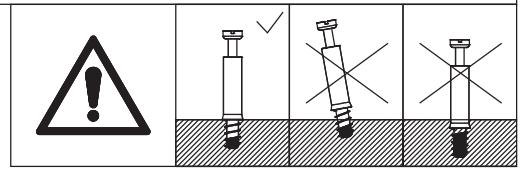
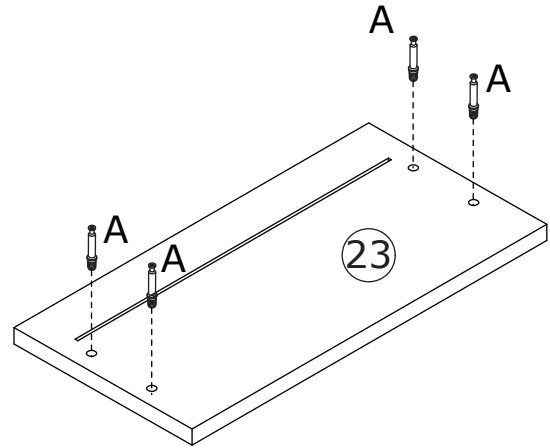
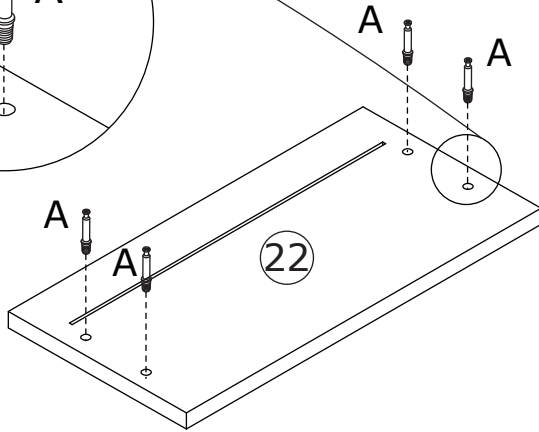
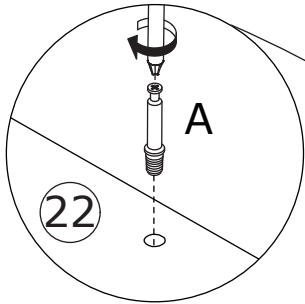
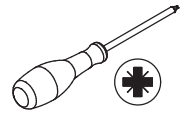
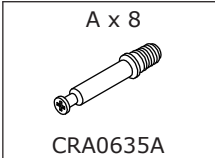


26



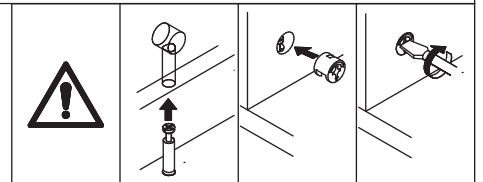
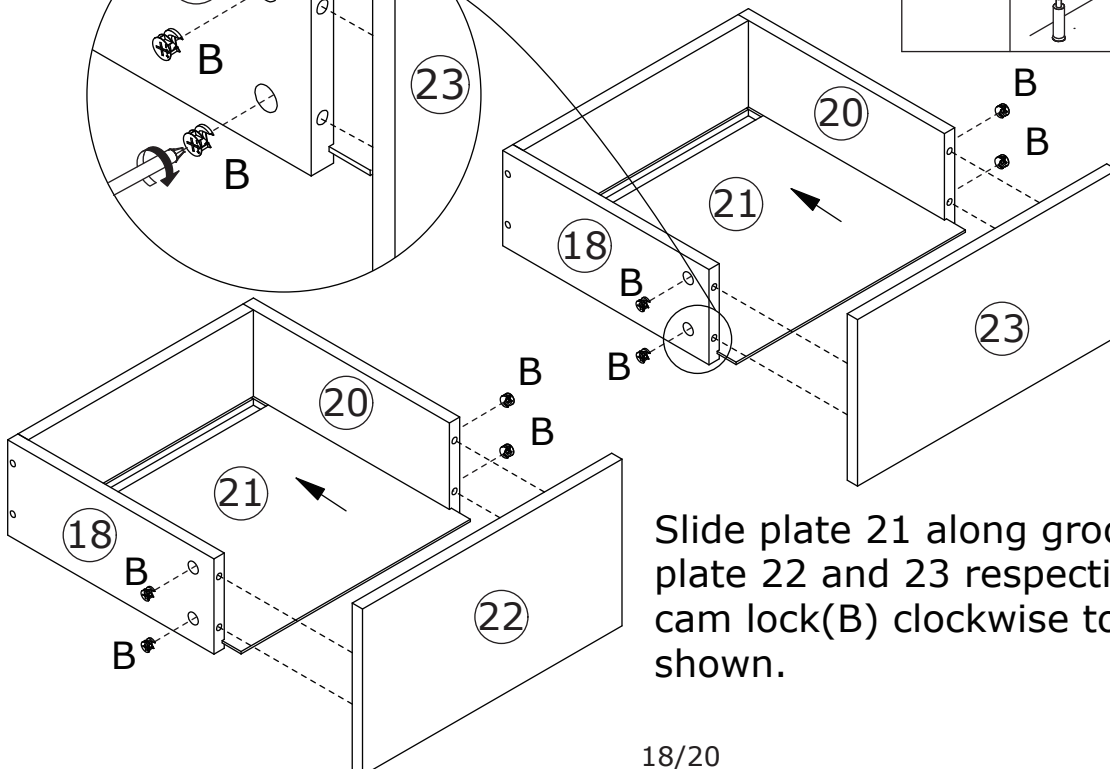
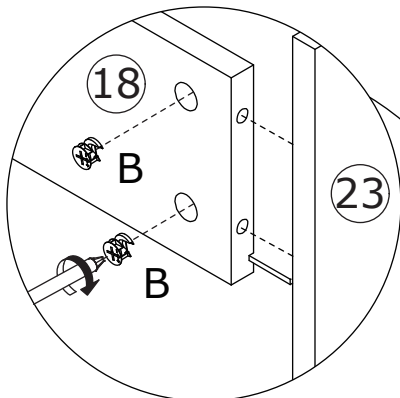
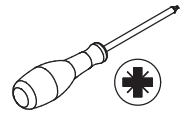
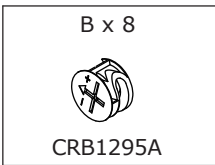
Fix plate 18 and 20 to plate 19 with screw(C) as shown.

27



Insert quickfit screw(A) into plate 22 and 23 as shown.

28

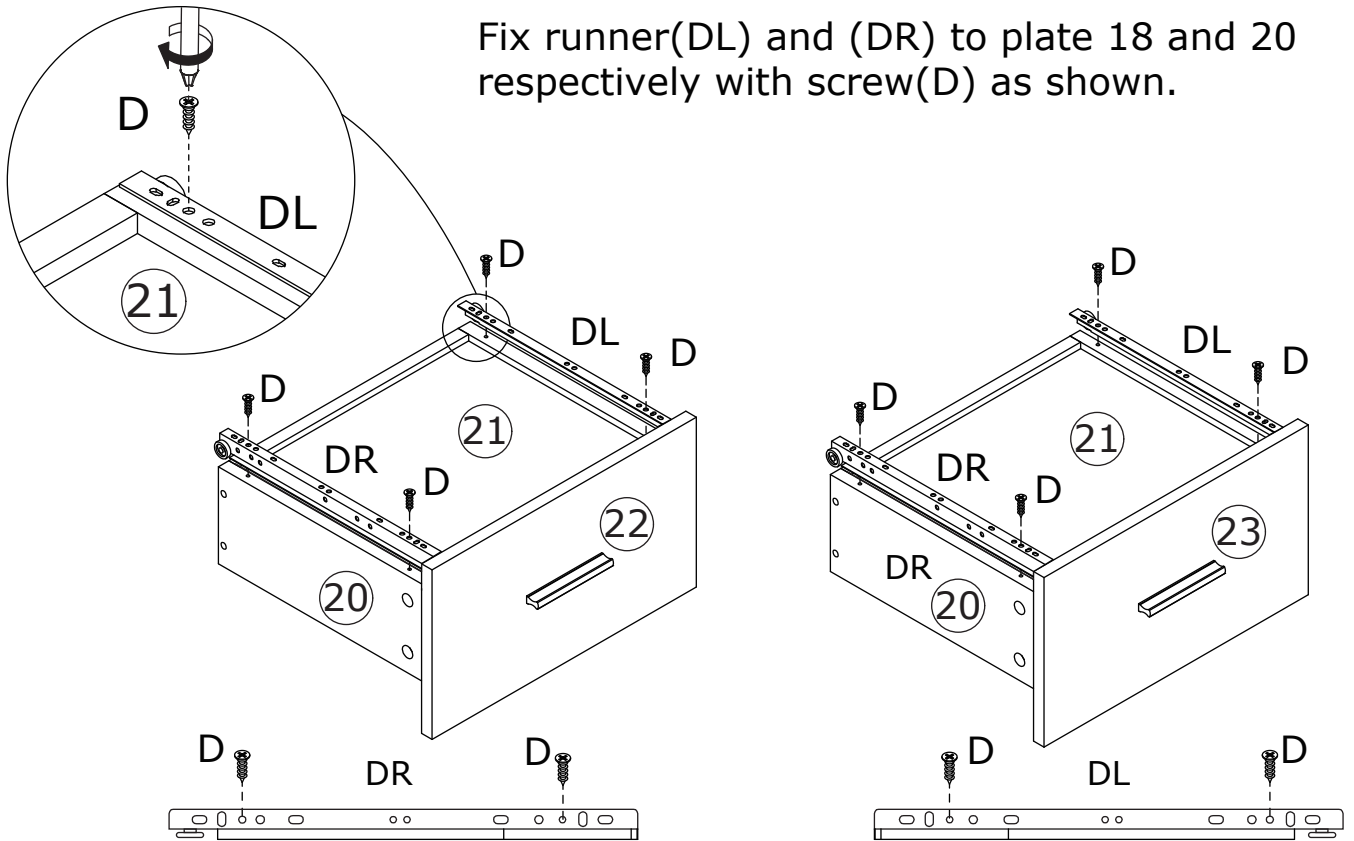


Slide plate 21 along grooves, attach plate 22 and 23 respectively and turn cam lock(B) clockwise to tighten as shown.

29

D x 8  CRD0312A	G x 4  DL DR WX0814A	
--	---	---

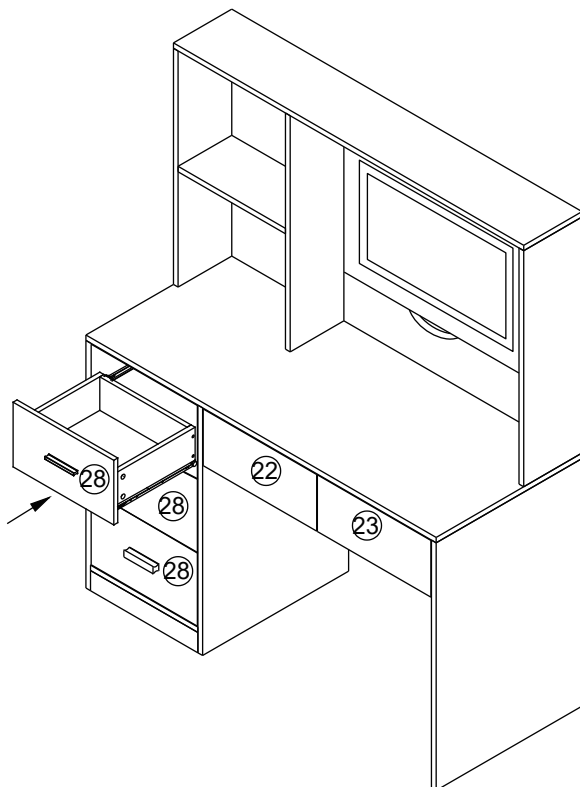
Fix runner(DL) and (DR) to plate 18 and 20 respectively with screw(D) as shown.



30

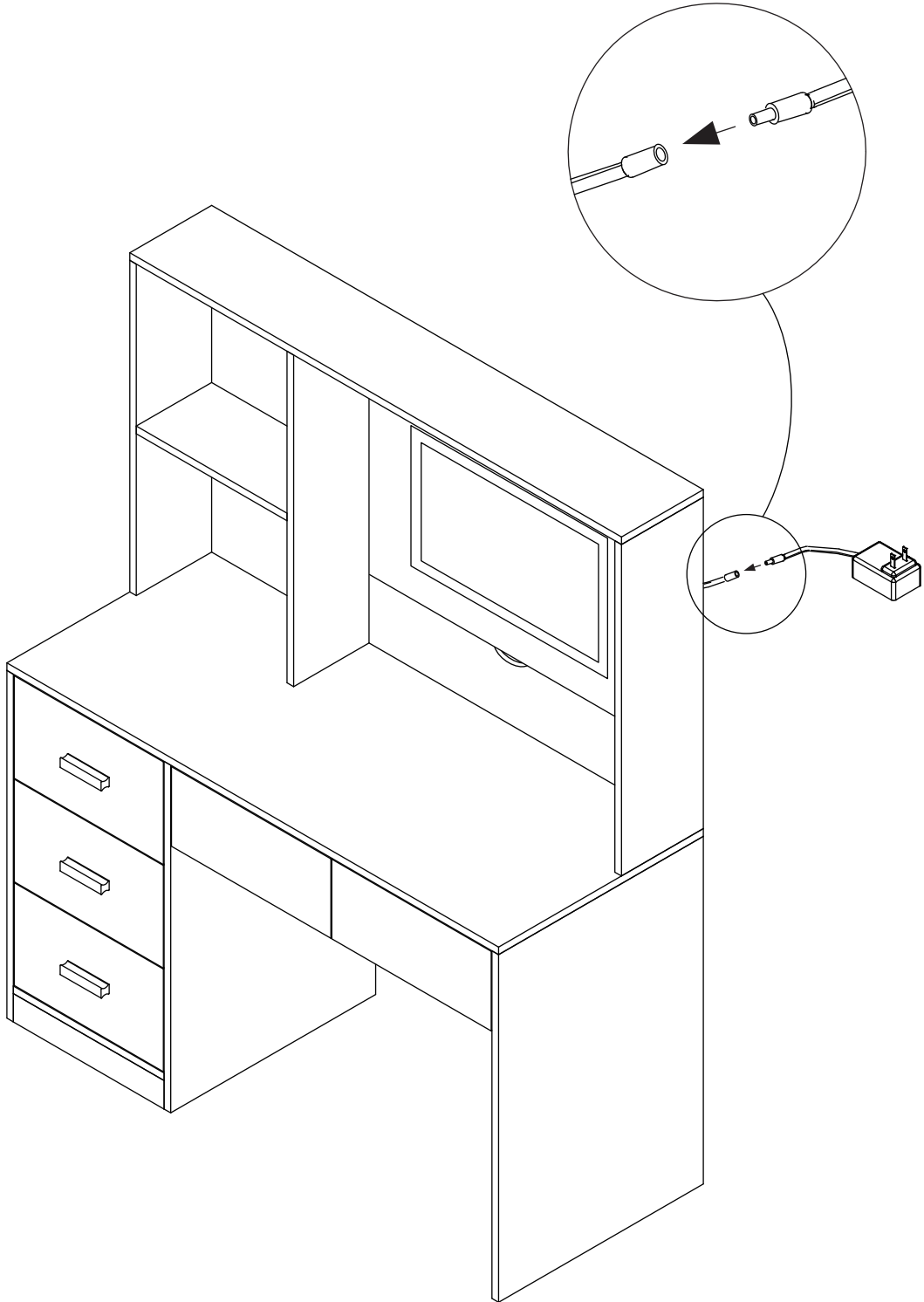
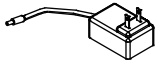


Align rails, slide drawers into corresponding positions.



31

Power plug x 1



WARRANTY

WARRANTY CLAIMS

- There is a 30-day warranty for broken furniture or any other problems that do not work properly. The warranty will start from the date of purchase which must be verified by proof of purchase.
- Before making a claim, we may be able to answer your query, simply call us. Please leave your purchase order number, along with some details of the problem, if you want a replacement part. We will arrange within 48 hours. If there is out of stock, we will reply with a shipping date.
- The product must be used in accordance with the instructions provided. For health reasons.
- For other reasons, if the furniture needs to be returned, it must be cleaned and dried and operated within 30 days of receipt.

Type of Warranty Claim

- Failure to follow the furniture instructions will invalidate the warranty. Attention please.
- Does not include damage during installation, but includes damage during transportation.

Scope of responsibility

- Shall not bear any responsibility for misuse or user damage and / or loss of parts during the installation of furniture.
- After using, the damage and scratches of the furniture are not covered by the warranty.

The Warranty Relates to All Bought in The Us and Covers The Following Areas

- Sheet parts: 1 month from the date of purchase.
- Electrical parts: 1 month from the date of purchase.