



# Manual For Self Watering Rolling Planter

© Copyright 2024 Vego Garden Inc.



## Room to grow

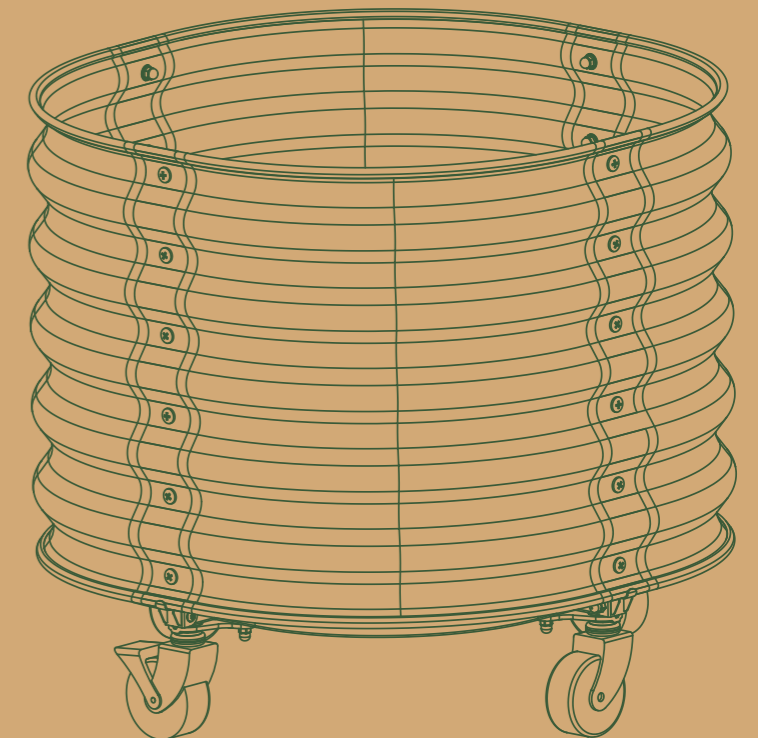


Assembly Videos

Room to grow.



Assembly Videos



## Contact Us

+1 (866) 597-1888

Vego Garden Academy

hello@vegogarden.com

vegogarden.com

vego\_garden

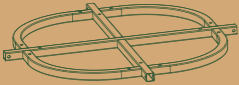




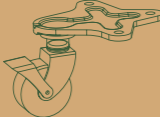
Houston, TX

# Parts List - Single Pack

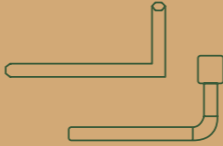
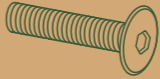


## Metal Raised Bed Package

|   |   |   |   |
|---|---|---|---|
|  <p>C10<br/>Corner Pan<br/><b>X4</b></p>           |  <p>SE Safety<br/>Edging<br/><b>X1</b></p> |  <p>B1 Bolt<br/>M6X10<br/><b>X24</b></p> |  <p>FCN Flange<br/>Cap Nut<br/><b>X8</b></p> |
|  <p>FSN Flange<br/>Standard Nut<br/><b>X16</b></p> |   |   |   |

## Rolling Frame Package

|   |  |  |   |
|---|--|--|---|
|  <p>F1 Frame<br/><b>X1</b></p>   |  <p>WCB Wicking<br/>Cell Bottom<br/><b>X1</b></p> |  <p>WCT Wicking<br/>Cell Top<br/><b>X1</b></p> |  <p>FA Frame<br/>Adaptor<br/><b>X4</b></p> |
|  <p>C1 Casters<br/><b>X2</b></p> |  <p>LC Locking<br/>Casters<br/><b>X2</b></p>      |  |   |

## Tools & Hardware

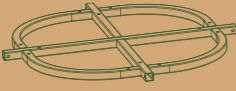

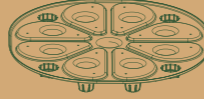


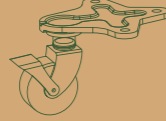
|   |   |   |  |
|---|---|---|--|
|  <p>HK Hex Key &amp;<br/>LW L Wrench<br/><b>X1</b></p> |  <p>B2 Bolt<br/>M6X32<br/><b>X16</b></p> |  <p>CN Cap Nut<br/>M6<br/><b>X16</b></p> |  <p>MW Metal<br/>Washers<br/><b>X12</b></p> |
|---|---|---|--|

# Parts List - Twin Pack

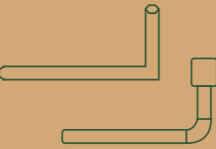



## Metal Raised Bed Package

|   |   |   |  |
|---|---|---|--|
|  <p>C10<br/>Corner Pan<br/><b>X8</b></p>           |  <p>SE Safety<br/>Edging<br/><b>X2</b></p> |  <p>B1 Bolt<br/>M6X10<br/><b>X48</b></p> |  <p>FCN Flange<br/>Cap Nut<br/><b>X16</b></p> |
|  <p>FSN Flange<br/>Standard Nut<br/><b>X32</b></p> |   |   |  |

## Rolling Frame Package

|  |   |   |  |
|--|---|---|--|
|  <p>F1 Frame<br/>X2</p>   |  <p>WCB Wicking Cell Bottom<br/>X2</p> |  <p>WCT Wicking Cell Top<br/>X2</p> |  <p>FA Frame Adaptor<br/>X8</p> |
|  <p>C1 Casters<br/>X4</p> |  <p>LC Locking Casters<br/>X4</p>      |   |  |

## Tools & Hardware

|  |  |  |   |
|--|--|--|---|
|  <p>HK Hex Key &amp; LW L Wrench<br/>X1</p> |  <p>B2 Bolt M6X32<br/>X32</p> |  <p>CN Cap Nut M6<br/>X32</p> |  <p>MW Metal Washers<br/>X24</p> |
|--|--|--|---|

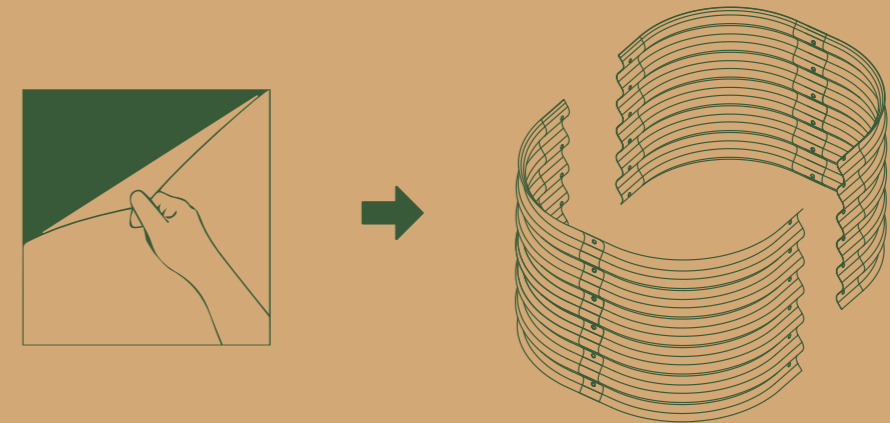


Assembly Videos

# Assembly Guide

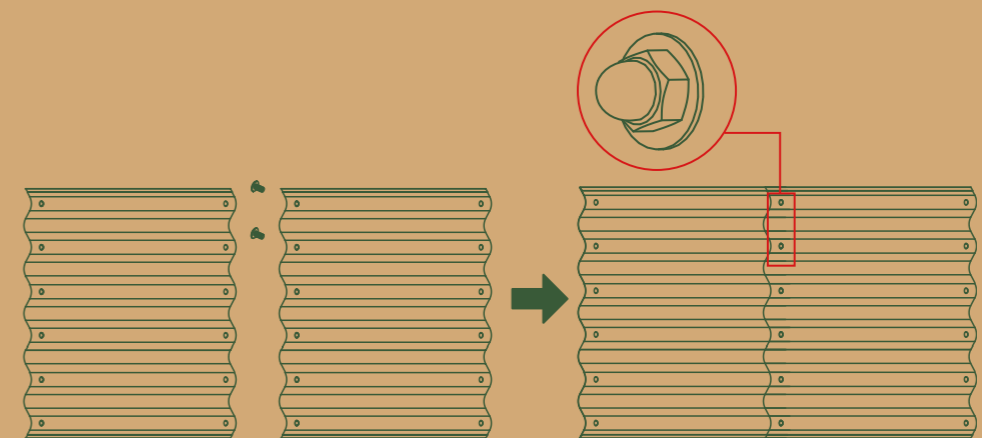
## 1 Remove The Film

Remove the protective film from all panels, and lay panels on a flat surface according to the configuration you choose. Ensure corner panels are installed on the outside of straight panels.



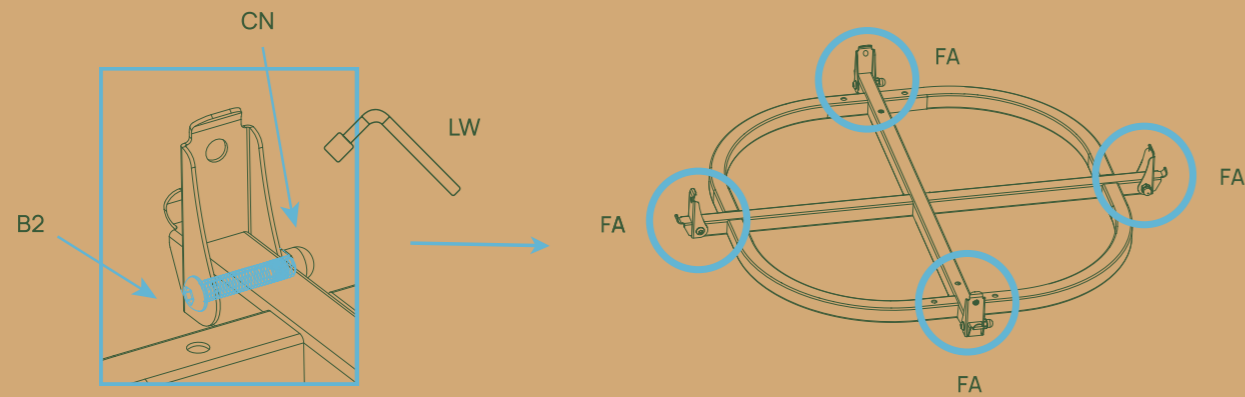
## 2 Connect Panels

Connect panels by installing cap nuts in the top two rows of holes. Leave the other rows of holes empty for now.



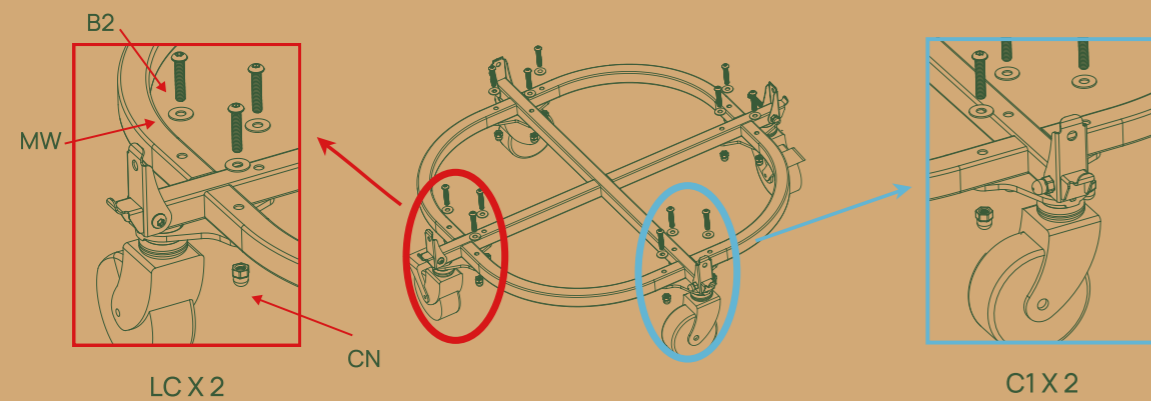
### 3 Attach The Adapter To The Frame

Using the tools provided as well as bolts (B2) and cap nuts (CN,) attach 6 frame adapters (FA) to frame at each end, seen below in BLUE, and tighten.



### 4 Connect Casters

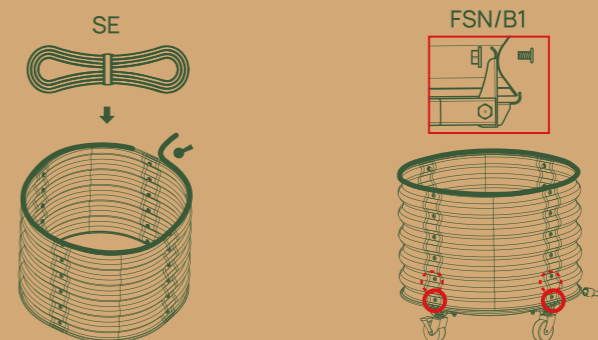
Attach the casters (C1,LC) to the bottom of the legs making sure to place matching caster types on opposite corners as shown in the RED and BLUE below. Secure with bolt (B2), metal washer (MW) and Cap Nut (CN). Tighten using the tools provided.



### 5 Install Garden Bed

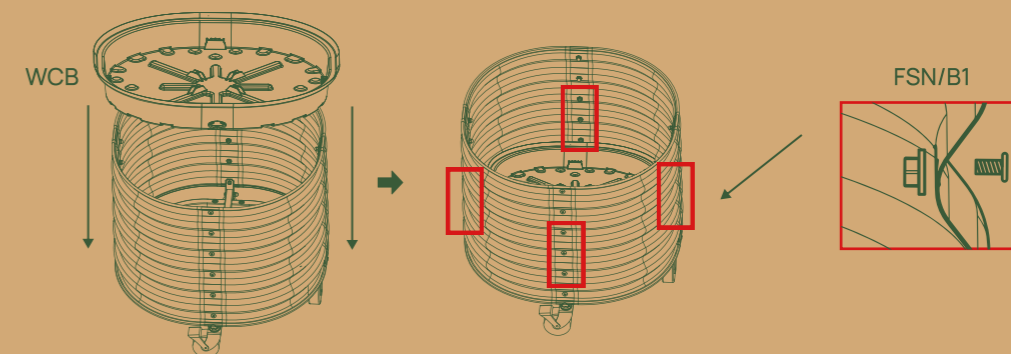
Attach safety edging (SE) to the top edges of the garden bed.

Finally, place the bed on the frame, with the bed resting between the edges of the adapter. Secure the bed through the adapters using bolts (B1) and flange standard nuts (FSN.)



### 6 Install The Wicking Cell Bottoms

Place the wicking cell bottoms into the base of the bed, on top of the frame. Push the bottom so that it is flush with the frame underneath. Next, install all remaining hardware into the garden bed.



### 7 Install The Wicking Cell Top

Finally, set the wicking cell tops (WCT) into the bottoms. Now your Rolling Self-Watering Garden Bed is complete! Happy Gardening!

