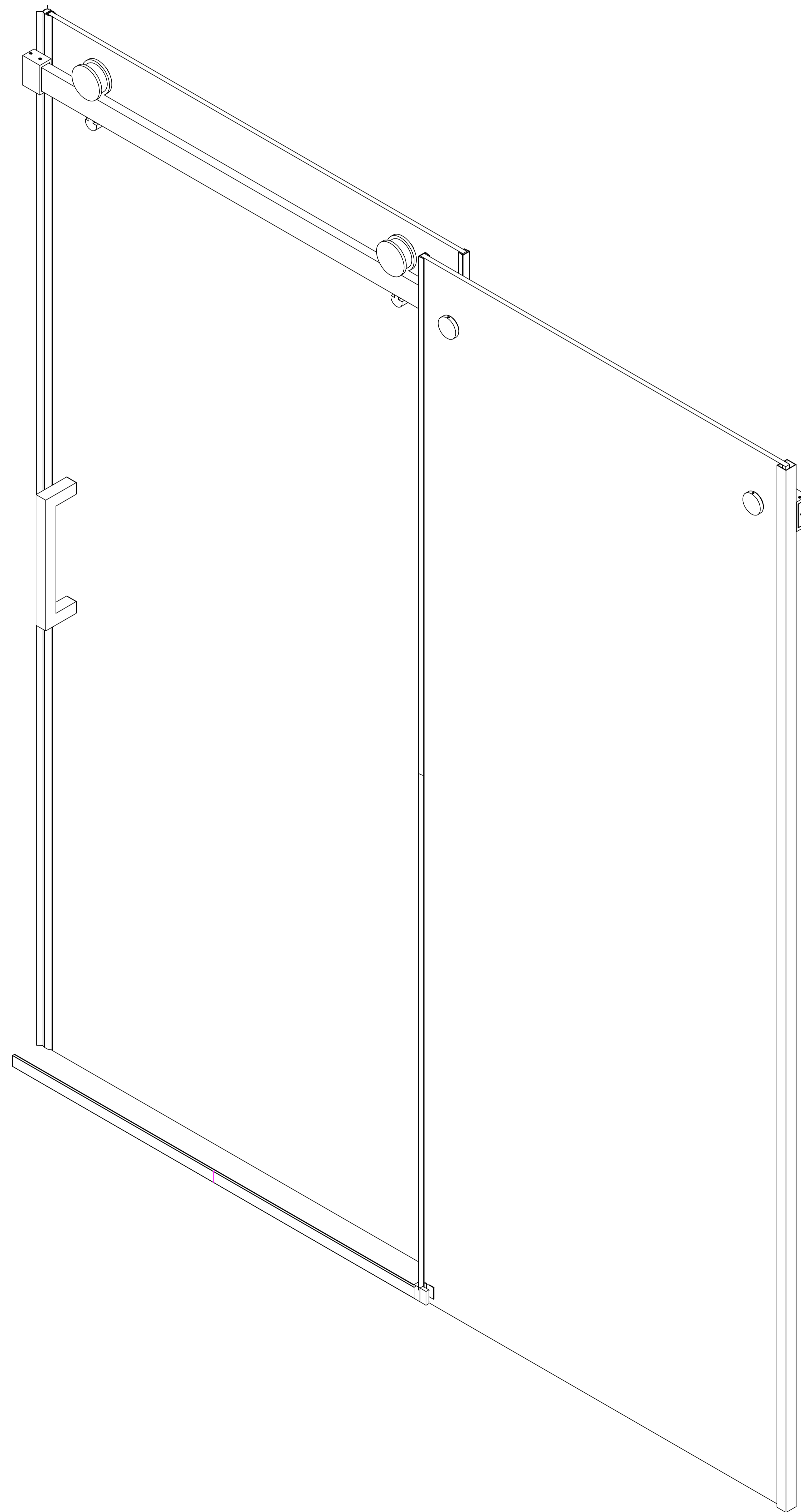


INSTALLATION MANUAL - INSTALLATION GUIDE



Questions, problems, missing parts?

Before returning to your retailer, call our customer service department at first

SAFETY INFORMATION

CAUTION

Please carefully read the following important safety information before handling or installing this shower. There is a risk of serious injury while handling this product. To minimize these risks, please note:

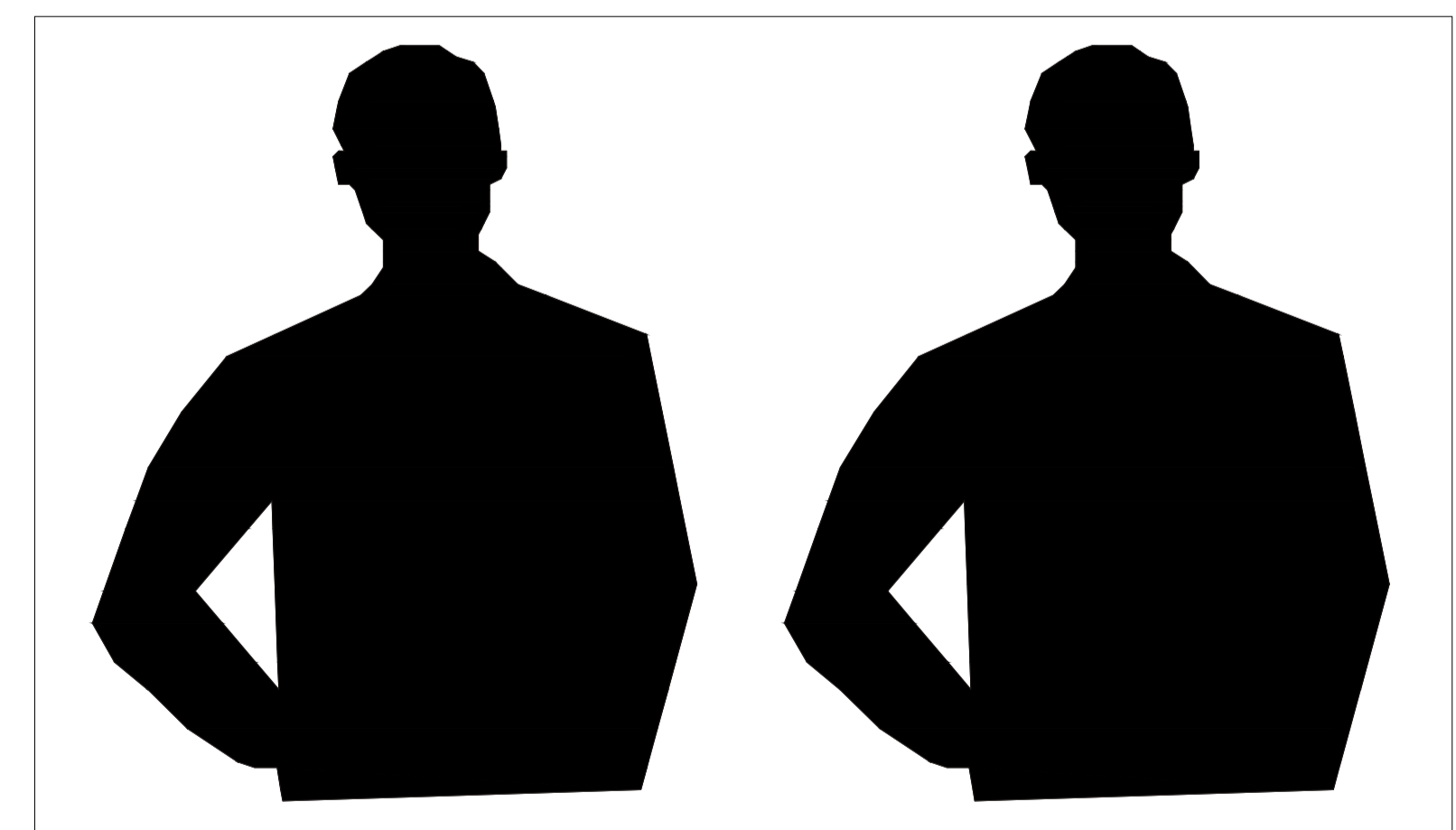
- Always wear safety glasses and gloves while handling.
- Always read and follow all the steps in the installation instructions.
- Inspect all contents and glass for damage before installation.
- Extreme caution should be taken while handling the glass during installation as the tempered glass may shatter if in contact with a hard surface.
- Handle the tempered glass with caution! Improperly handling the glass can cause it to break suddenly into small pieces (never in pointed fragments).
- Always take all precautions not to touch the tempered glass with any tools during the installation, or after installed.
- Do not cut or modify the tempered glass as it will shatter if cut.
- Carefully remove product from packaging and keep packaging until installation is complete.
- Inspect all parts for damage; if there is damage to the unit prior to installation, please contact customer service at the number provided in this guide.
- Install the shower on a floor that is level and able to accommodate the weight of the unit and an occupant.
- Consult local building codes and compliance standards prior to installation and ensure conformity.
- After installation, please check the glass promptly to ensure that there is no looseness after installation.
- Keep this installation manual for future reference.

NOTICE

- Any modification or alteration from what is specified in this instruction manual will void any and all warranty on this product.
 - The distributor is not responsible for any damage to the unit or personal property caused by improper installation.
- If you disregard instructional warnings, you will void your warranty and possibly deal with water damage.

PREPARATION

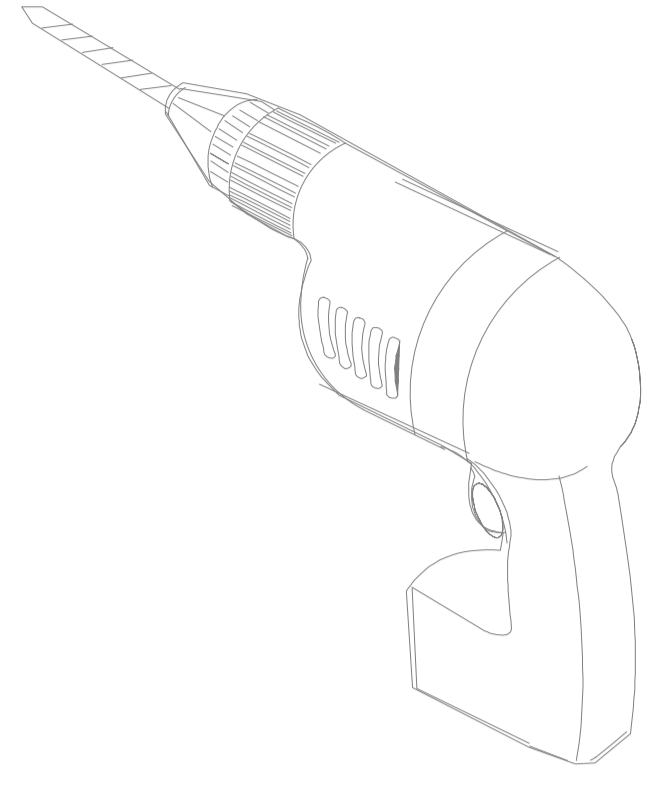
You will need at least two people to install this unit properly.



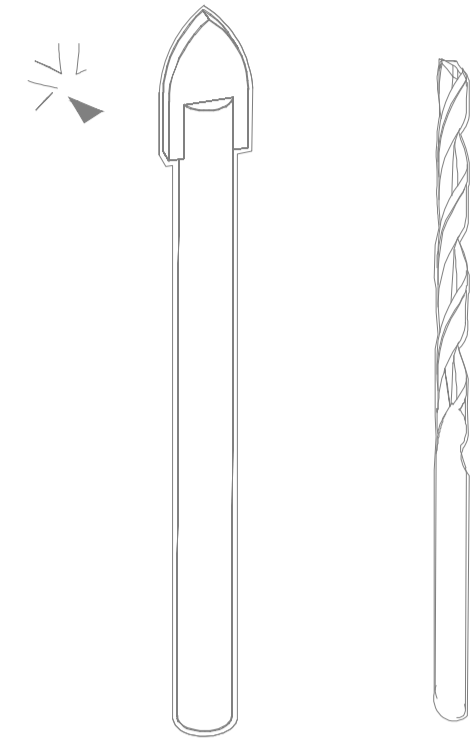
Before beginning assembly of product, make sure all parts are present. Compare parts with package contents list and hardware contents list. If any part is missing or damaged, do not attempt to assemble the product.

Estimated Assembly Time: Shower (60 min).

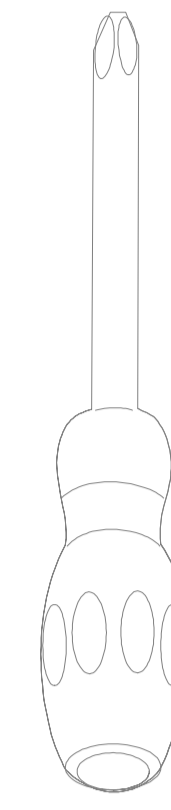
REQUIRED TOOLS



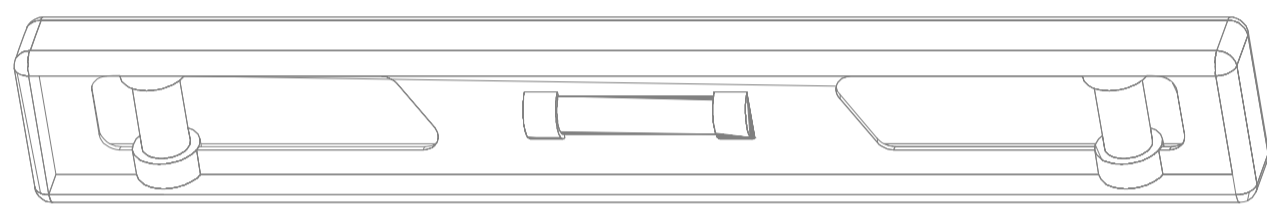
DRILL
PERCEUSE



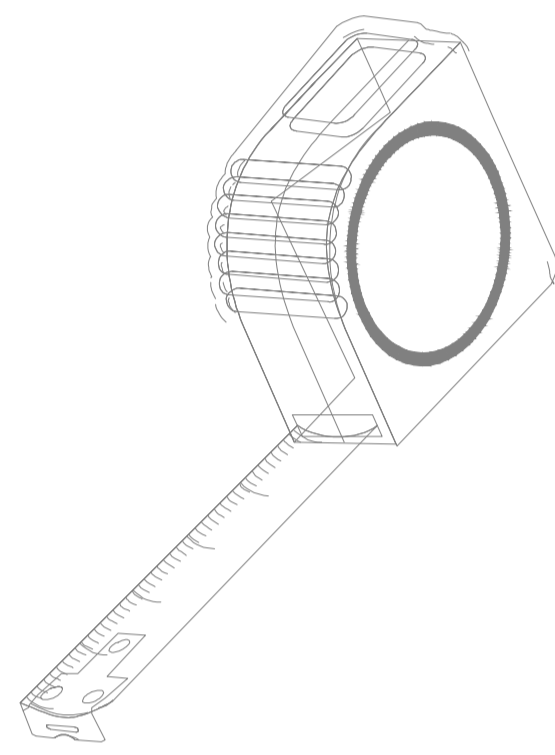
1/4" & 1/8" DRILL BITS
MÈCHES 1/4" & 1/8"



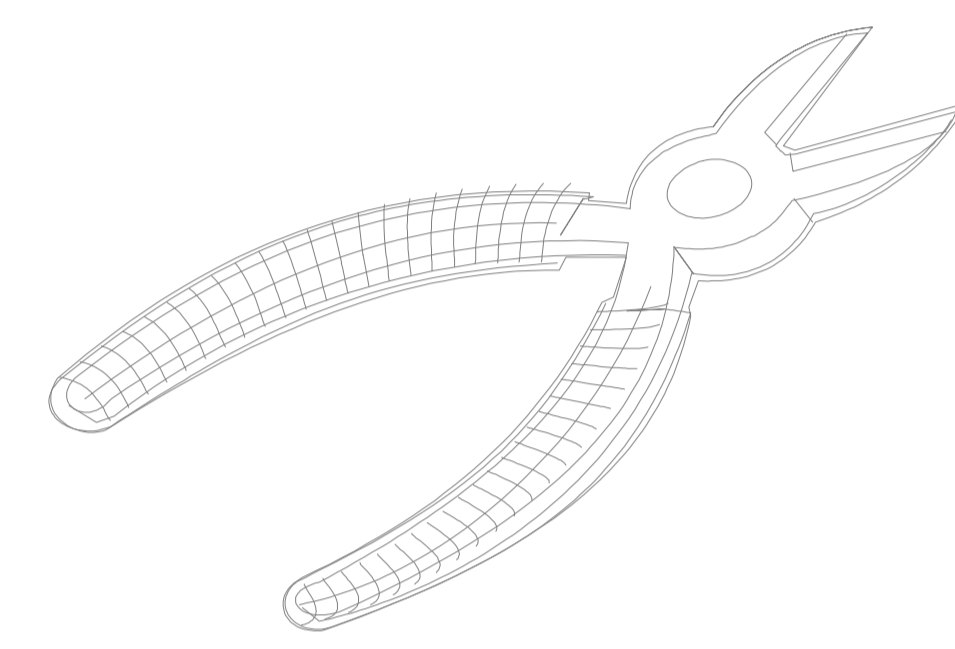
SCREWDRIVER
TOURNEVIS



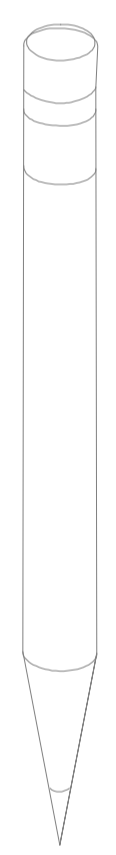
LEVEL
NIVEAU



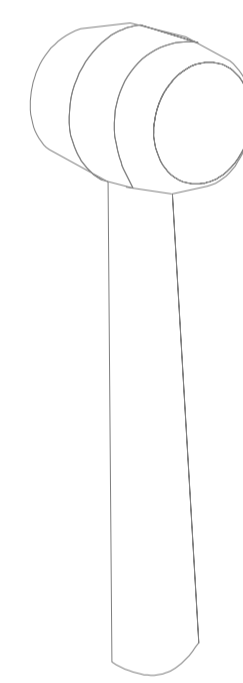
TAPE MEASURE
RUBAN A MESURER



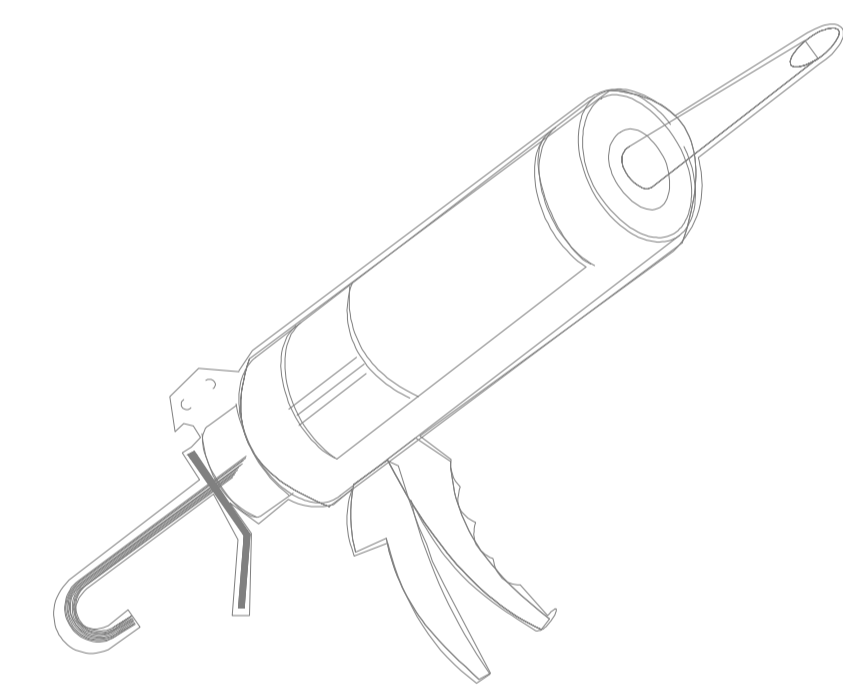
CUTTING PLIER
PINCE COUPANTE



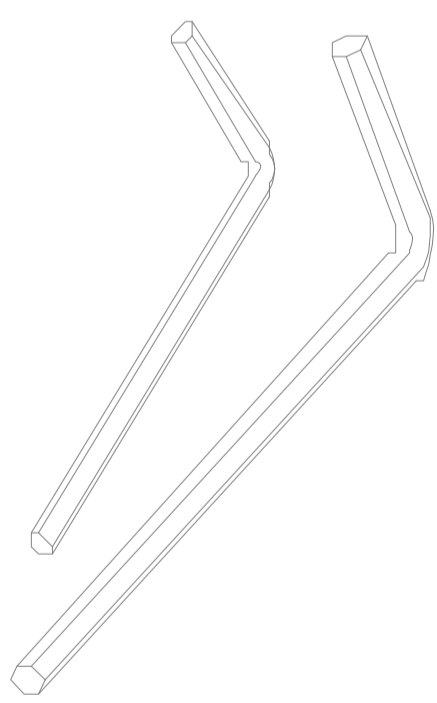
PENCIL
CRAYON



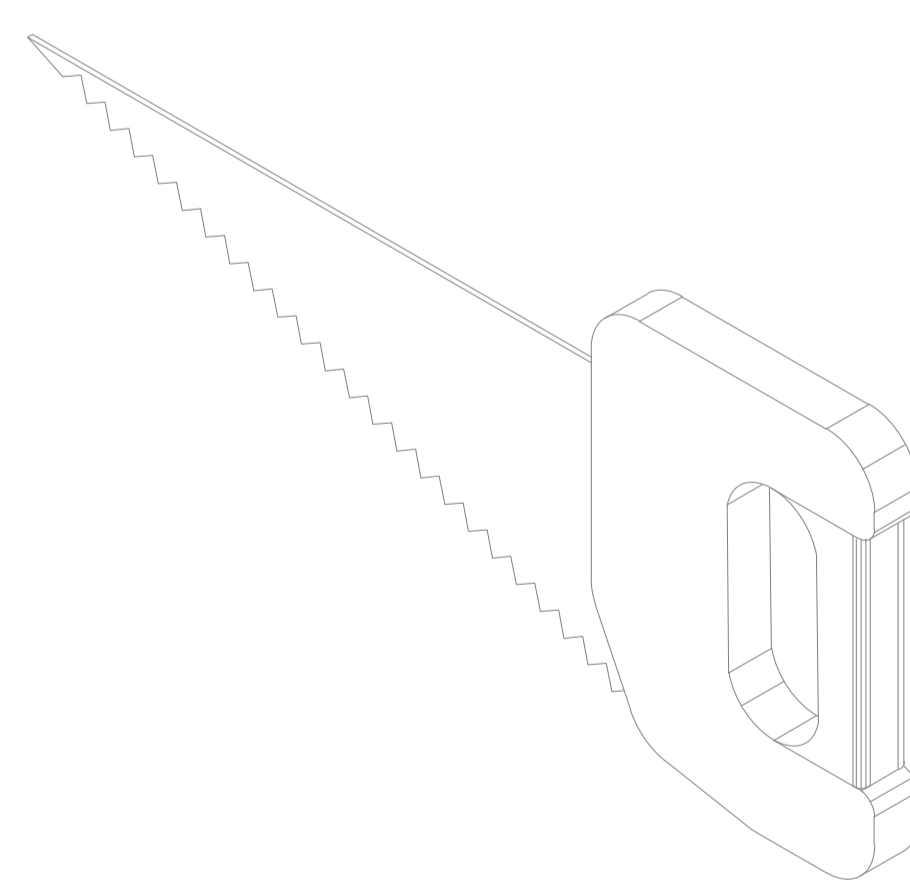
MALLET
MAILLET



SILICONE
SCCELLANT



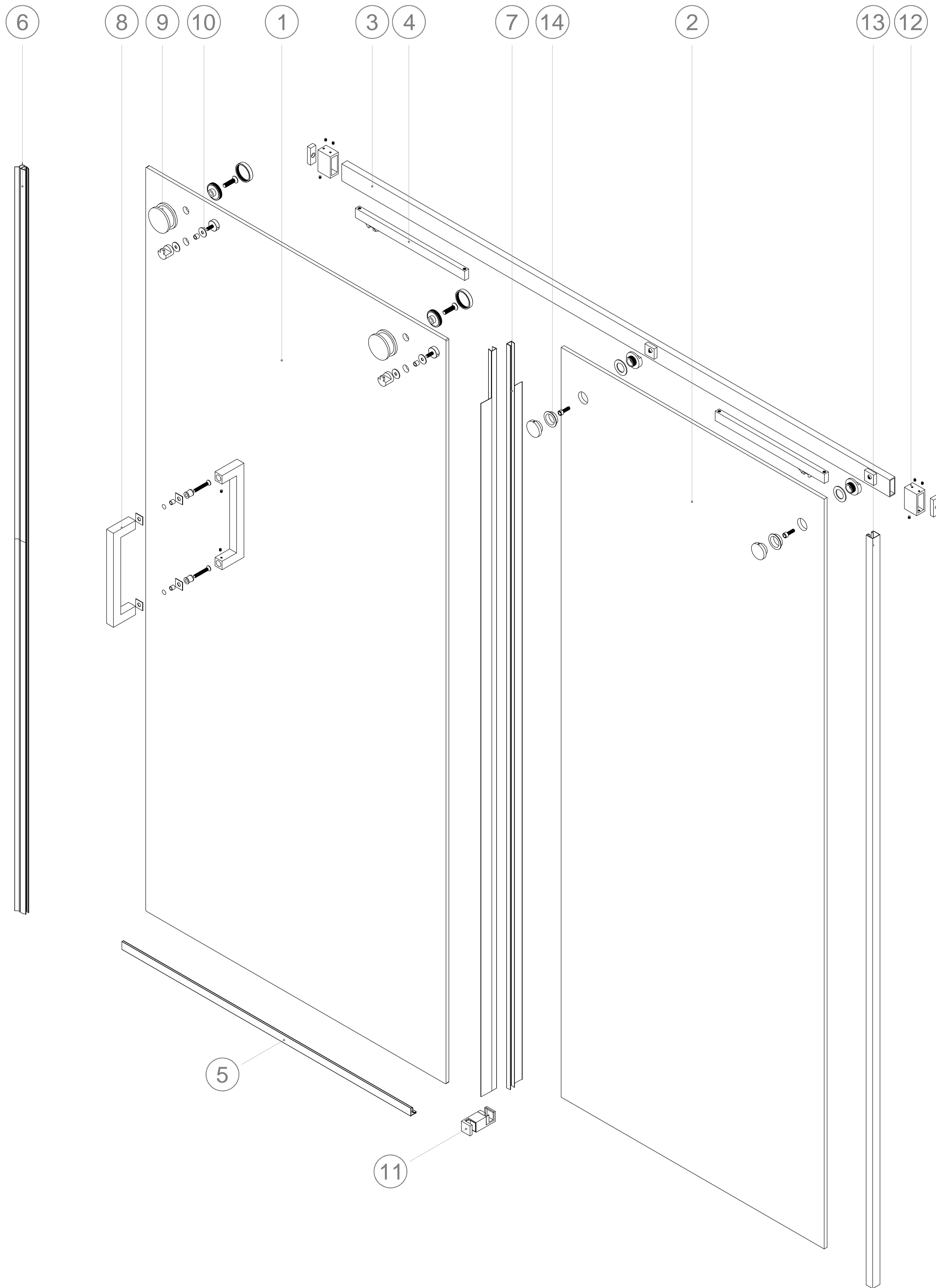
ALLEN KEY
2mm&2.5mm&4mm&5mm





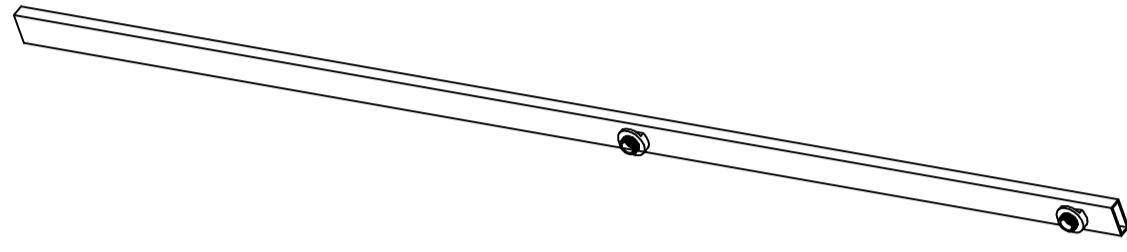
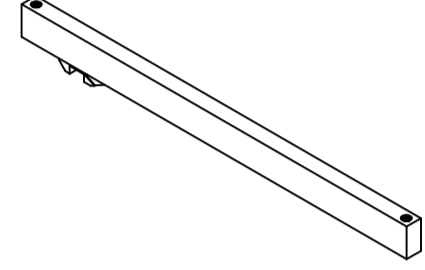
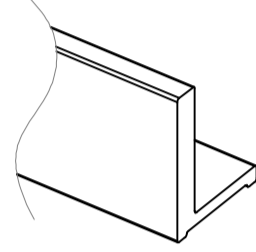
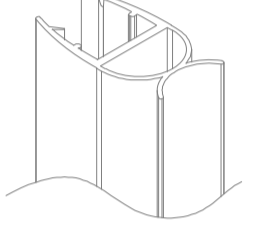
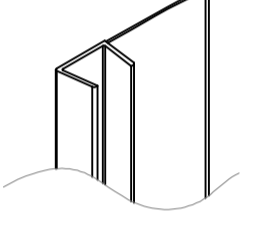
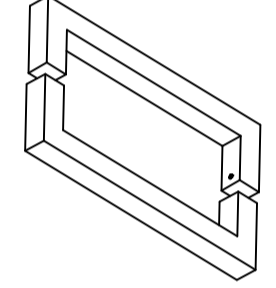
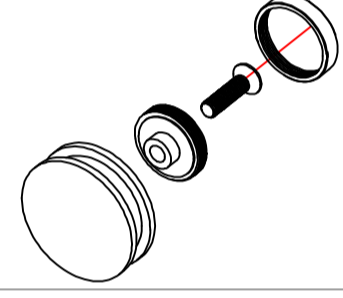
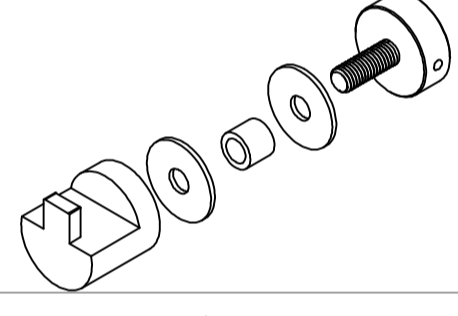
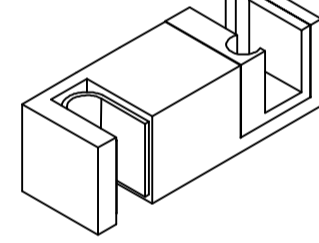
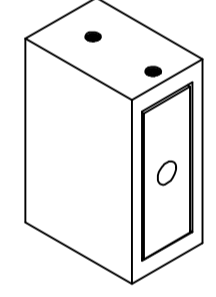
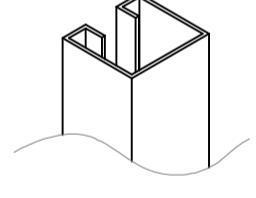
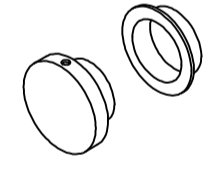
Saw
Saw

*** Use a 1/4" drill bit for ceramic when drilling into ceramic tiles**

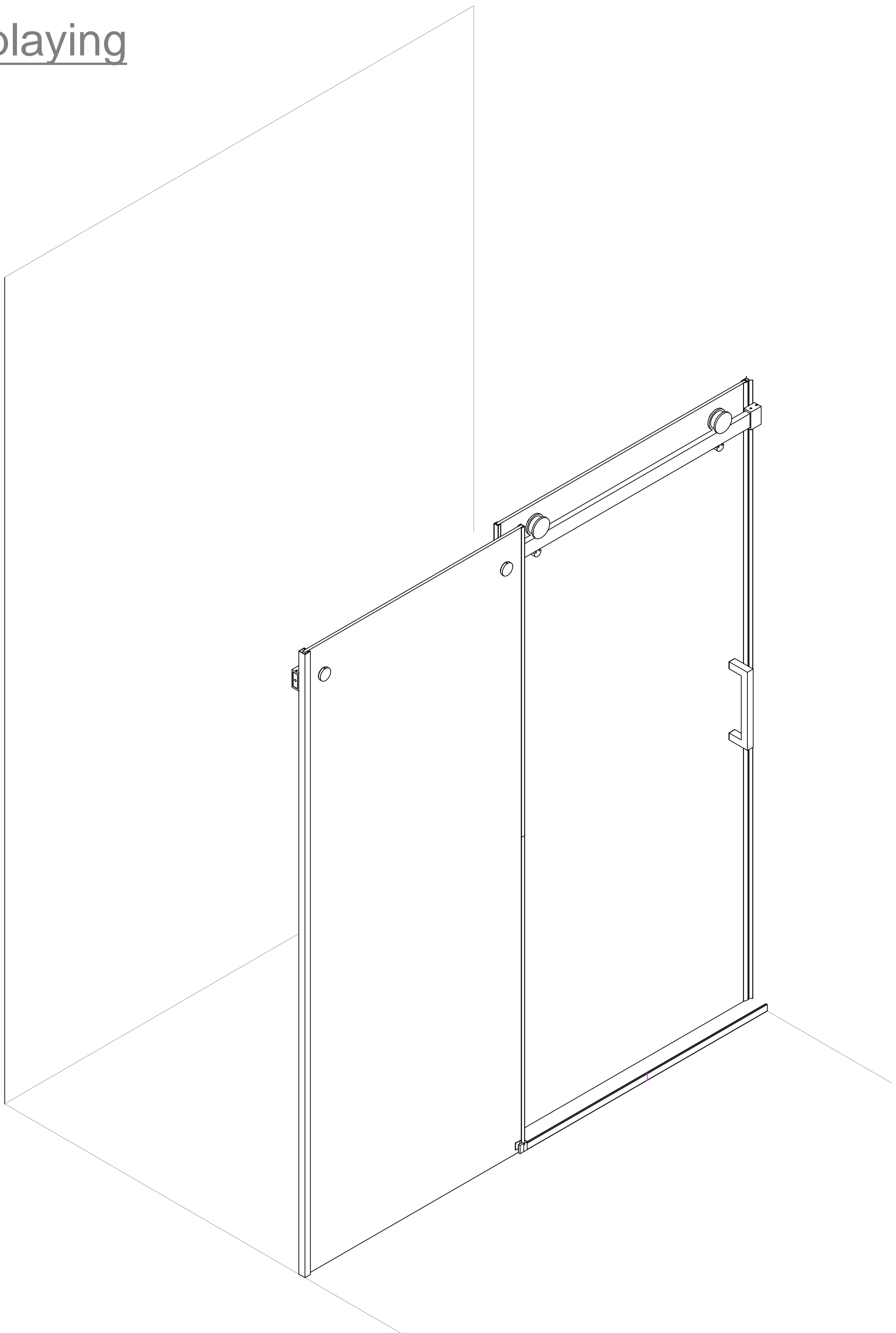
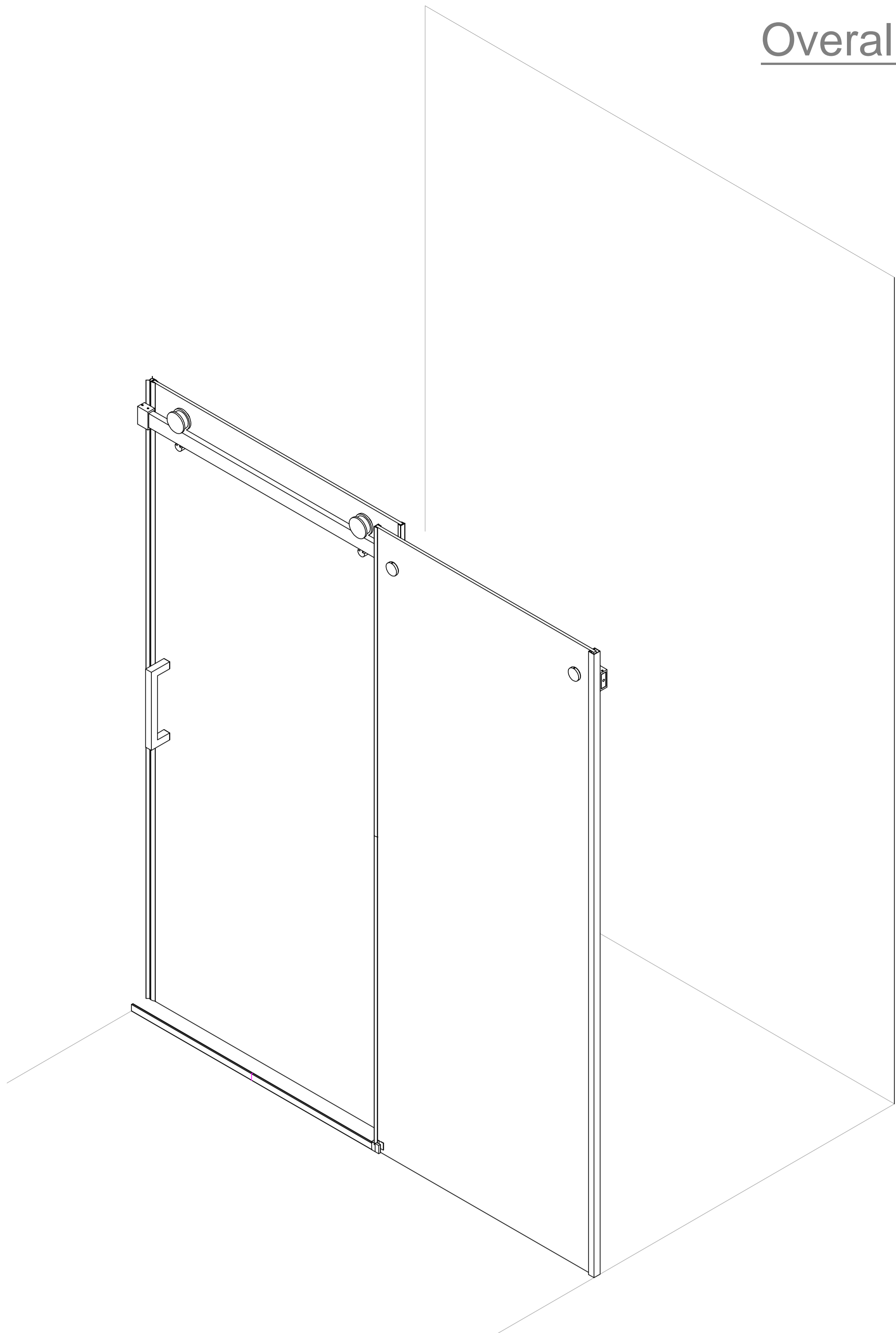
PARTS AND HARDWARE LISTING



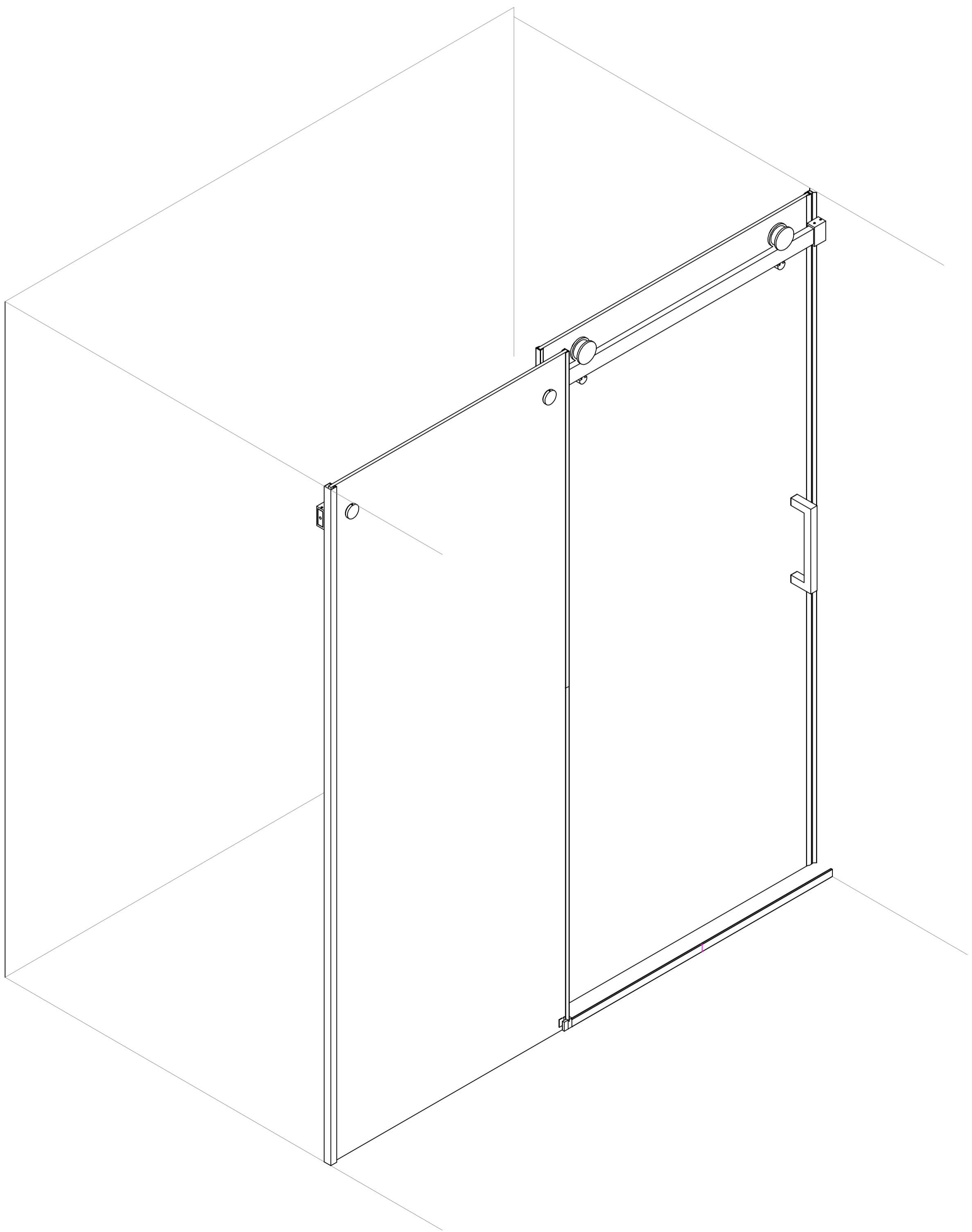
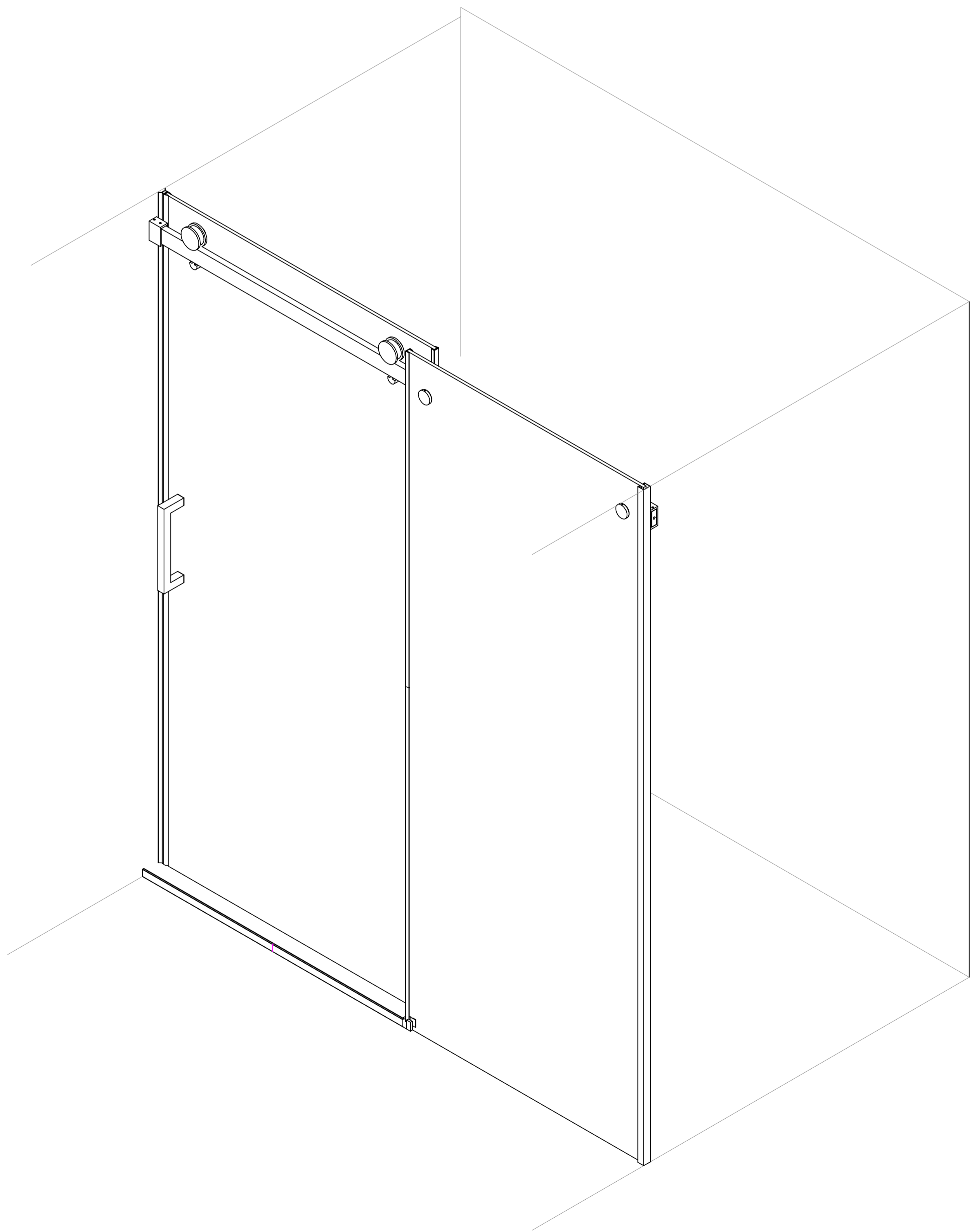
PARTS AND HARDWARE LISTING

ITEM	NAME	QTY	PICTURE
1	GLASS DOOR	1	
2	FIX GLASS DOOR	1	
3	RAIL	1	
4	BUFFER	2	
5	THRESHOLD	1	
6	ANTI COLLISION ADHESIVE STRIP	1	
7	WATER RETAINING ADHESIVE STRIP	2	
8	HANDLE	1	
9	WHEEL	2	
10	ANTI-JUMP TRIGGER	2	
11	GUIDE BLOCK	1	
12	WALL MOUNT ASSEMBLY	2	
13	WALL PROFILE	1	
14	ANCHOR KEY	2	
15			
16			
17			
18			
19			
20			
21			

Overall Installation Displaying



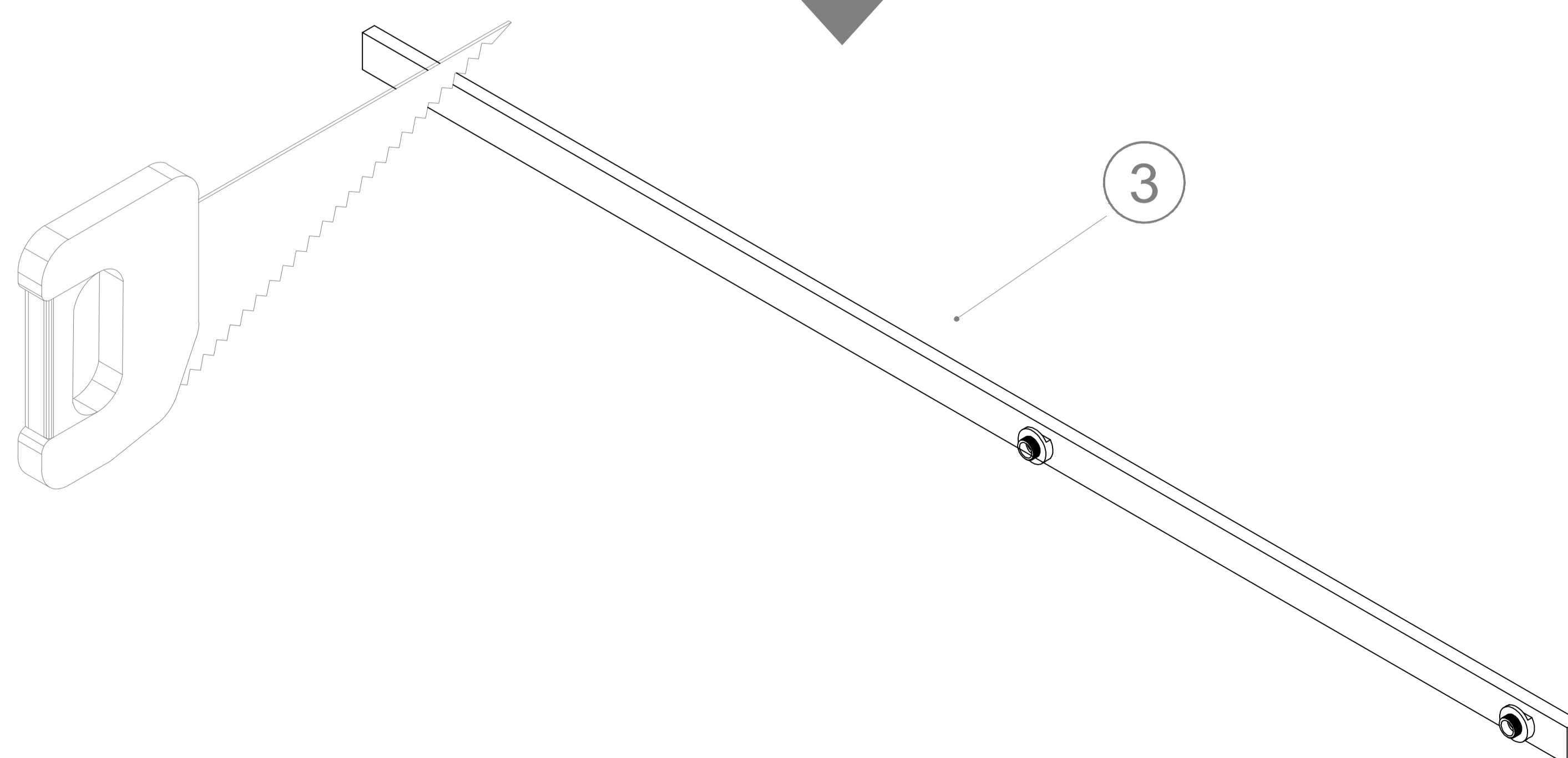
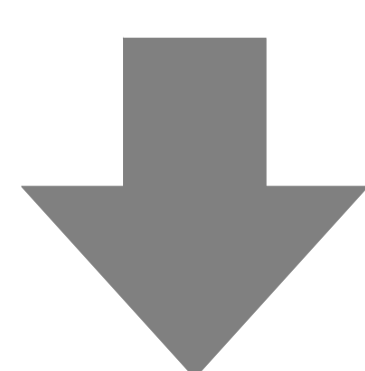
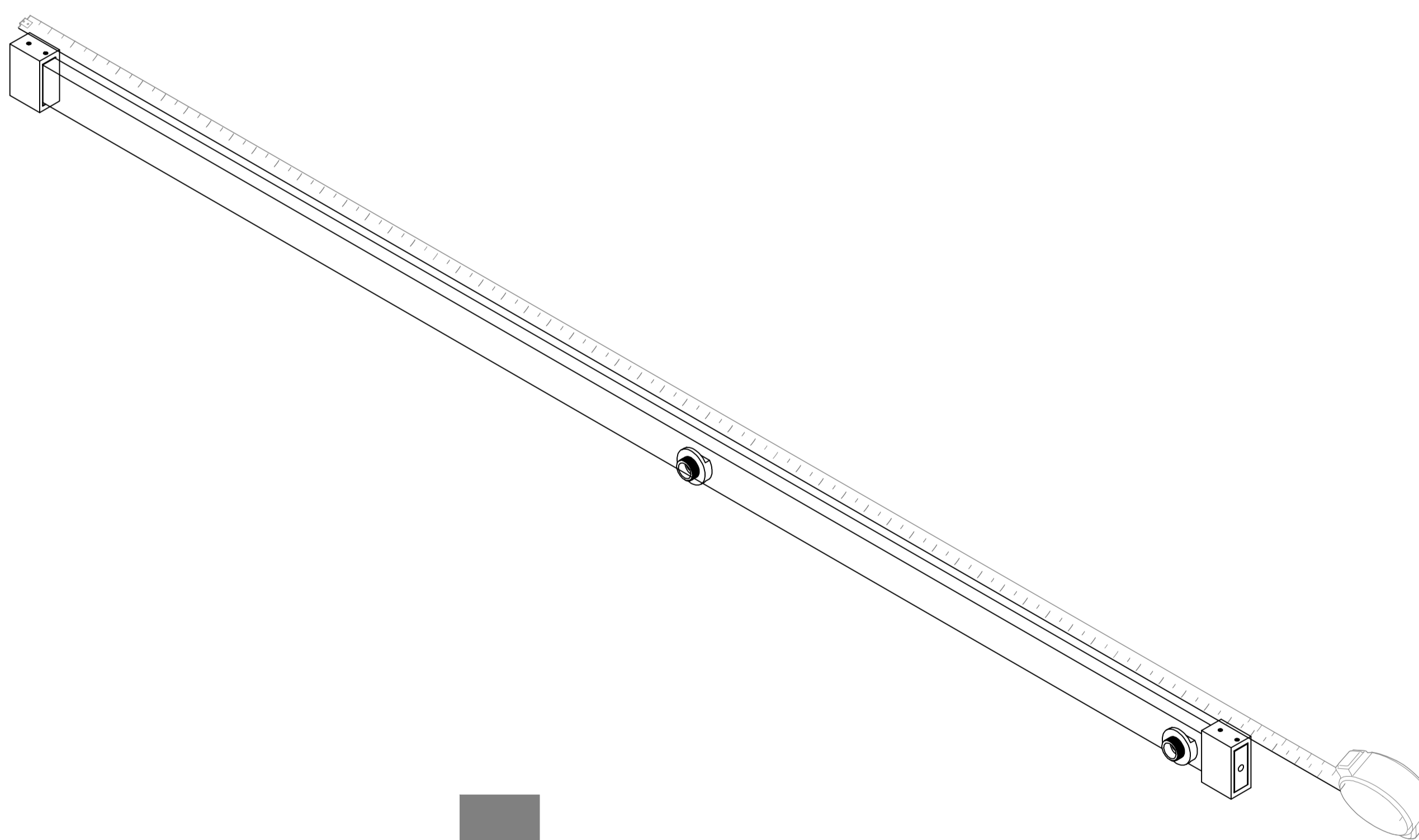
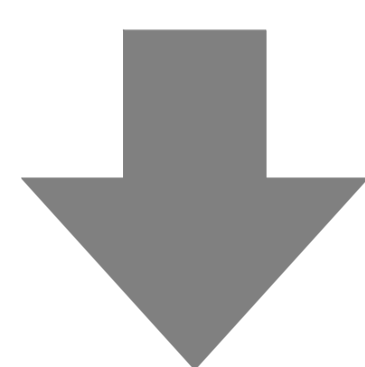
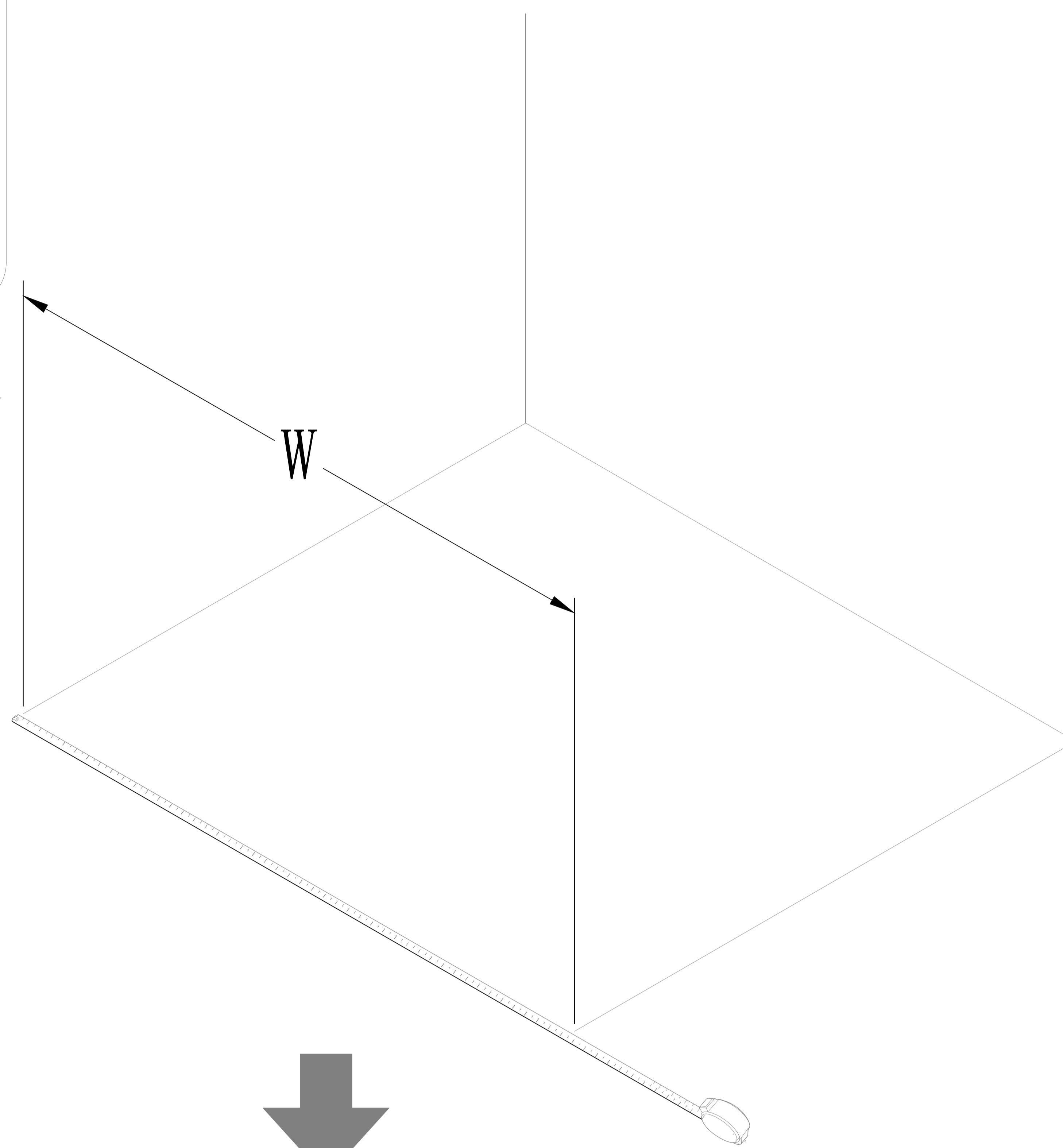
Installation effect diagram of shower enclosure



Installation effect diagram of side panel

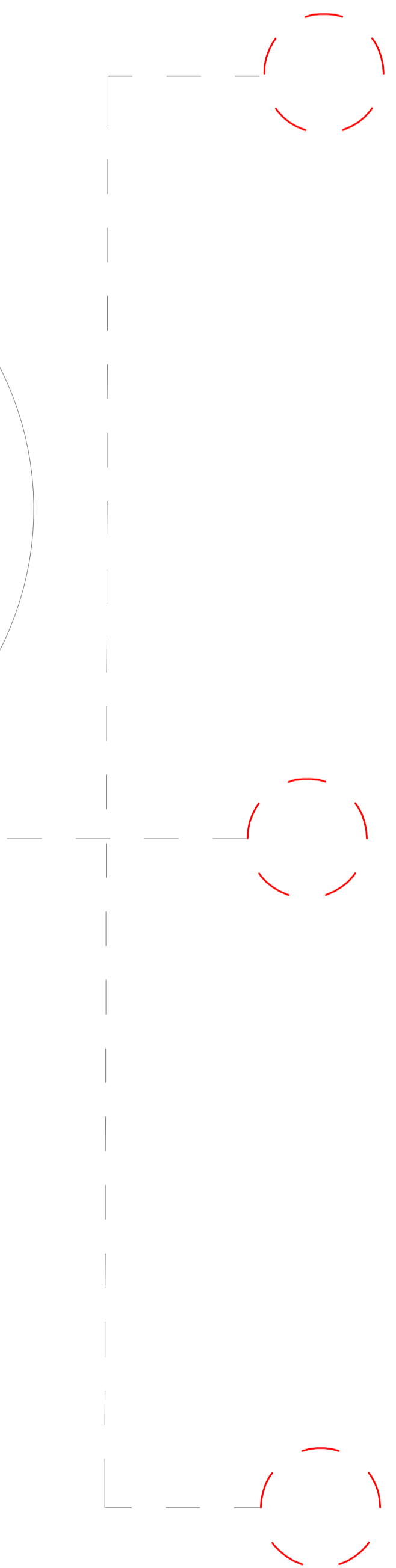
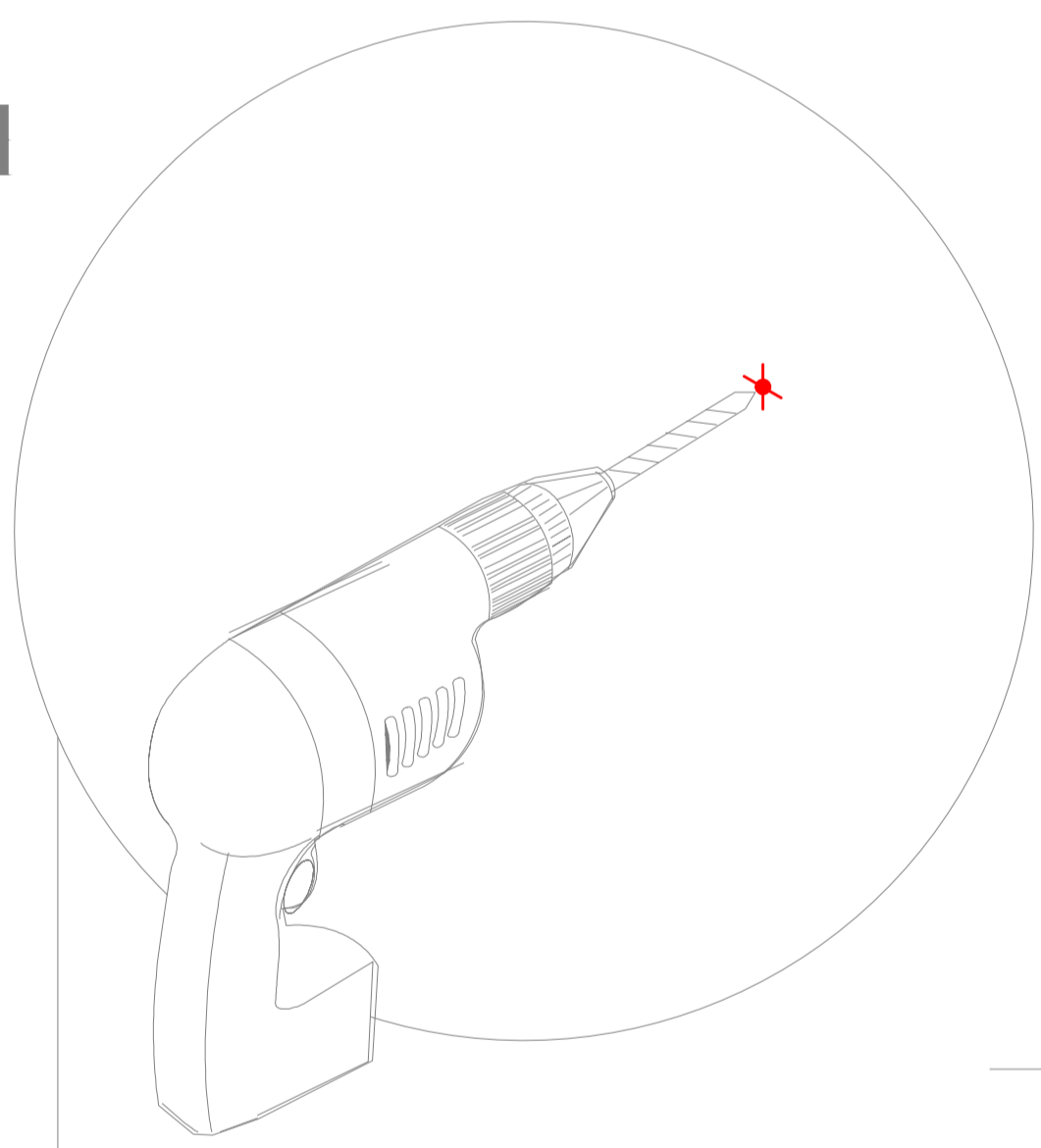
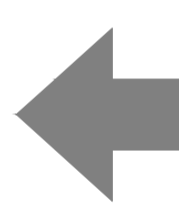
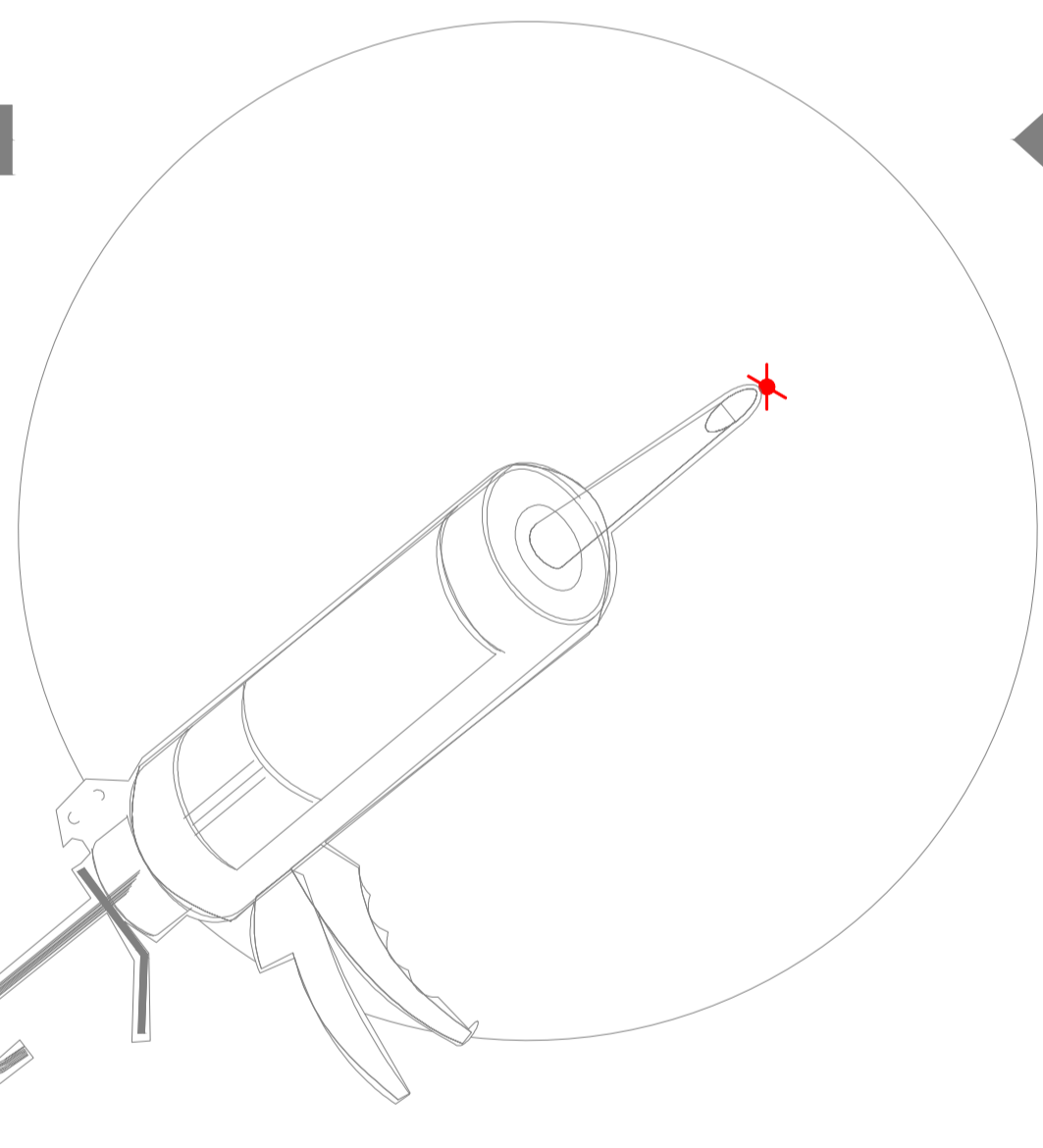
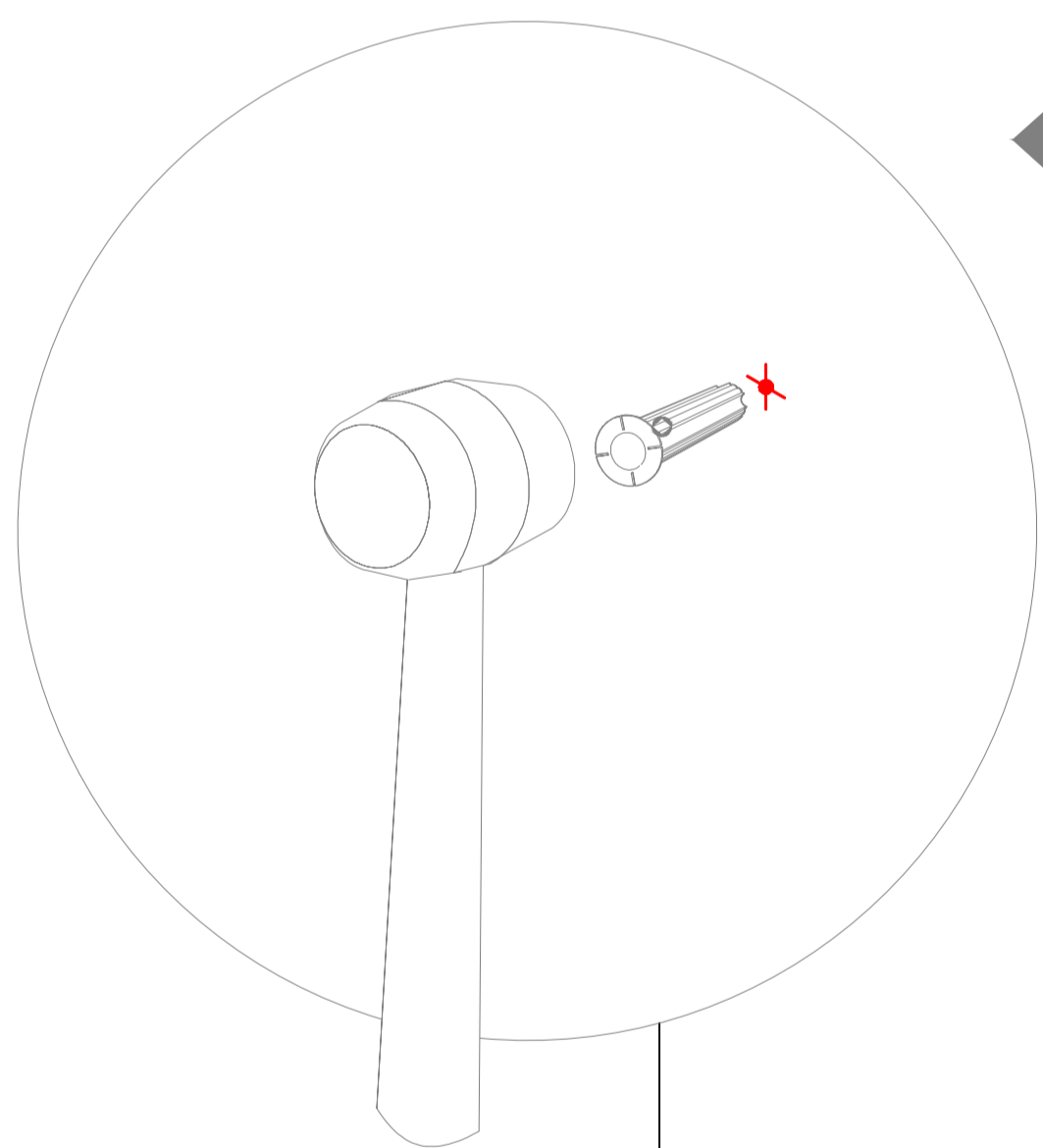
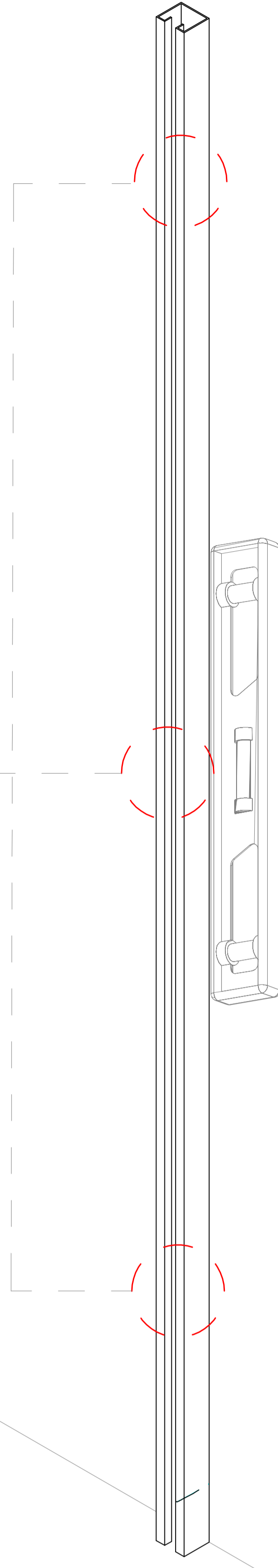
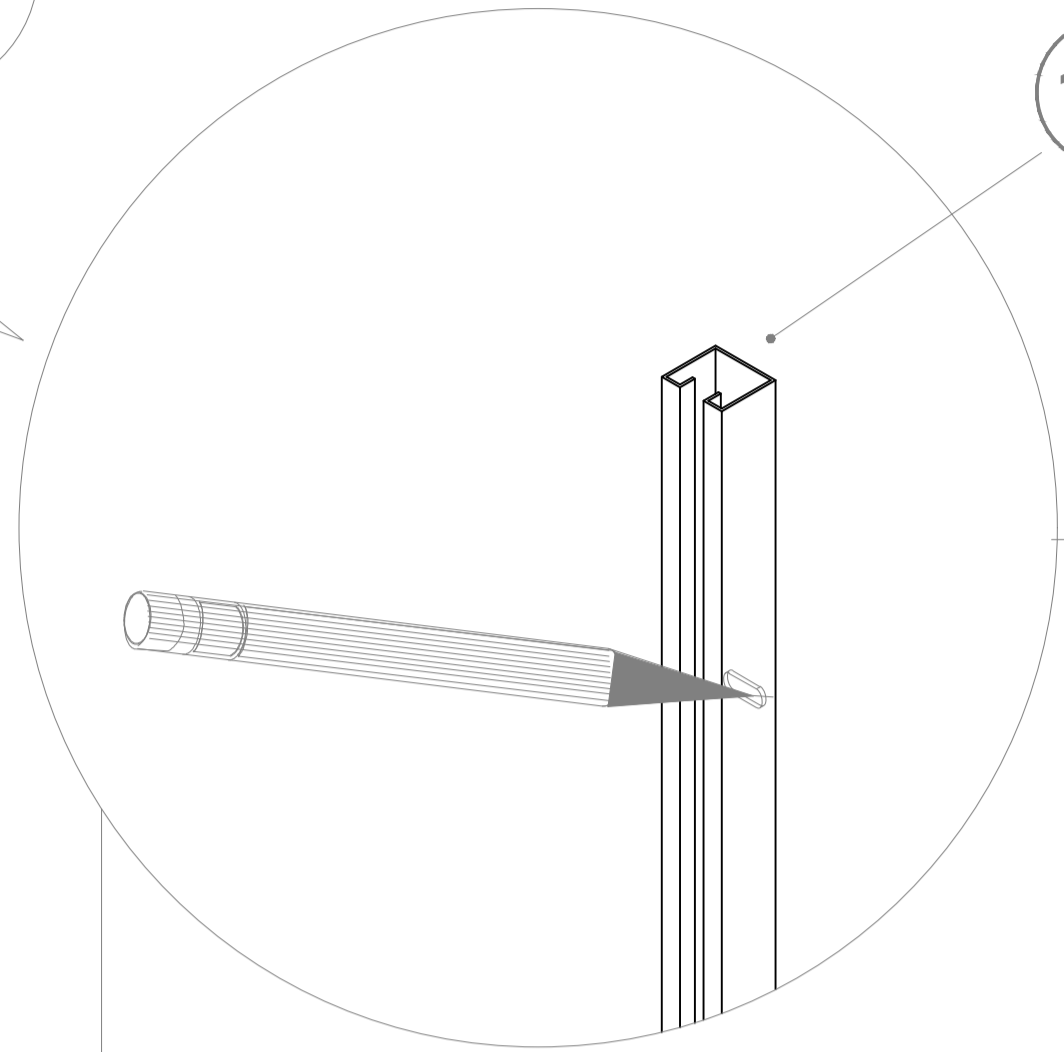
Wall to wall measurement, cutting the upper guide rail

Measure the site wall to wall dimensions against cutting guides.



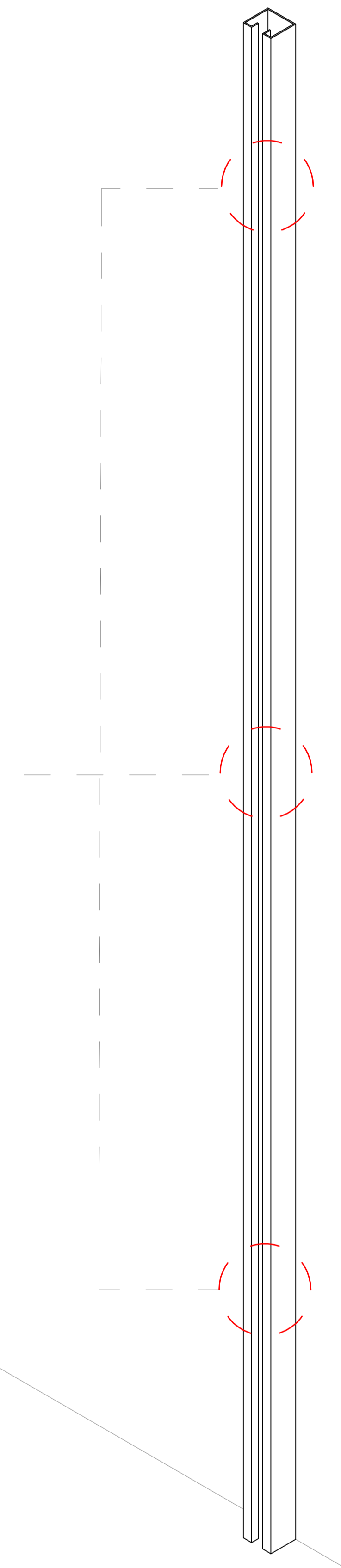
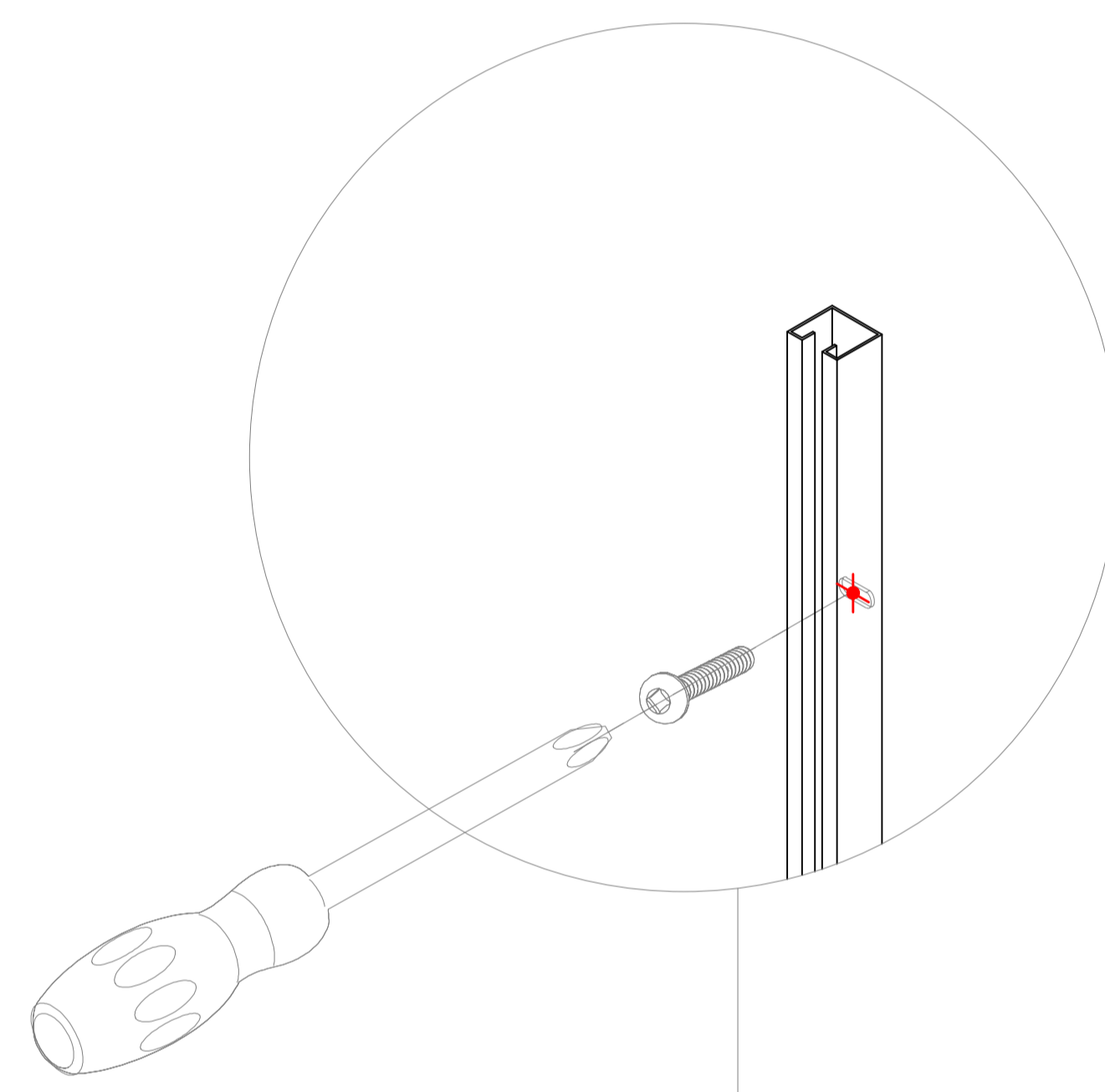
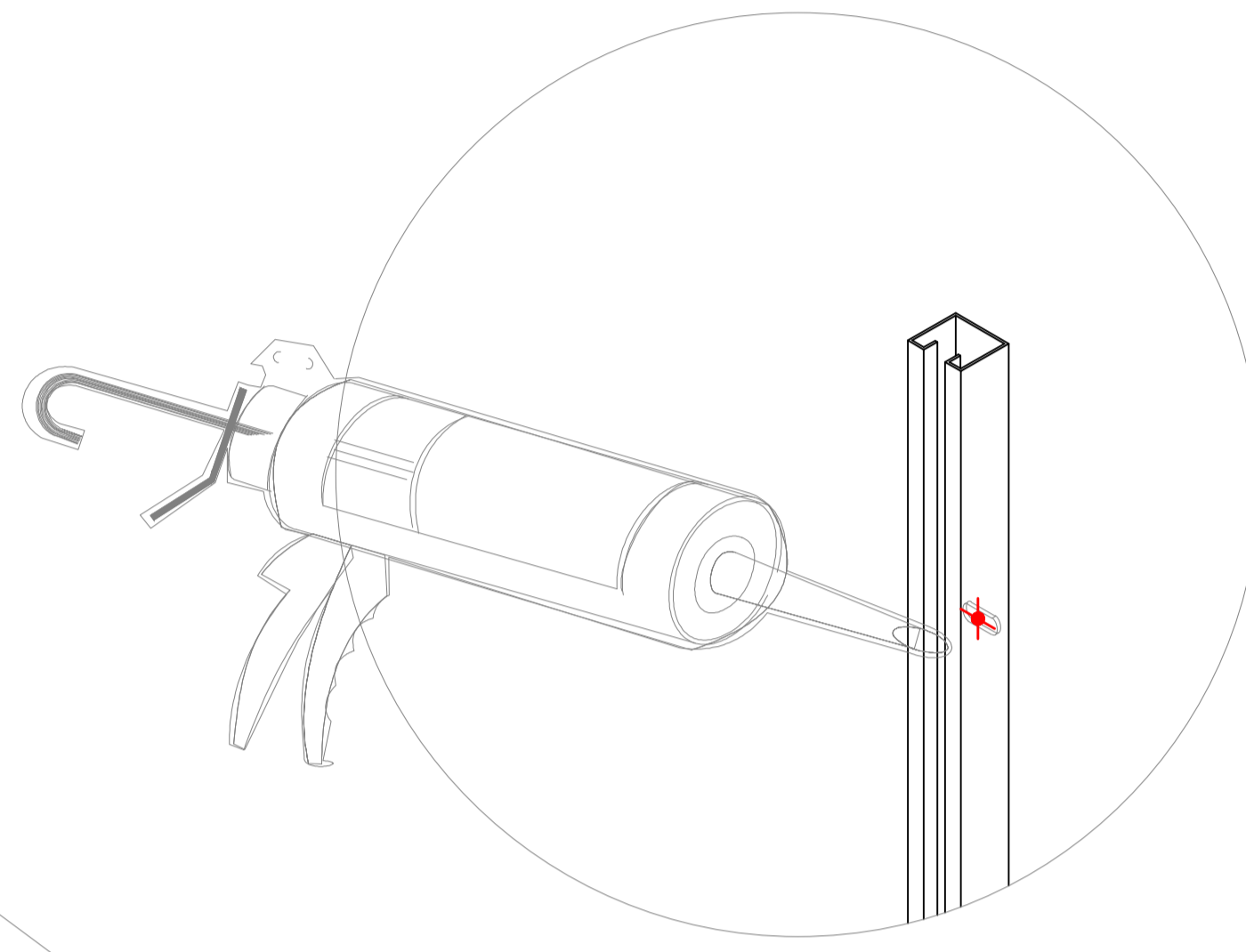
STEP-1: Mark wall material holes and punch holes.

Make drilling marks against the side panel wall profile, and pay attention to the center marks.

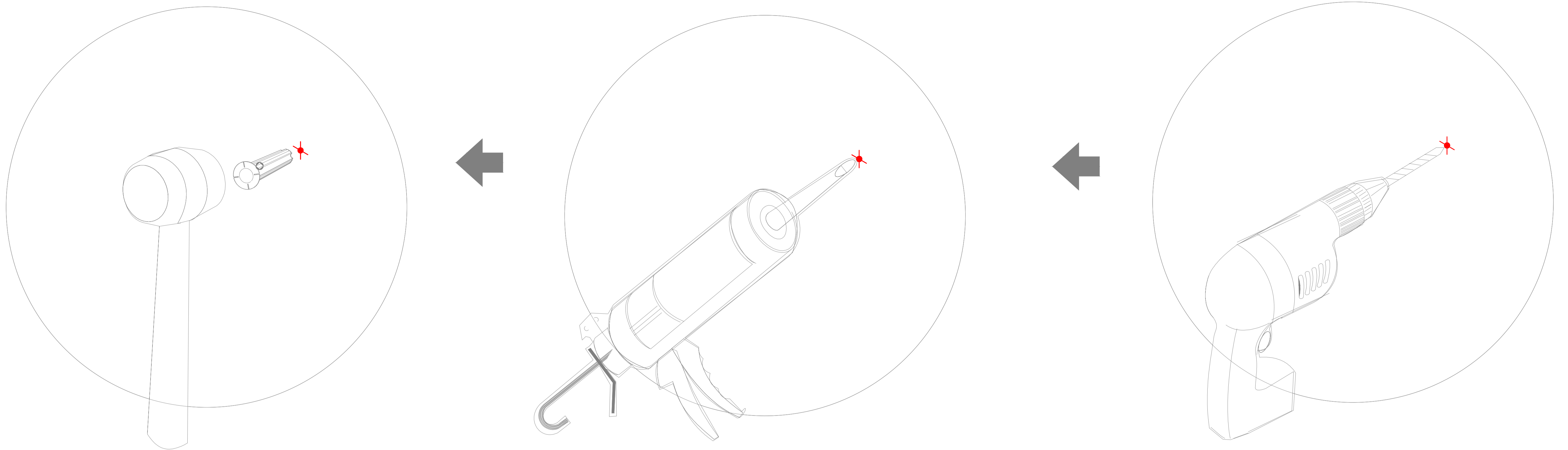


STEP-2: Install the wall profile

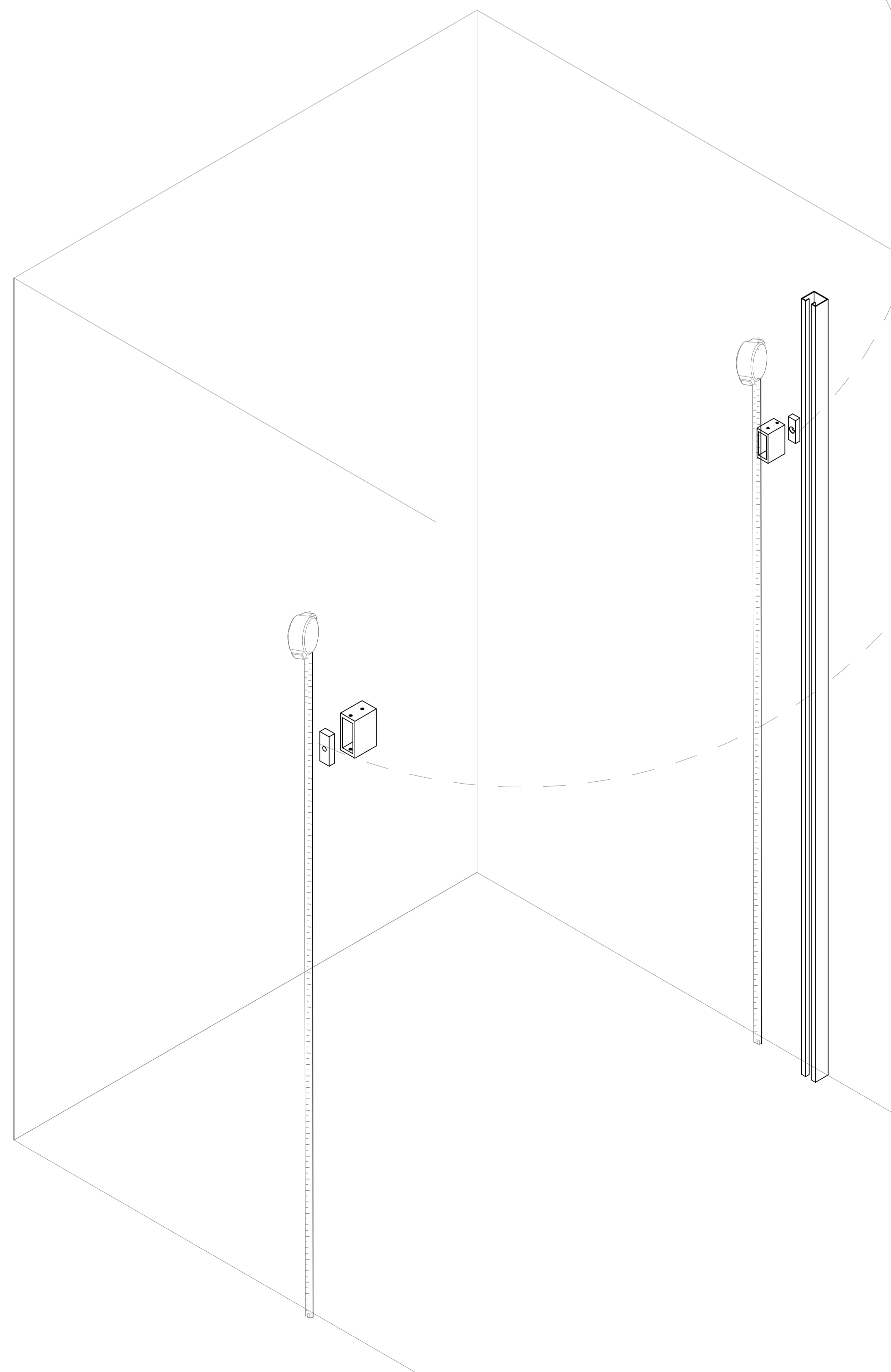
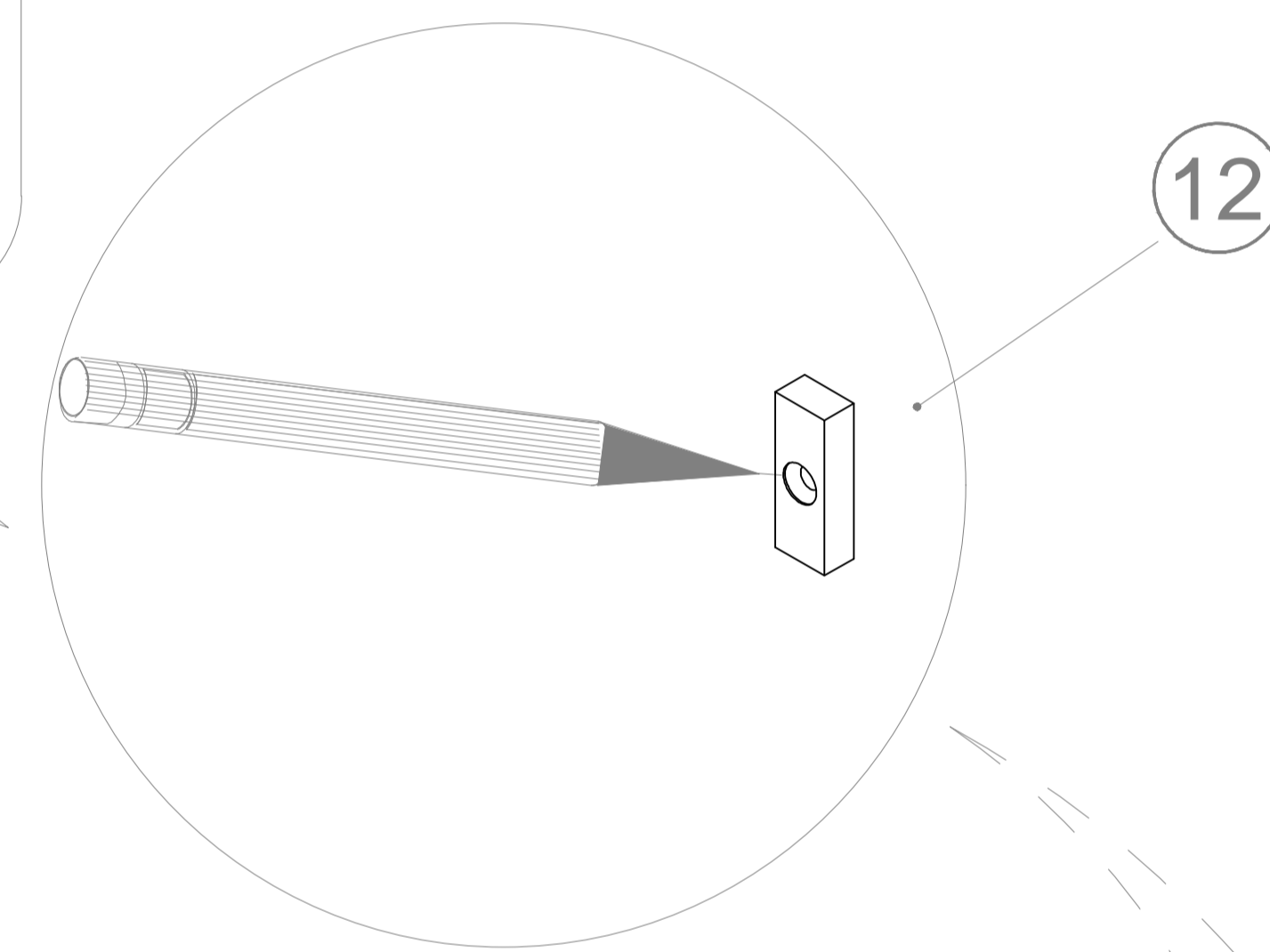
1. Apply glass glue on the back of side panel
2. Use ST-4*35 stainless steel tapping screws to lock the side panel wall material to the wall.



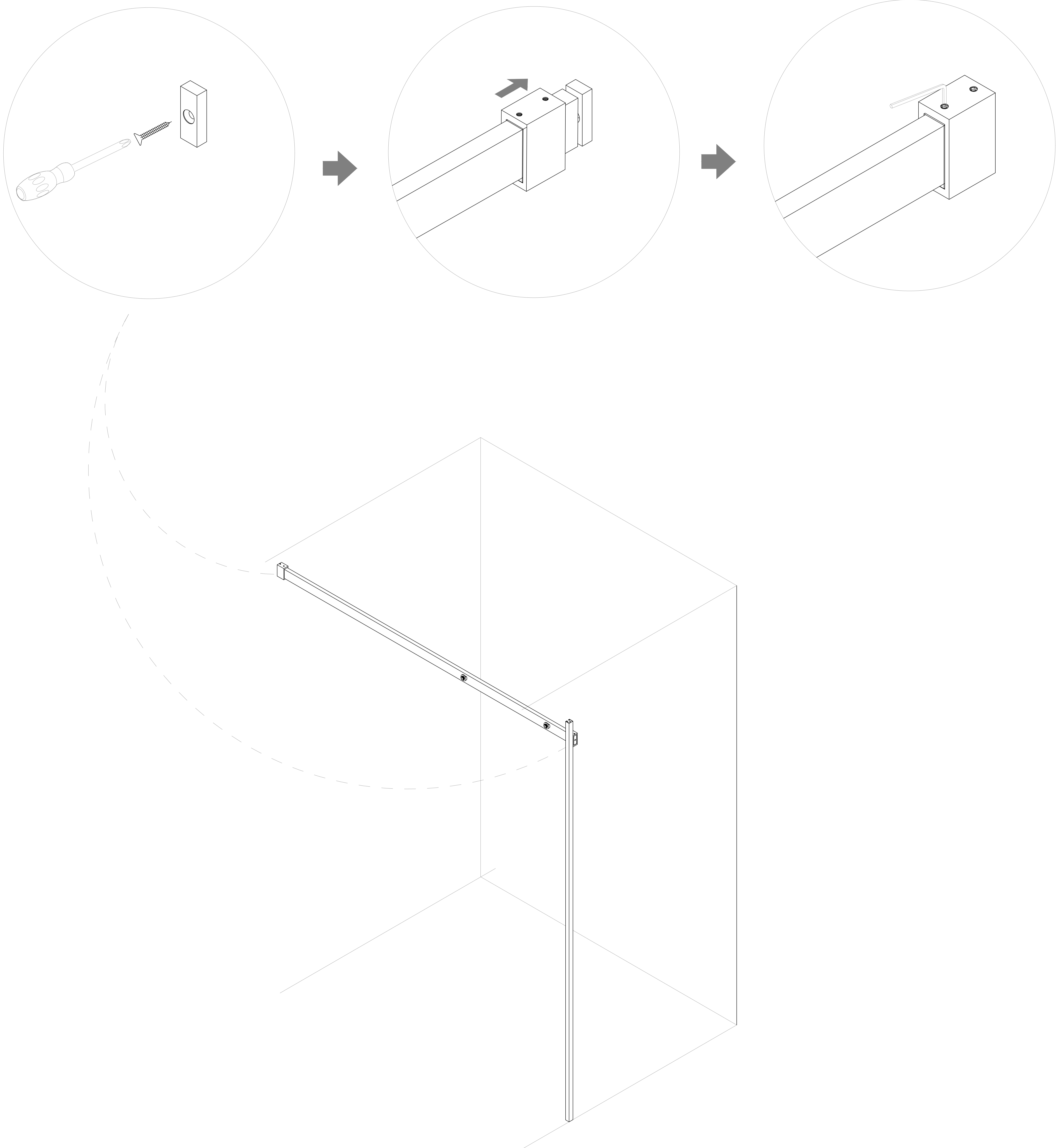
STEP-3: Install wall lock seat.



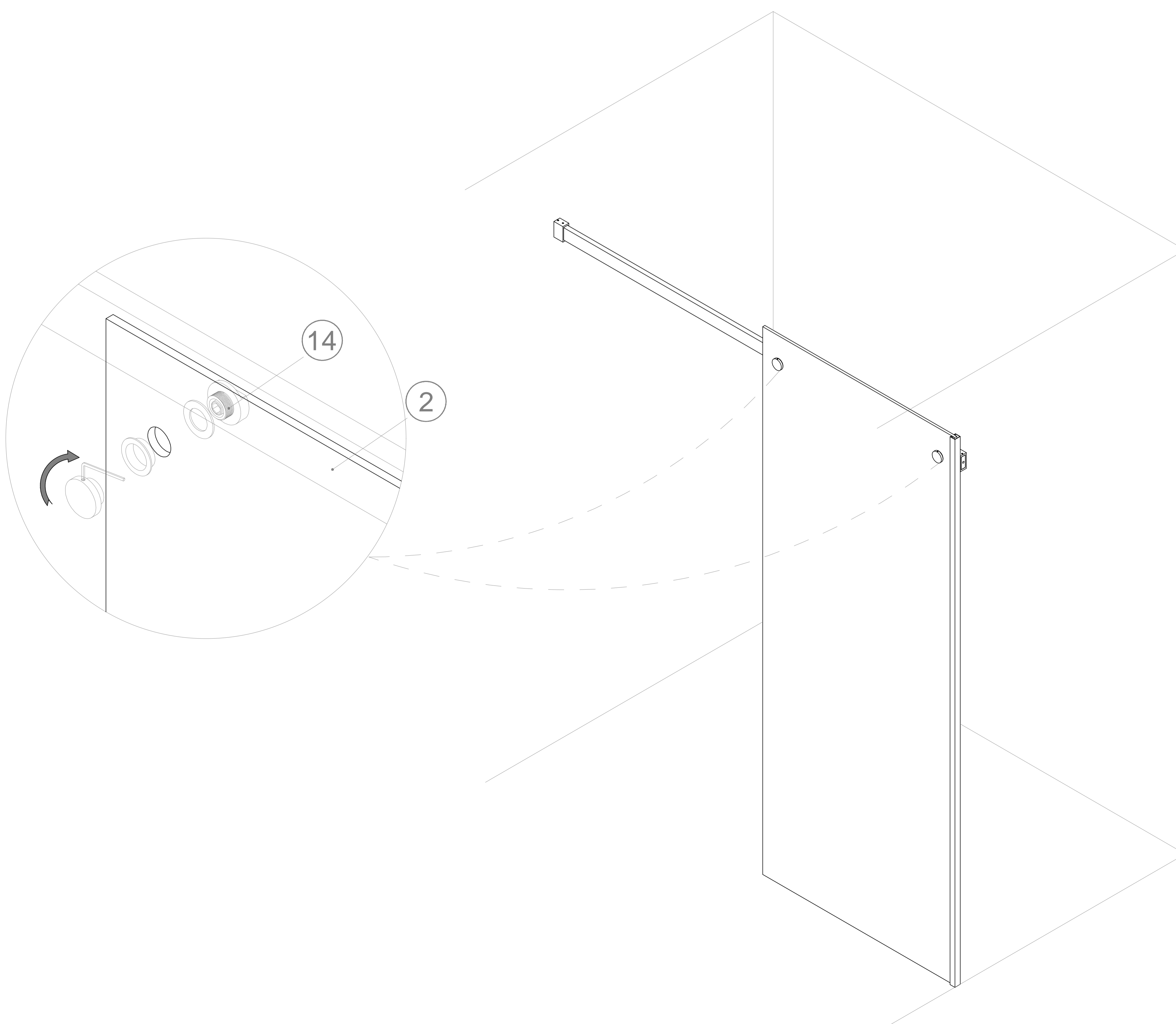
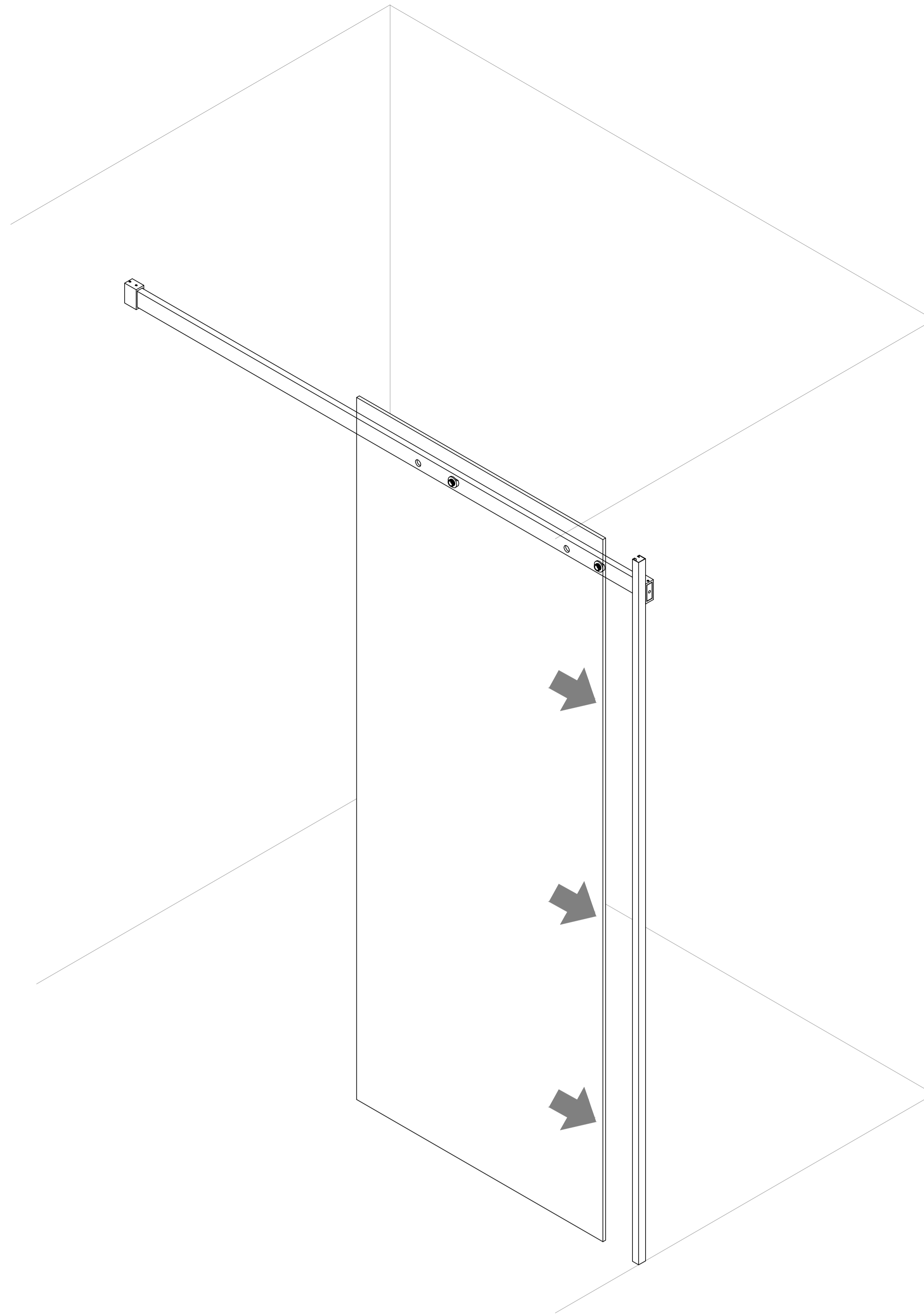
Only installing the Measure the vertical height, place the lock wall seat, and mark the hole location.



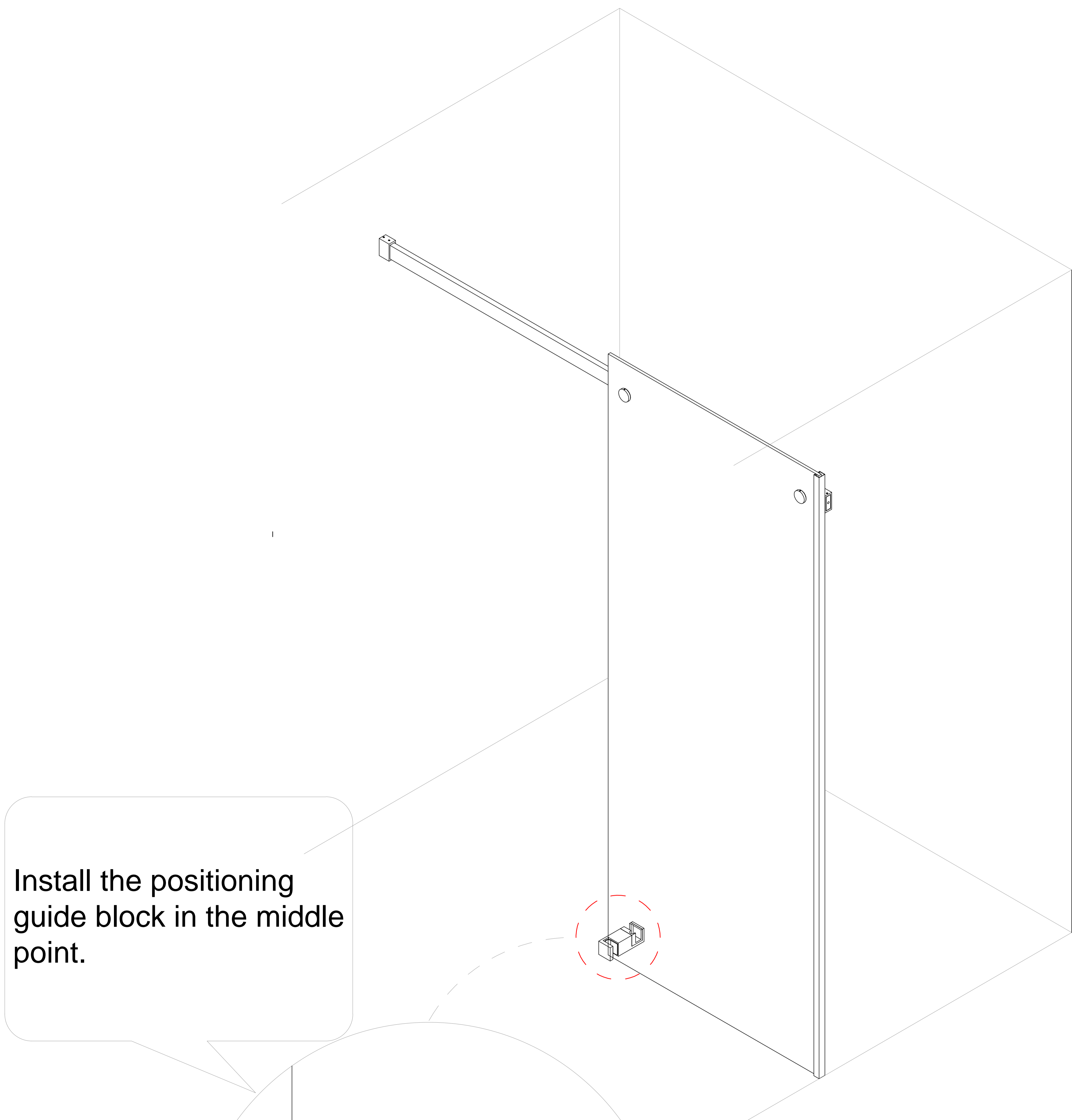
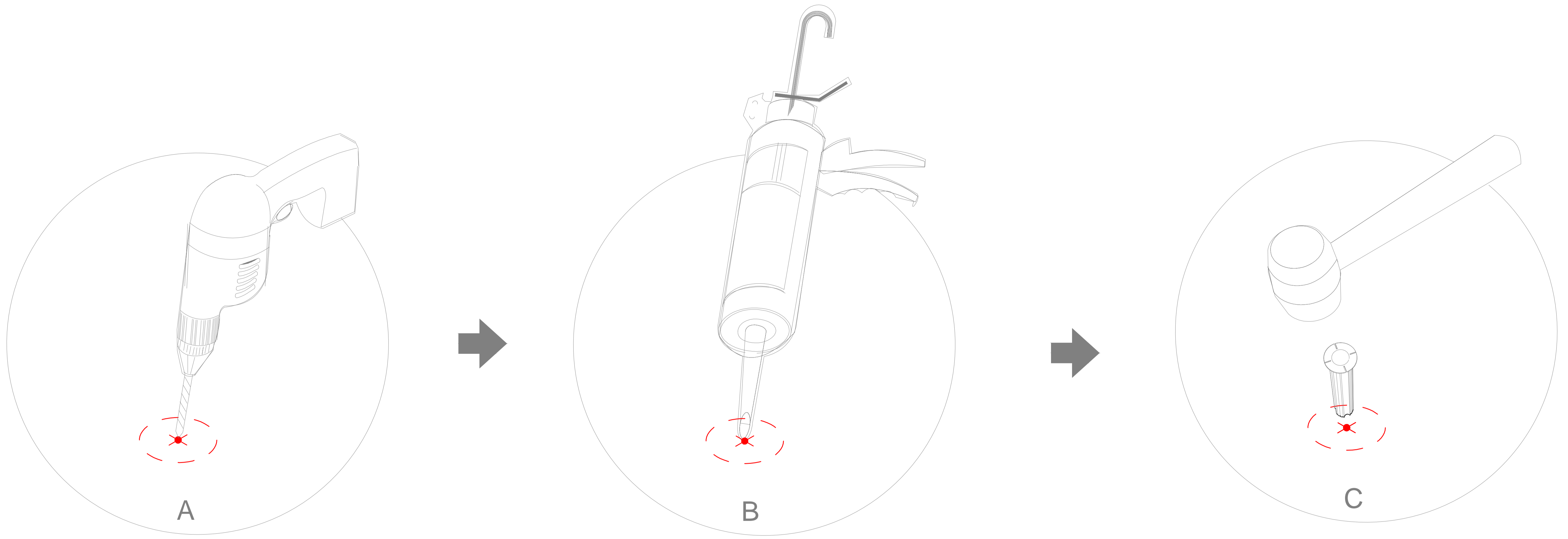
Step 4: Mounting upper rail.



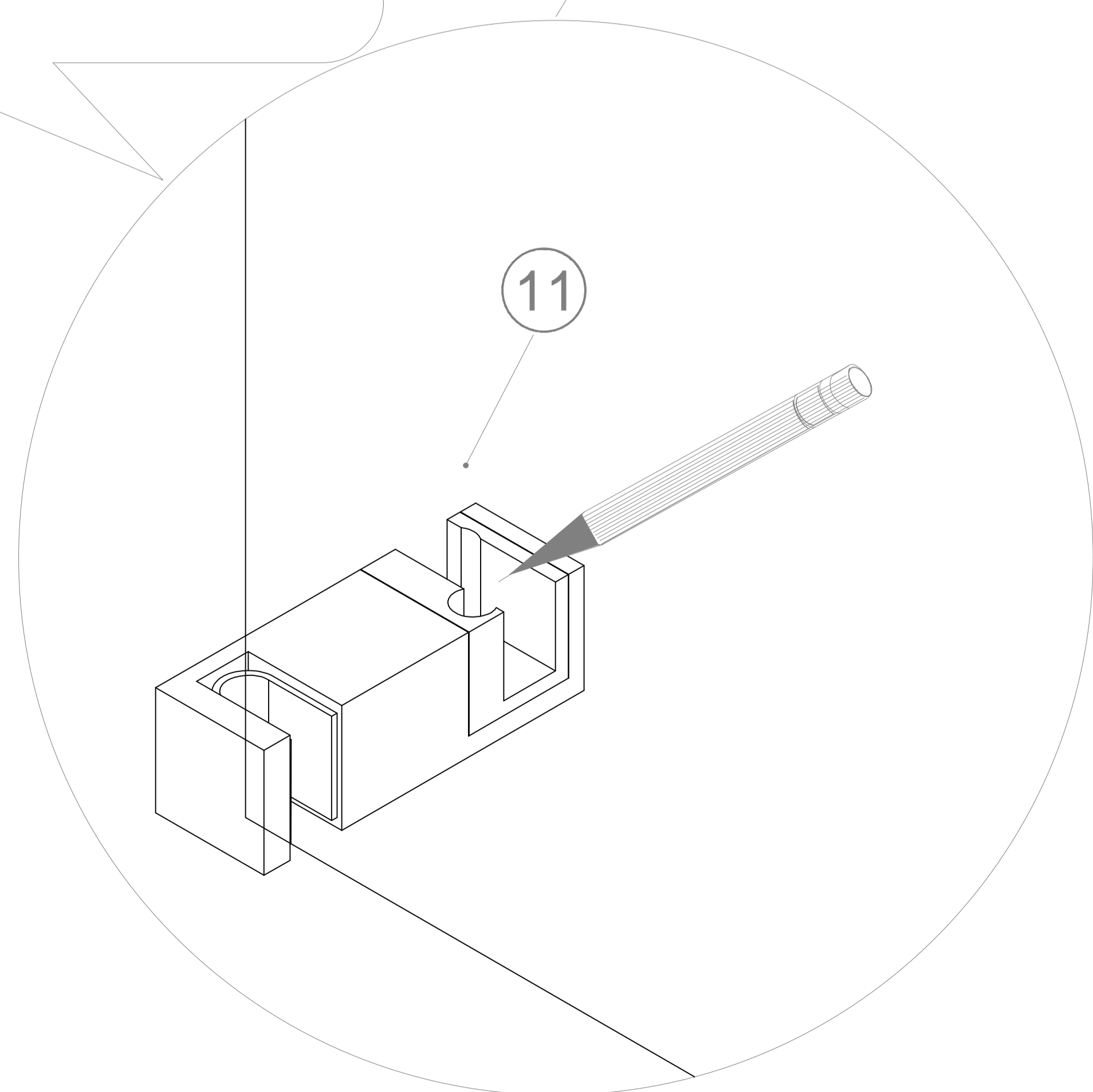
Step 5: Mounting and fixing glass.



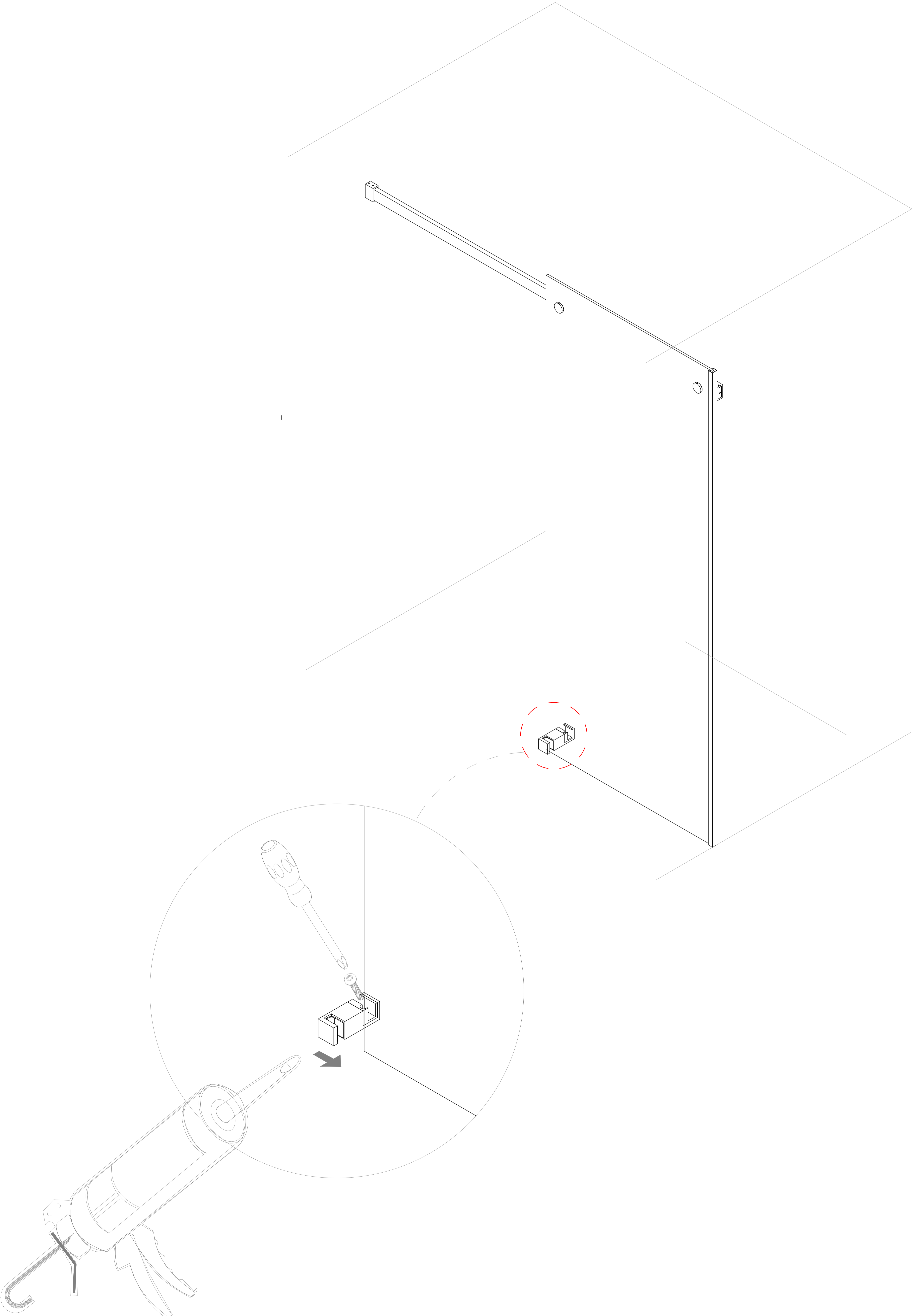
Step 6: Mark guide block holes and punch holes.



Install the positioning
guide block in the middle
point.

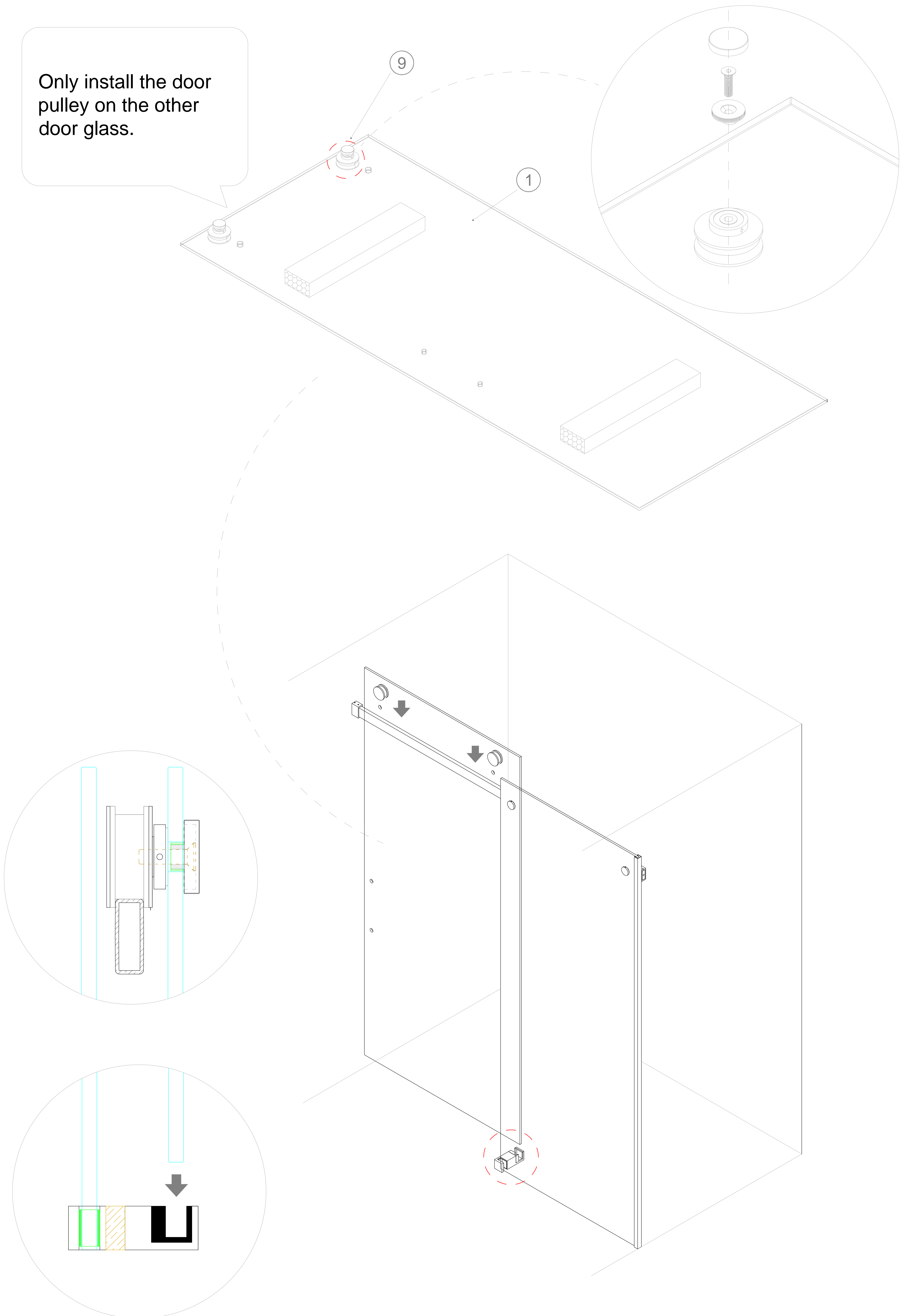


STEP-7: Mounting guide block.

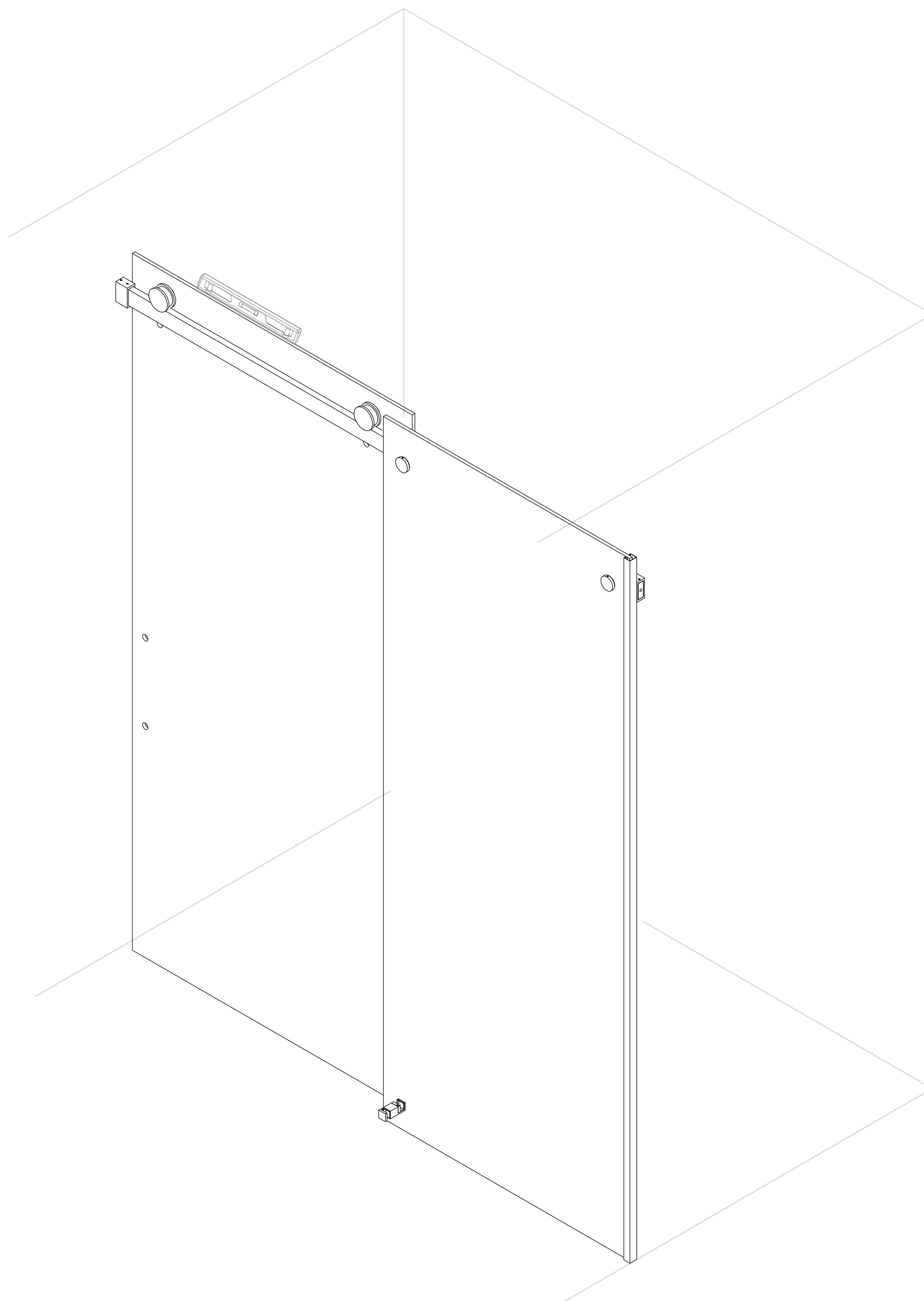
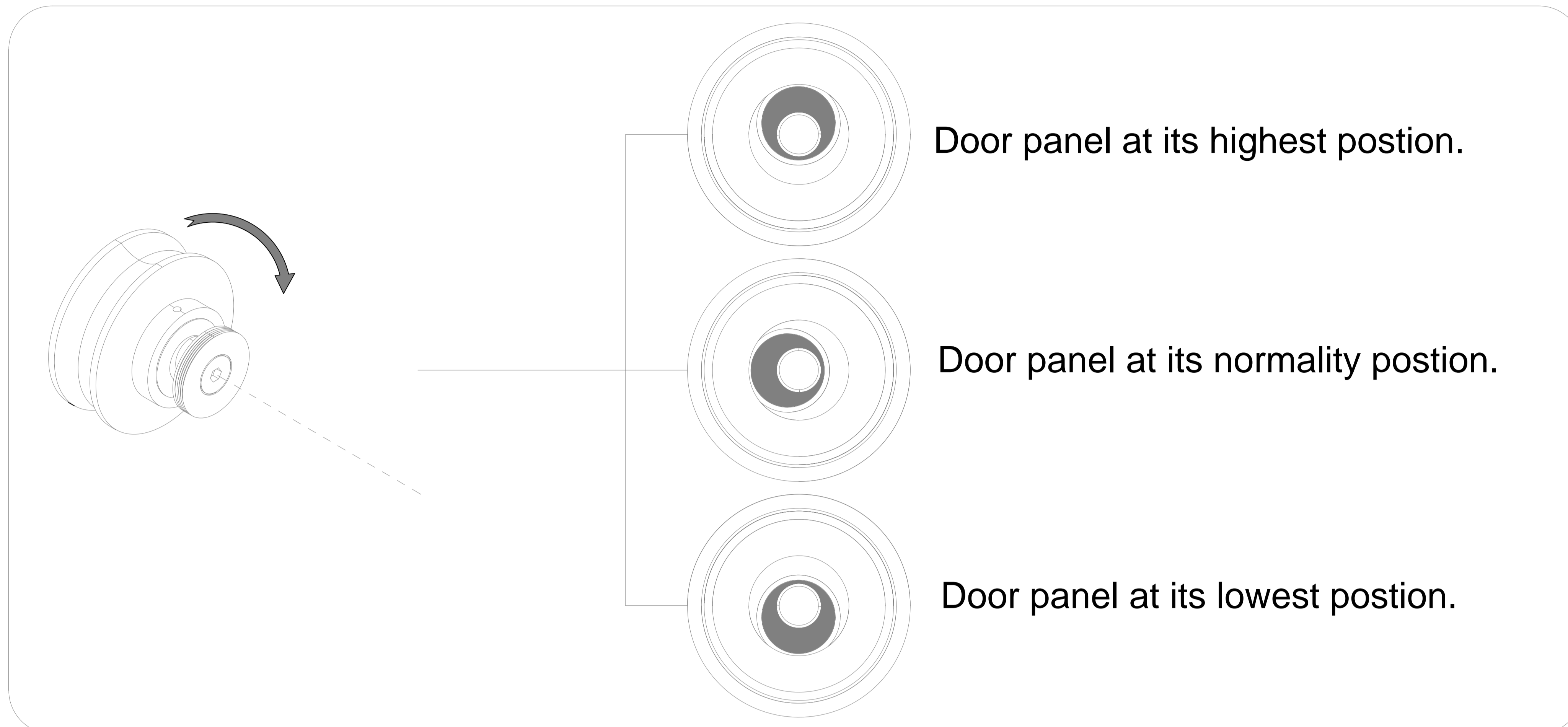
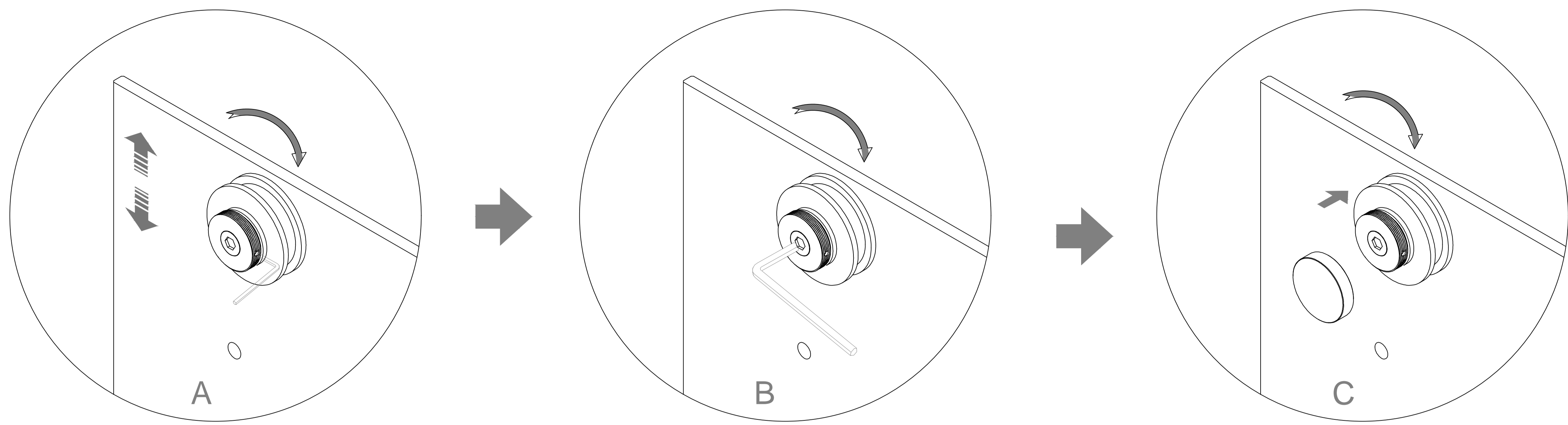


STEP-8: Installation of movable glass.

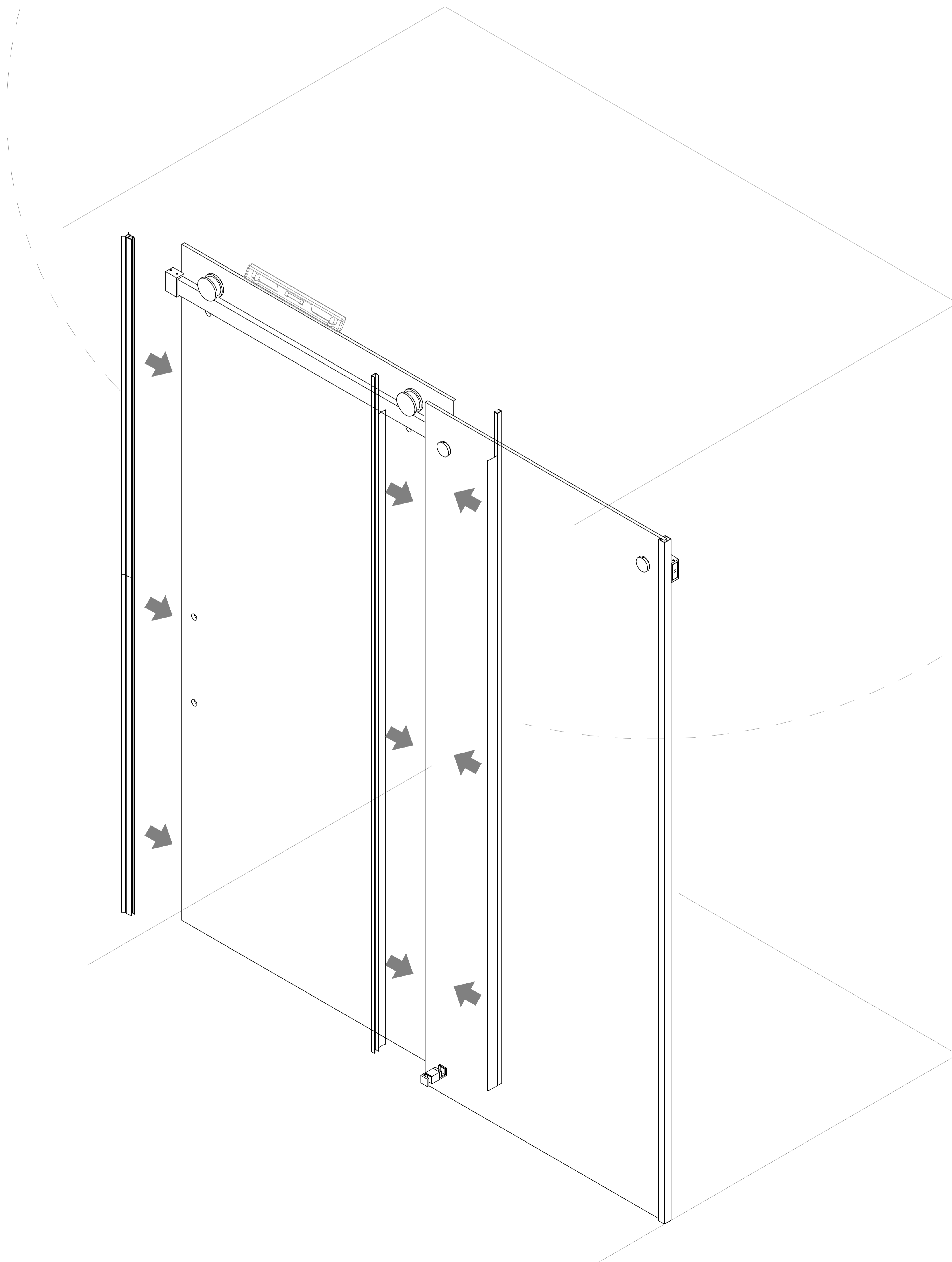
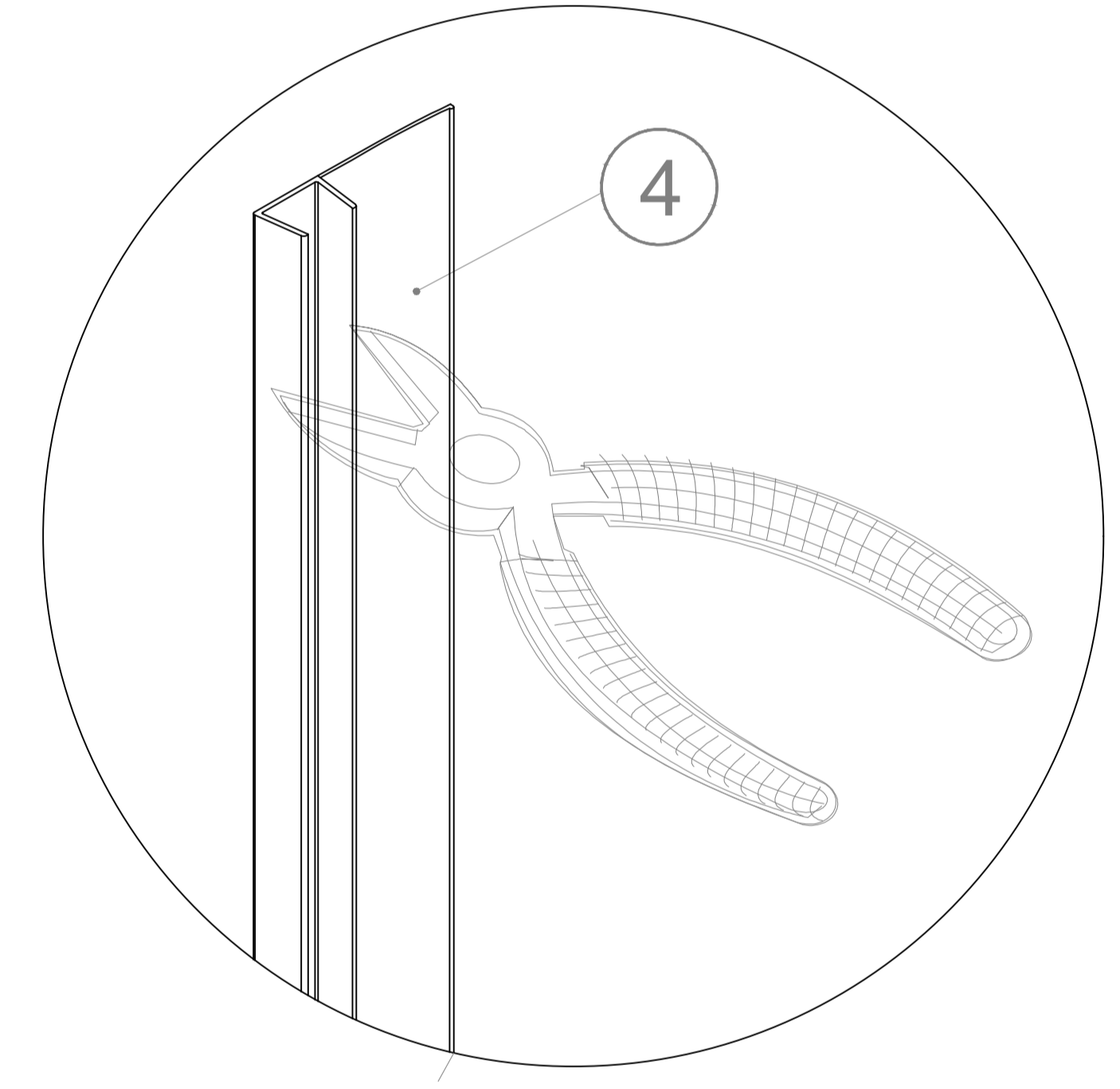
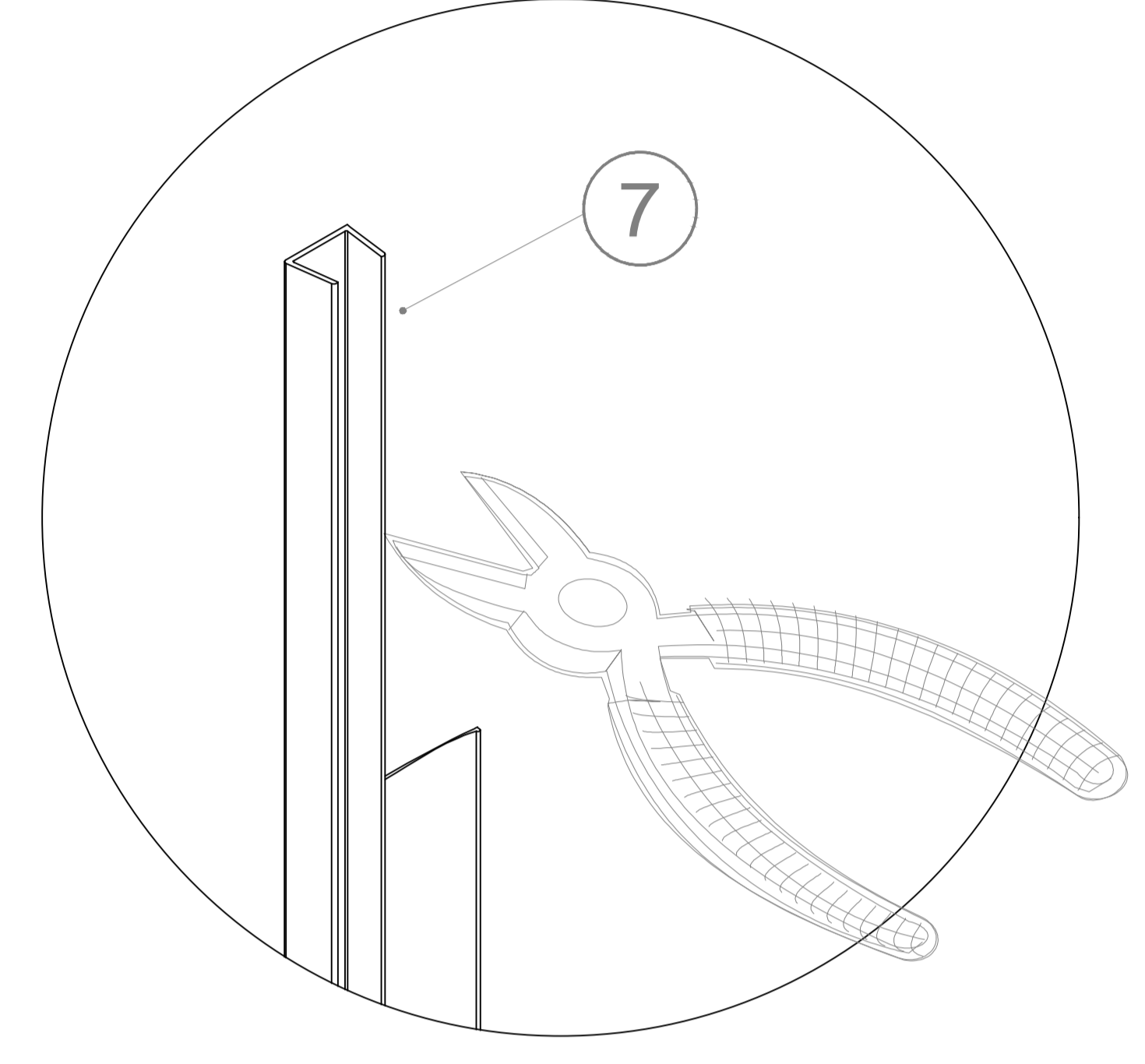
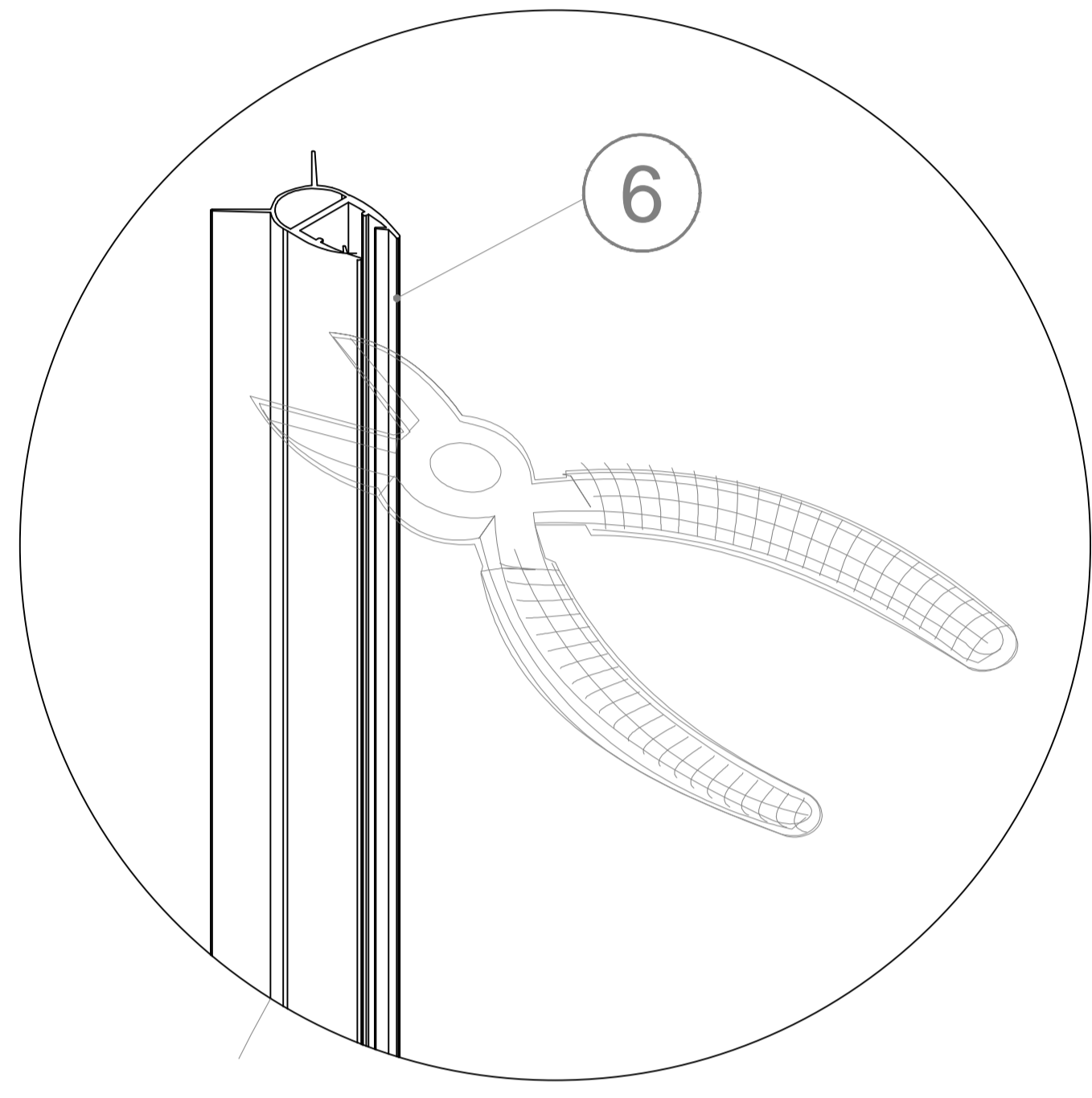
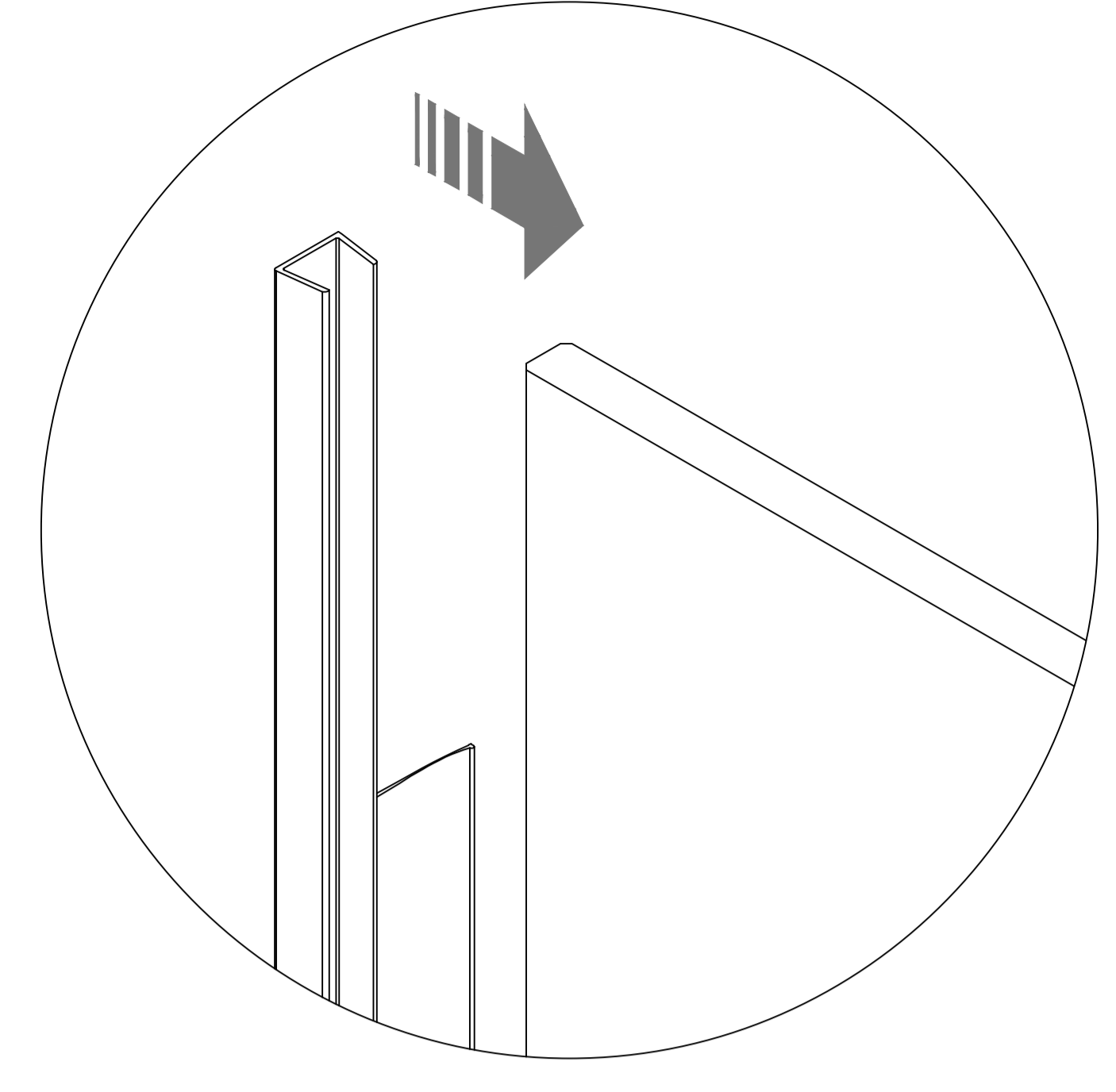
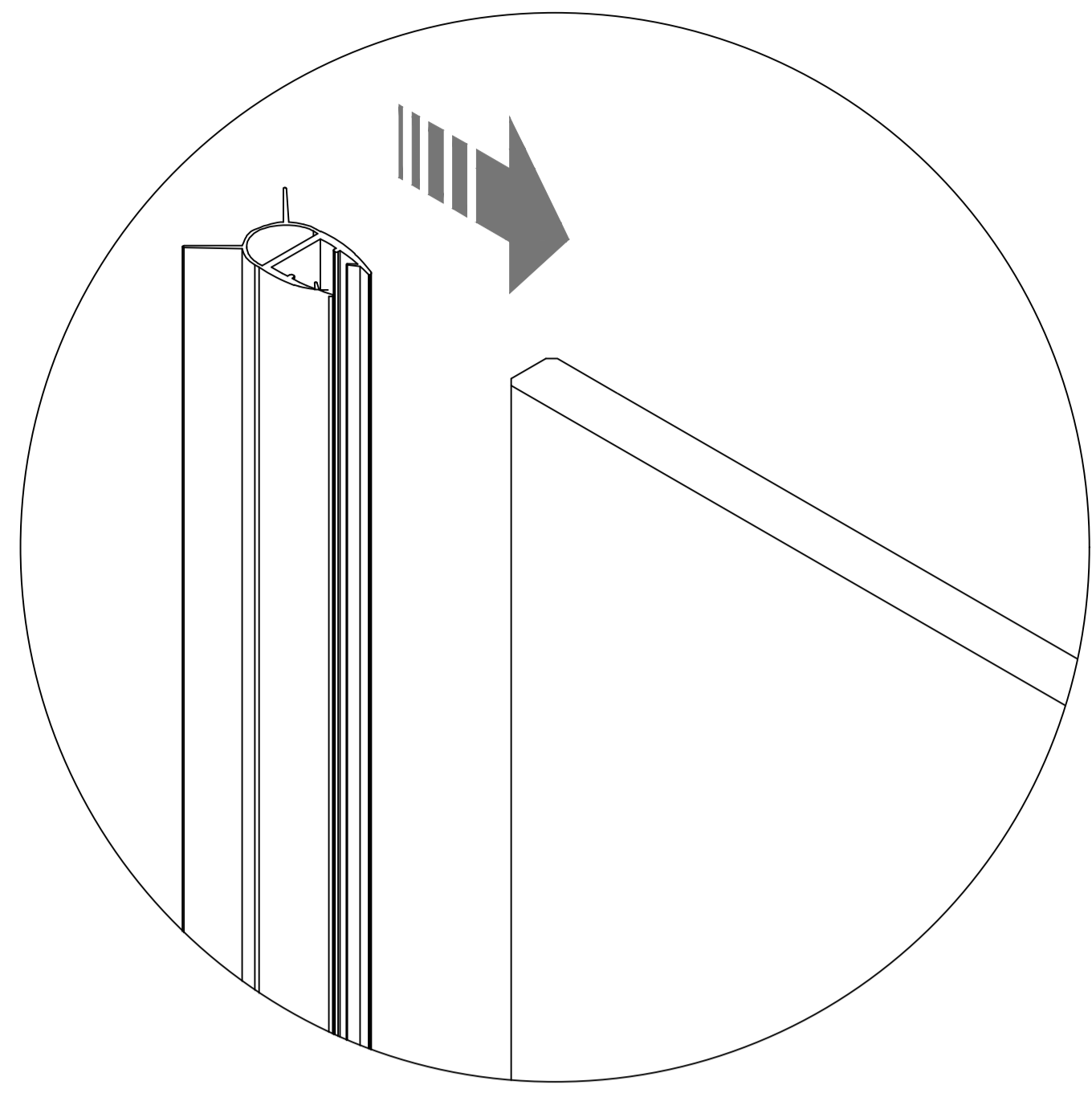
Only install the door pulley on the other door glass.



STEP-9: Adjust the movable glass level.

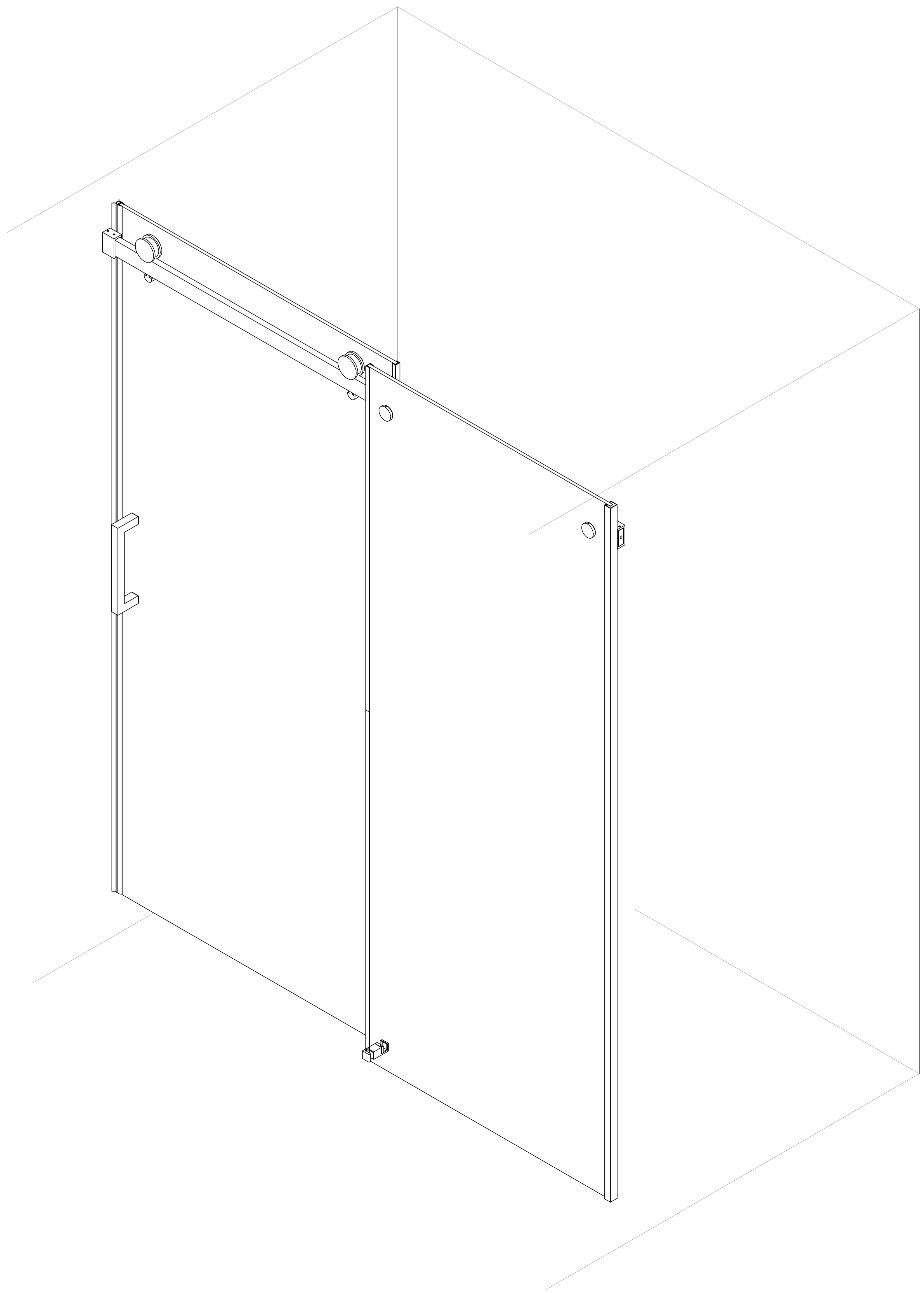
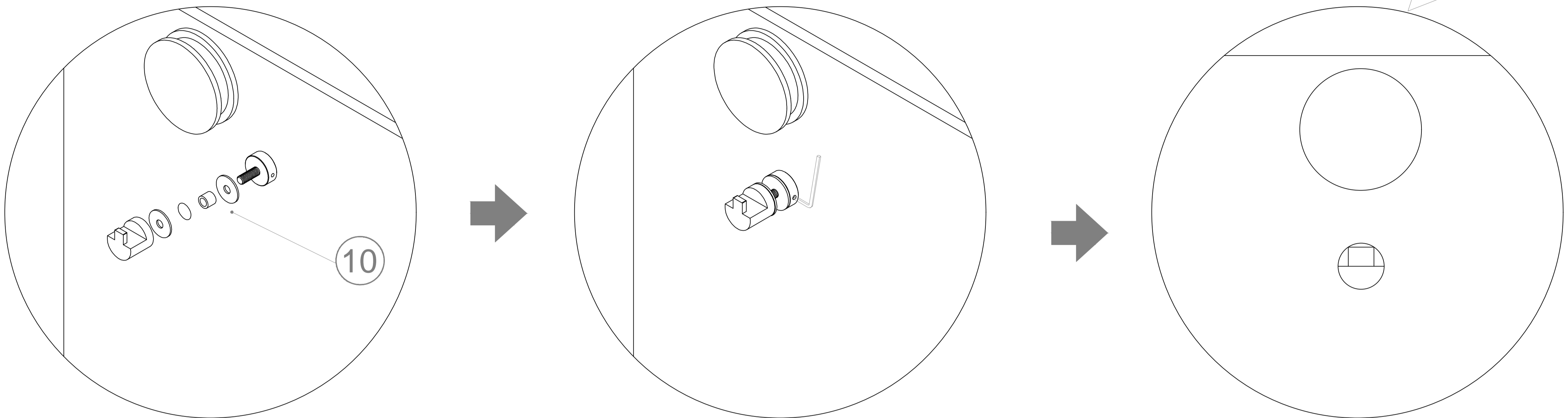


STEP-10: Mounting strip.

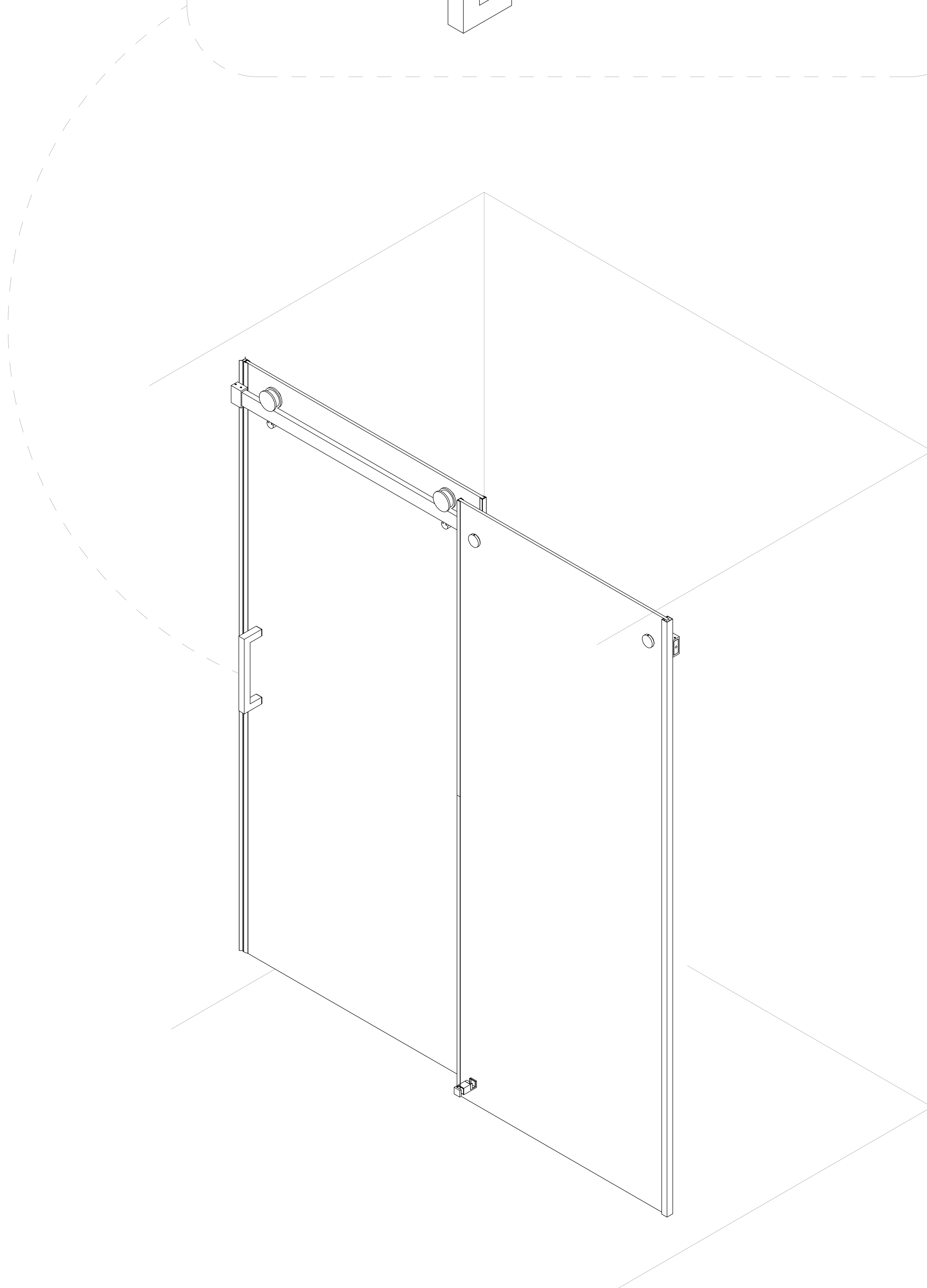
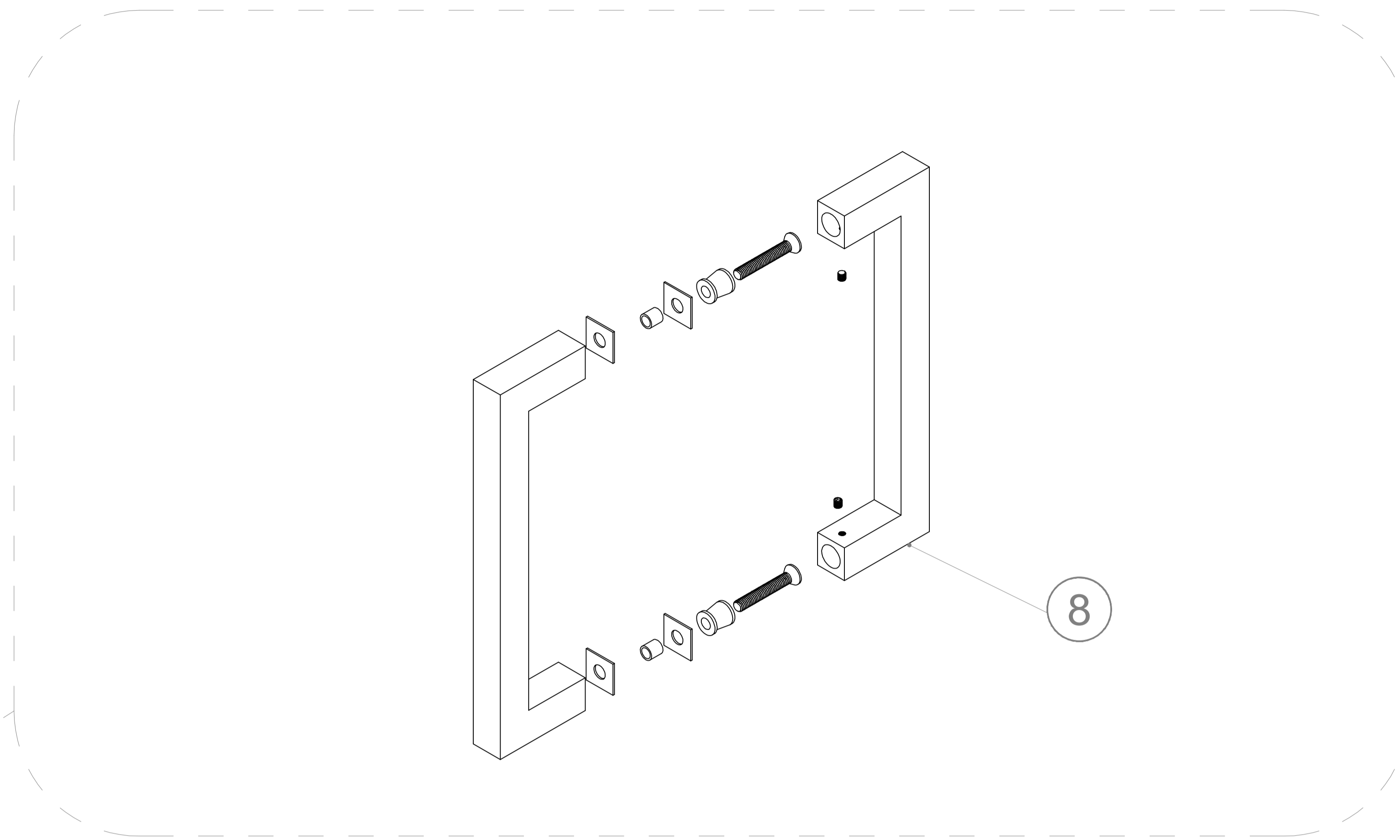


STEP-11: Install the anti-jump trigger.

The anti-jump trigger is perpendicular to the upper pull rod

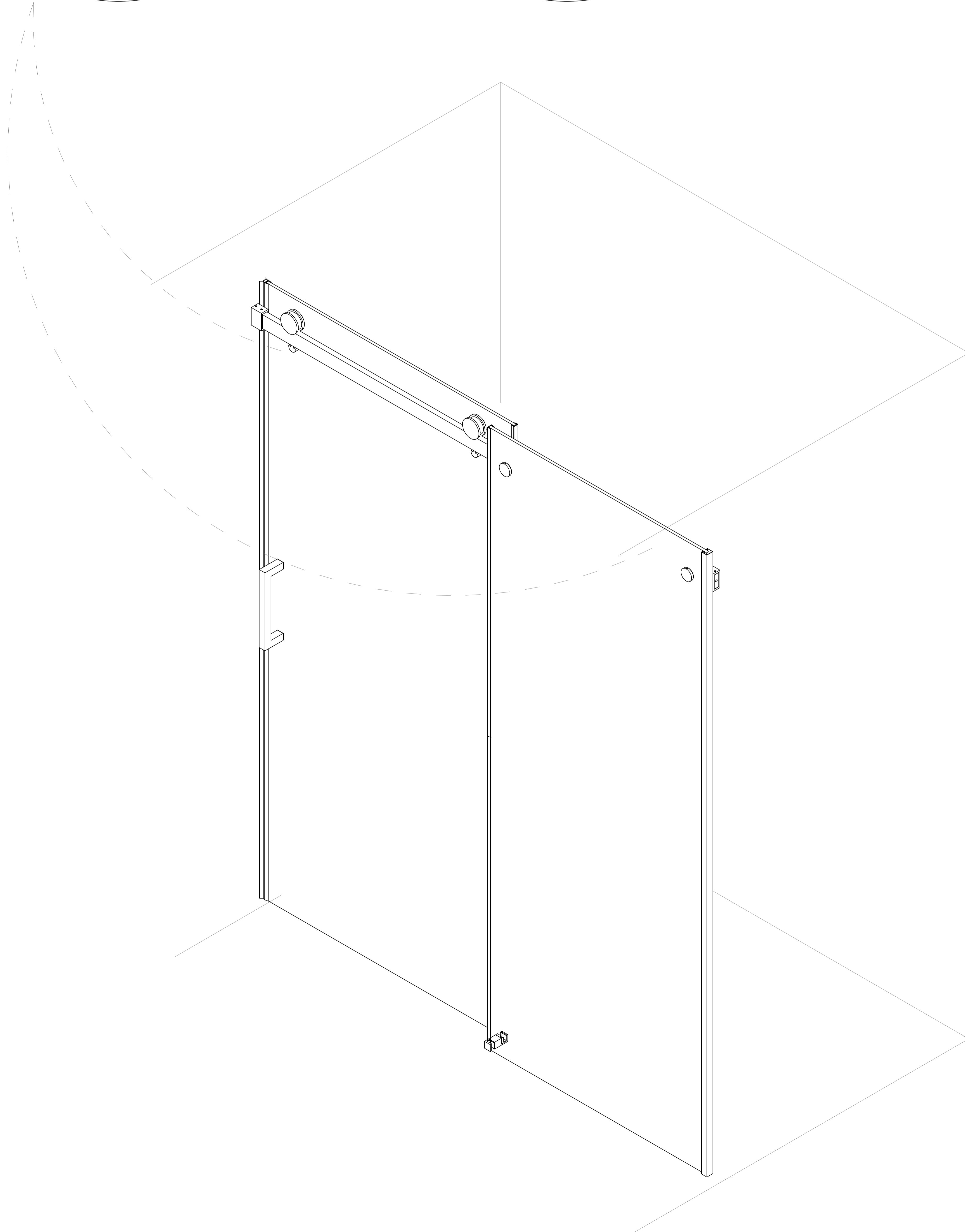
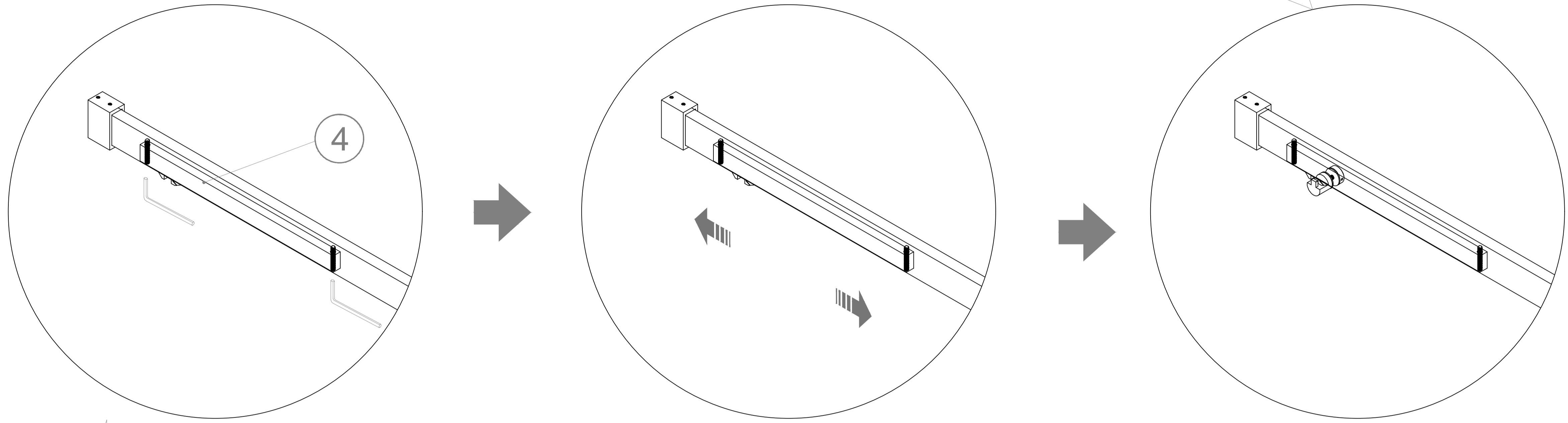


STEP-12:Mounting handle.

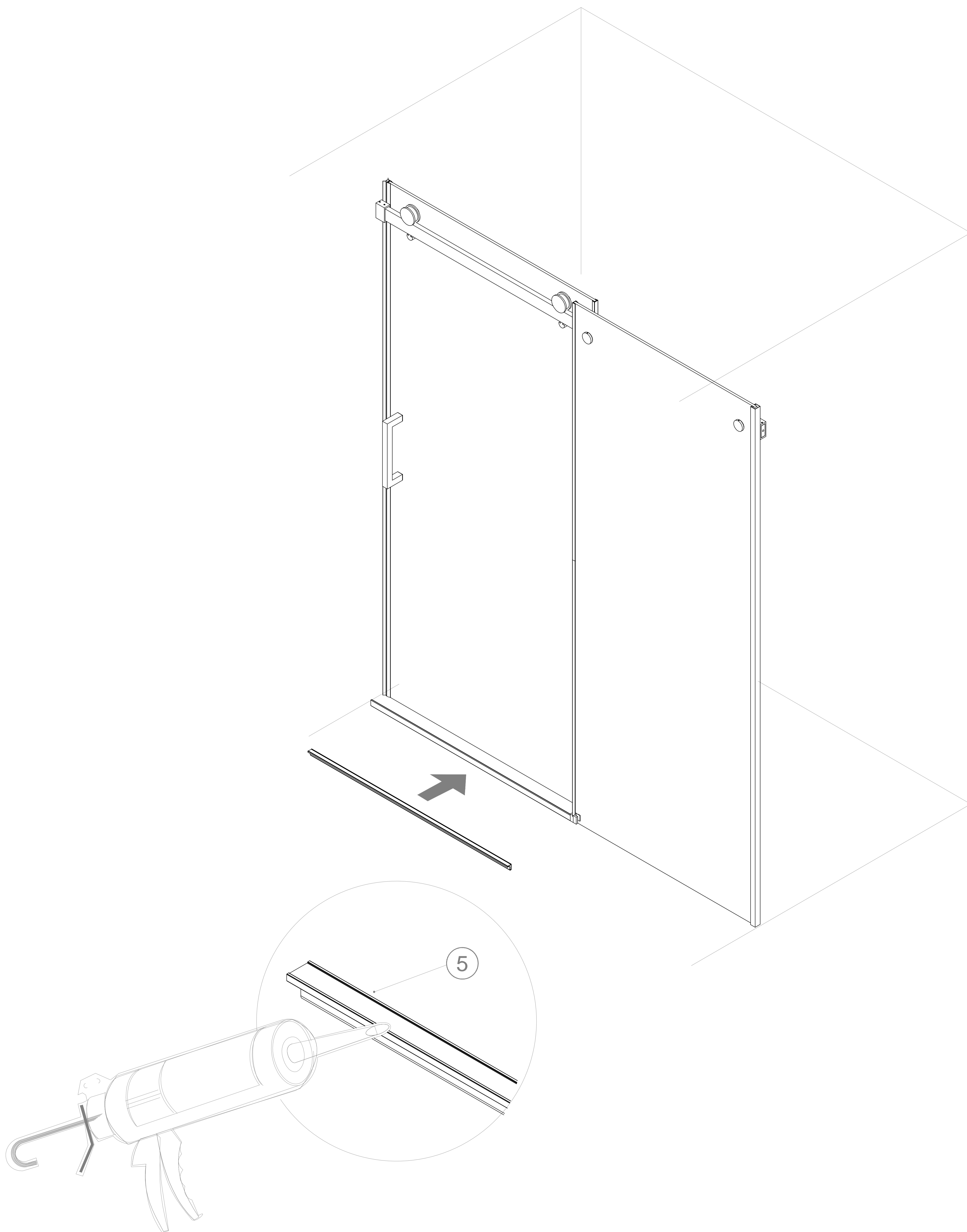


STEP-13: Adjustment buffer.

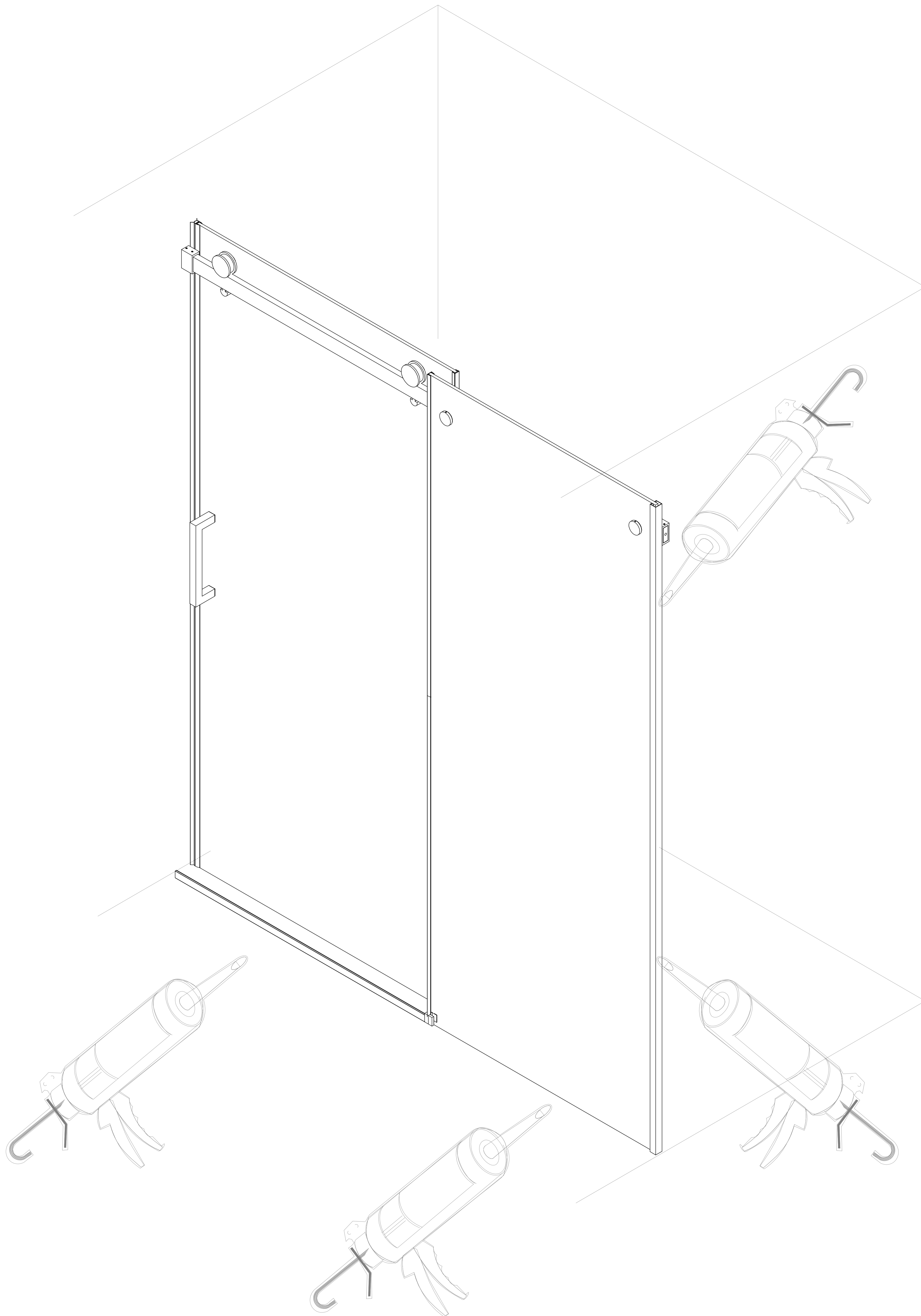
Adjust the buffer, just caught on the anti-jump trigger



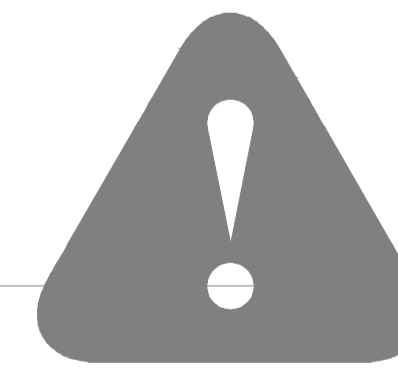
STEP-14: Install lower water baffle.



STEP-15:Secure with glass glue.

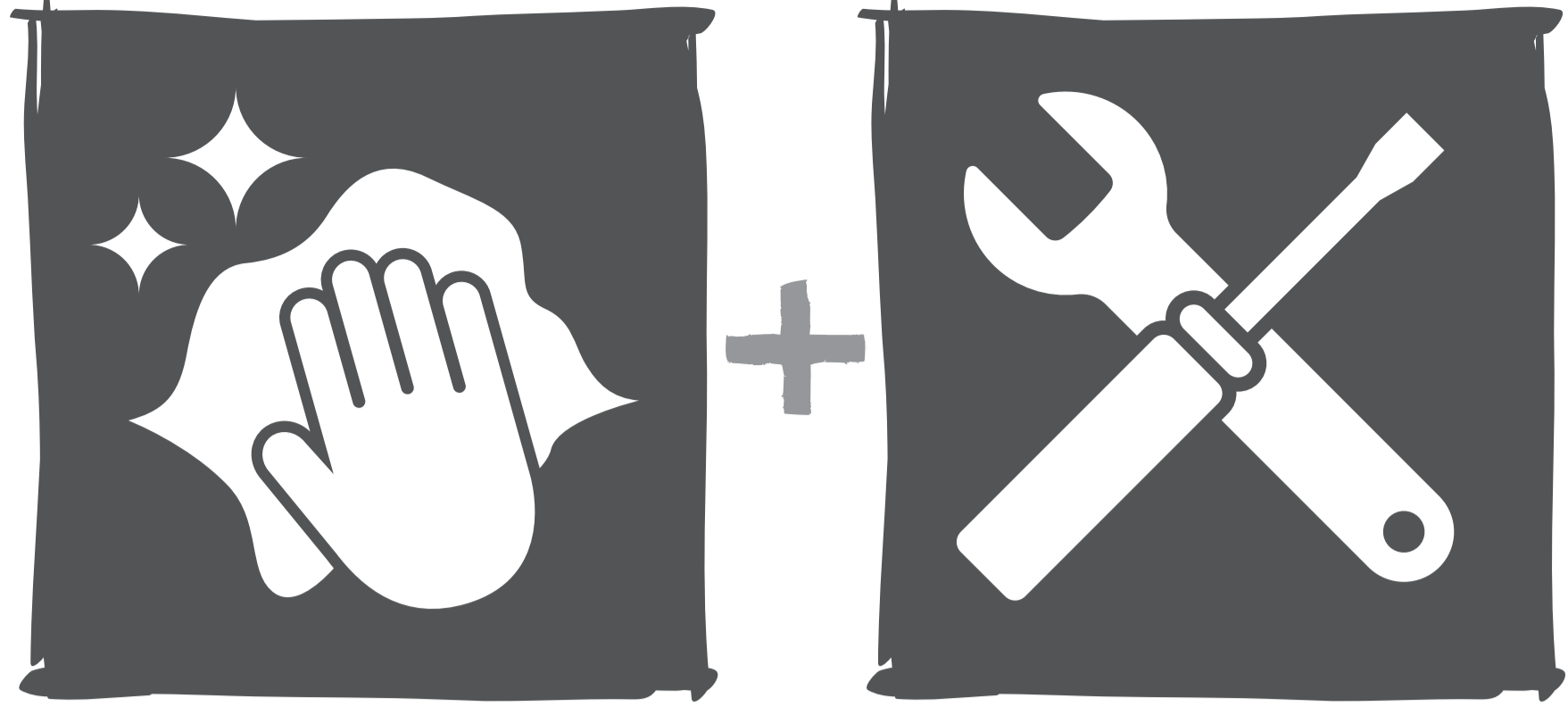


24 HOURS HEURES



**ONLY SEAL THE OUTSIDE OF THE
SHOWER. DO NOT APPLY SILICONE TO
THE INSIDE OF THE SHOWER**

**SCELLER SEULEMENT L'EXTÉRIEUR DE LA
DOUCHE. NE PAS APPLIQUER LA SILICONE
À L'INTÉRIEUR DE LA DOUCHE.**



Care & Maintenance

The golden rules for care

NOTE: Use warm soapy water and a soft damp cloth to keep the glass clean. Wipe dry with a clean cloth. Glass cleaner can be used if required. Scourers, abrasives and chemical cleaners can damage the glass and pattern, and should not be used.

In hard water areas, insoluble lime salts may be deposited on the glass. If this is allowed to build up it becomes increasingly difficult to remove and looks unsightly. Regular cleaning will minimize this effect.

- Do not attempt to cut the glass.
 - Do not strike the glass with hard or pointed items.
 - Regularly check moving parts such as rollers and hinges to ensure they are secure and adjusted correctly. Tighten and adjust where required. Also check all sealed joints to ensure seal has not deteriorated. Re-seal if required.
-