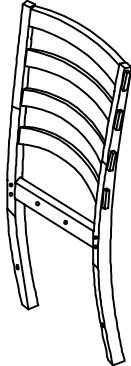


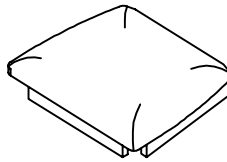
# ASSEMBLY INSTRUCTION

DO NOT FULLY TIGHTEN BOLTS UNTIL THE ENTIRE ITEM IS COMPLETELY ASSEMBLED

**A=1PC**



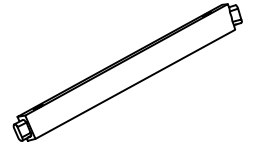
**B=1PCS**







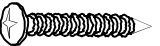


**C=2PCS**

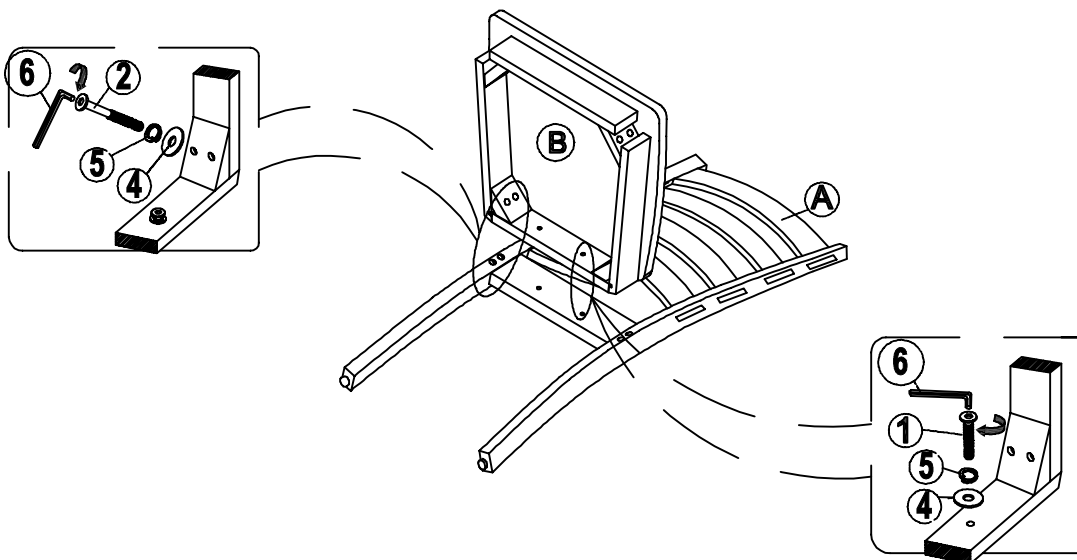


**D=2PCS**

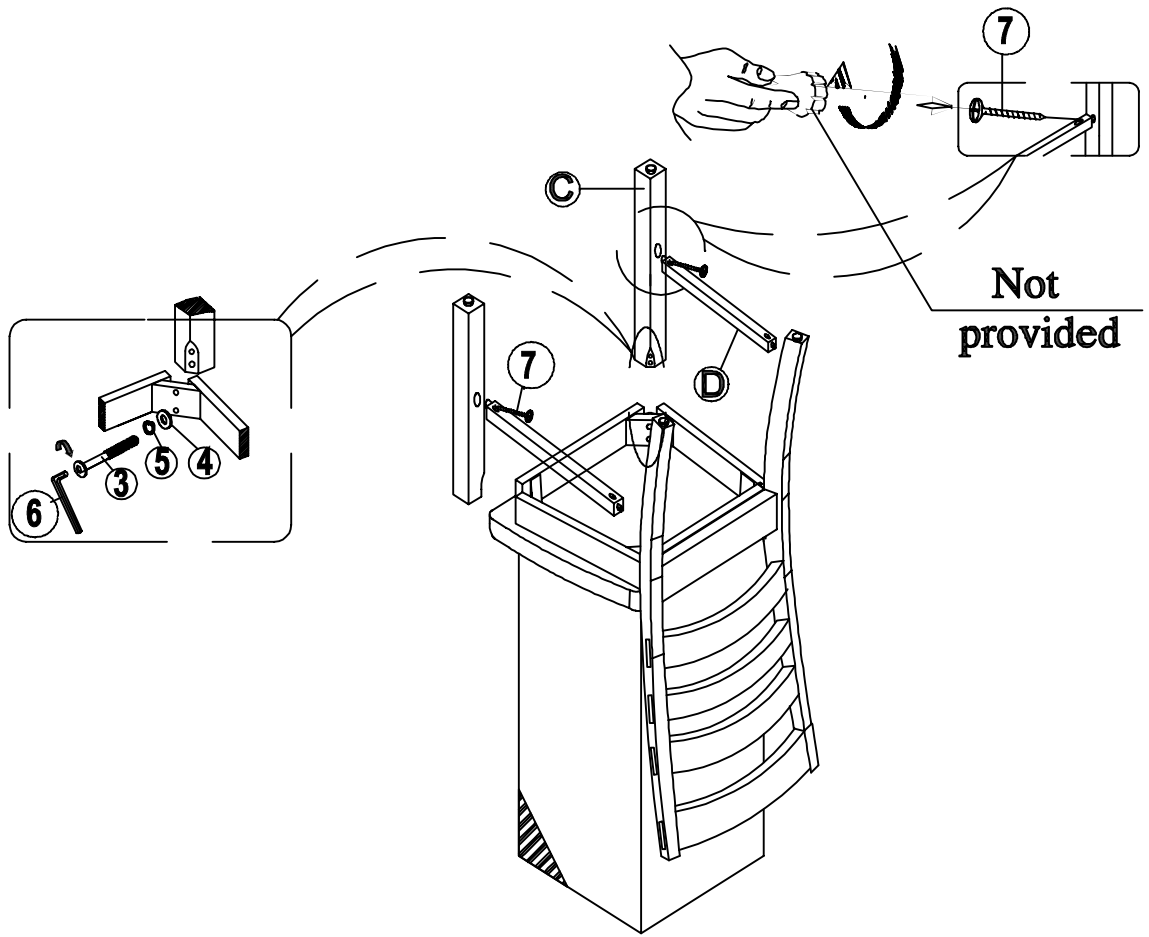


No.	Description.		Q.Ty
1	<b>BOLT Ø 5/16" x 38mm</b>		<b>02 Pcs</b>
2	<b>BOLT Ø 5/16" x 75mm</b>		<b>04 Pcs</b>
3	<b>BOLT Ø 5/16" x 50mm</b>		<b>04 Pcs</b>
4	<b>FLAT WASHER</b>		<b>10 Pcs</b>
5	<b>SPRING WASHER</b>		<b>10 Pcs</b>
6	<b>ALLEY KEY</b>		<b>1 Pcs</b>
7	<b>SCREW Ø1/6" x 42mm</b>		<b>4 Pcs</b>

## STEP 1



**STEP 2**



**COMPLETTELY**

