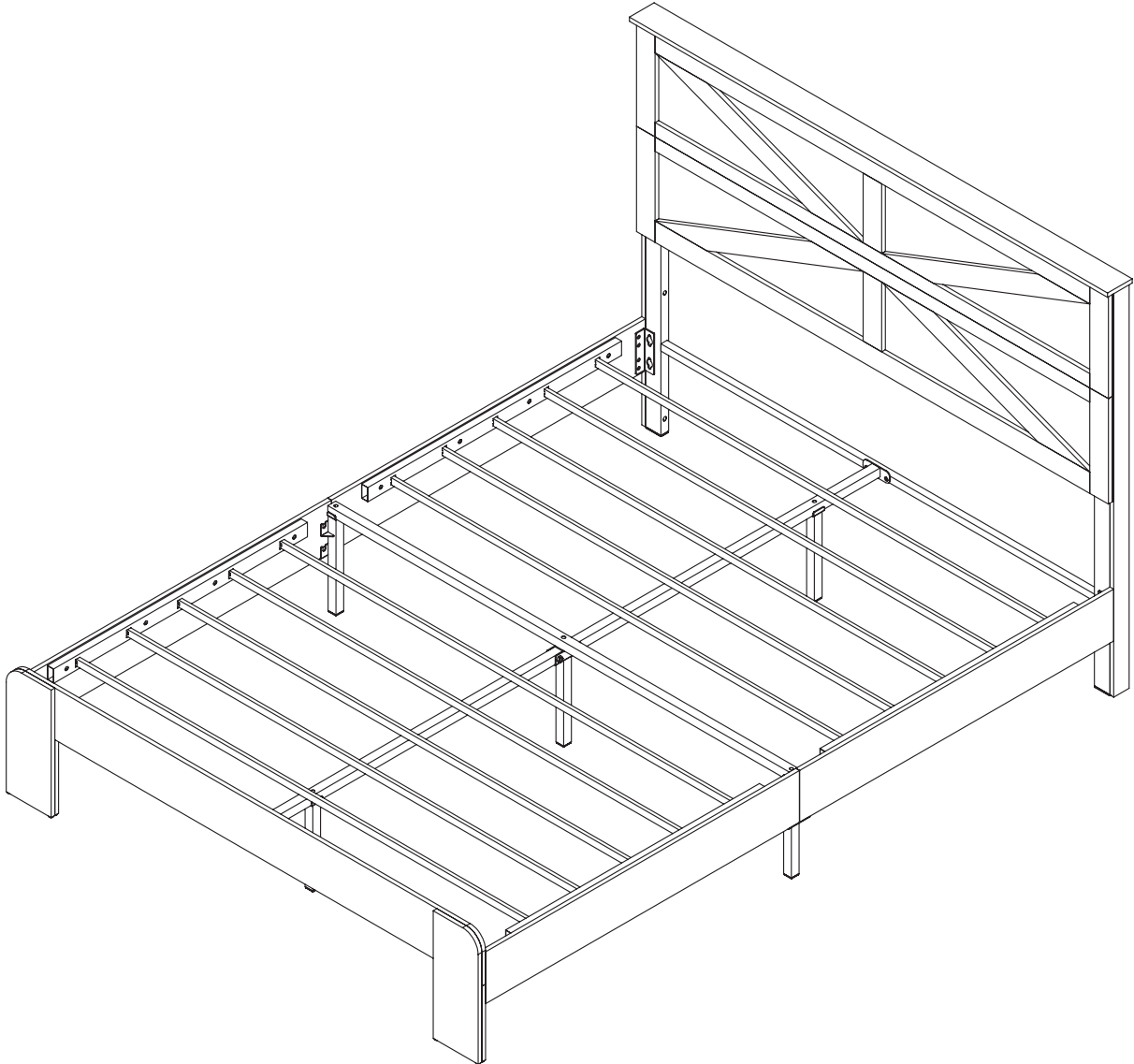
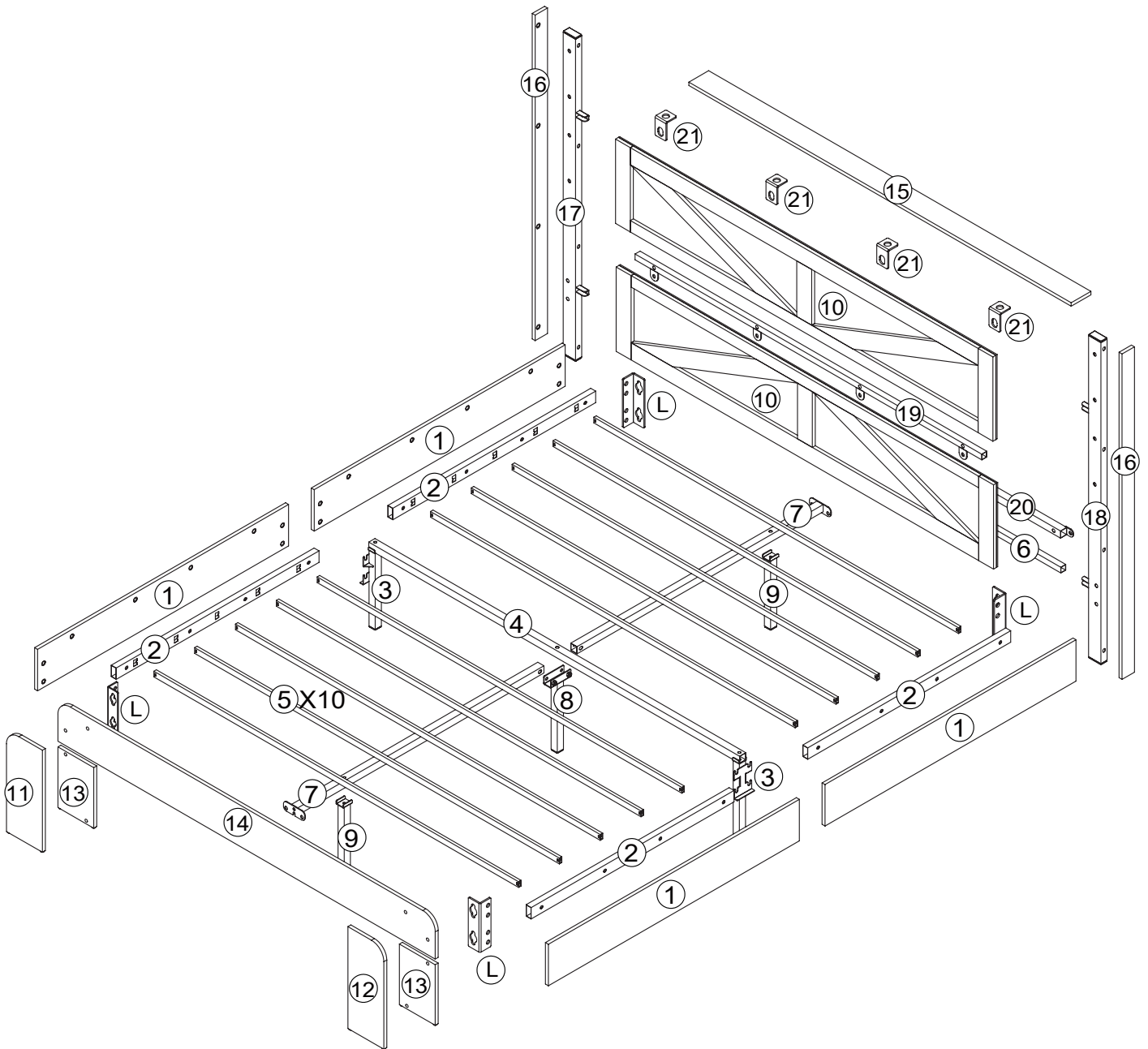


BED FRAME



Thank you for choosing our products, please assemble and use it following the instructions.

Assembly Instruction



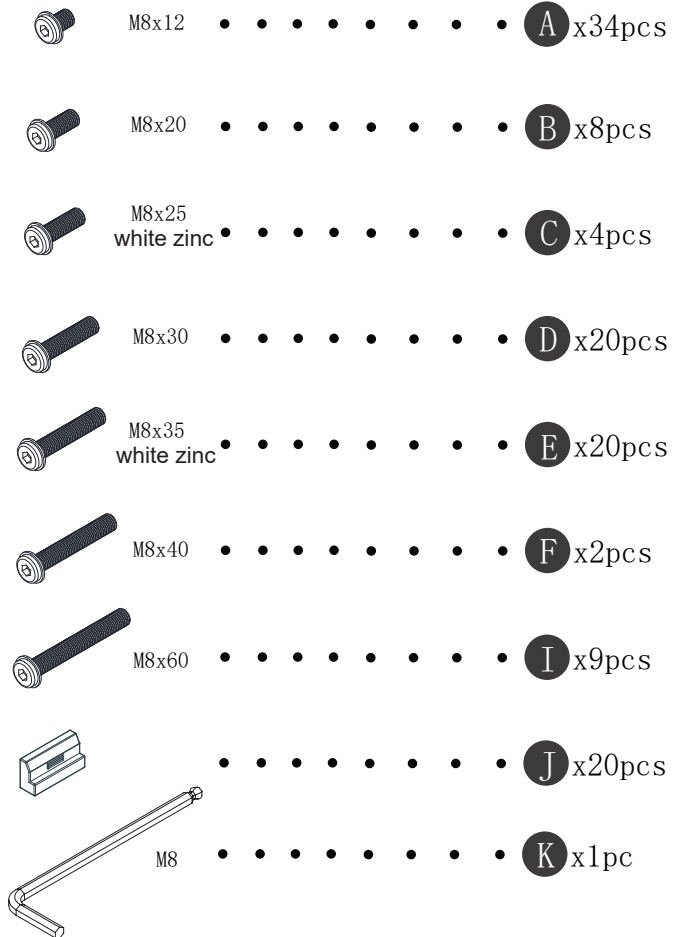
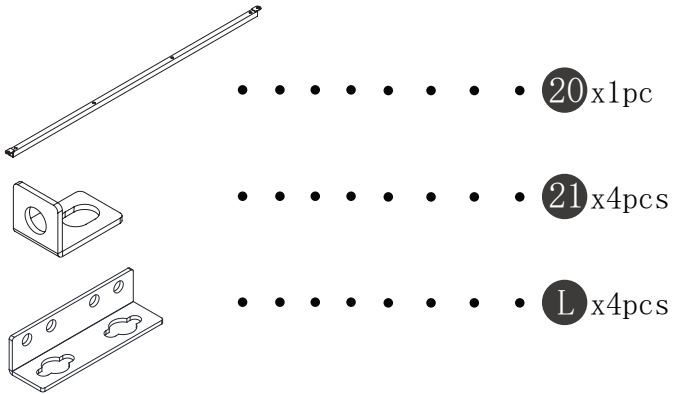
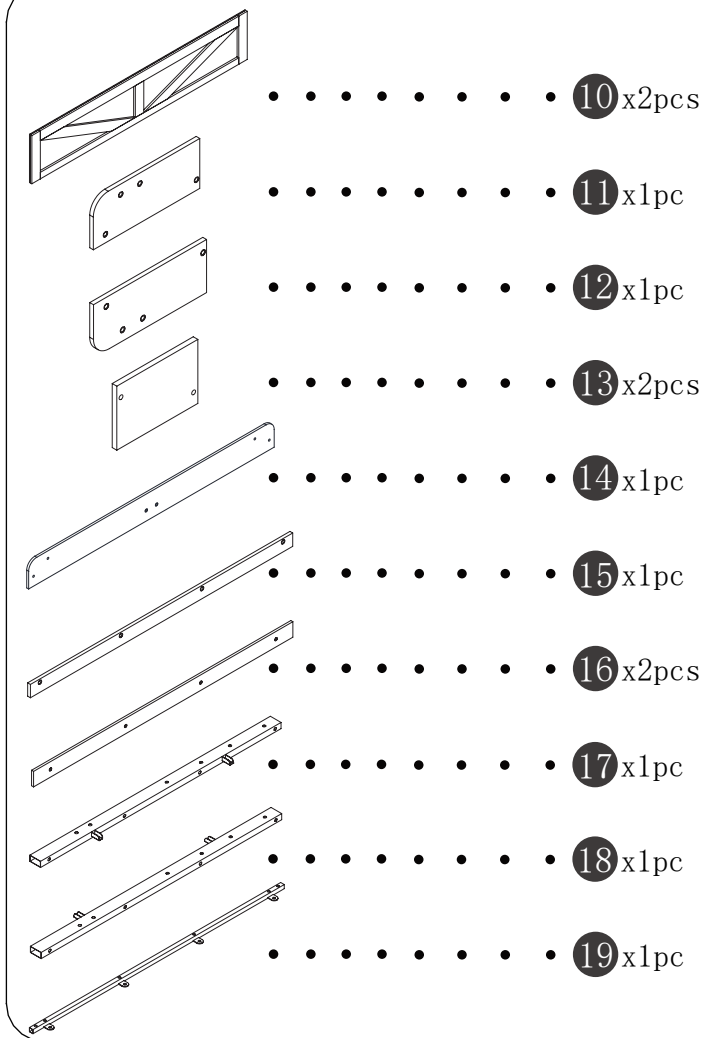
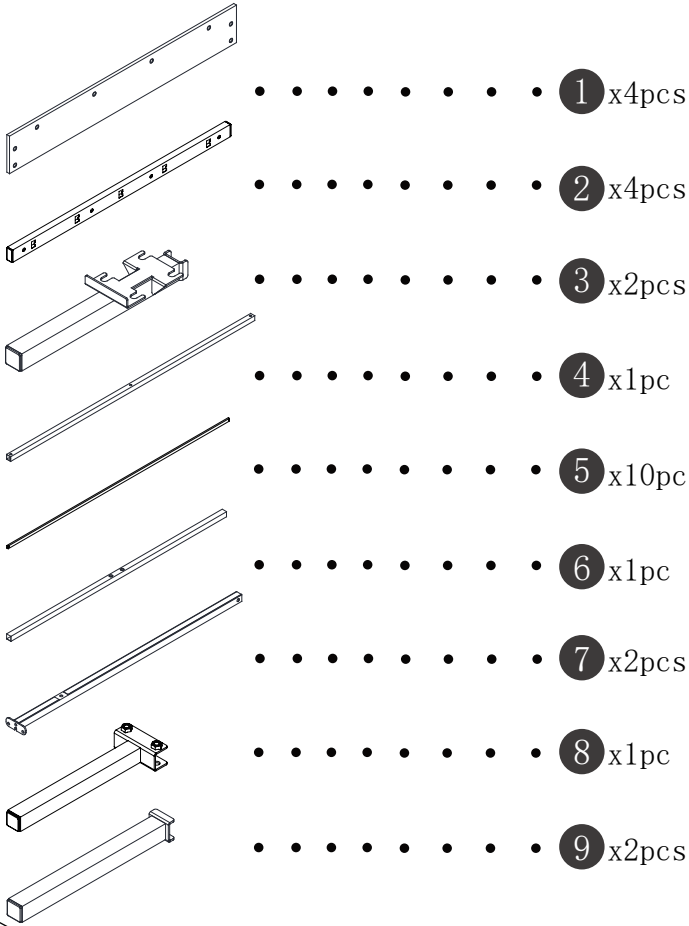
F/Q/K

Important Note

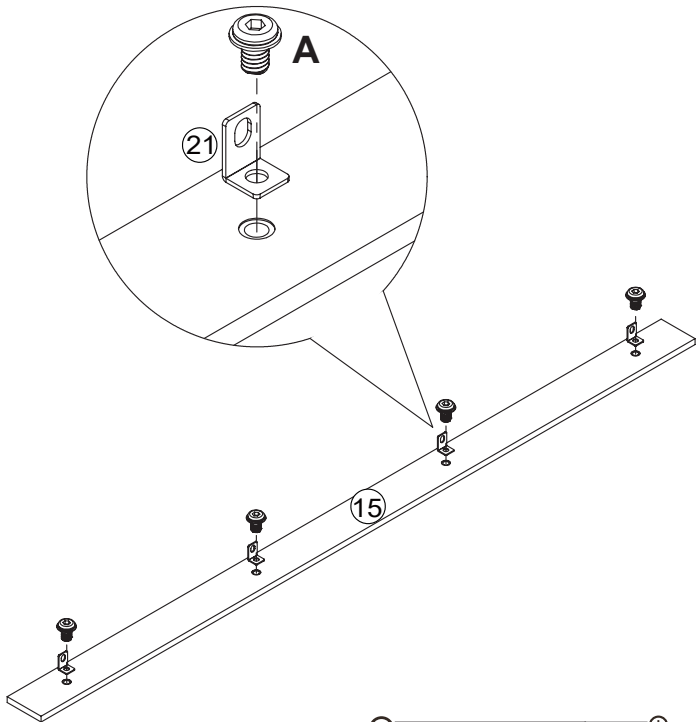
HARDWARE NOTE :

- 1. Two or more people are required for assembly
- 2. Do not screw on the bolts too tight unless the installation is done. Make sure all bolts are tightly screwed before you use it.

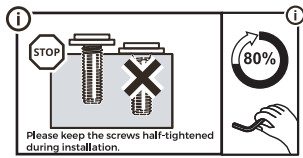
Components



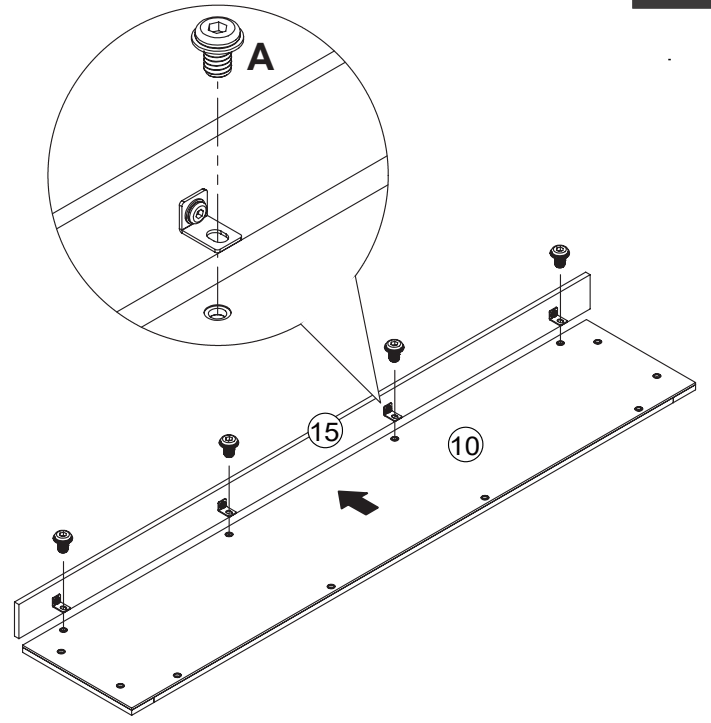
1



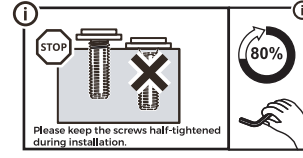
A		4pcs
M8x12		



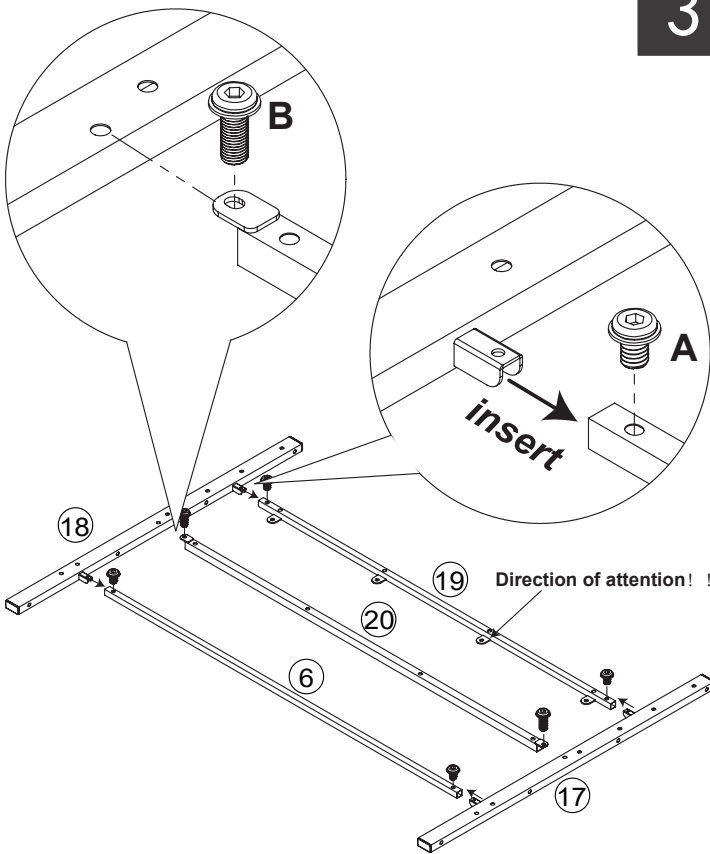
2



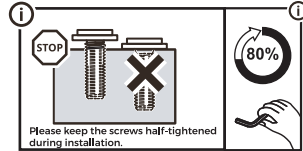
A		4pcs
M8x12		



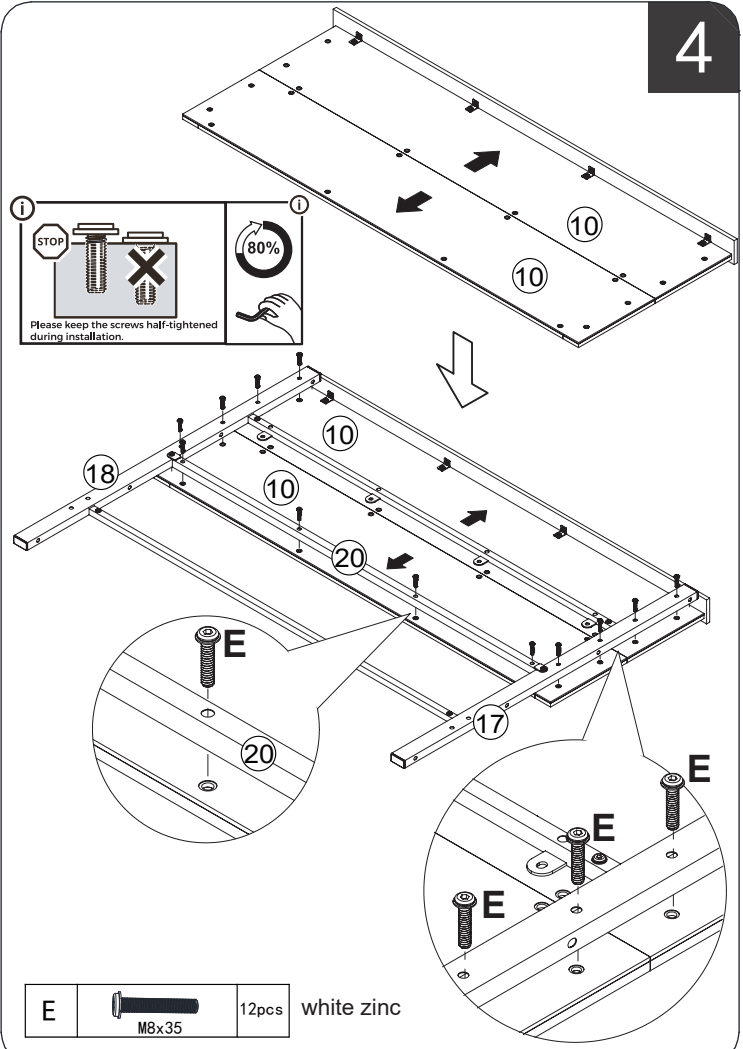
3



A		4pcs
M8x12		
B		2pcs
M8x20		

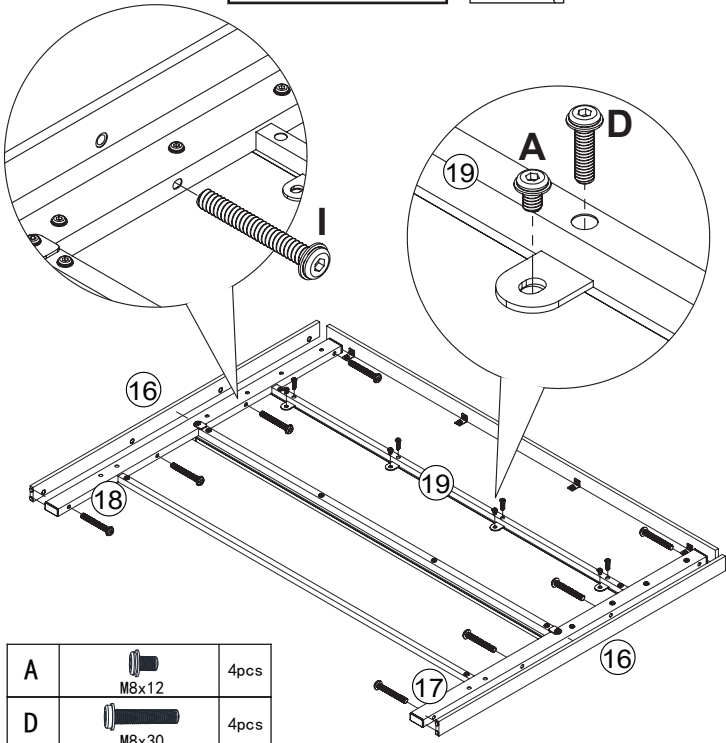
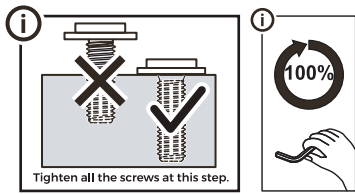


4



E		12pcs	white zinc
M8x35			

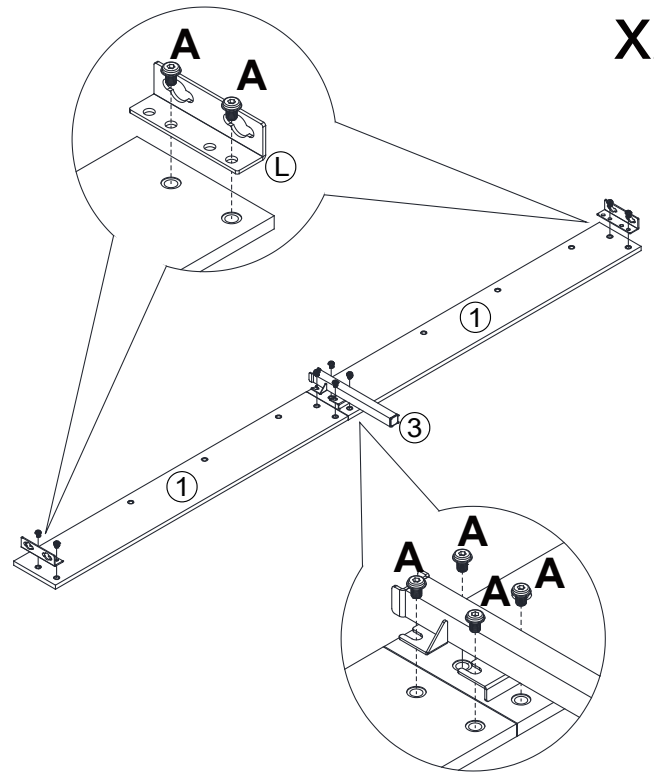
5



A		4pcs
D		4pcs
I		8pcs

6

x2



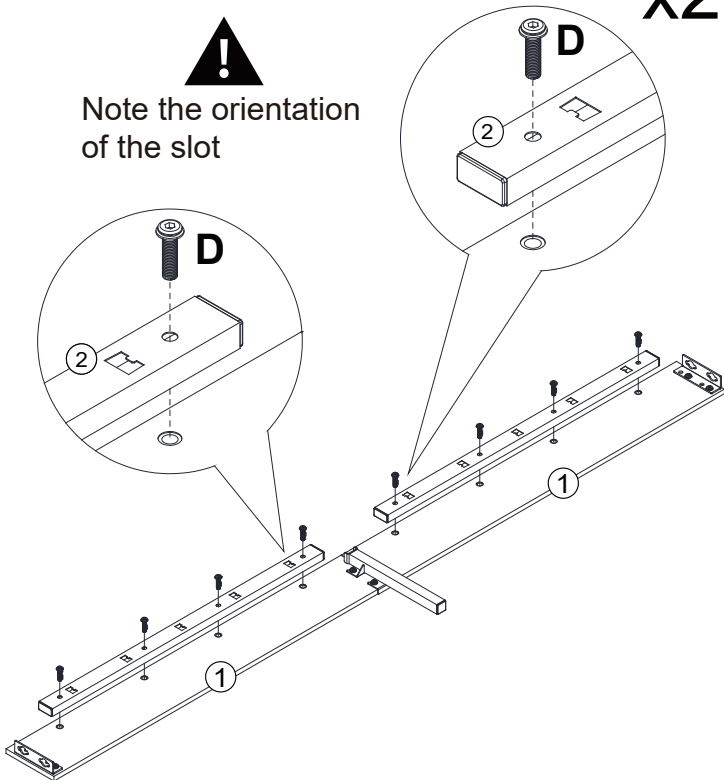
A		16pcs
---	--	-------

7

x2

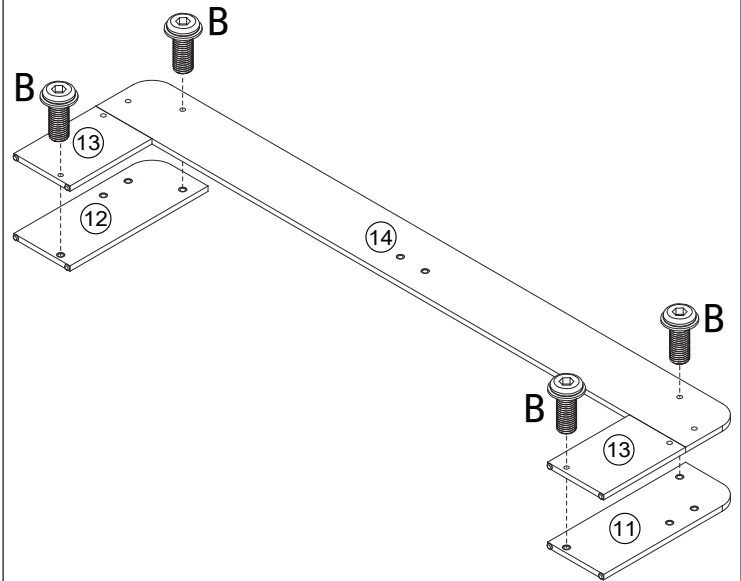


Note the orientation of the slot



D		16pcs
---	--	-------

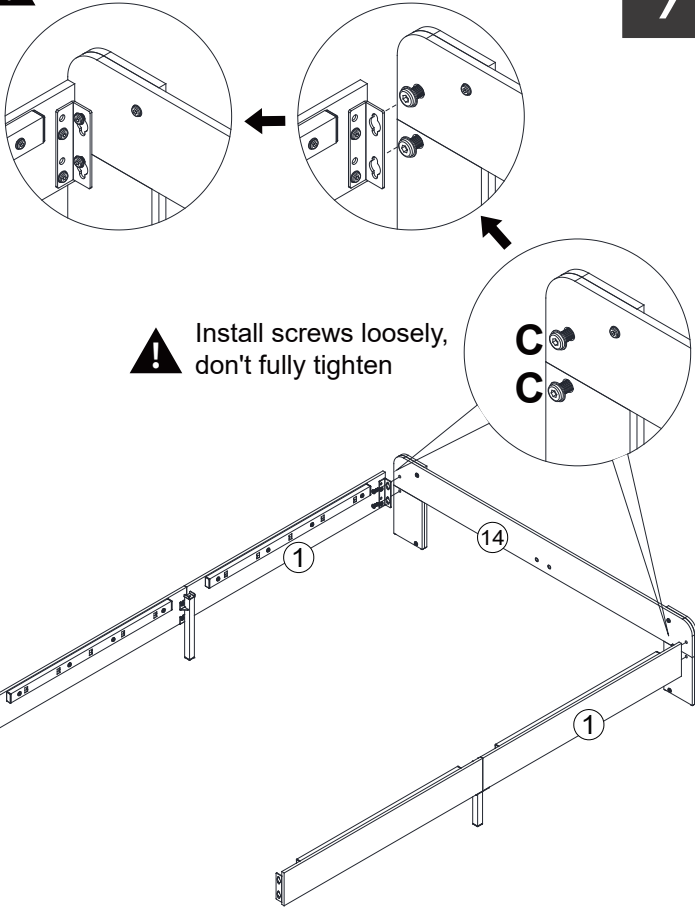
8



B		4pcs
---	--	------

! Tighten screws

9

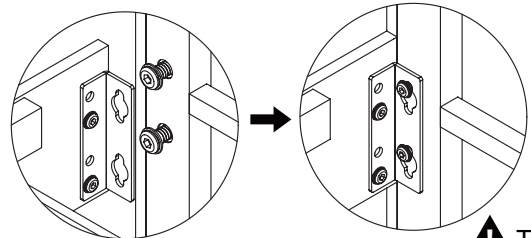


! Install screws loosely, don't fully tighten

C
C

C		4pcs	white zinc
	M8x25		

10



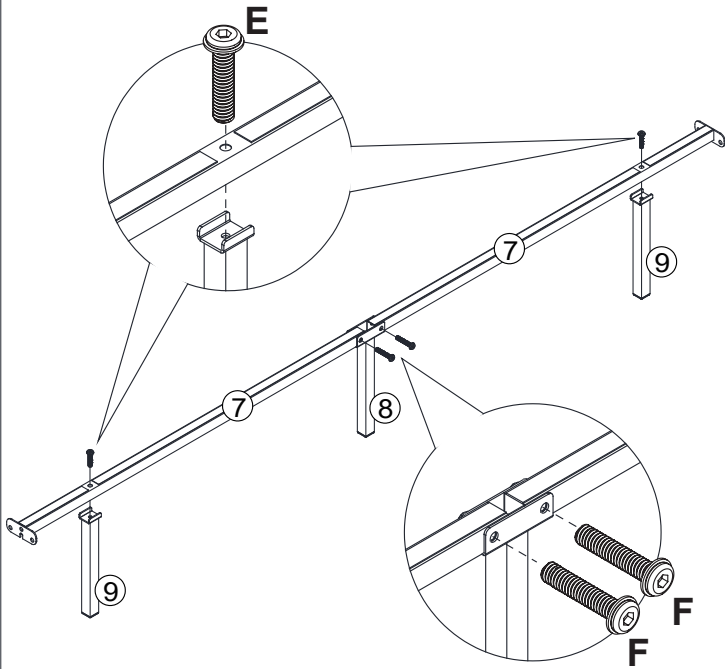
! Tighten screws



! Install screws loosely, don't fully tighten

E
E

E		4pcs	white zinc
	M8x35		

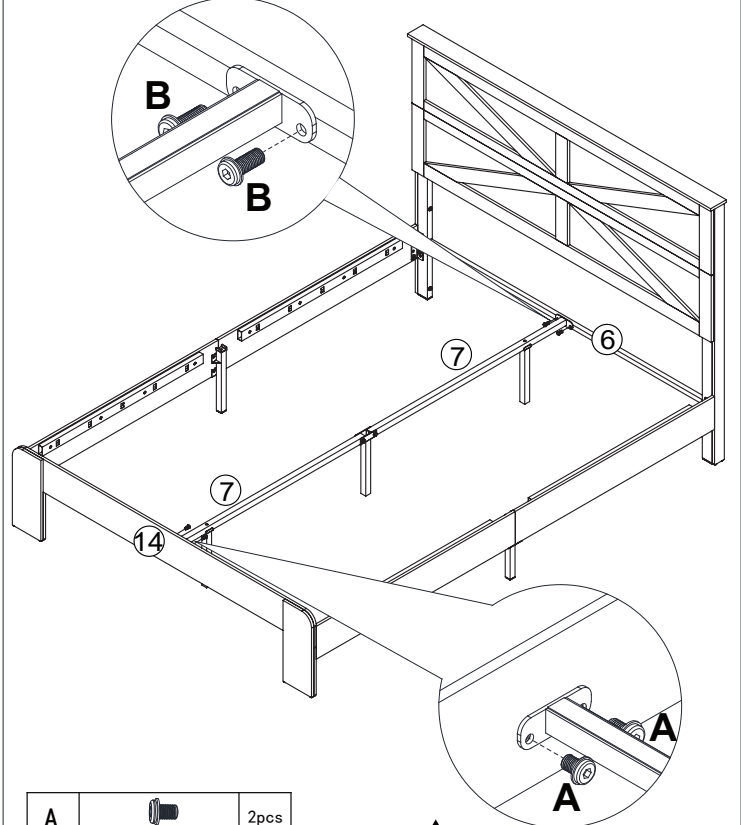
11




E		2pcs	white zinc
	M8x35		
F		2pcs	
	M8x40		

12

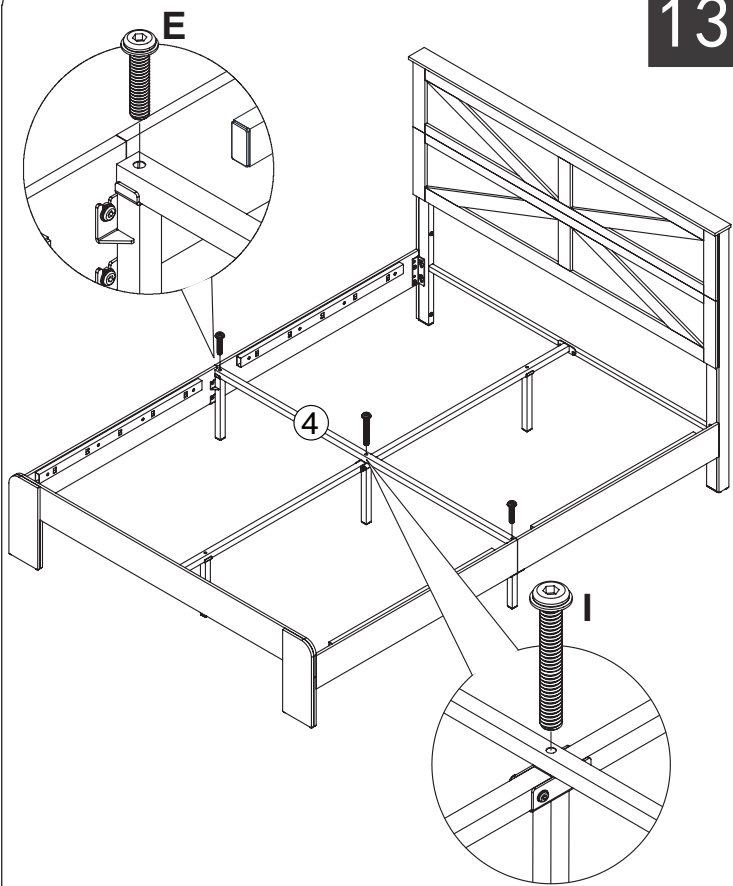
! Assemble second





! to Assemble first

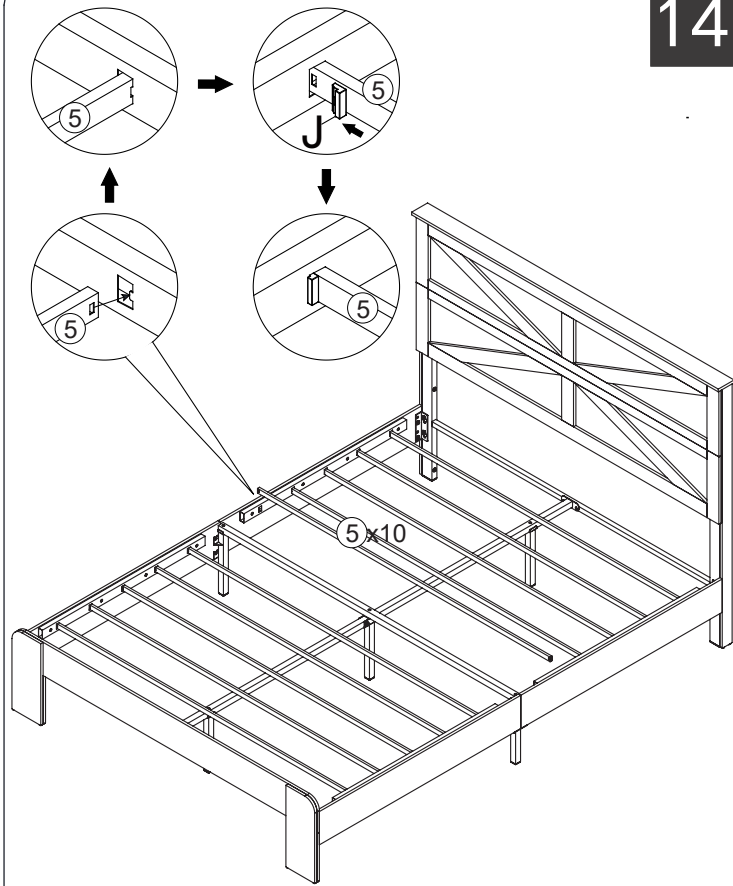
A		2pcs	
	M8x12		
B		2pcs	
	M8x20		

13



E		2pcs	white zinc
	M8x35		
I		1pc	
	M8x60		

14





J		20pcs
---	--	-------

15

Installation Complete



 Make sure the assembly holes are aligned.
 TIGHTEN ALL THE SCREWS COMPLETELY.