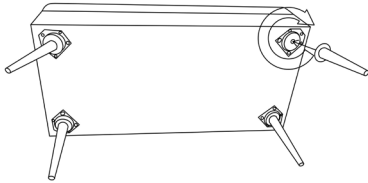
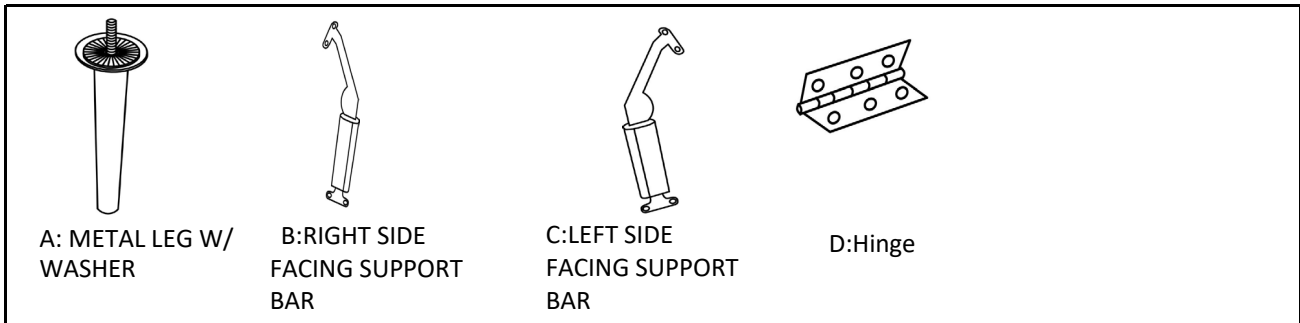
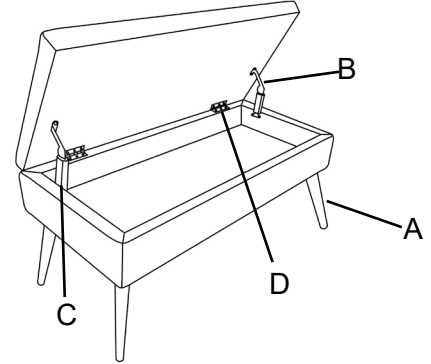


ASSEMBLY INSTRUCTIONS & PARTS IDENTIFICATION NATURAL STORAGE BENCH

PARTS LIST

Item		Description	Qty
A		METAL LEG	4PCS
B		RIGHT SIDE FACING SUPPORT BAR	1PC
C		LEFT SIDE FACING SUPPORT BAR	1PC
D		HINGE	2 PCS



Assembly Steps:

Step 1. REMOVE LEGS FROM STORAGE SPACE

Step 2. INSTALL THE LEGS TO THE STORAGE BENCH

FABRIC CARE INSTRUCTIONS
REGULAR CARE

Clean only with a water-based shampoo or foam upholstery cleaner.
Do not over wet. Do not use solvents to spot clean.
Pile fabrics may require brushing to restore appearance.

**FABRIC CONTENT 100% POLYESTER -
CLEANING CODE "W"**

