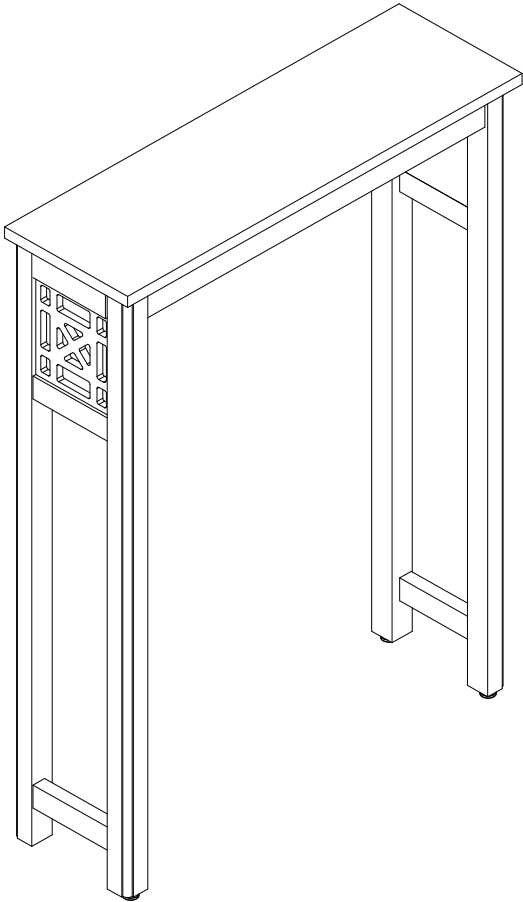


ASSEMBLY INSTRUCTIONS

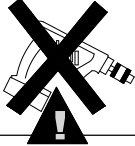
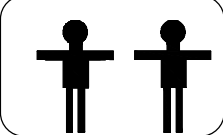

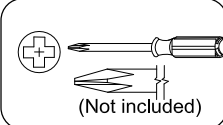
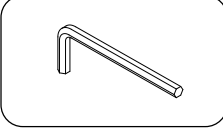
Over Toilet Shelf



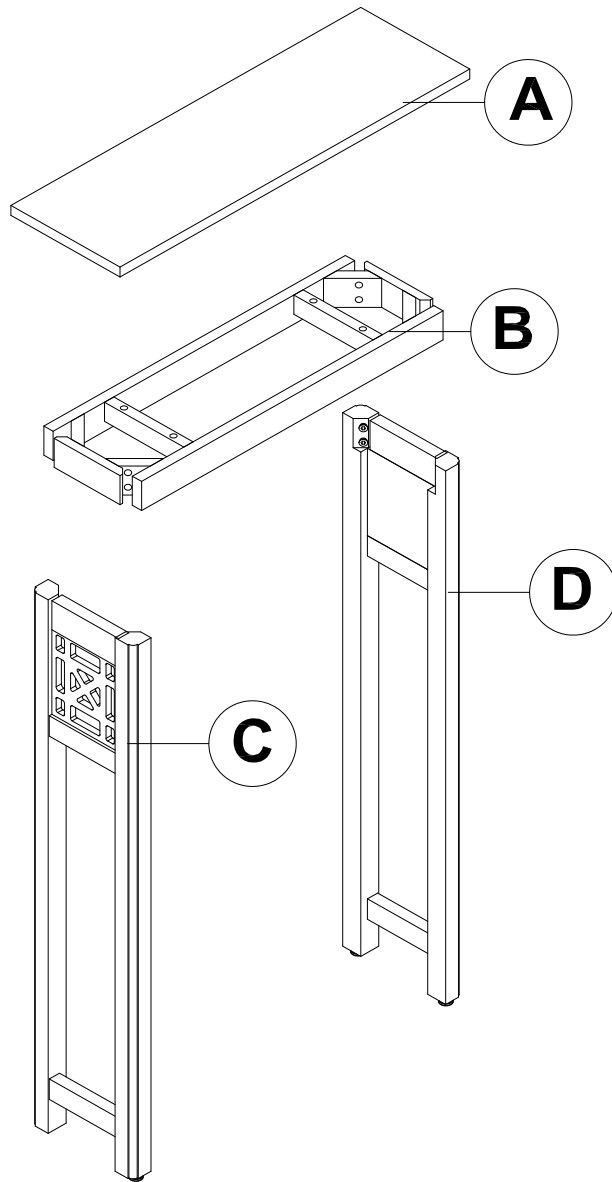
REPLACEMENT PARTS

Please do not contact the company purchased from as we can help you faster.

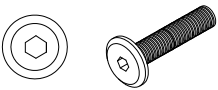
Order replacement parts and hardware at "boltonfurniture.com"

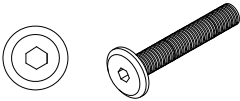
 <p>. Use of power tool to assemble this product will invalidate any claim and damage this product making it unsafe!!! . Please assemble on a clean soft surface to avoid damage.</p>	 <p>+</p>  <p>50 minutes</p>	<p><u>Tool Included</u></p>  <p>(Not included)</p> 
--	---	--

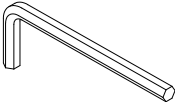
Part List- Over Toilet Shelf

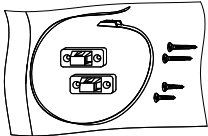


Identifying the hardware-Identify the hardware using the illustrations below.

E  **04**
M6X45mm

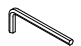
F  **08**
M6X60mm

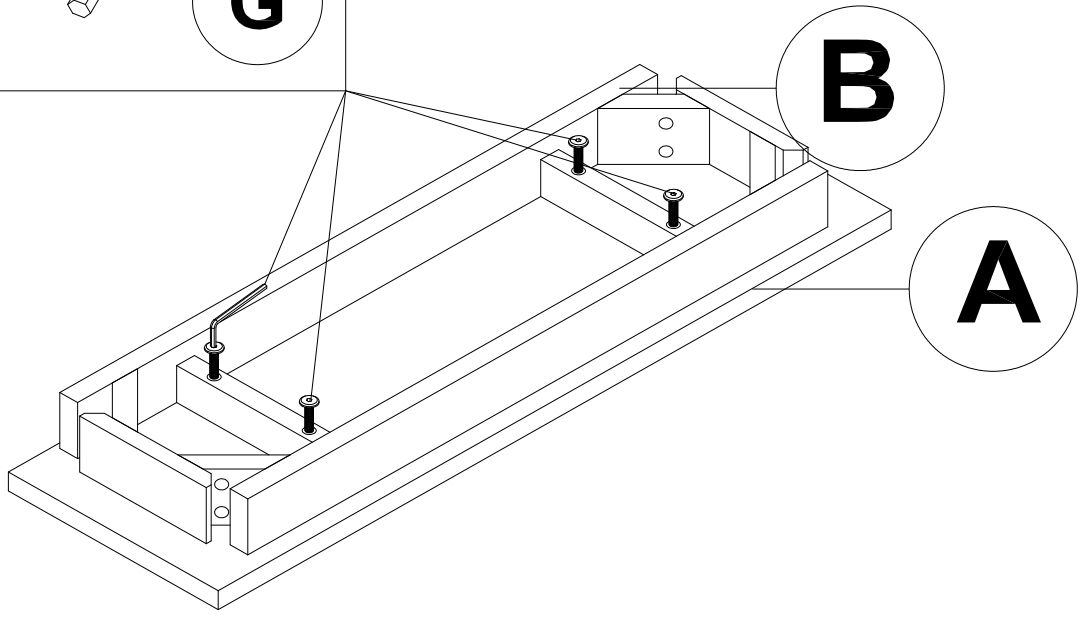
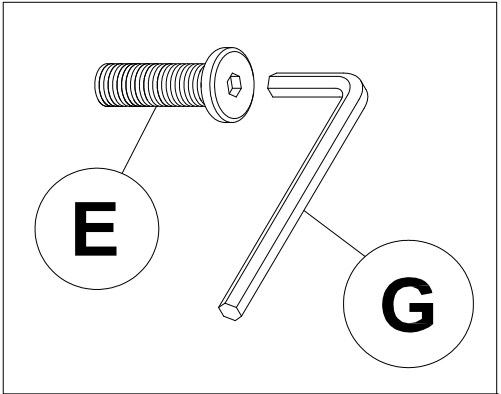
G  **01**

H  **01**
Anti-Tip Bag

Step 1

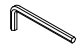
E  04
M6X45mm

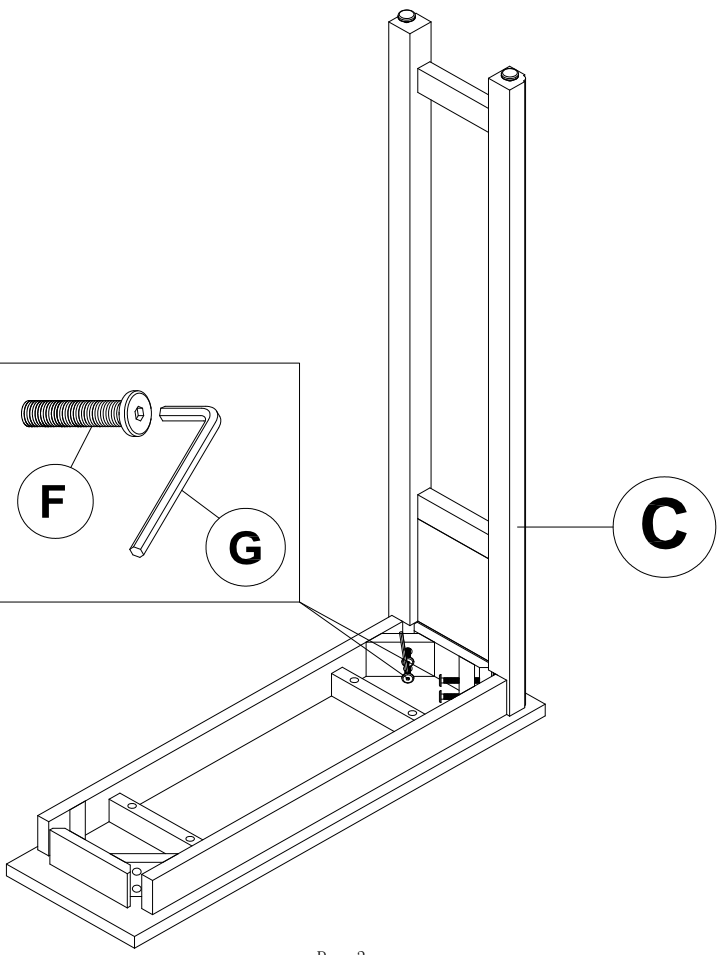
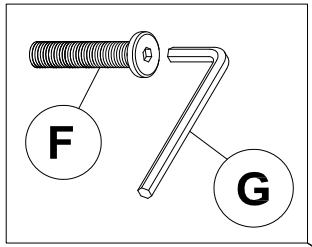
G  01



Step 2

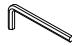
F  04
M6X60mm

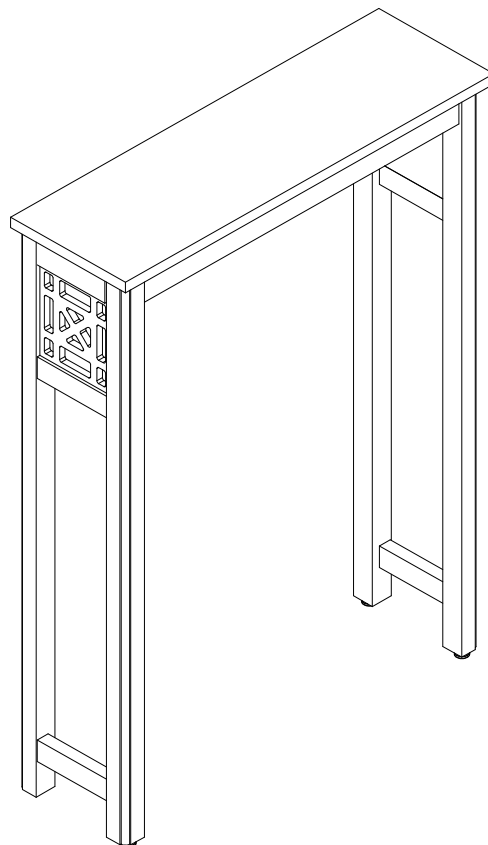
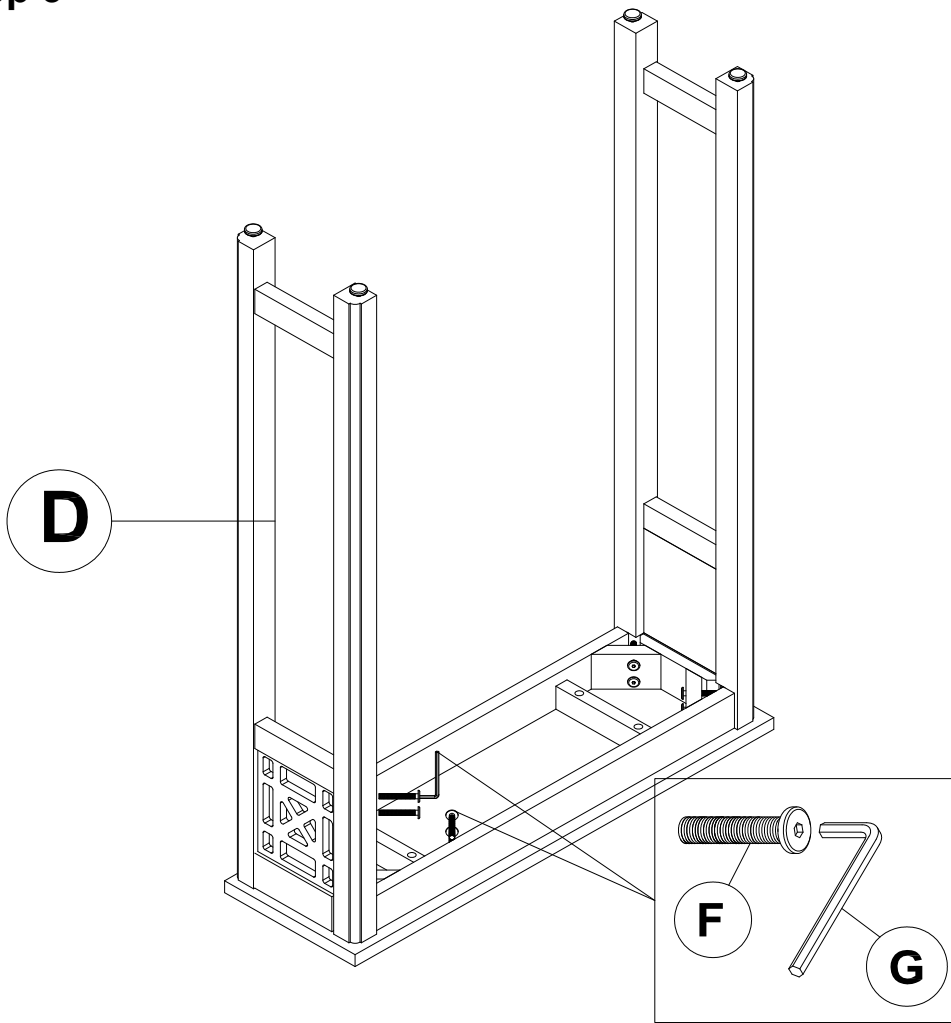
G  01




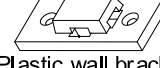


Step 3

F  **04**
M6X60mm

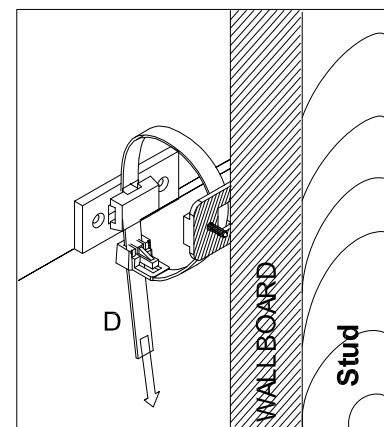
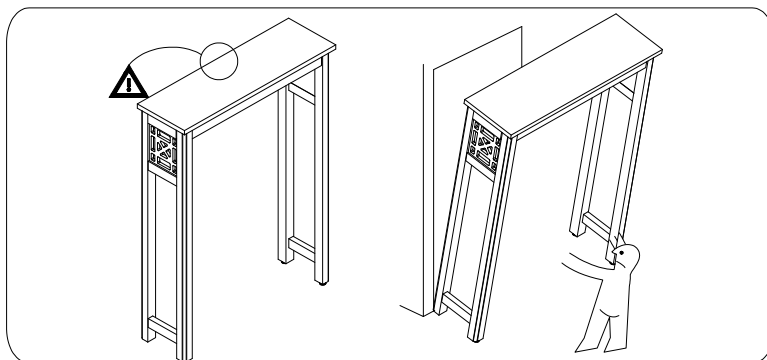
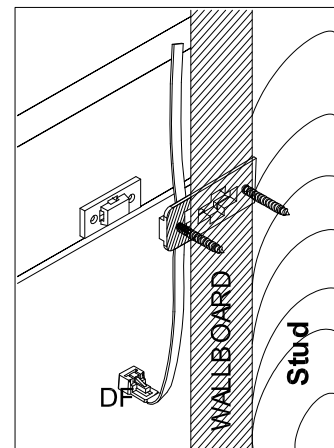
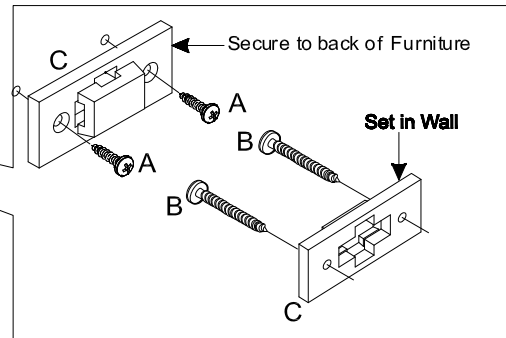
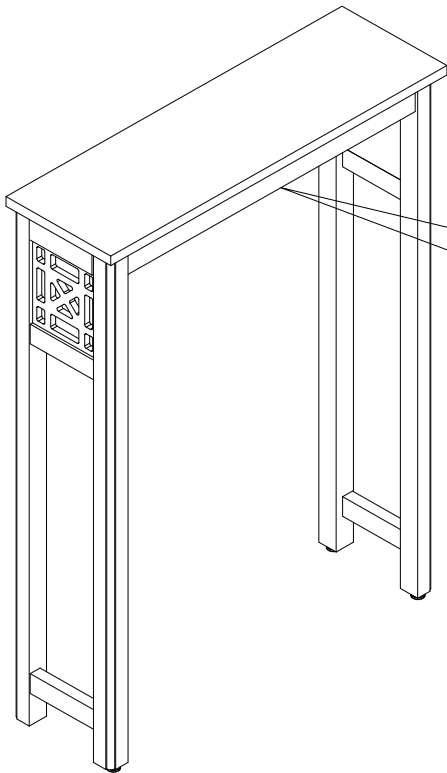
G  **01**



"H" Anti-Tip Bag

A	 4x14 Screw	02	C	 Plastic wall bracket	02
B	 4x35 Screw	02	D	 Nylon strap 140mm	01

Secure to Stud Behind Wallboard



Secure to Stud behind Wallboard!