


TOV




Follow us!

Show your new purchase some love by tagging it on our Instagram!

 @tovfurniture

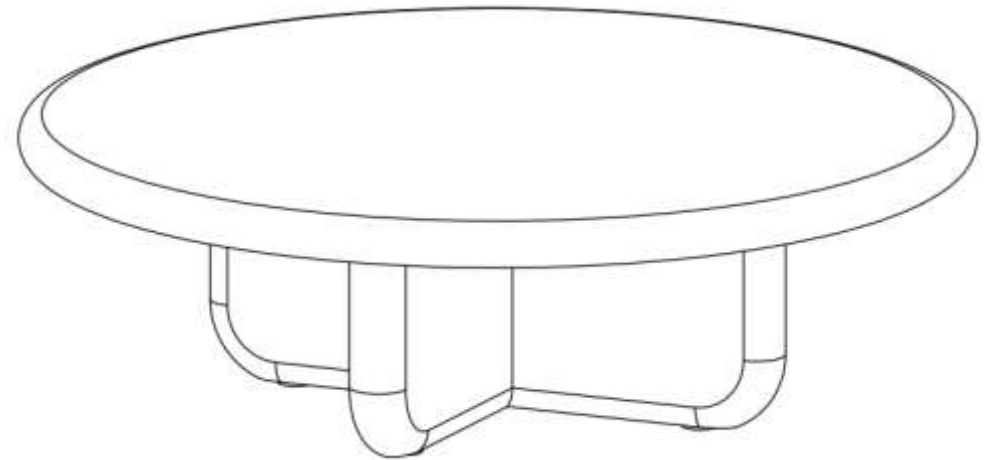
 516-888-3355

 hello@tovfurniture.com

 www.tovfurniture.com

If the future is female—your furniture should be, too. No mahogany in sight. Sexy settees shaped like lips. Price points for any budget. At TOV, we do things differently.

TOV

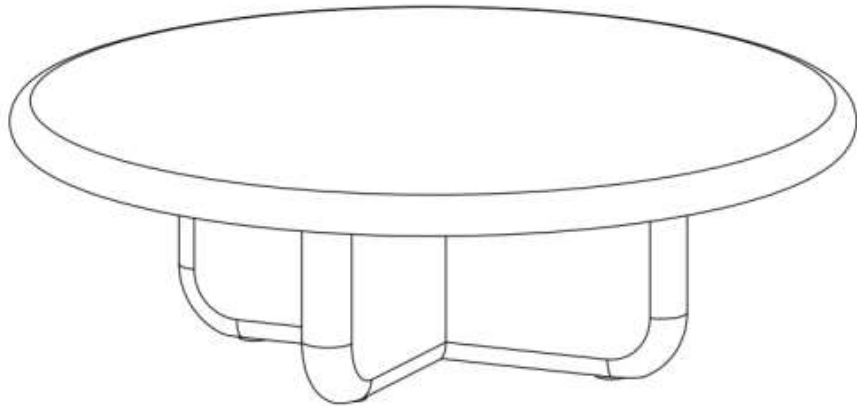


JUJU MARBLE 32" SHORT COFFEE TABLE

DON'T BE BORING.

Step 4

A. Complete!




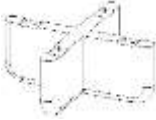




Stuck?

Contact our team @ 516-888-3355

Scan for product care!



Hardware and Components

-  (A) Top x 1pcs
-  (B) Base x 1pcs
-  (C) Bolt M8*20 x 16pcs
-  (D) Washer $\varnothing 22*2$ x 8pcs
-  (E) Allen Key x 1pcs
-  (F) Brackets x 4pcs

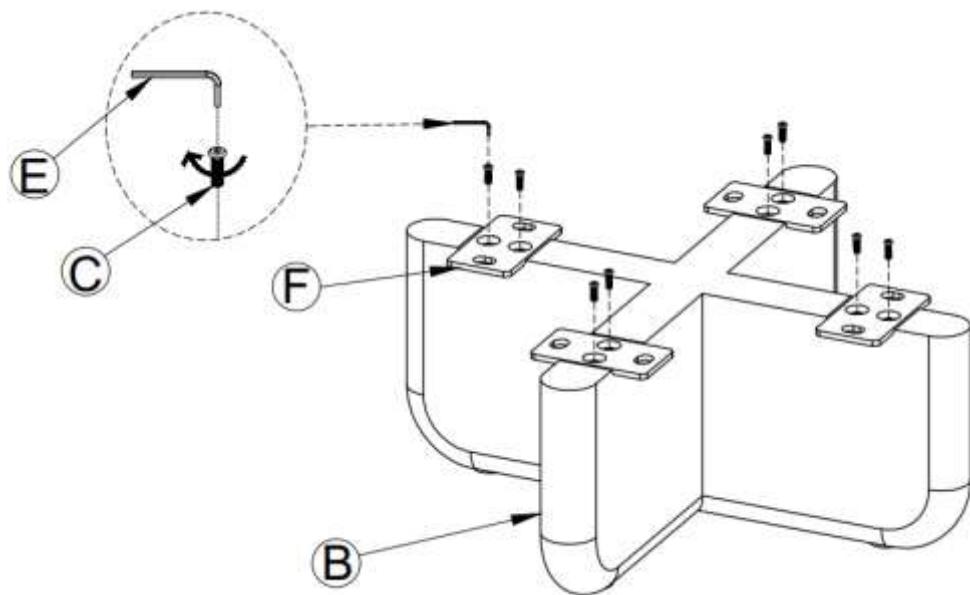
Step 1
Open box of hardware and legs.

This hardware box will be a smaller box inside of the main box. Look for the red streamer.



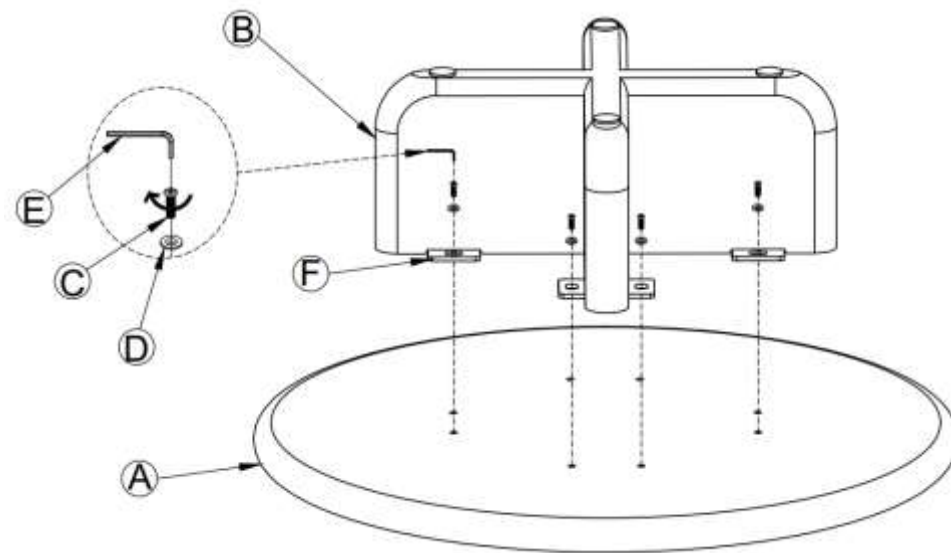
Step 2

- 1) Place table base (B) on the floor.
- 2) Use wrench (E) with hardware (C) to secure the bracket (F) to the table base (B).



Step 3

- 1) Place table Top (A) on the floor facing down.
- 2) Use wrench (E) with hardware (C) and (D) to secure bracket (F) to the table top (A).



Please fasten the screws/bolts at 70%, and fully tighten them after all screw/bolts are fully in place.