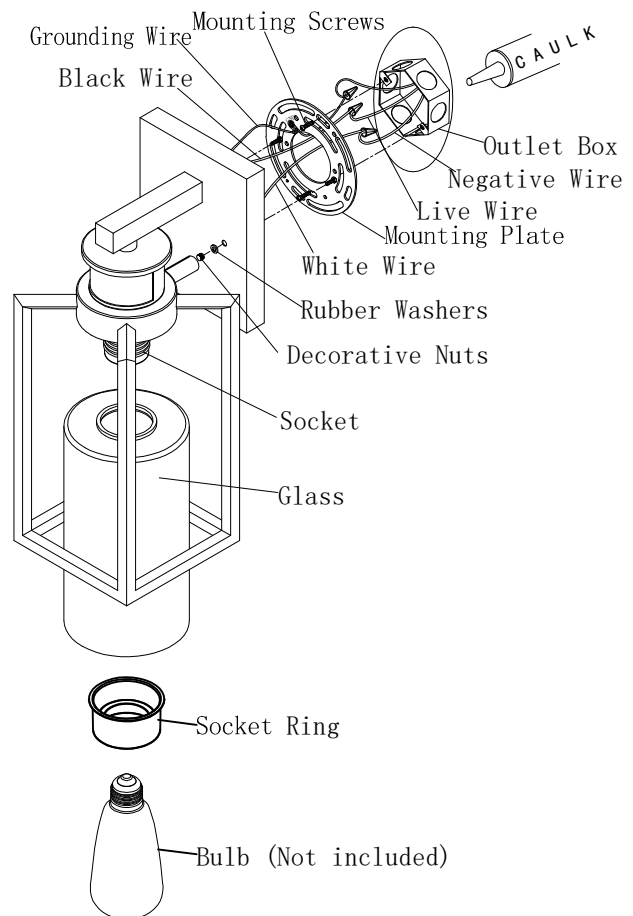


ASSEMBLY AND INSTALLATION INSTRUCTIONS

WARNING: TO AVOID RISK OF ELECTRICAL SHOCK, BE SURE TO SHUT OFF POWER WHILE INSTALLING OR SERVICING THIS FIXTURE

NOTES: 1. Before installing, consult local electrical codes for wiring and grounding requirements.
2. READ AND SAVE THESE INSTRUCTIONS.

To work properly, you should install this fixture NOT confront any jets of air conditions or strong airflow

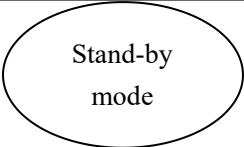

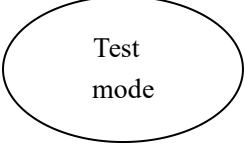

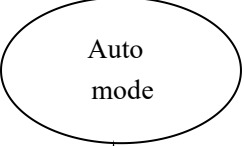

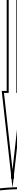
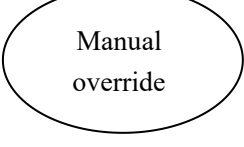


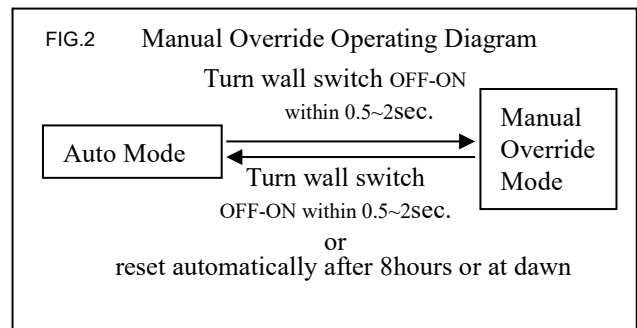
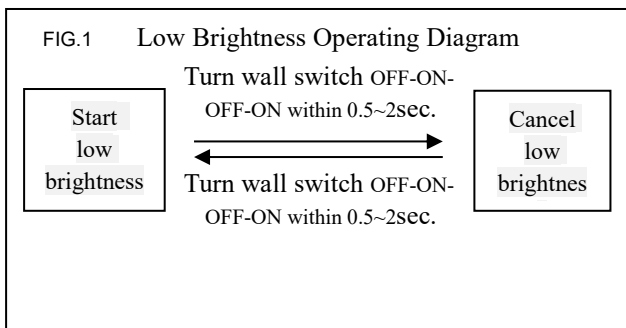
1. Attach the mounting plate to the outlet box by using two mounting screws.
2. Pull out the wires and grounding wire from the outlet box. Make wire connections using the wire nuts, as follow:
 - Connect the hot wire(usually black insulation)from the fixture to the black wire from the power source.
 - Connect the neutral wire(usually white insulation)from the fixture to the white wire from the power source.
 - Attach the fixture grounding wire(usually green insulation or bare wire)to the mounting strap with the green grounding screw.Then connect it to the house grounding wire with the wire nut.Carefully put the wires back into the outlet box.
3. Attach the back plate to the mounting plate by inserting the screws,then secure it with two nuts.
4. Align the Glass onto socket, and secure it with socket ring.
CAUTION: With silicone caulking compound, caulk completely around where the back plate meets with the wall surface to prevent water from seeping into the outlet box.

Turn on the power at fuse or circuit box.

Function and Operation

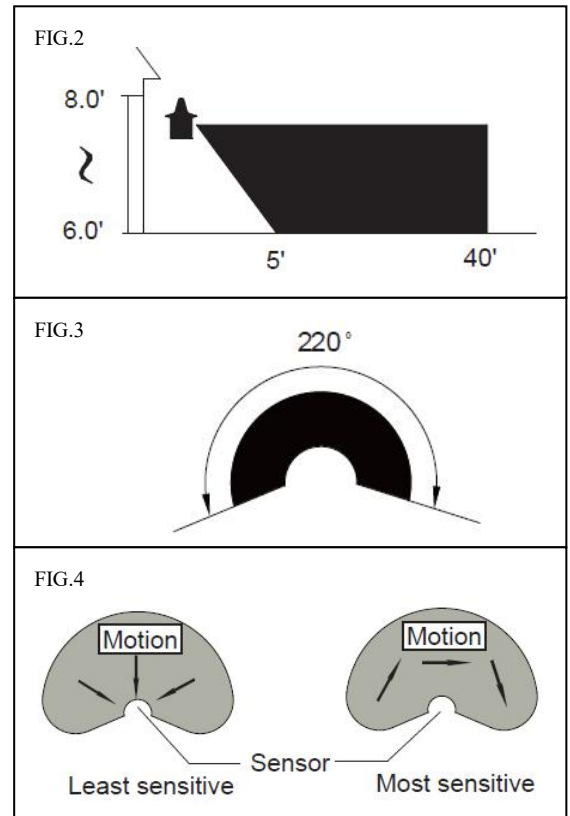
MODES OF OPERATION

Mode	Works at	ON time	Shut off delay time	Explanation
	Day & Night	20 Sec	/	Turn on the power at the main fuse or circuit breaker box, the light will turn on immediately. Wait for about 20 seconds to allow the sensor to warm up, then the light will automatically enter into the TEST mode.
 	Day & Night	As motion existing	5 Sec	The light will turn on at low-level brightness (30% brightness) in test mode. When motion is detected, the light will turn to high-level brightness (100% brightness), and stay on as long as the motion is continuing. The light will revert to low-level brightness about 5 seconds after motion is no longer detected. There is one red LED on motion sensor flashing 3 times when motion is detected. Note: The time of TEST mode is approximately 120 seconds, then light will automatically enter into the AUTO mode.
  	Night only	As motion existing	2 Min.	At dusk, the light will turn on at low-level brightness (30% brightness). When motion is detected, the light will turn to high-level brightness (100% brightness), and stay on as long as the motion is continuing. The light will revert to low-level brightness about 120 seconds after motion is no longer detected. There is one red LED on motion sensor flashing 3 times when motion is detected. Until dawn, the lights will turn off in about 120 seconds after the motion is no longer detected. Note: If you don't want low brightness, turn off and turn on the wall switch twice within 2 seconds when the fixture is running. If you want to restart the low brightness, operate the wall switch again in the same method. (See FIG.1)
 	Night only	Manual override operate	8Hrs or Turn off at dawn	In "AUTO" mode, to shift to the manual override mode, turn the wall switch "OFF", and turn it "ON" within 2 seconds. The light will turn on and stay on for approximately 8 hours, or until the Dusk-to-Dawn sensor detects light in the morning. Once the Dusk-to-Dawn sensor detects light for more than 60 seconds, the manual override mode will automatically go back to the AUTO mode. (See FIG.2) Note: 1. To make sure the above functions operate properly, always keep the wall switch in the "ON" position (including the daytime). 2. Turn the wall switch "OFF", wait over 10 seconds and then switch it "ON" again, the light will revert to warm-up period again.



NOTE:

1. The sensitivity of the motion sensor will increase as the environmental temperature gets cooler. For best performance, gently clean the lens with a soft cloth every 1 or 2 months to assure maximum sensitivity.
2. For best performance, install fixture at least 6 feet above the ground. At such a height, the lantern will provide a detection distance of up to 40 feet at 77 degrees Fahrenheit.(See Fig.2)
3. The sensor detects across a detection range of 220 degrees.(See Fig.3)
4. The sensor will be more sensitive to motion across its detection path than motion directly towards it. (See Fig.4)
5. To reduce possible nuisances, do not mount the fixture near a heat source like an air conditioner, vent or furnace exhaust, or in a direction facing any reflecting object or other light source.



Troubleshooting

SYMPTOM	Possible Cause	Solution
The light doesn't work in Test Mode	Wall switch or circuit breaker is off The wiring is mistake	Turn on a switch or circuit breaker. Check wire connections.
In Auto mode, the lighting fixture does not turn on when there is motion	Wall switch or circuit breaker is off	Turn on a switch or circuit breaker.
	Light bulb may be dead.	Test the light bulb in a known working light fixture
	Light bulb is loose.	Tighten the light bulb in the socket.
	Incorrect or loose wire connections.	Check wire connections.
	Too much sunlight is shining into the Dusk-to-Dawn sensor in the early evening.	Relocate fixture away from a western facing wall.
In Auto mode, the lighting fixture stays on at 100% brightness continuously.	Too much light is shining onto the Dusk-to-Dawn sensor due to another light source, such as a street lamp or other light fixture.	Eliminate or turn off other light source, block other light source from shining onto Dusk-to-Dawn sensor, or relocate fixture.
	False triggering caused by a heat source, such as a heater or dryer vent, or air conditioning vent ,or heated swimming pool.	Eliminate heat source or relocate fixture
The lighting fixture comes on at 100% brightness for no apparent reason	also triggering caused by a heat source, such as a heater or dryer vent,or air conditioning vent ,or heated swimming pool.	Eliminate heat source or relocate fixture
The lighting fixture comes on during the daytime or too early in the evening	The fixture may be installed in a shaded area, such as under a porch or eave, preventing daylight from shining onto the photocell sensor.	Relocate the fixture
The LED bulb or fluorescent bulb flickers when the lighting fixture is dimmed down to the stand-by dimming level .	Non-dimmable LED bulb or fluorescent bulb is used on the lighting fixture.	Replace dimmable LED bulb or fluorescent bulb, or incandescent bulb
In Manual override, the light stays on after dawn	the ambient light level is too low	Relocate the fixture