














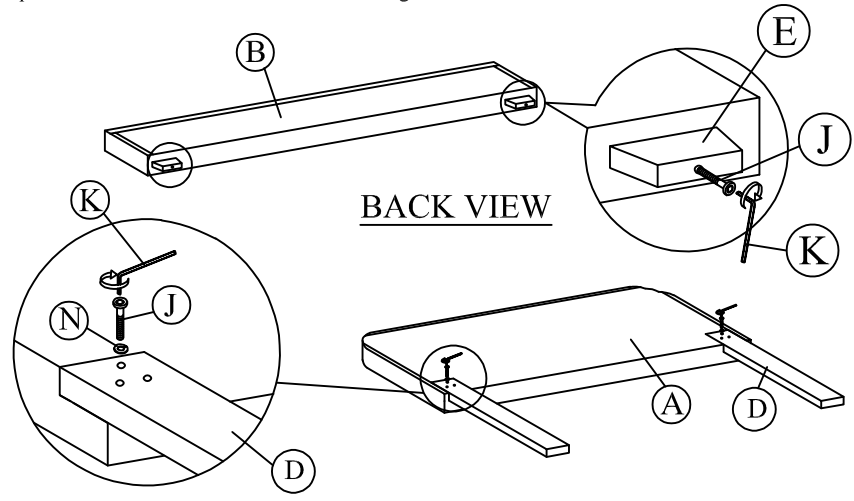


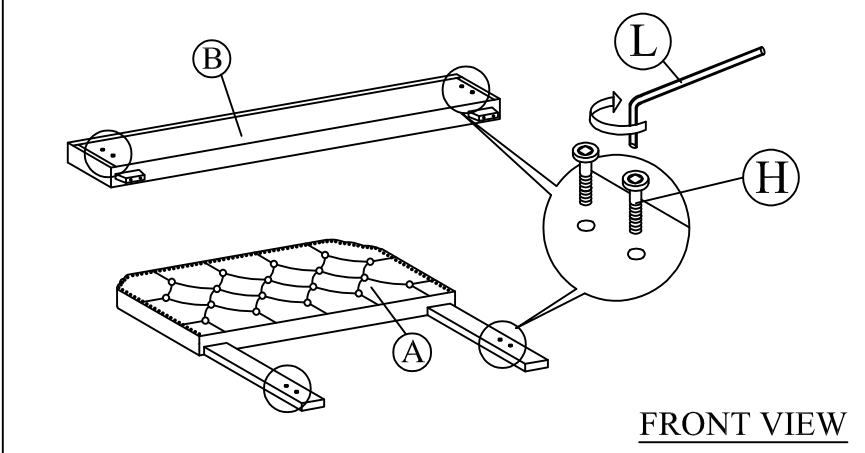
Assembly Instruction

| | | | |
|---|---|------------------------------------|-------|
| A |  | Headboard | 1pc |
| B |  | Footboard | 1pc |
| C |  | Side Rail | 4pcs |
| D |  | Headboard Legs 500 x 80 x 20mm | 2pcs |
| E |  | Footboard Legs 100 x 32 x 90(H) | 2pcs |
| F |  | Side Rail Legs 180 x 80 x 35mm | 2pcs |
| G |  | 12 pcs slat 997mm | 2pcs |
| H |  | JCBB M8 x 20 | 8pcs |
| I |  | JCBC M6 x 30 | 8pcs |
| J |  | JCBC M6 x 50 | 8pcs |
| K |  | Allen Key 100mm | 1pc |
| L |  | Allen Key 70mm | 1pc |
| M |  | CSK Screw 32mm | 24pcs |
| N |  | Spring Washers | 6pcs |
| O |  | Flat Washers | 8pcs |

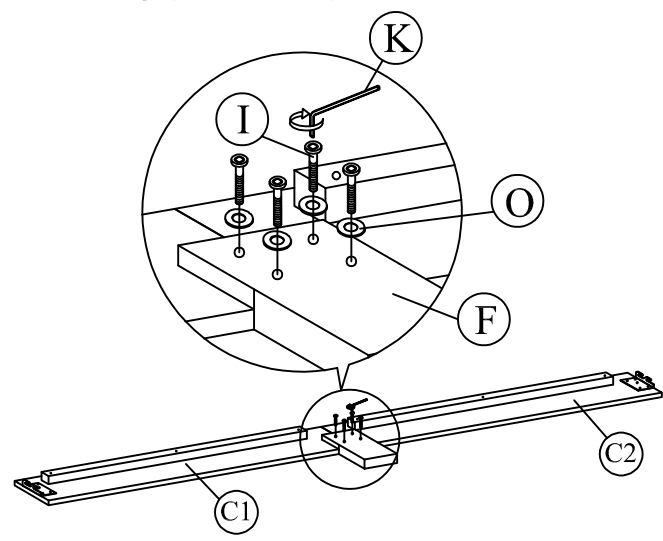
Step 1 : Fix the headboard and footboard with legs as shown.



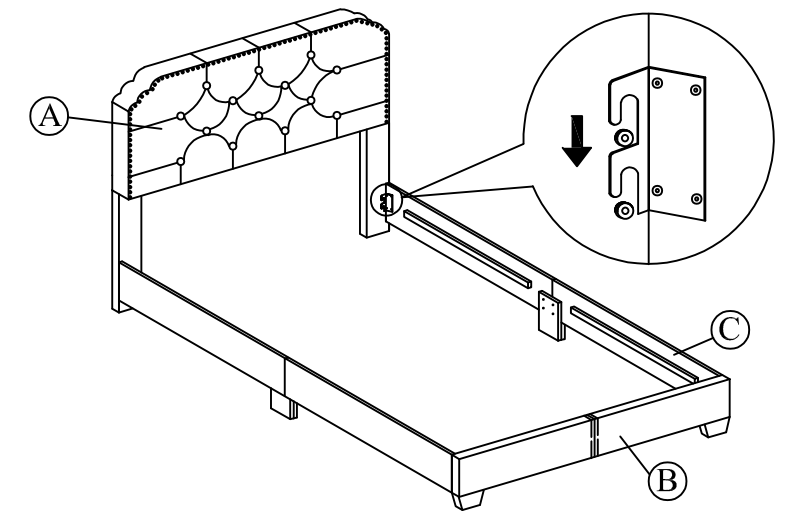
Step 2 : Attach the JCBB Bolt (H) to the headboard and footboard.



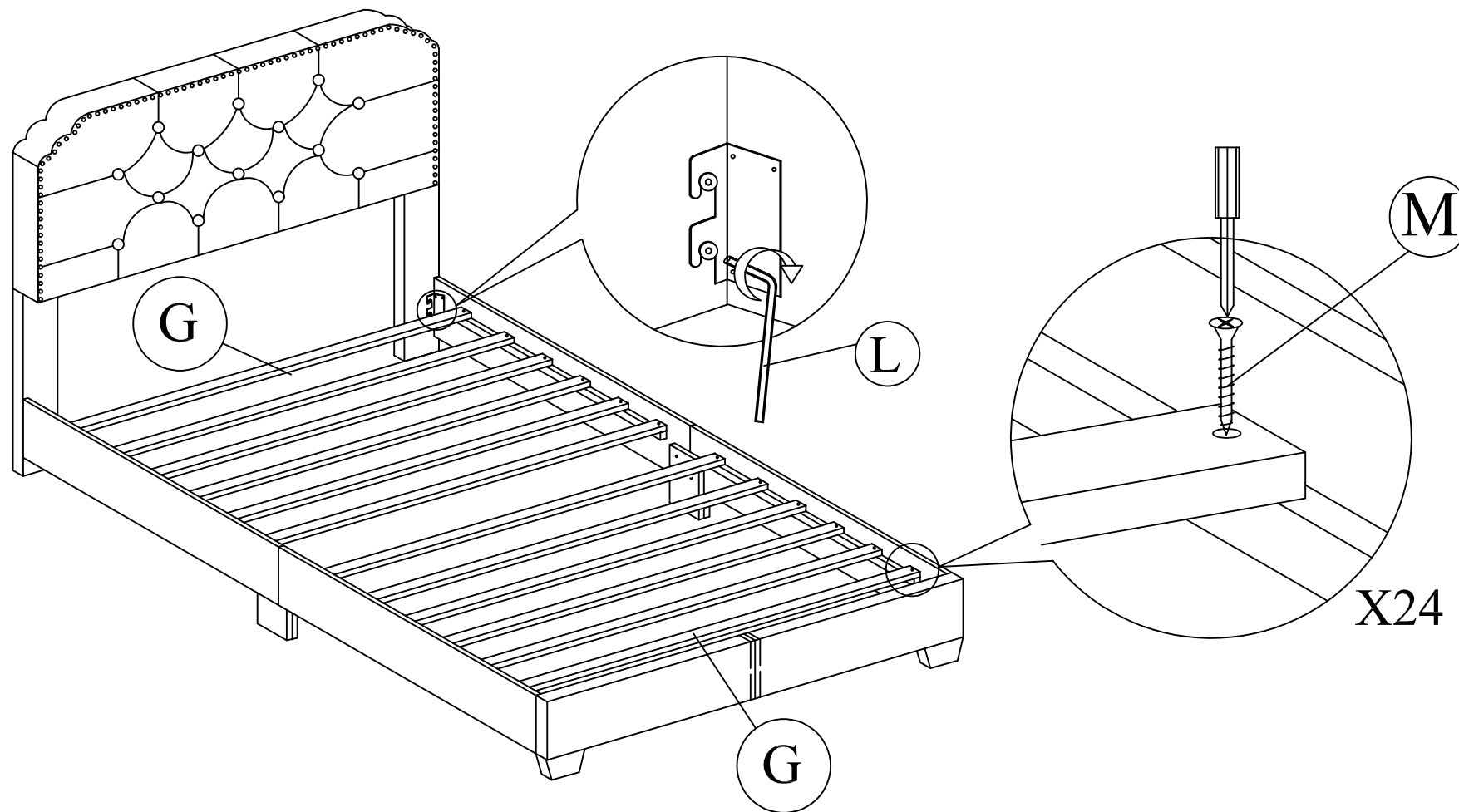
Step 3 : Attach the side rail leg (F) to the side rail (C).



Step 4 : Attach side rail (C) to headboard (A) and footboard (B) by pushing the bracket down to fit it.



Step 5 : Tighten the 4 Corner with Allen Key (L). Install the bed slats to side rail. Tighten the slats with CSK screw. The distance of the slats should be sufficient to obtain desirable bed stability.

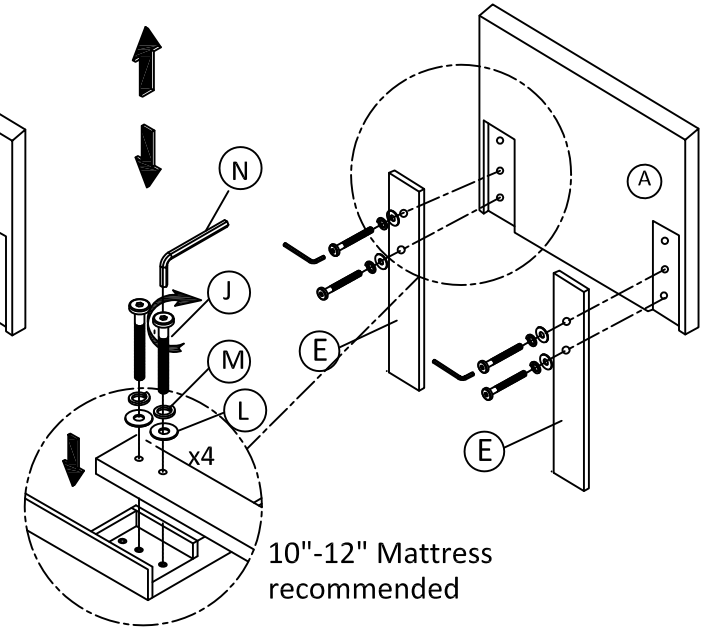
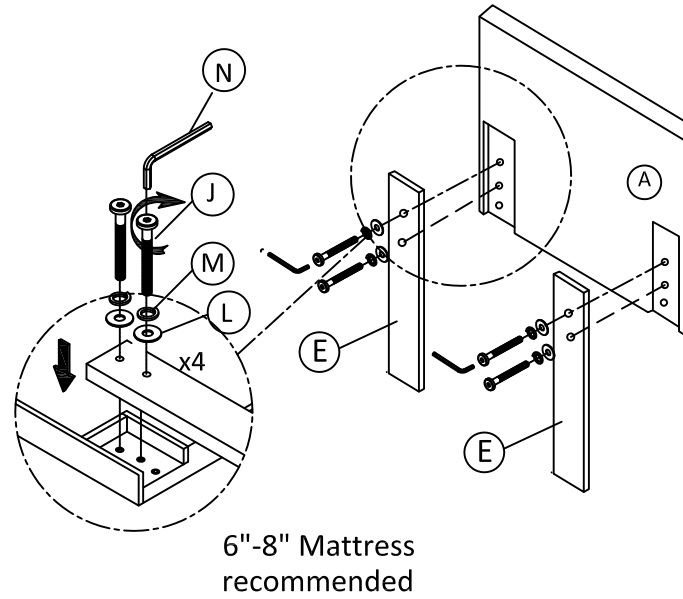
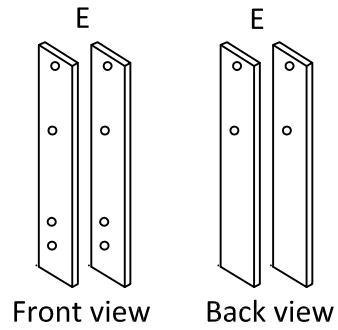


ASSEMBLY INSTRUCTION

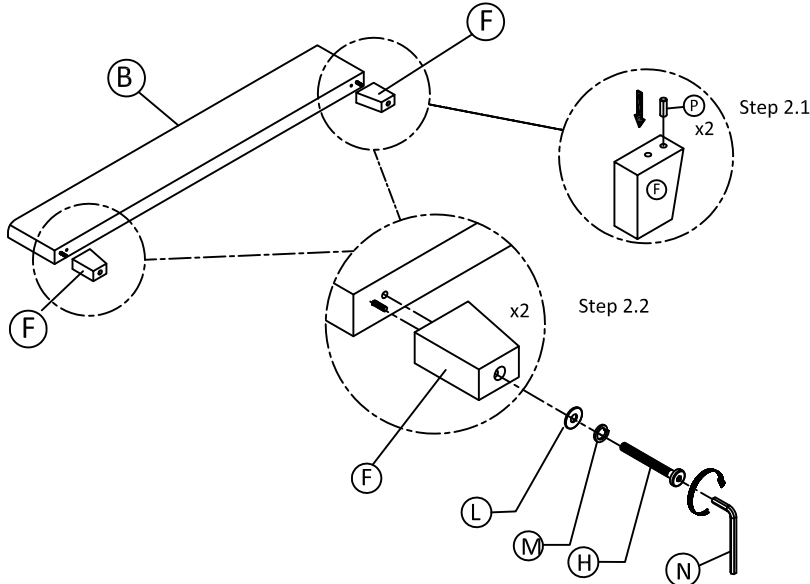
| NO | ITEM | QTY |
|----|-------------------------------------|-------|
| A | HEADBOARD | 1 PC |
| B | FOOTBOARD | 1 PC |
| C | SIDE RAILS (C1, C2) | 4 PCS |
| D | SLAT (997 mm) | 2 PCS |
| E | LEG (700*70*25mm) | 2 PCS |
| F | LEG (110x80x35mm) | 2 PCS |
| G | SIDE RAIL LEG (20*65*230mm) | 2 PCS |
| H | Bolt 1/4" x3-1/2" | 2PCS |
| I | JCBB 1/4" x 1" | 8PCS |
| J | JCBB 1/4" x 2-1/4" | 4PCS |
| K | JCBB 1/4" x 1-1/2" | 8PCS |
| L | M6 FLAT WASHER | 22PCS |
| M | M6 SPRING WASHER | 22PCS |
| N | 1/4"x70x70mm | 1PC |
| O | FLAT HEAD CHIPBOARD SCREW M4 x 25mm | 24PCS |
| P | WOODEN DOWEL (ø10*35mm) | 2PCS |

Step 1: Fix the headboard with legs as shown.

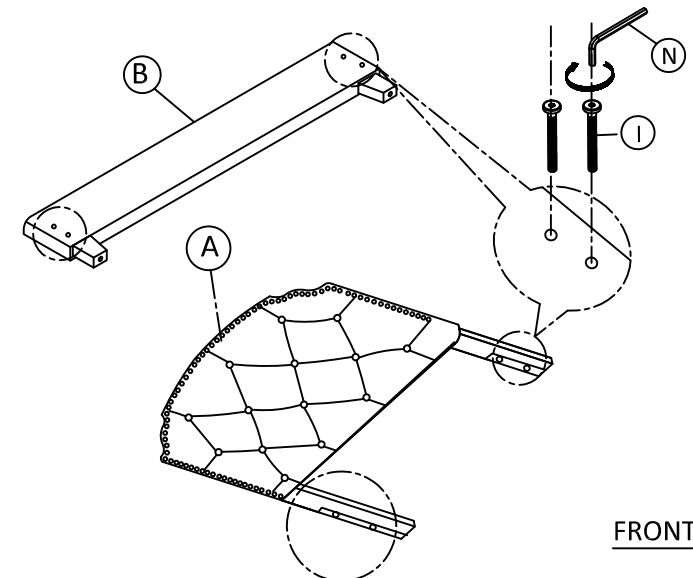
The height of headboard can be adjusted to accommodate different thickness of mattresses.



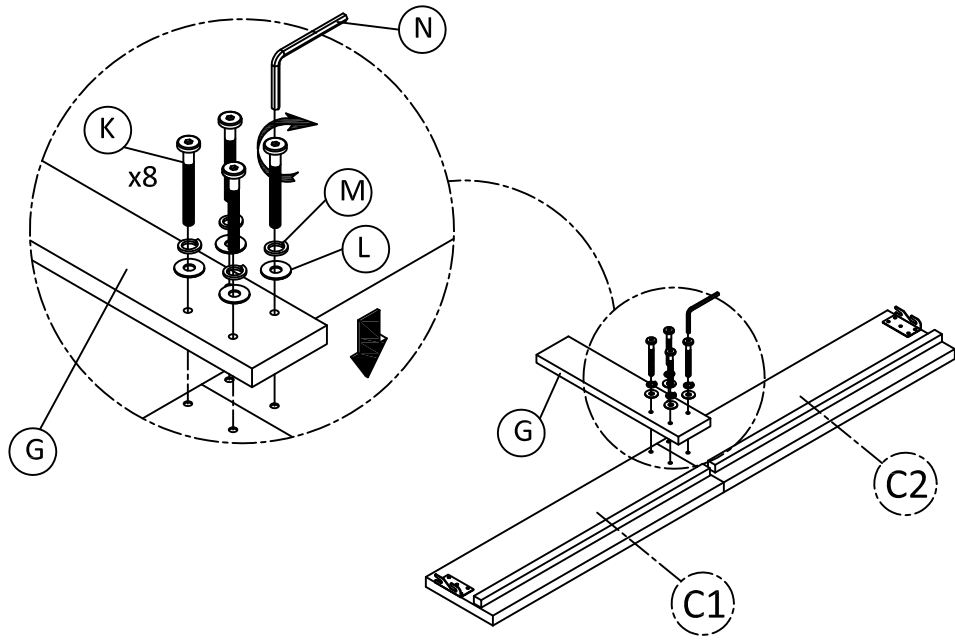
Step 2: Tighten the Legs (F) to the footboard (B) as shown.



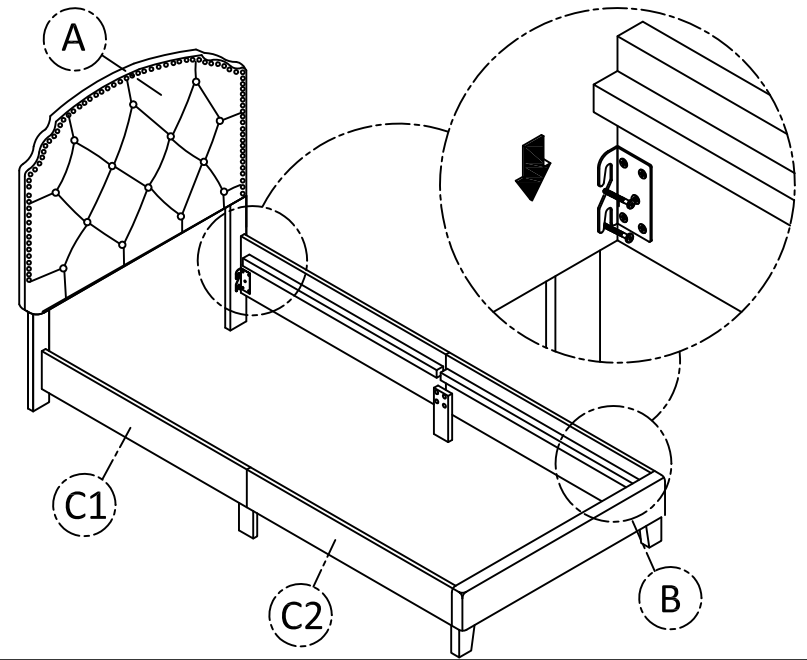
Step 3: Attach the JCBB Bolt(I) to the headboard and footboard.



Step 4: Attach the side rail leg (G) to the side rail (C).



Step 5: Attach side rail (C) to headboard (A) and footboard (B) by pushing the bracket down to fit it.



Step 6: Tighten the 4 Corner with Allen (N). Install the bed slats to side rail. Tighten the slats with CSK screw. The distance of the slats should be sufficient to obtain desirable bed stability.

