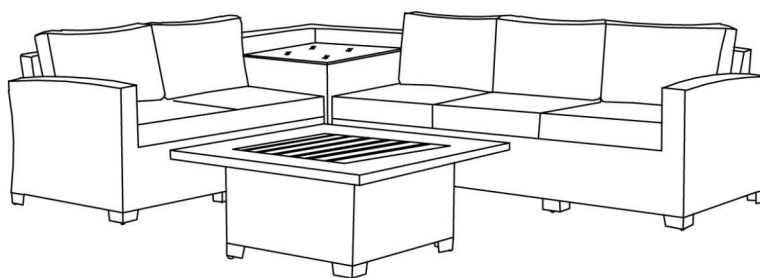
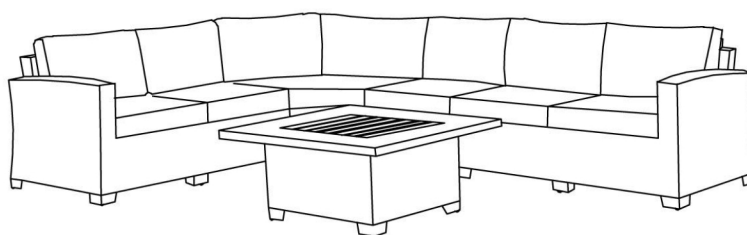


Assembly Instructions



ASSEMBLY RATING

The Assembly Rating is a 5-point system that shows the degree of effort needed in assembling a specific product (with 1 being easy and 5 being difficult). For some products, two persons are recommended.

EASY  DIFFICULT

Tools Required For Assembly:

Allen Wrench



(Included)

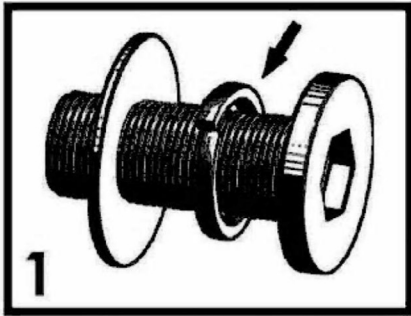


2 PERSONS RECOMMENDED

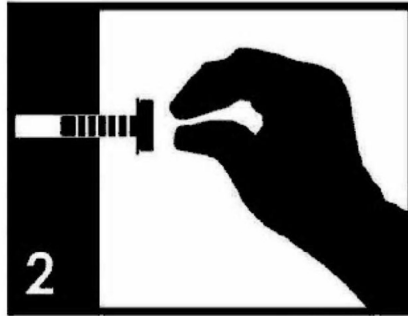
ASSEMBLY & CARE ADVICE

FOR YOUR FURNITURE TO LAST, CORRECT ASSEMBLY AND PROPER MAINTENANCE ARE NECESSARY. PLEASE FOLLOW THE INFORMATION PROVIDED BELOW TO FULLY ENJOY YOUR FURNITURE.

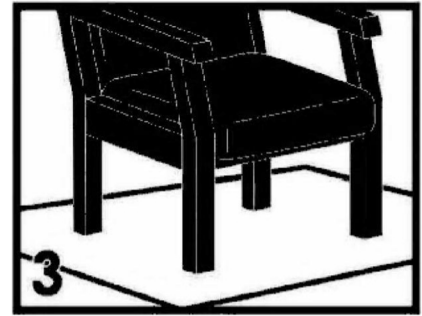
BASIC ASSEMBLY TECHNIQUES



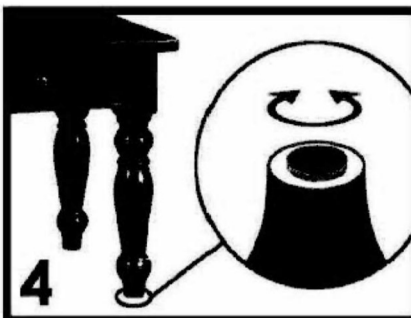
When lock or spring washer is used in an assembly, please make sure the lock or spring washer is placed between the larger flat washer and the head of the screw or bolt.



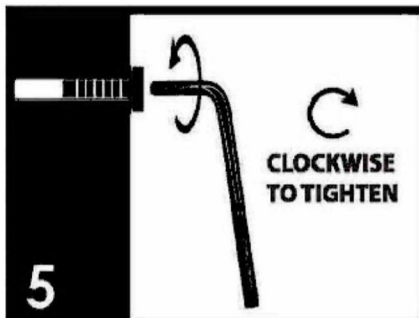
Position each part correctly and insert screws or bolts into their respective holes by hand tighten or using the proper hand tool. Only tighten when step is completed or when instructed to do so.



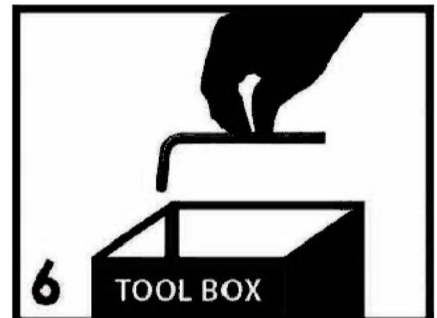
Use cardboard or carpet area when assembling furniture to prevent scratches. Make sure the furniture rests on a flat and level surface with each leg evenly touching the floor.



Some furniture comes with height adjustment knobs underneath each leg. To lower or to raise each leg, you need to turn clockwise or counterclockwise, respectively.



Make sure all parts are properly aligned, then use the appropriate hand tool to completely tighten the bolts or screws. Do not use power tools and do not overtighten.

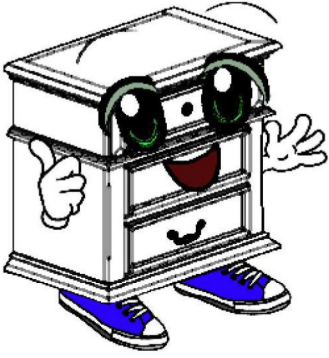


Save the instructions and store the Allen wrench or any supplied tool for later maintenance. After two weeks, check and tighten any loose hardware and repeat again every six months thereafter.

IT IS THE USER'S RESPONSIBILITY TO MAINTAIN THE FURNITURE. THE HARDWARE MAY LOOSEN OVER TIME AND MAY CAUSE THE FURNITURE TO BE WOBBLY AND UNABLE TO SUPPORT ITS INTENDED WEIGHT CAPACITY. THIS MAY LEAD TO COLLAPSE AND MAY CAUSE SERIOUS INJURY.



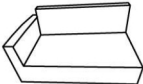
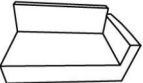
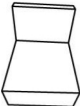

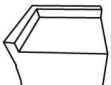



FAILURE TO FOLLOW THE GUIDELINES ABOVE MAY RESULT IN INJURY AND/OR PROPERTY DAMAGE.


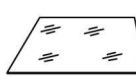
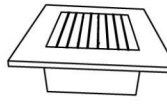
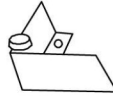
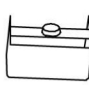


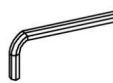


Before you begin, please read Page 2 of "Assembly and Care Advice".

And remember, do not tighten until each step is completed or instructed.

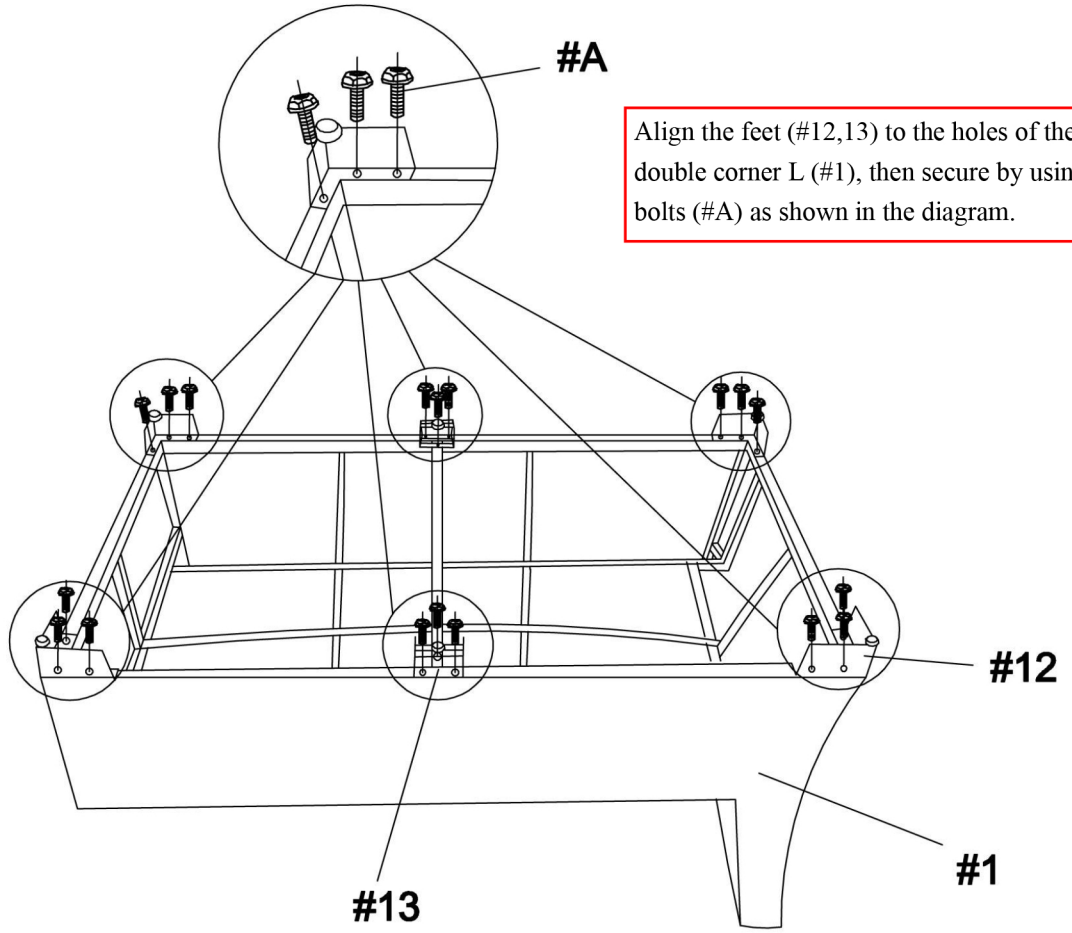
Parts List

	#1 x 1pc Double Corner L
	#2 x 1pc Double Corner R
	#3 x 1pc Armless Sofa
	#4 x 1pc Round Back Sofa
	#5 x 1pc Corner Table
	#6 x 5pcs Sofa Seat Cushion1
	#7 x 5pcs Sofa Back Cushion1
	#8 x 1pc Sofa Seat Cushion2

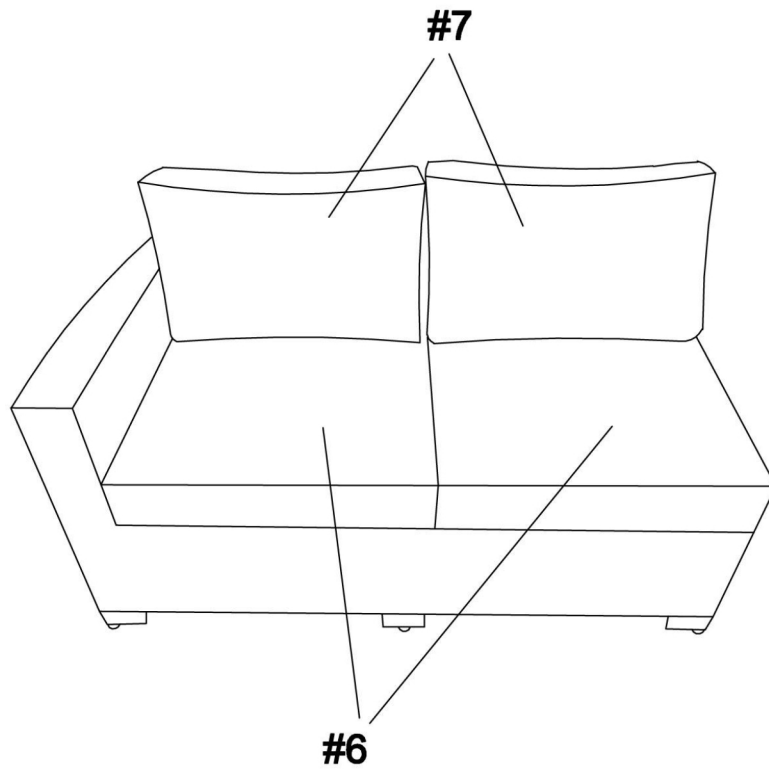
	#9 x 2pcs Sofa Back Cushion2
	#10 x 1pc Top Glass
	#11 x 1pc Table
	#12x 20pcs Foot 1
	#13 x 3pcs Foot 2
	#14 x 6pcs Card Buckle
Hardware List	
	#A x 87pcs Bolt 1/4" X 3/4"
	#B x 2pcs Allen Wrench



#A x 18pcs

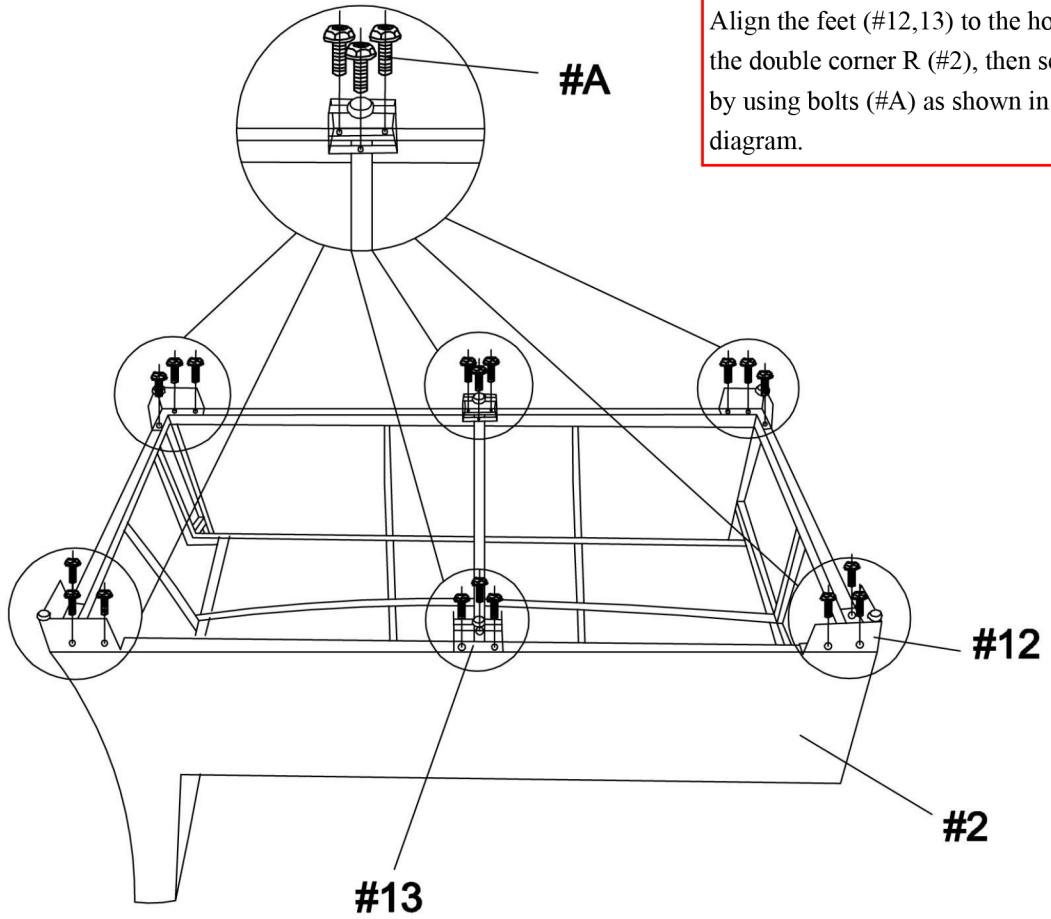


Place cushions (#6,7) onto double corner L (#1).

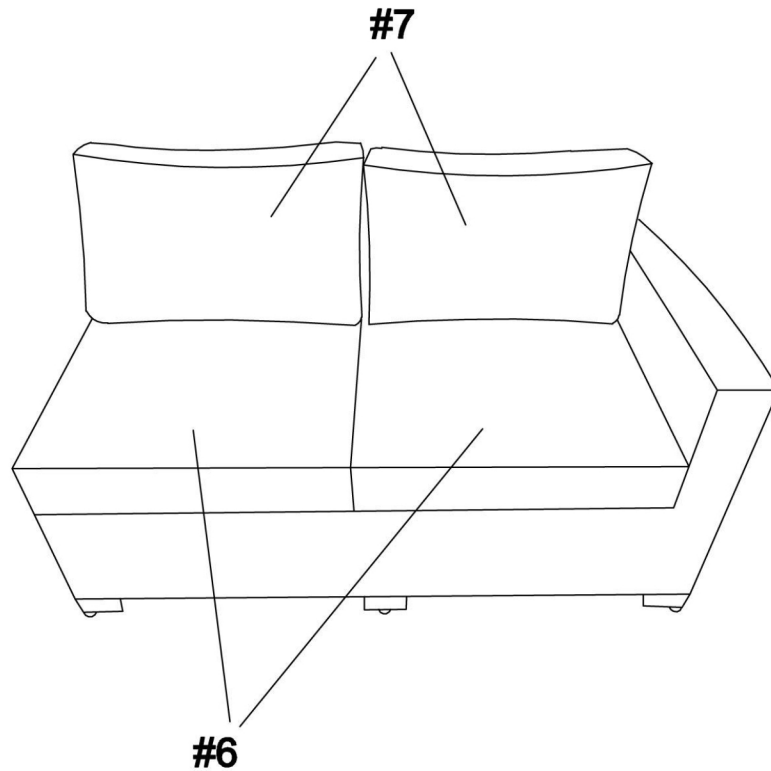




#A x 18pcs



Place cushions (#6,7) to the double corner R (#2).



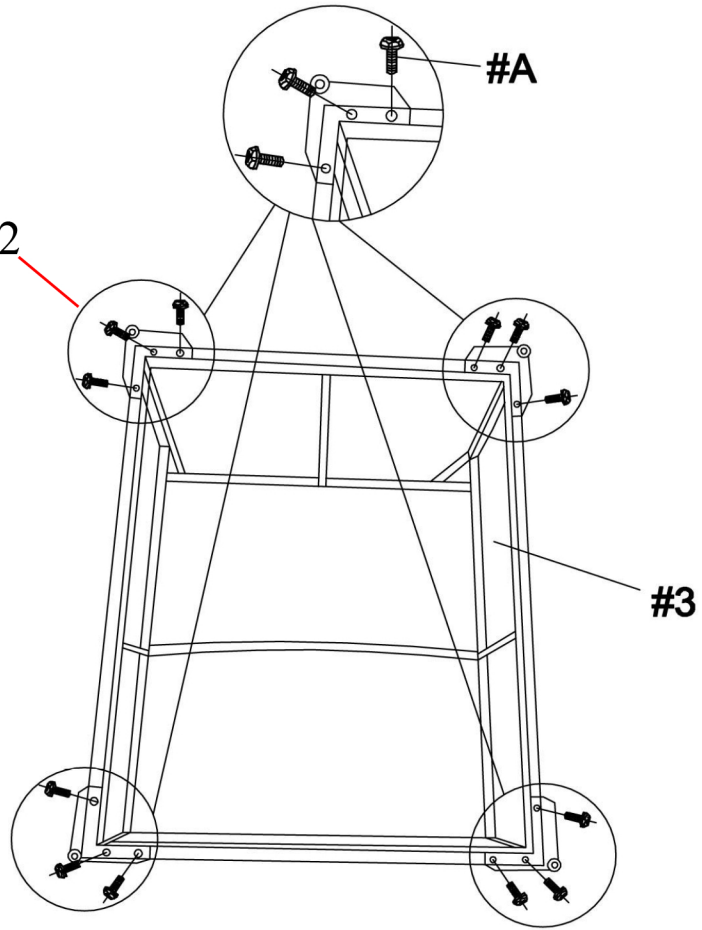


#5

#A x 12pcs

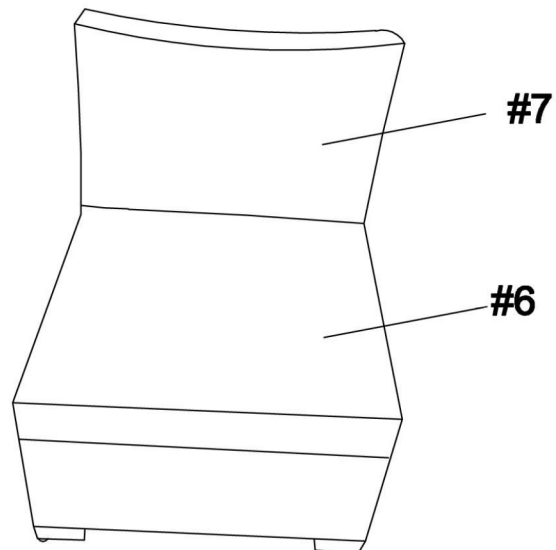
Align feet (#12) to the holes of the armless sofa (#3). Secure by using bolts (#A).

#12



#6

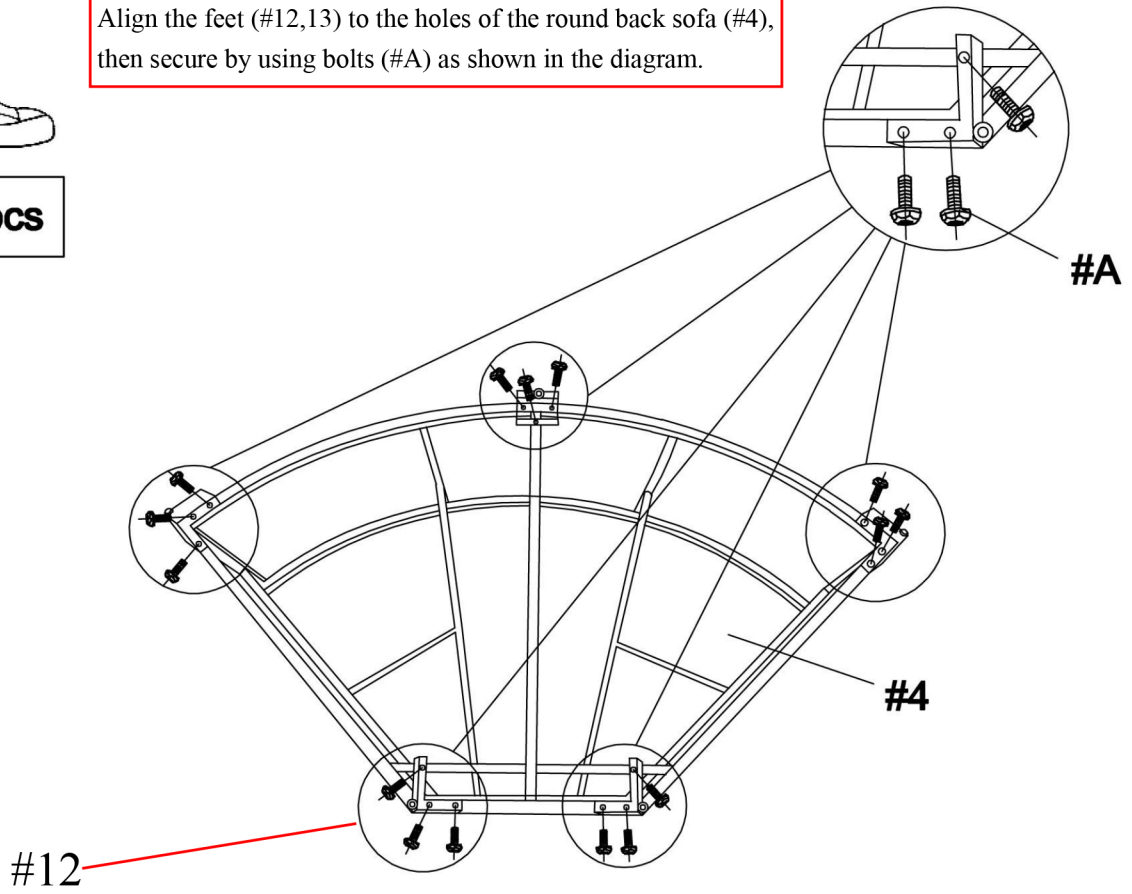
Place cushions (#6,7) onto armless sofa (#3).



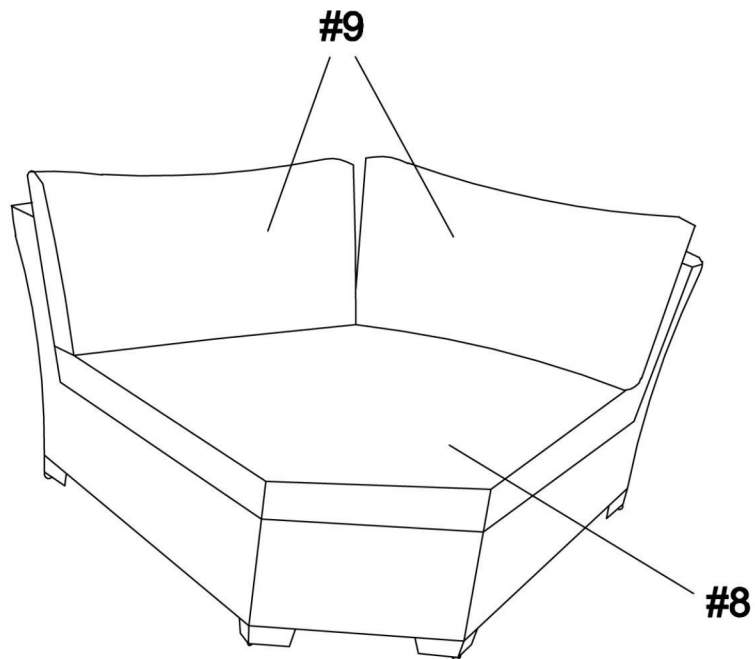


Align the feet (#12,13) to the holes of the round back sofa (#4), then secure by using bolts (#A) as shown in the diagram.

#A x 15pcs



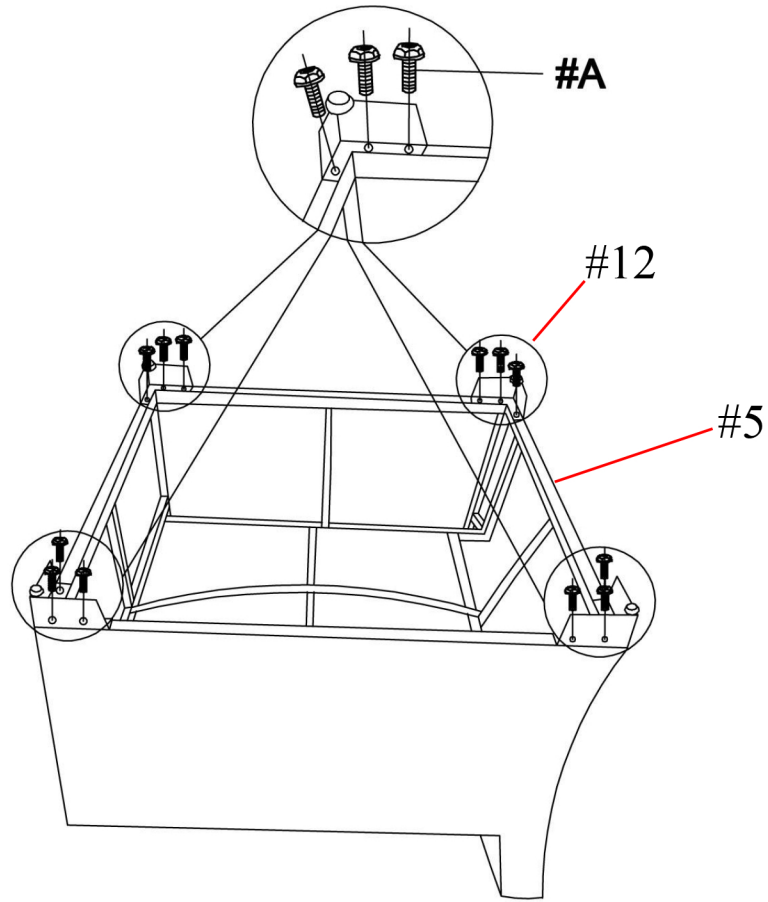
Place cushions (#8,9) onto round back sofa (#4).



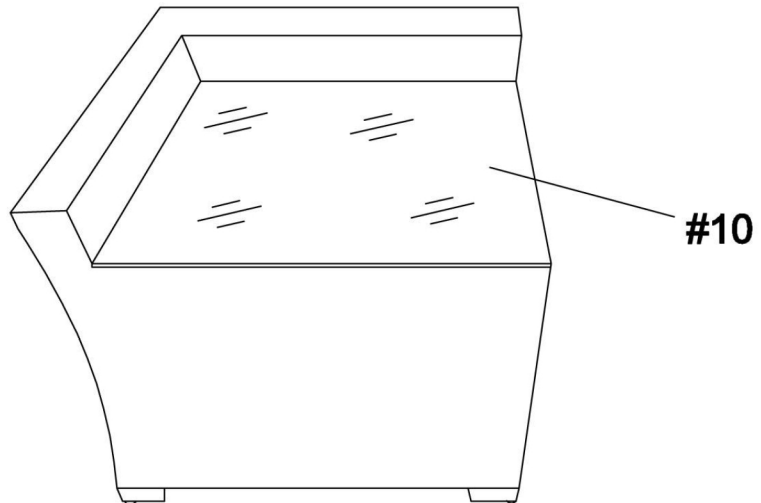


#A x 12pcs

Align feet (#12) to the holes of the corner table (#5), then secure by using bolts (#A).



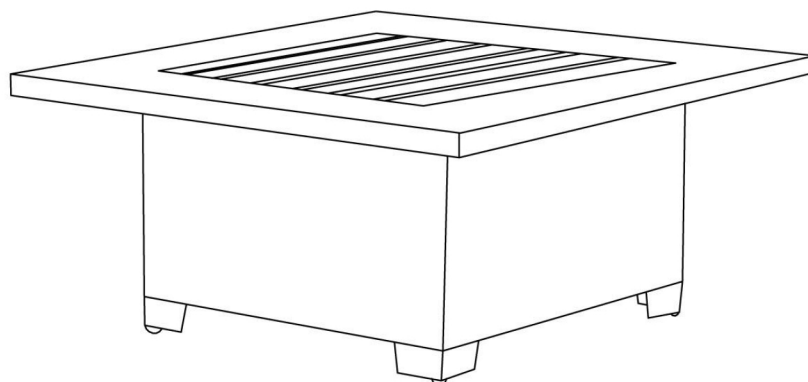
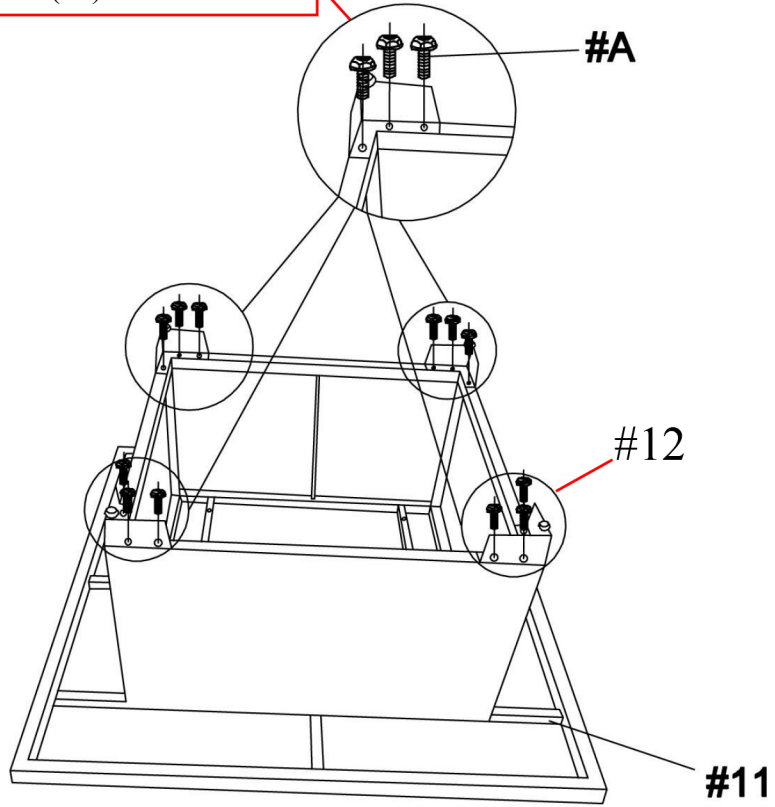
Carefully place top glass (#10) onto corner table (#5).





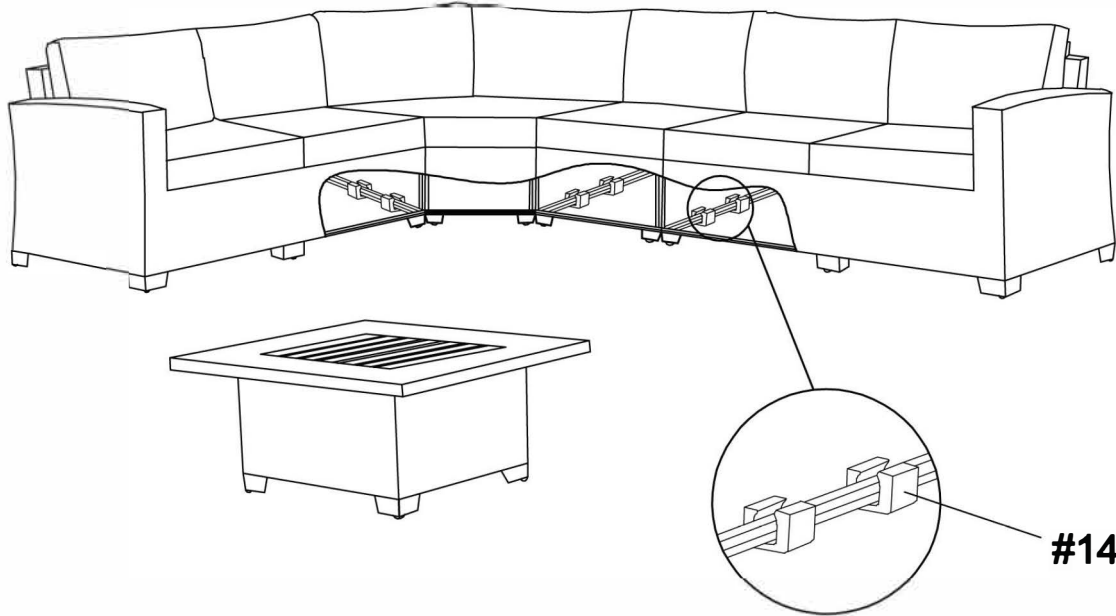
Align feet (#12) to the holes of the table (#11).
Secure by using bolts (#A).

#A x 12pcs





Align the product as shown in the diagram, then attach card buckle (#14) to connect the product together.

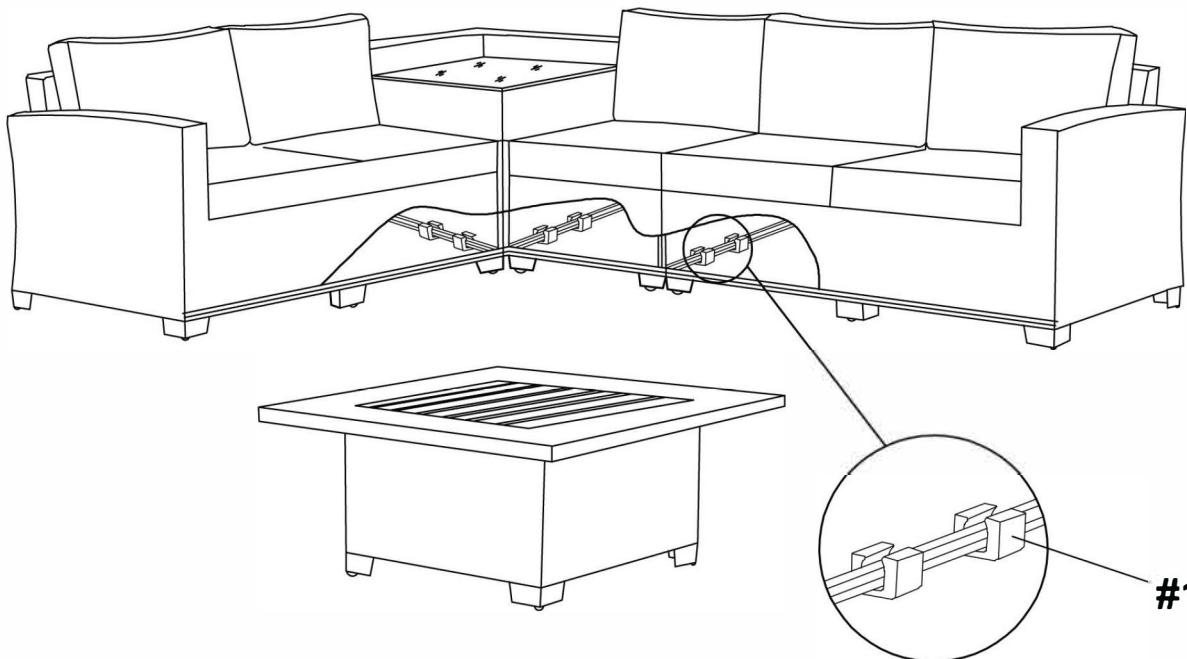


#14



ALTERNATIVE LOOK

Align the product as shown in the diagram, then attach card buckle (#14) to connect the product together.



#14