
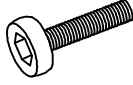
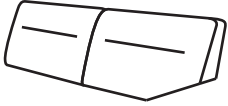
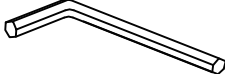



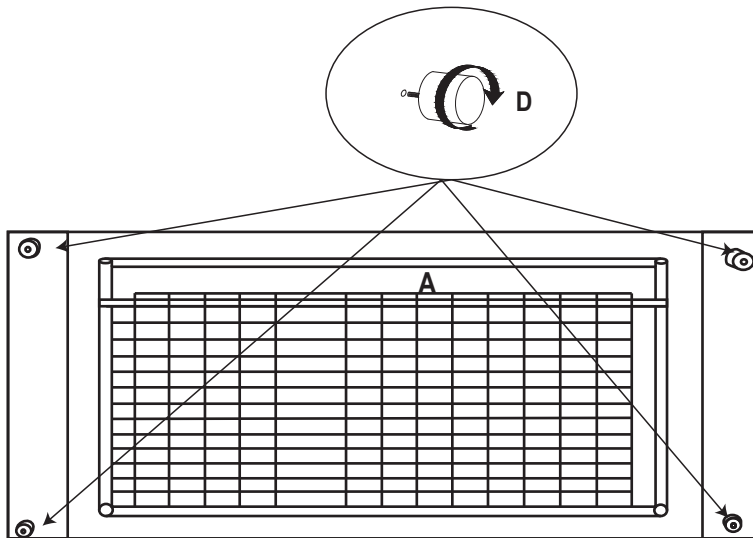


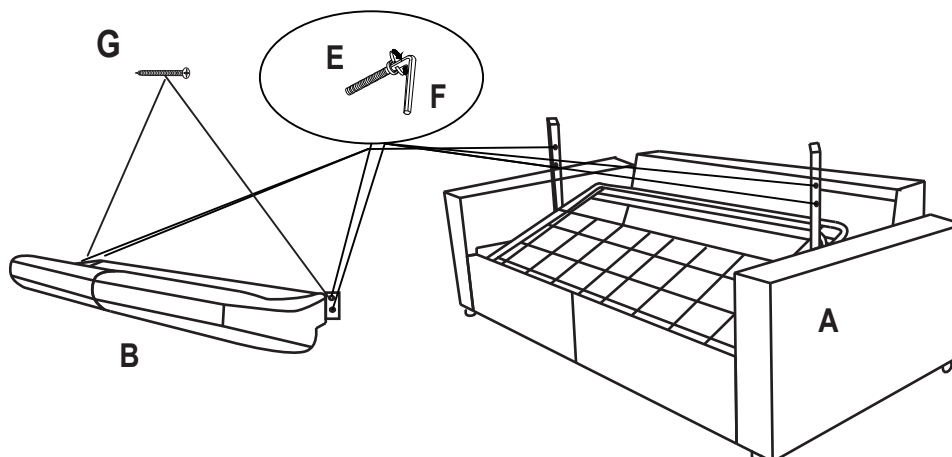
BC10252/ 10108 Assembly Instruction

Components List			Hardware List		
Serial No.	Description and Drawing	Quantity	Serial No.	Description and Drawing	Quantity
A		1 PCS	E		4PCS
B		1 PCS	F		1PCS
C		2 PCS	G		2PCS
D		4PCS			

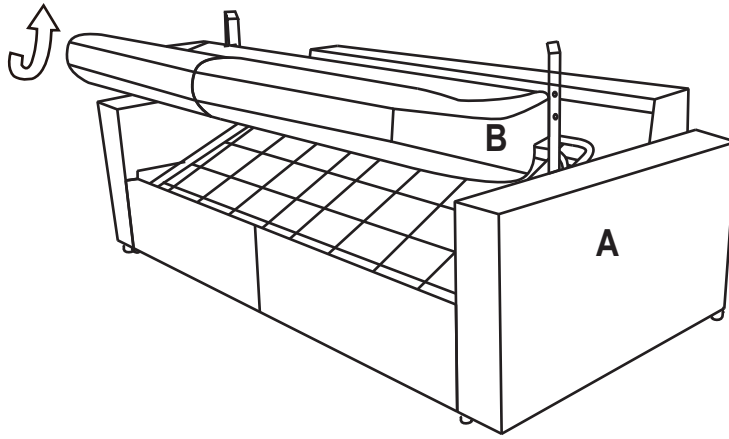
Step 1



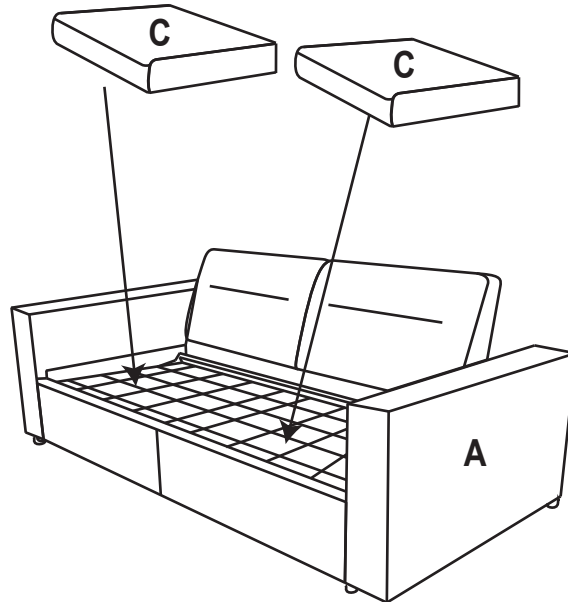
Step 2



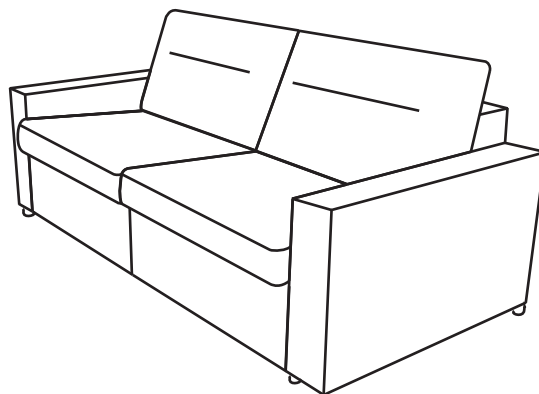
Step 3



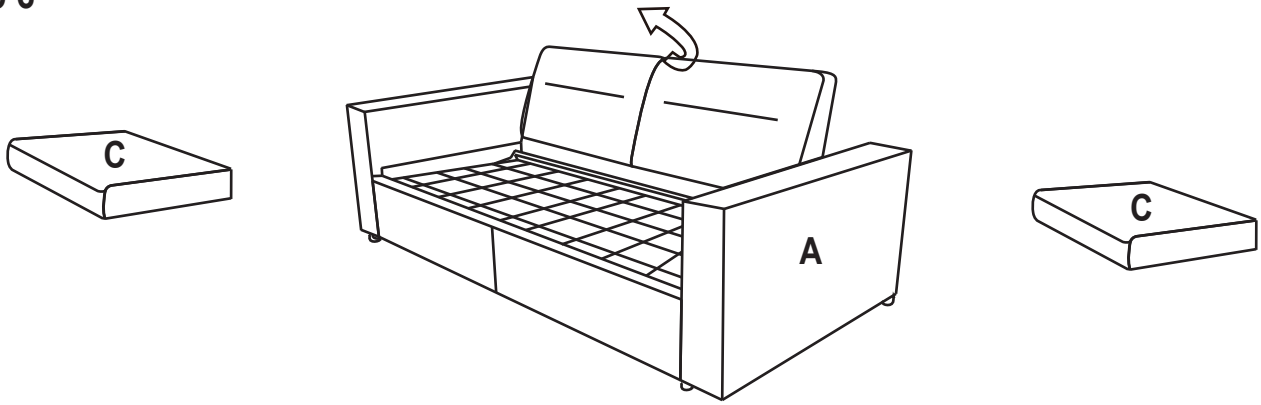
Step 4



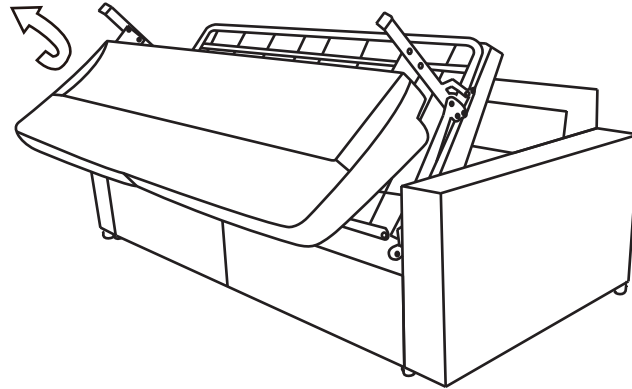
Step 5



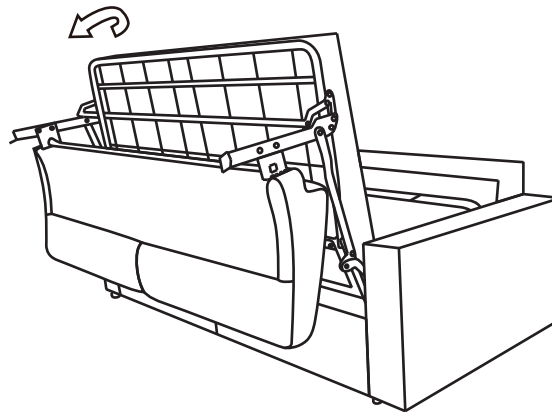
Step 6



Step 7



Step 8



Step 9

