



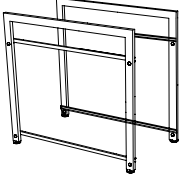
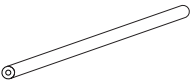
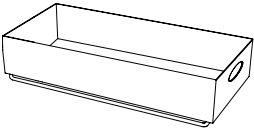
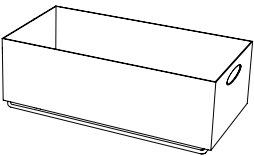


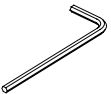
KCH-09604

2-tier kitchen organizer



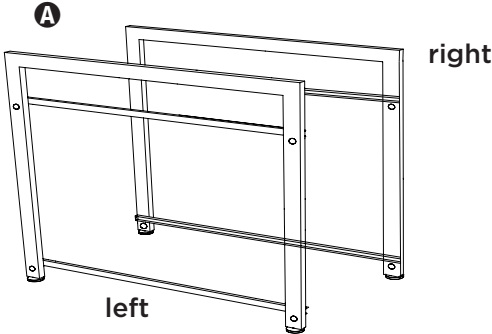
9.84" L x 15.34" W x 14.96" H

PARTS LIST

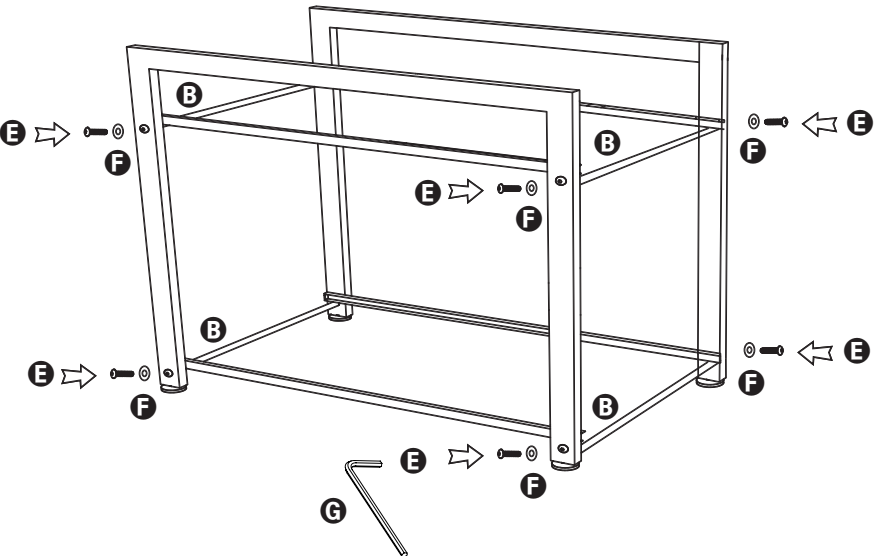
PART/ILLUSTRATION	(QTY)	DESCRIPTION
A 	(2)	frames
B 	(4)	support bars
C 	(1)	top drawer
D 	(1)	bottom drawer
E 	(8)	truss head, hex socket screws (M4 x 24mm)
F 	(8)	washers
G 	(1)	hex wrench

ASSEMBLY

1 Position shelf bracket inwards.

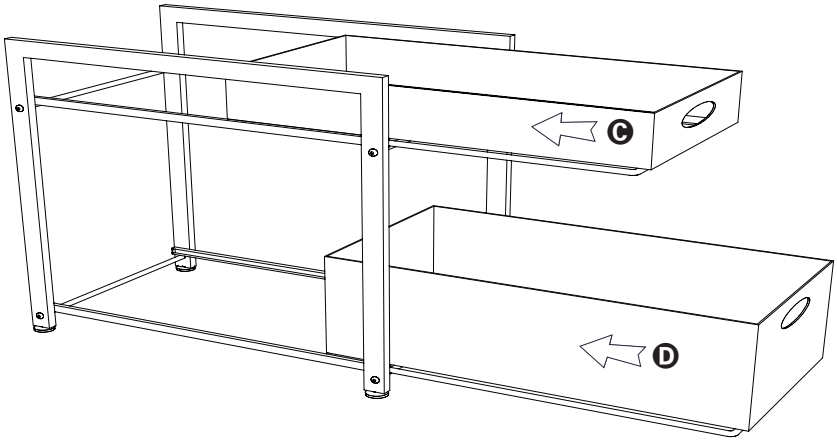


2 Install support bars with washers and screws.



3

Add drawers on the shelf brackets.



Honey-Can-Do International

5300 St. Charles Road, Berkeley, IL 60163 USA

877.242.2636 | honeycando.com | support@honeycando.com

©2021 Honey-Can-Do International, LLC | All Rights Reserved

Visit www.youtube.com/myhoneycando to watch our assembly videos.

210513