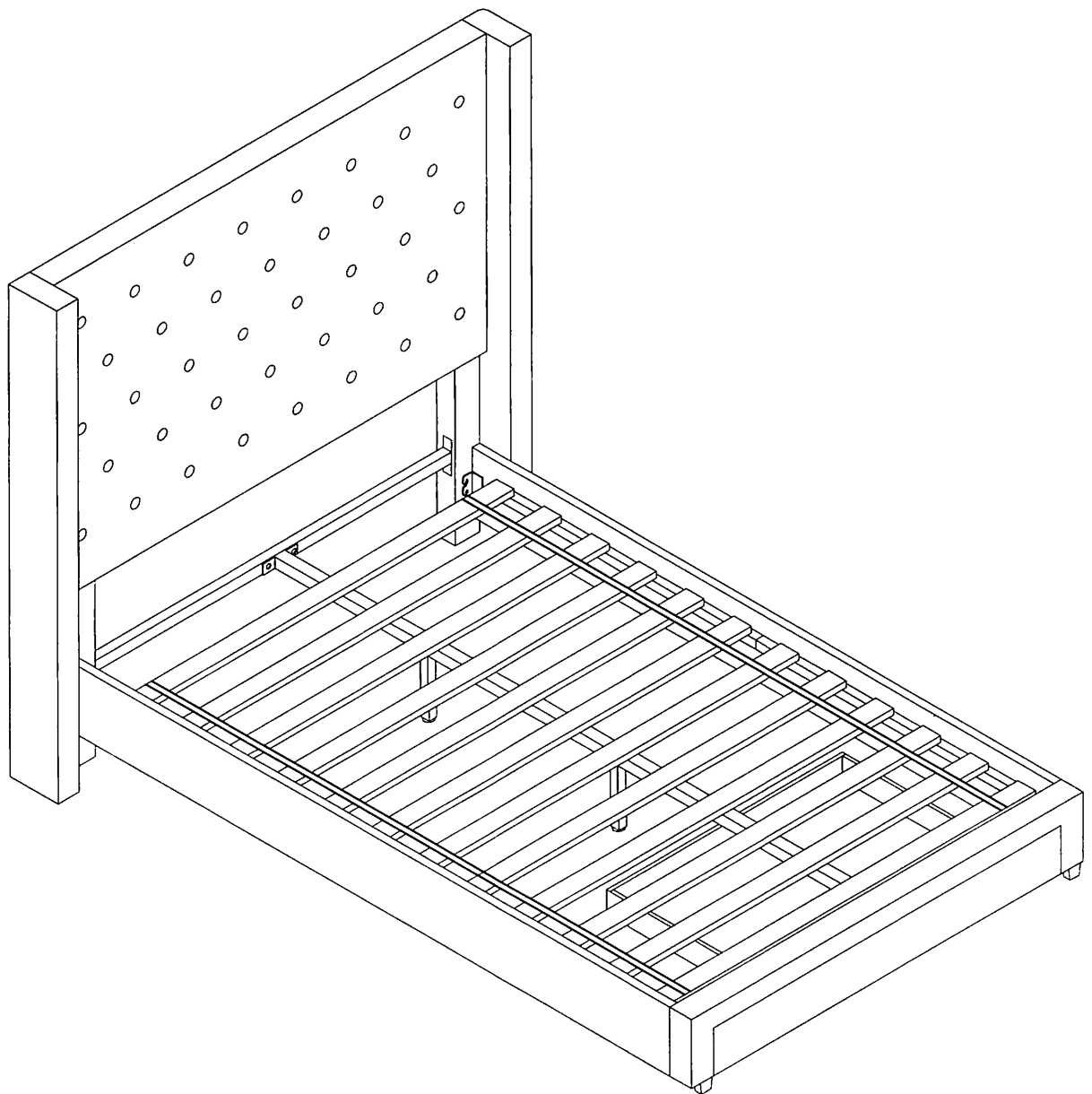


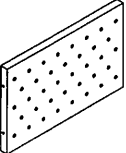
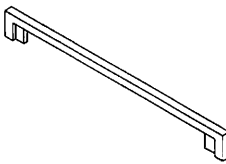
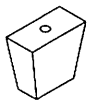
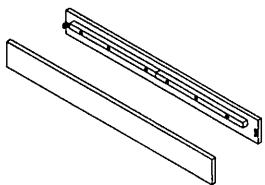
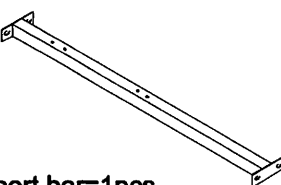
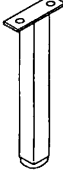
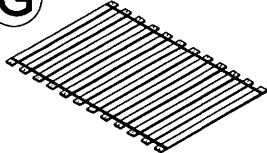

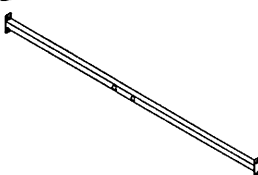

# Assembly Instruction

ITEM NO.: BED00053 -QUEEN/FULL


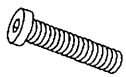







**IMPORTANT: PLACE ALL PARTS ON A CLEAN AND SMOOTH SURFACE SUCH AS A RUG OR CARPETTO AVOID THE PARTS FROM BEING SCRATCHED KINDLY FOLLOW THE ASSEMBLY INSTRUCTIONS STEP DO NOT TIGHTEN ALL SCREWS UNTIL THE BED IS FULLY SET-UP**



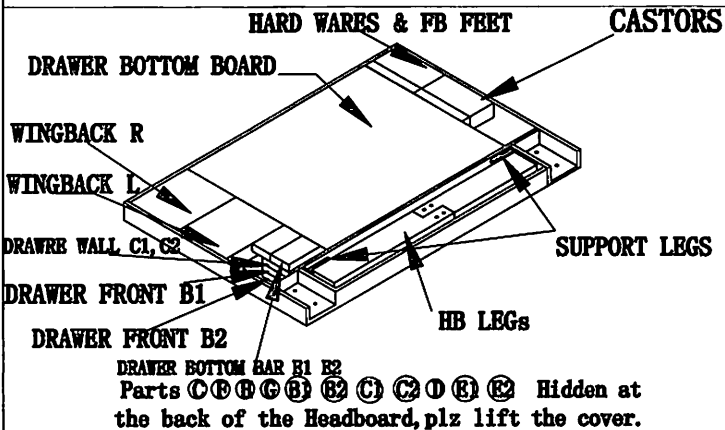
# PARTS LIST:

<p><b>A</b></p>  <p>Headboard=1pc</p>	<p><b>B</b></p>  <p>Footboard=1pc</p>	<p><b>C</b></p>  <p>FB Feet=2pcs</p>	<p><b>D</b></p>  <p>Siderail=2pcs</p>
<p><b>E</b></p>  <p>Support bar=1pcs</p>	<p><b>F</b></p>  <p>Support leg=2pcs</p>	<p><b>G</b></p>  <p>Slats=1units</p>	<p><b>H</b></p>  <p>HB legs=2pcs</p>
<p><b>I</b></p>  <p>Crossband=1pc</p>	<p><b>J</b></p>  <p>Wing L&amp;R=2pcs</p>		

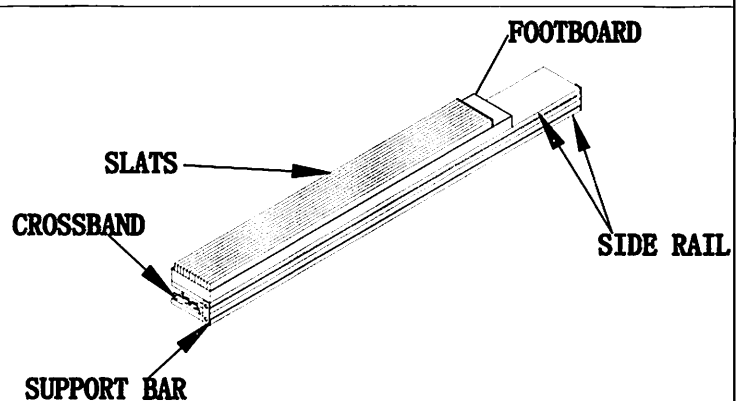
# HARDWARE LIST:

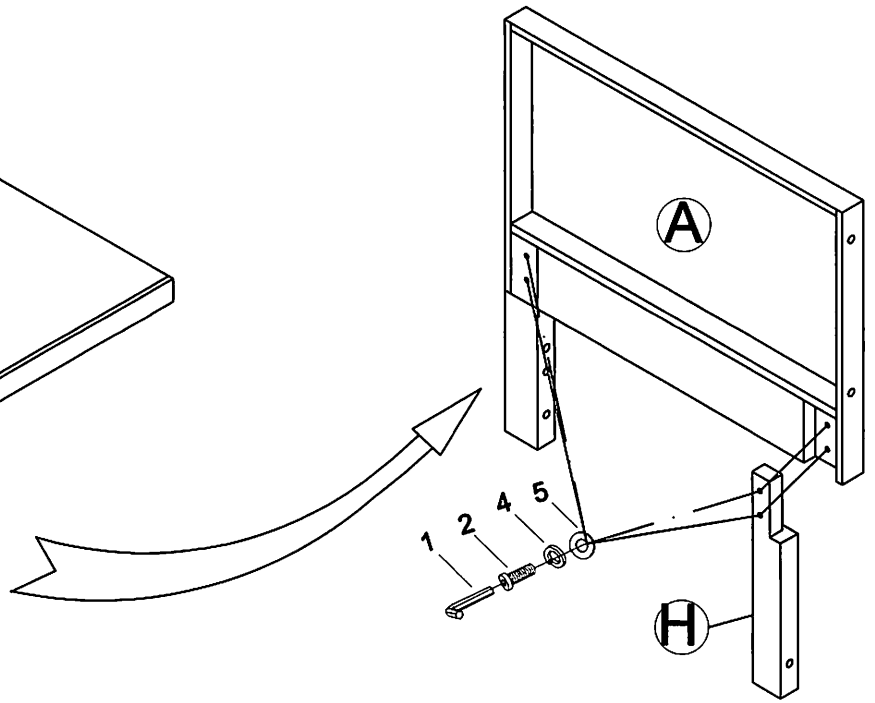
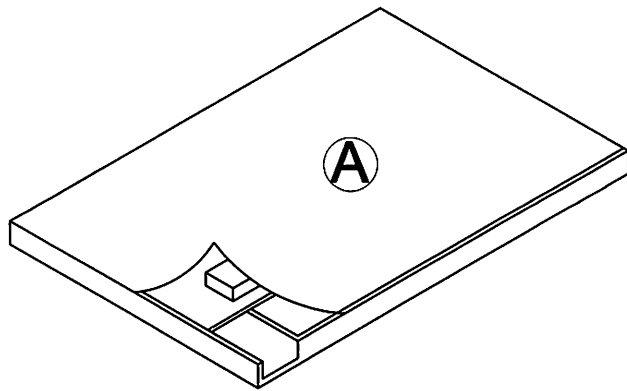
<p><b>1</b></p> <p>Allen Key <math>\varnothing 5/16"</math> =1pc</p> 	<p><b>2</b></p> <p>Bolt <math>\varnothing 5/16" \times 2"</math> L=14pcs</p> 	<p><b>3</b></p> <p>Bolt <math>\varnothing 5/16" \times 1-1/2"</math> L=14pcs</p> 
<p><b>4</b></p> <p>Spring Washer=26pcs</p> 	<p><b>5</b></p> <p>Flat Washer <math>\varnothing 5/16" \times \varnothing 19\text{mm}</math> =60pcs</p> 	<p><b>6</b></p> <p>Screw 10mm <math>\times 1-1/4"</math> L=28pcs</p> 
<p><b>7</b></p> <p>Nut=6pcs</p> 	<p><b>8</b></p> <p>Wrench=1pc</p> 	<p><b>9</b></p> <p>Bolt <math>\varnothing 5/16" \times 4"</math> L= 2 pcs</p> 

## BOX 1/2 CONTENTS



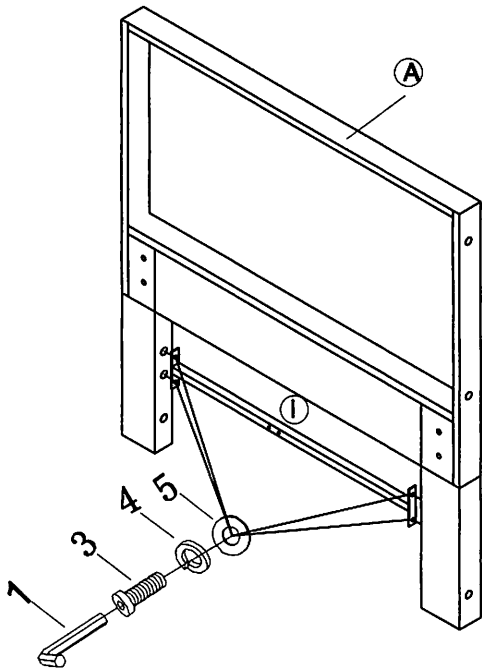
## BOX 2/2 CONTENTS



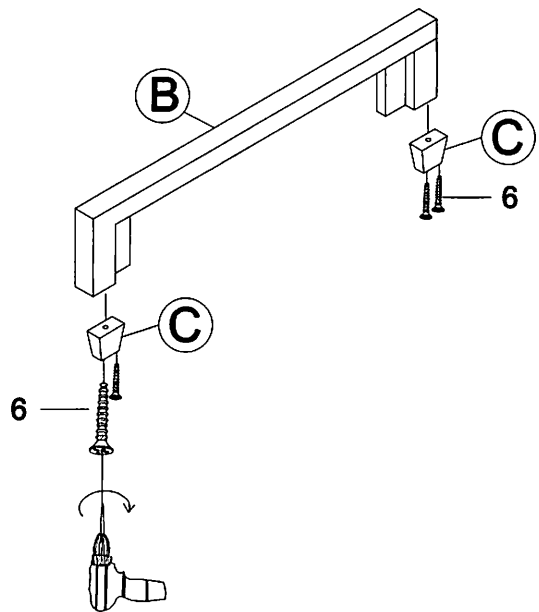


**WINGBACKS, HB LEGS,  
HARDWARES(2 PACKAGES),  
SUPPORT LEGS, FB  
FEET,B1,B2,C1,C2,D,E1,E2 HIDDEN  
AT THE BACK OF THE  
HEADBOARD, PLZ LIFT THE  
COVER.**

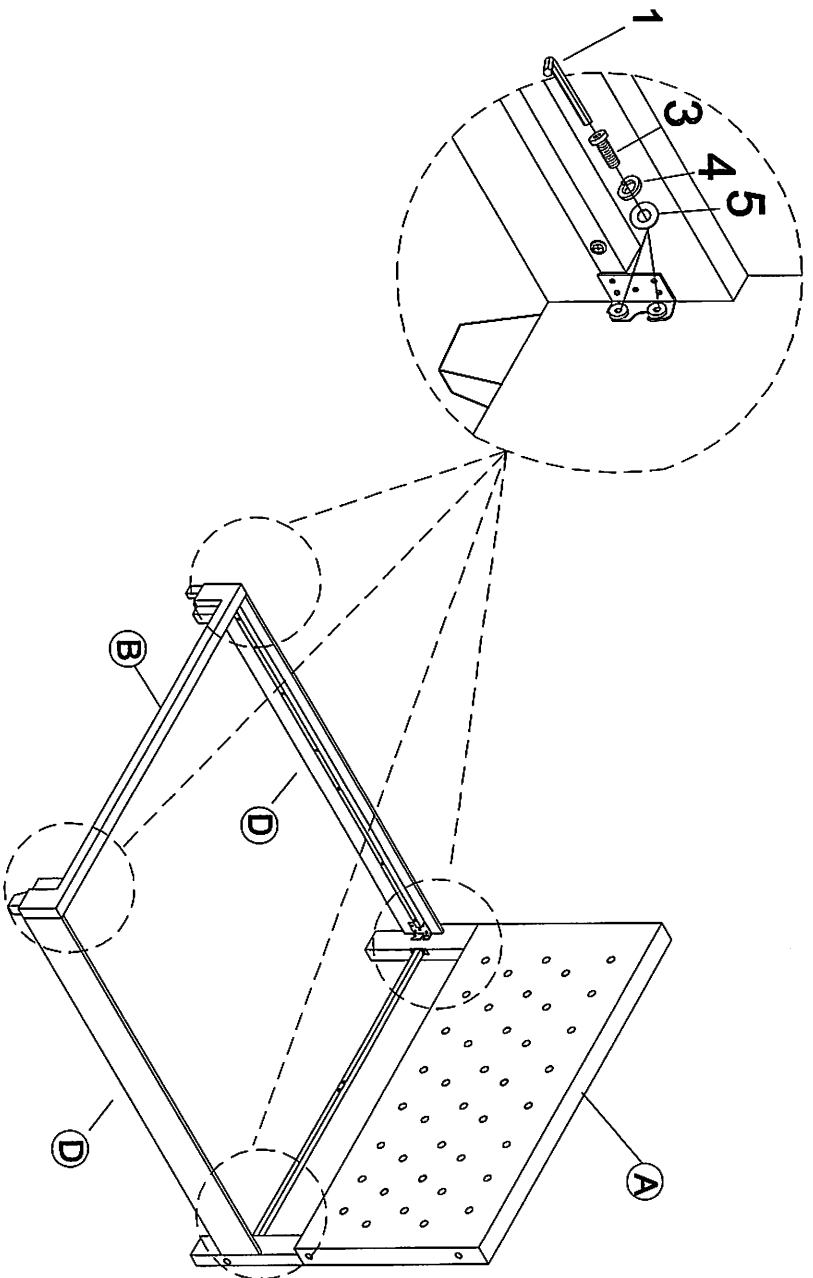
step 1



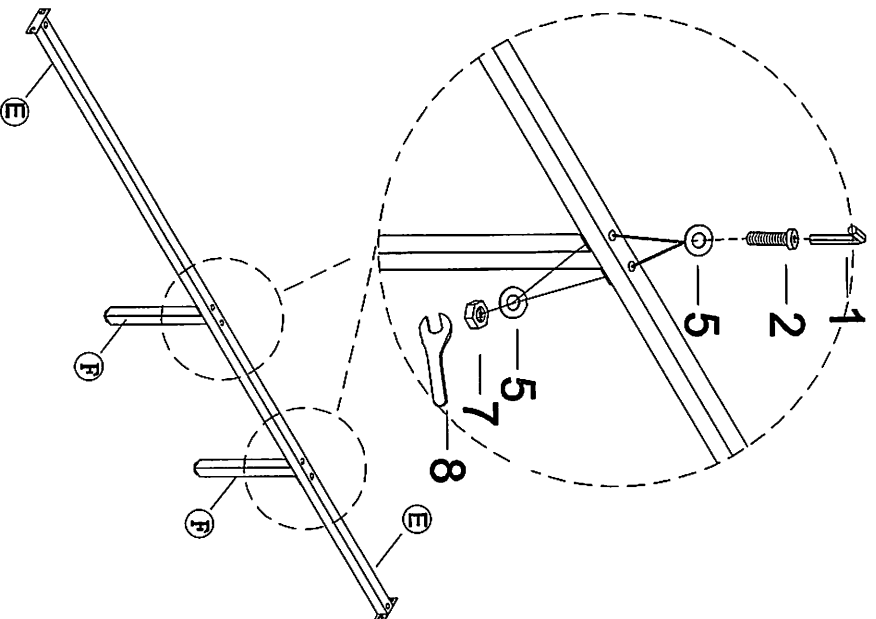
step 2



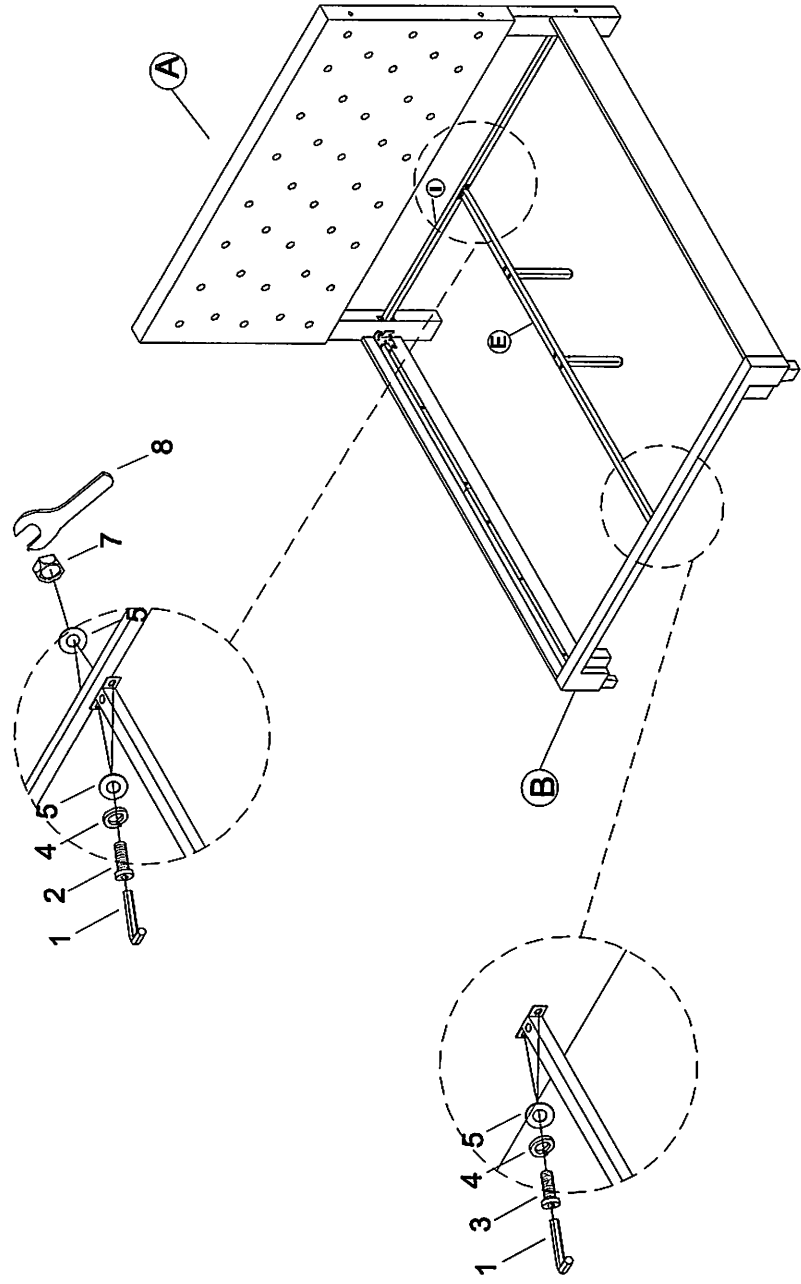
step 3



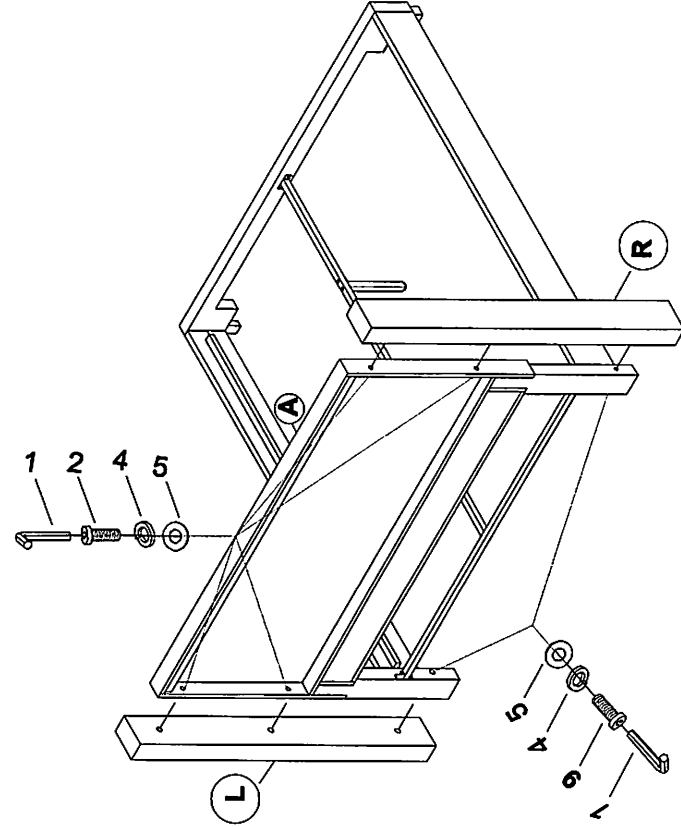
step 4



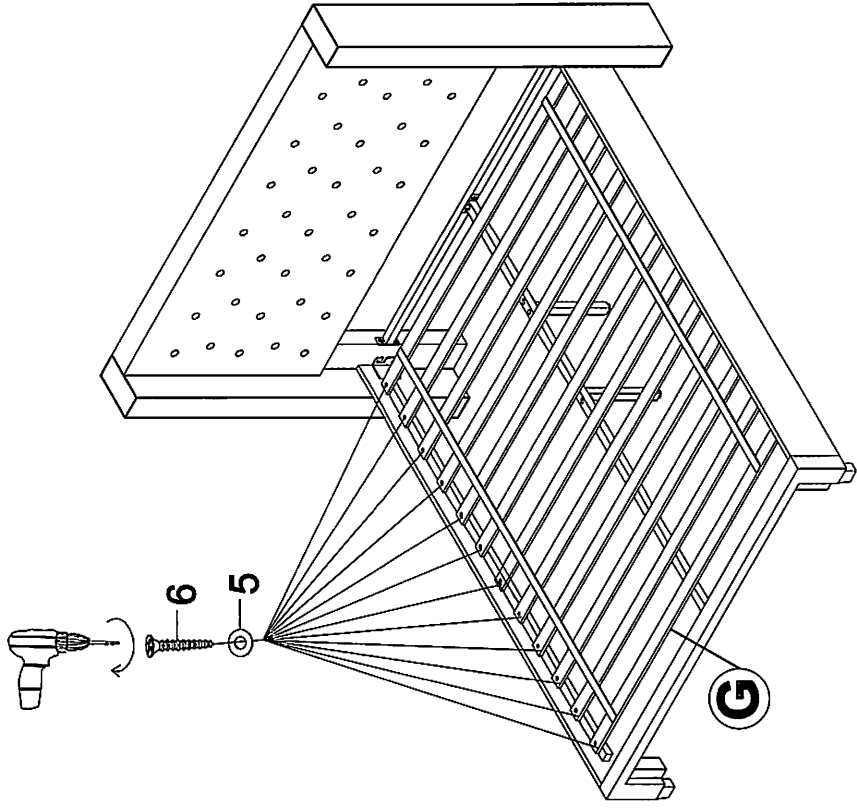
step 5



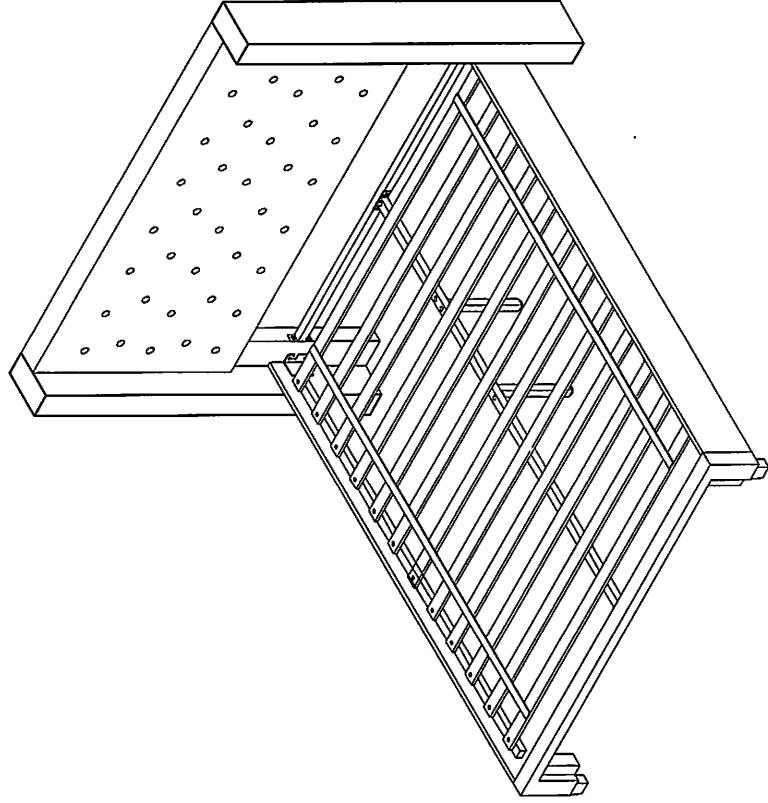
step 6



step 7



step 8

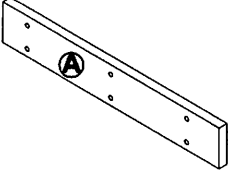
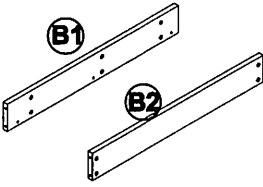
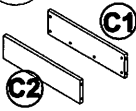
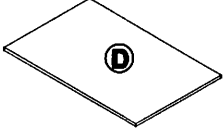
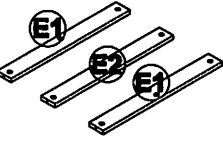


step 9





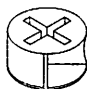
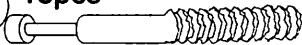
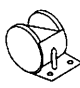
# Drawer Assembly Instruction

## 0053

### PARTS LIST:

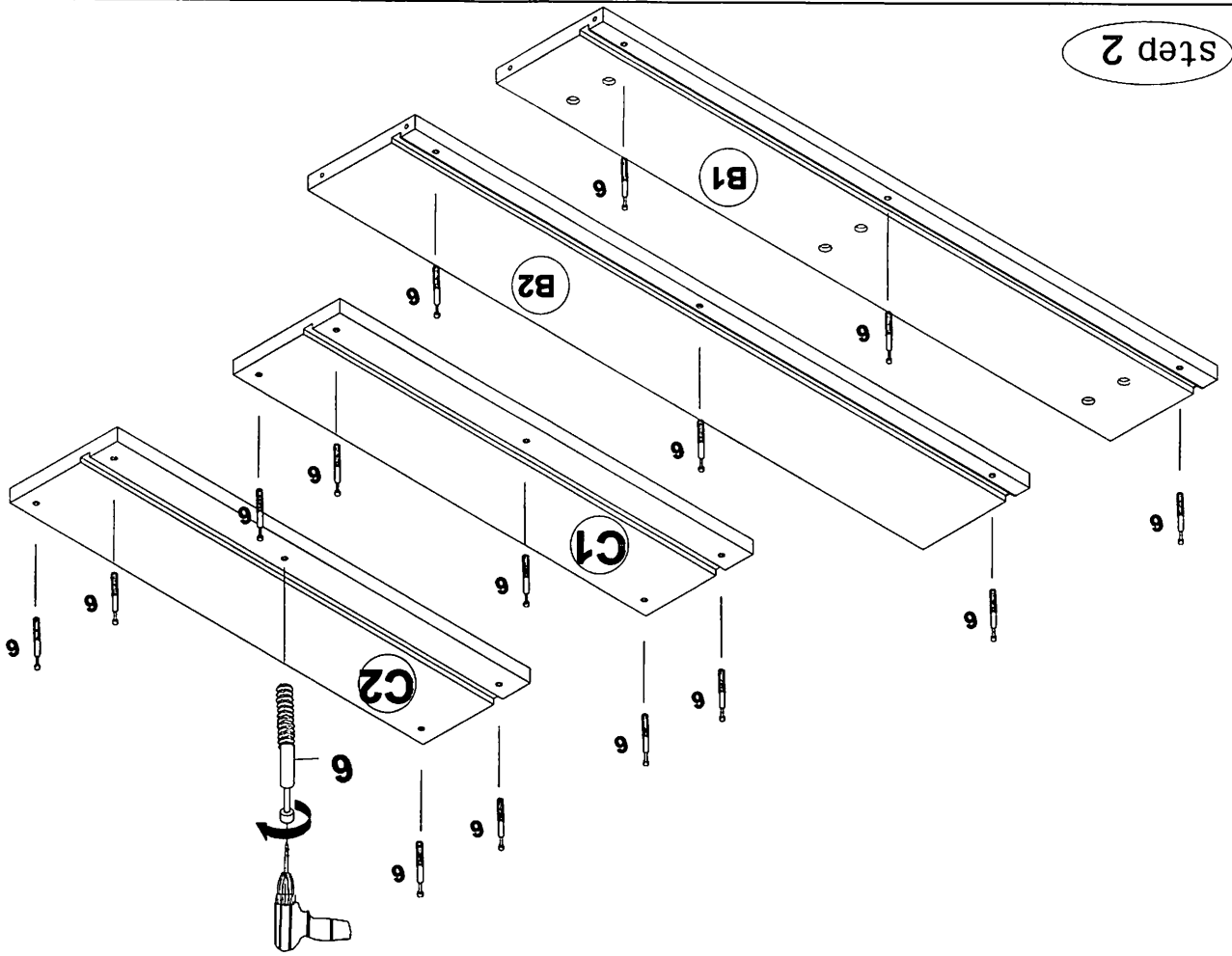
<p><b>A</b></p>  <p>Drawer wall front=1PC</p>	<p><b>B</b></p>  <p>Drawer front =2pcs</p>	<p><b>C</b></p>  <p>Drawer wall =2PCS</p>	<p><b>D</b></p>  <p>Drawer bottom board=1pc</p>
<p><b>E</b></p>  <p>Drawer bottom bar =3PCS</p>			

### HARDWARE LIST:

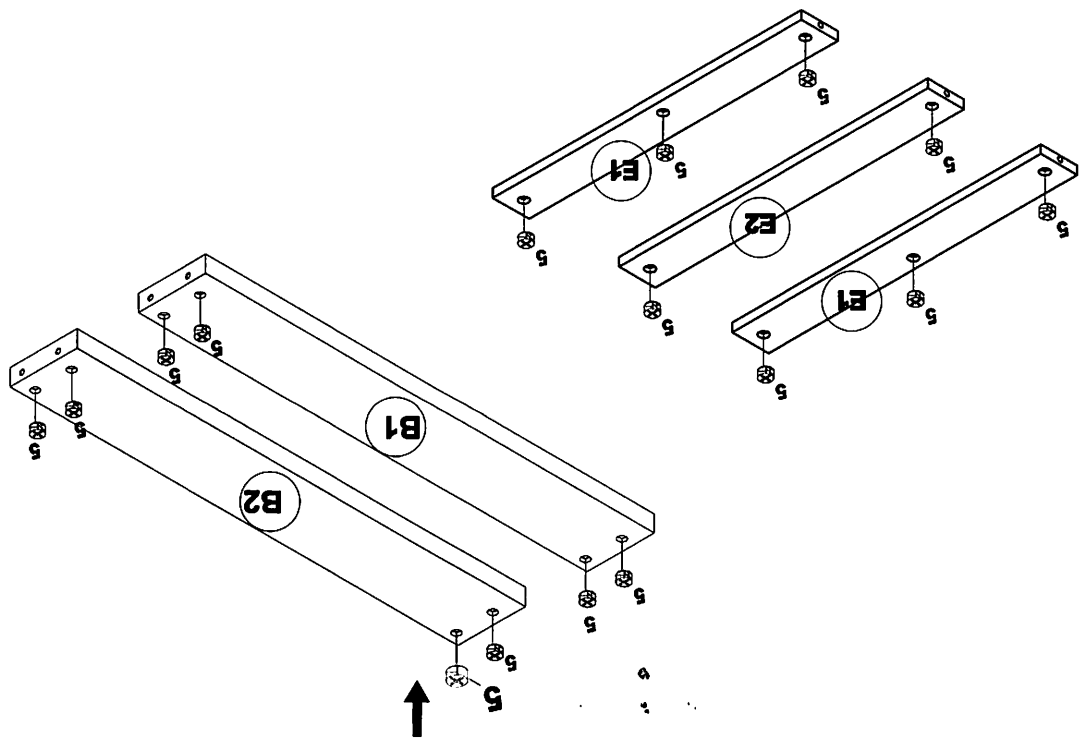
<p><b>1</b> Bolt <math>\varnothing</math> 1/4"X 1"L=6pcs</p> 	<p><b>2</b> Screw 10mmX 3/4"L=20pcs</p> 	<p><b>3</b> Allen Key <math>\varnothing</math> 1/4"=1pc</p> 
<p><b>4</b> Flat Washer <math>\varnothing</math> 1/4"X<math>\varnothing</math>16mm=6pcs</p> 	<p><b>5</b> 16pcs</p> 	<p><b>6</b> 16pcs</p> 
<p><b>7</b> Castor=5pcs</p> 		

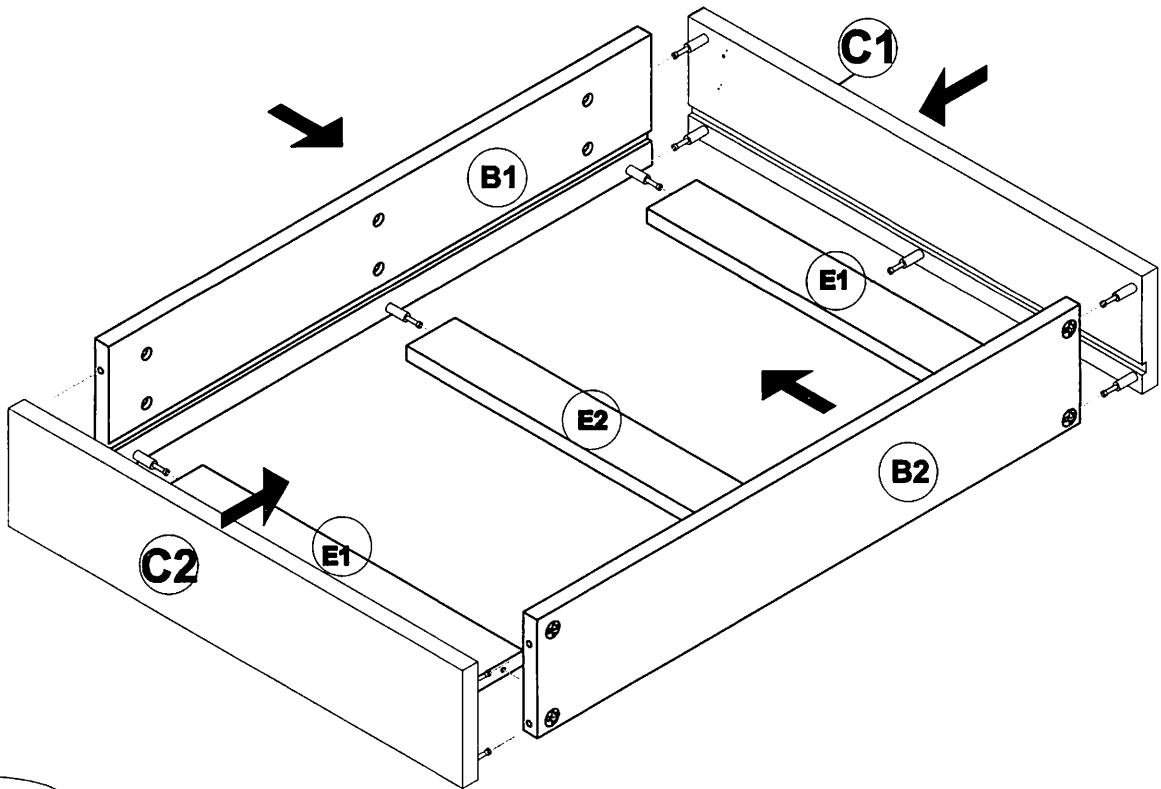
0023

step 2

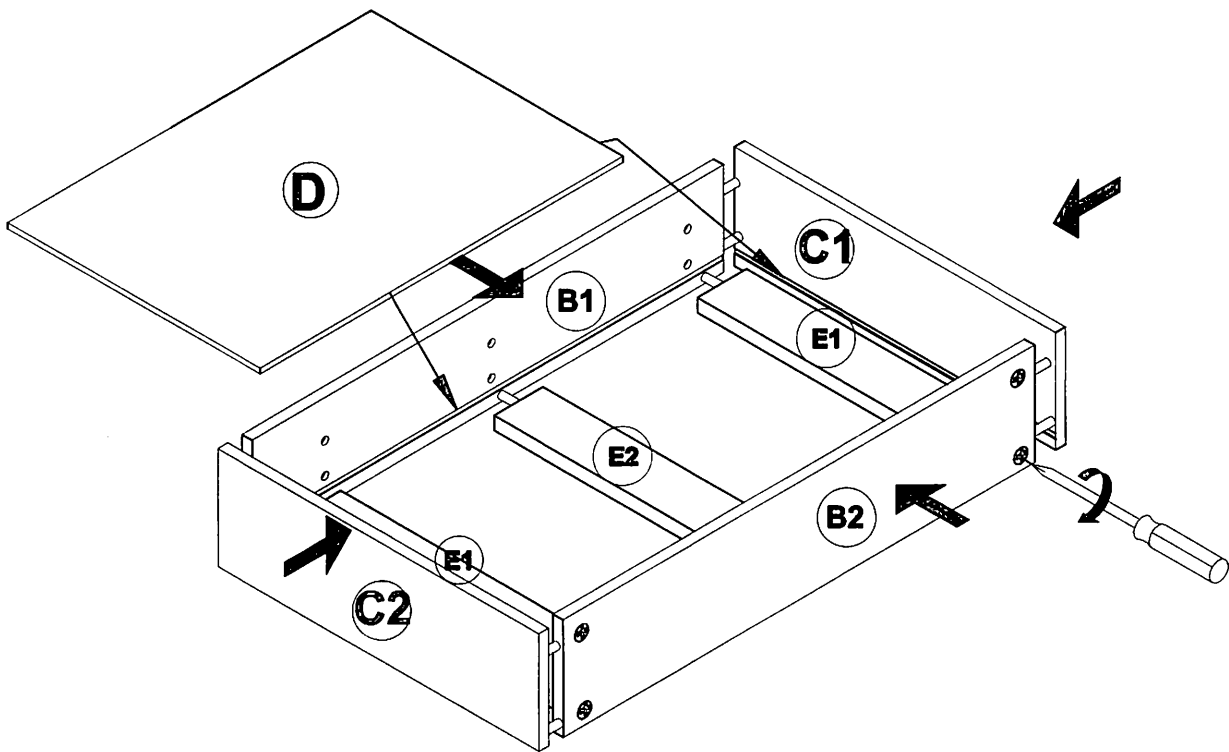


step 1

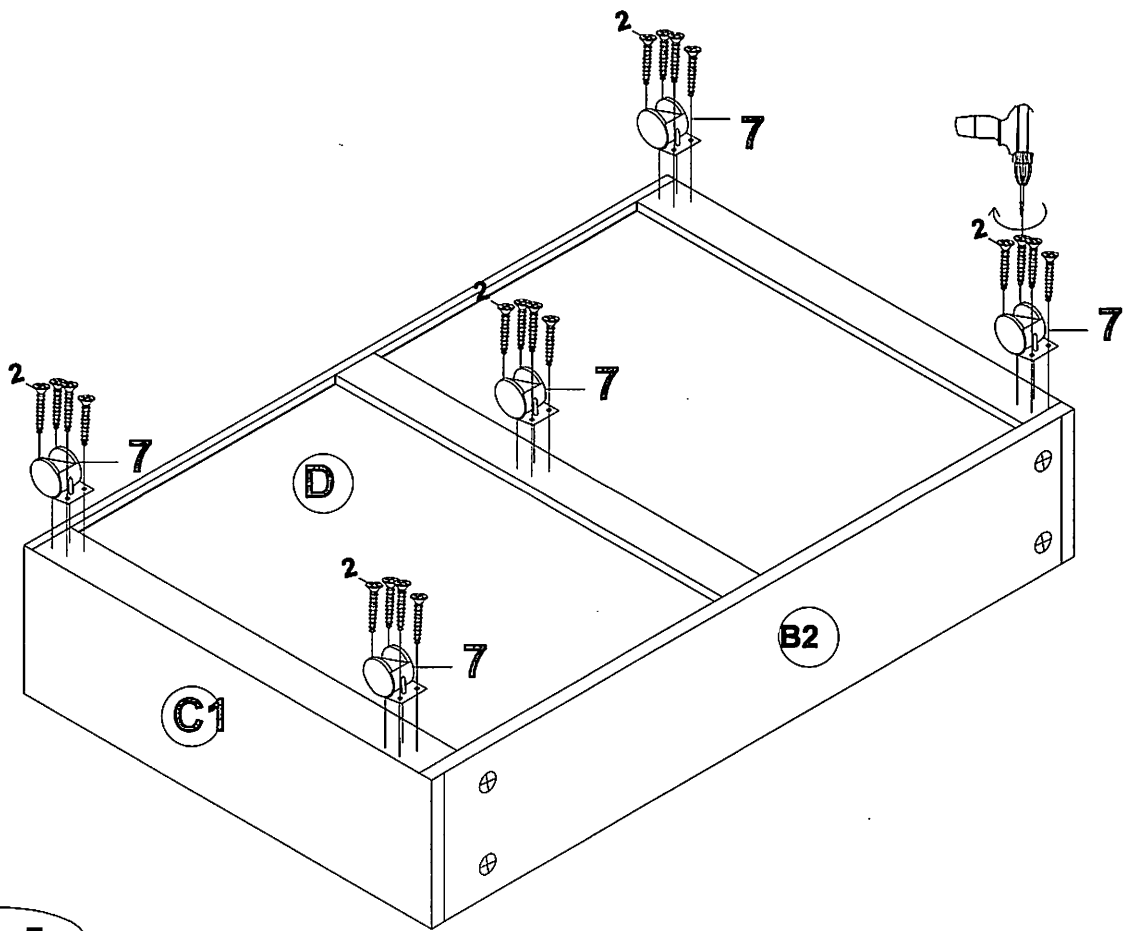




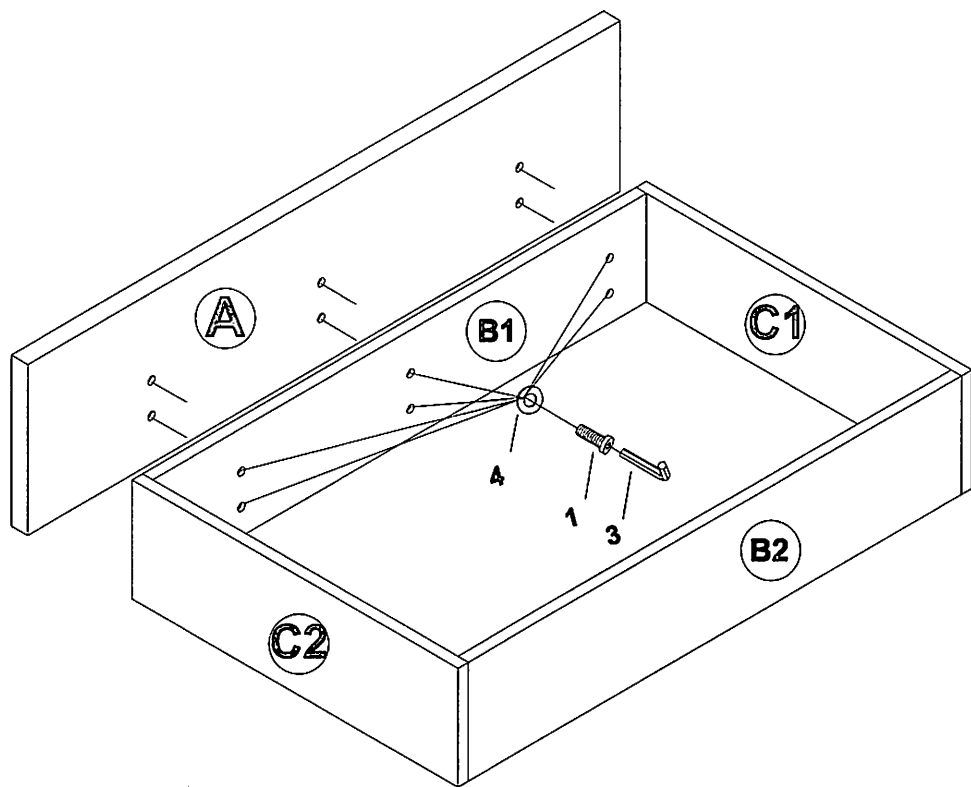
step 3



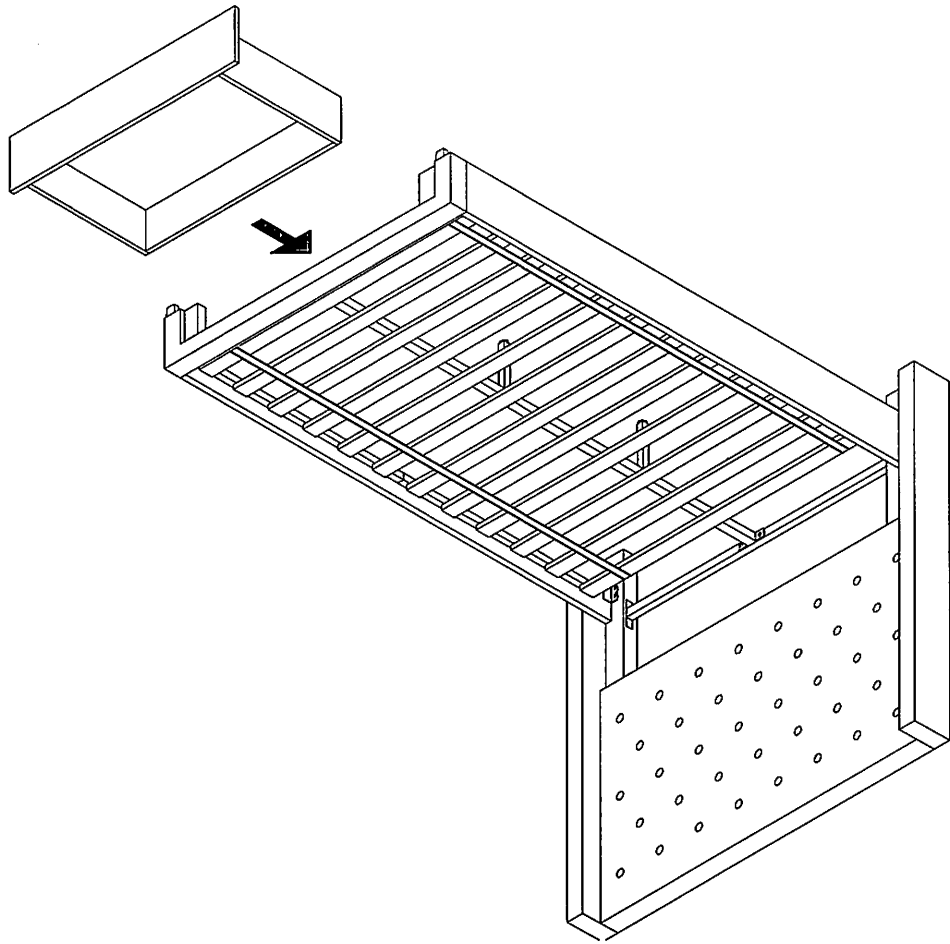
step 4



step 5



step 6



step 7

