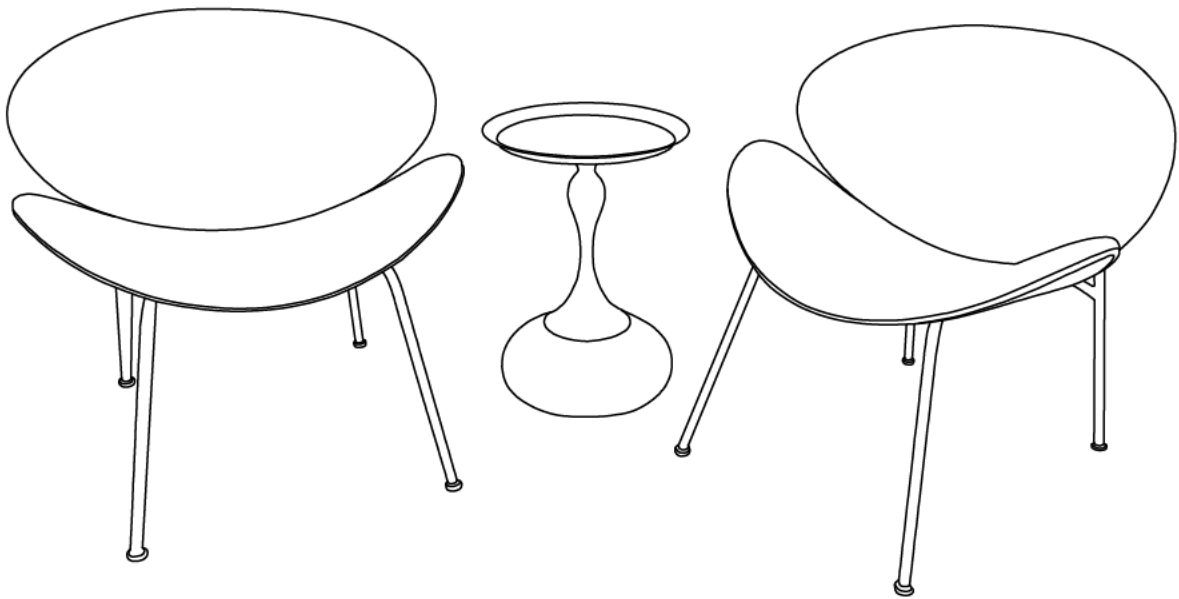


# User Manual

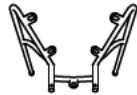

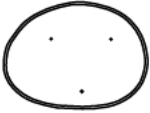
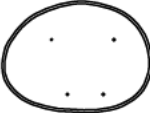





## Accent Chairs



# ASSEMBLY INSTRUCTION

Thank you for purchasing this product .Please take time to read and follow the instructions below.Check that you have all parts and hardware before assembly.Parts apparently missing are often found in the packing materials.If you do not have all the parts listed,have your dealer contact us and they will be sent to you immediately.

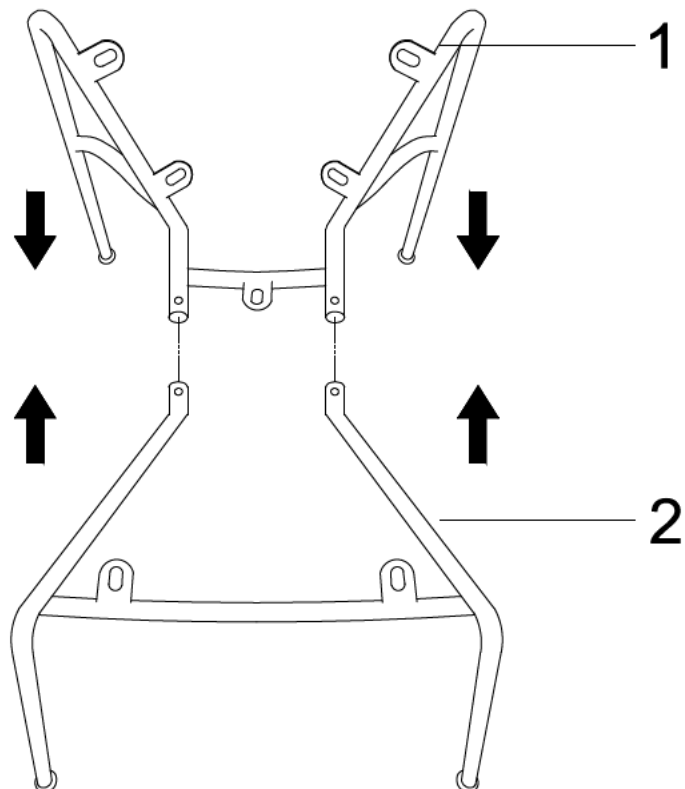
## Parts List

Label	Picture	Dedcription	QTY
①		BACK FRAME	2pcs
②		SEAT FRAME	2pcs
③		SEAT CUSHION	2pcs
④		BACK CUSHION	2pcs
⑤		TABLETOP	1pcs
⑥		METAL PILLAR	1pcs
⑦		ROUND BASE	1pcs
⑧		BASE STABILIZER	1pcs
⑨		CONNECTION ROD	1pcs

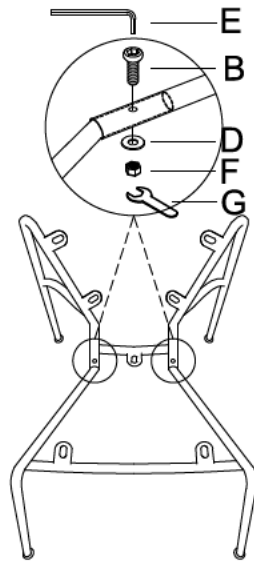
# Hardware

Label	Picture	Description	QTY
Ⓐ	Bolt 1/4"x7/8"		14+1 PCS Extra
Ⓑ	Bolt 1/4"x1-3/8"		4+1 PCS Extra
Ⓒ	SPRING WASHER 1/4"		14+1 PCS Extra
Ⓓ	FLAT WASHER 1/4"x22		18+1 PCS Extra
Ⓔ	ALLEN KEY		1 PC
Ⓕ	NUT		4+1 PCS Extra
Ⓖ	WRENCH		1 PC
Ⓗ	FLAT WASHER M10x25		1 PC
Ⓙ	NUT		1 PC

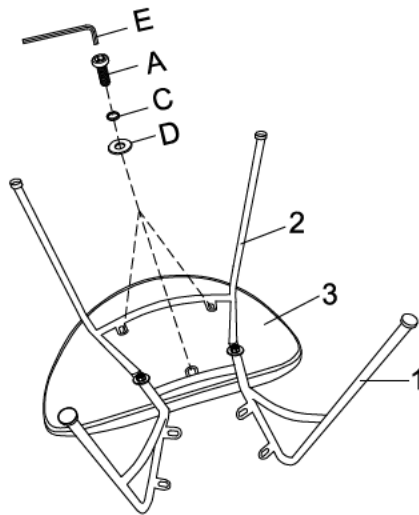
## Step 1



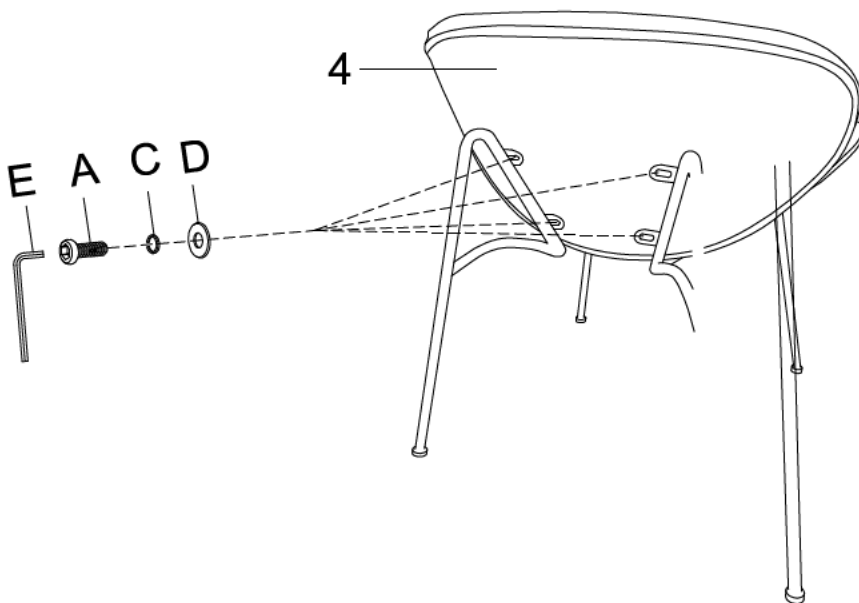
## Step 2



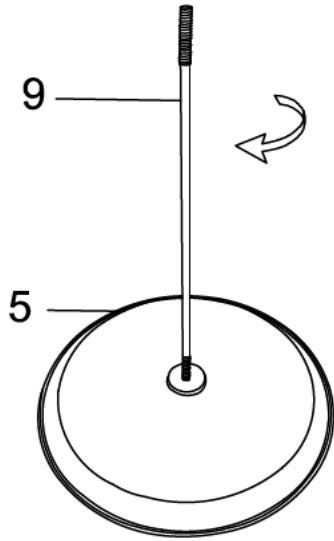
## Step 3



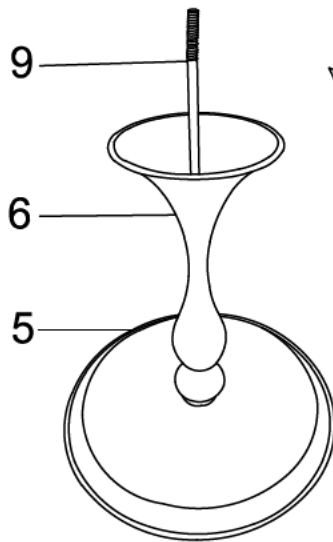
## Step 4



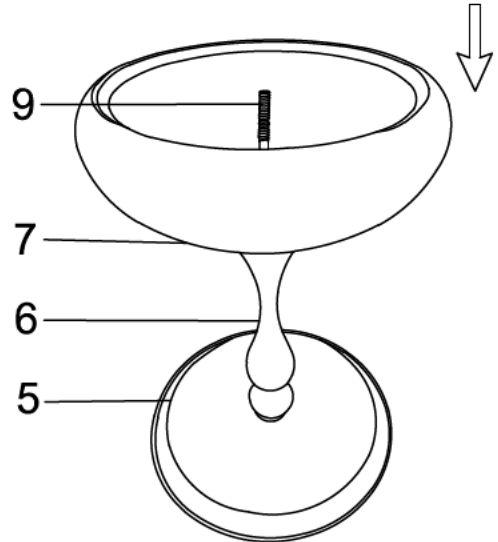
Step 5



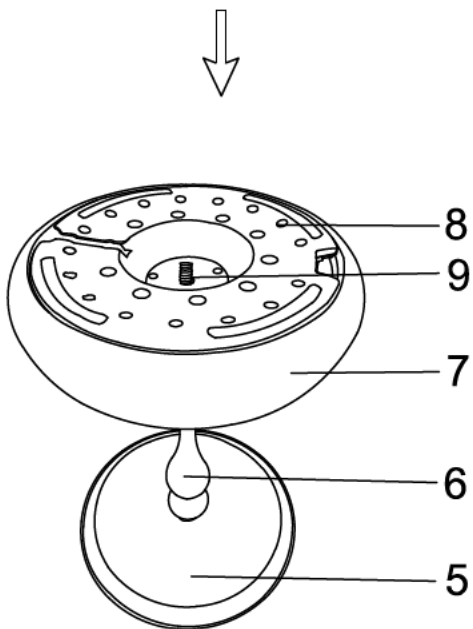
Step 6



Step 7



Step 8



Step 9

